

US00D966036S

(12) **United States Design Patent** (10) **Patent No.:** **US D966,036 S**  
**Hagger** (45) **Date of Patent:** **\*\* Oct. 11, 2022**

(54) **LID FOR FOOD STORAGE CONTAINER**

D232,411 S 8/1974 Douglas et al.  
3,974,758 A 8/1976 Stone, Jr.  
D256,628 S 9/1980 Fireman  
4,498,375 A 2/1985 Bedini  
4,718,566 A 1/1988 Wunder  
4,721,214 A 1/1988 Wandel

(71) Applicant: **William Evans Retail LTD**, London (GB)

(72) Inventor: **Sam Hagger**, London (GB)

(73) Assignee: **William Evans Retail LTD**, London (GB)

(\*\*) Term: **15 Years**

(21) Appl. No.: **29/725,879**

(22) Filed: **Feb. 27, 2020**

(30) **Foreign Application Priority Data**

Nov. 11, 2019 (GB) ..... 6076114

(51) **LOC (13) Cl.** ..... **07-02**

(52) **U.S. Cl.**  
USPC ..... **D7/392.1; D7/391**

(58) **Field of Classification Search**  
USPC ..... D7/391, 392, 392.1, 393, 397, 613, 615,  
D7/629; D9/414, 424-432, 435,  
D9/451-452; 26/7  
CPC ..... A47J 36/027; A47J 36/06; A47J 37/10;  
A47J 37/101; B65D 21/0209; B65D  
43/00; B65D 43/02; B65D 43/022; B65D  
43/161; B65D 43/162; B65D 45/00;  
B65D 45/16; B65D 45/18; B65D 45/22;  
B65D 51/16; B65D 51/1683; B65D  
51/1688; B65D 51/1694; B65F 1/1615  
See application file for complete search history.

(56) **References Cited**

**U.S. PATENT DOCUMENTS**

2,083,632 A 6/1937 Beck  
3,172,631 A 3/1965 Friedrichs  
3,355,045 A 11/1967 Douglas  
3,450,313 A 6/1969 Jonas  
3,823,967 A 7/1974 Knize

**FOREIGN PATENT DOCUMENTS**

CN 305865154 6/2020  
CN 306173250 11/2020

(Continued)

**OTHER PUBLICATIONS**

Veken Coffee Canister, Airtight Stainless Steel Kitchen Food Storage Container. Date Reviewed on Amazon.com May 7, 2019. <https://www.amazon.com/dp/B07RDQF65N/ref> (Year: 2019).\*

(Continued)

*Primary Examiner* — Ricky Pham  
(74) *Attorney, Agent, or Firm* — Brooks Kushman P.C.

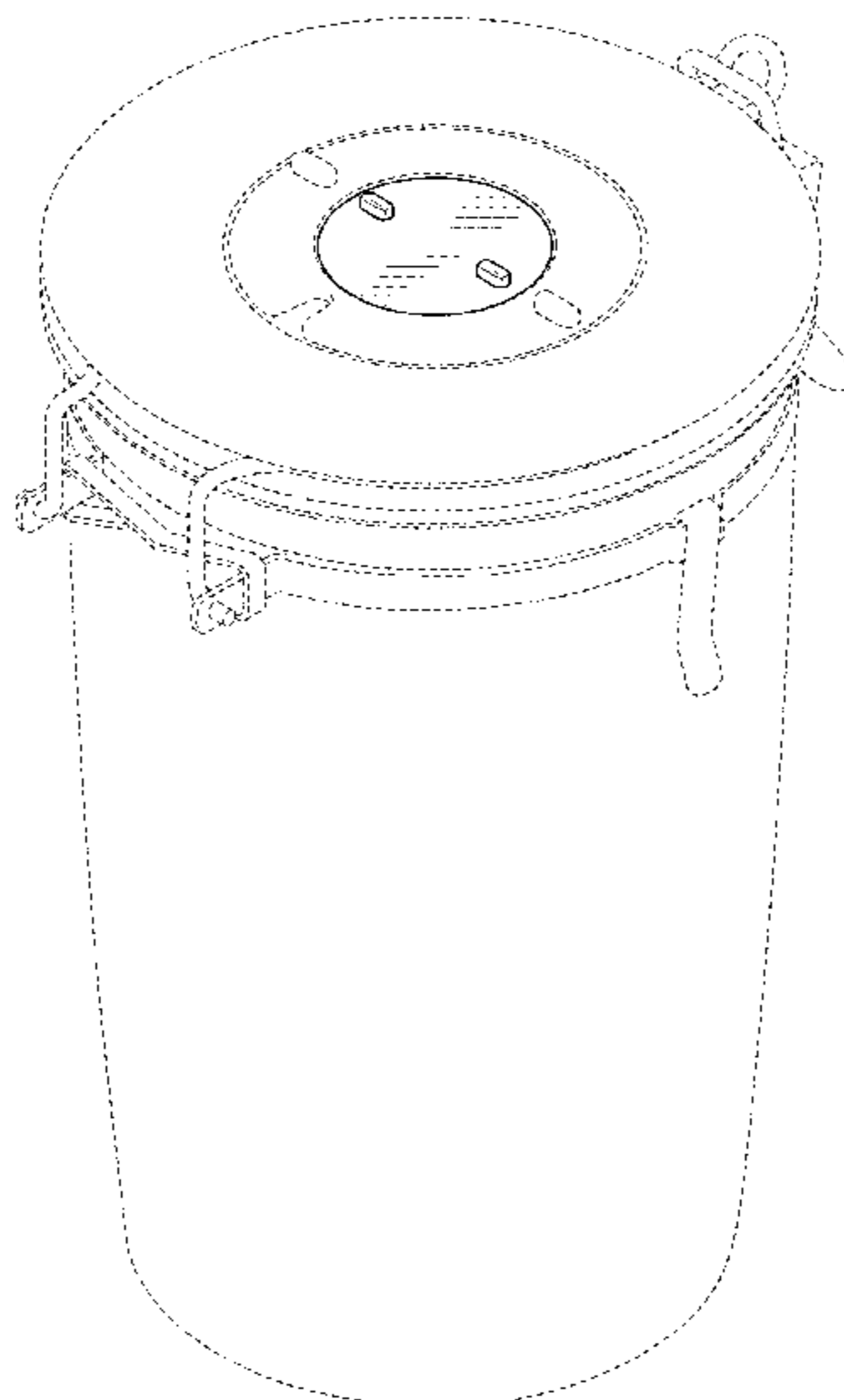
(57) **CLAIM**

The ornamental design for the lid for food storage container, as shown and described.

**DESCRIPTION**

FIG. 1 is an upper rear elevation view of a lid for food storage container;  
FIG. 2 is a top plan view thereof;  
FIG. 3 is a side elevation view thereof;  
FIG. 4 is a front elevation view thereof;  
FIG. 5 is a side elevation view thereof opposite the view in FIG. 3; and,  
FIG. 6 is a rear elevation view thereof.  
The broken lines in the drawings as shown in FIGS. 1-6 are directed to portions of the food storage container that are not considered part of the claimed ornamental design.

**1 Claim, 6 Drawing Sheets**



(56)

References Cited

U.S. PATENT DOCUMENTS

D300,495 S 4/1989 Minuti  
 D301,821 S 6/1989 Bartolo  
 D328,010 S 7/1992 Daenen et al.  
 D359,201 S 6/1995 Hung  
 D360,544 S 7/1995 Gauthier  
 D364,991 S 12/1995 Lee  
 D376,958 S 12/1996 Blanc  
 D379,573 S 6/1997 Lin  
 D381,872 S 8/1997 Lin  
 D424,219 S \* 5/2000 Toscano ..... D26/7  
 D444,245 S 6/2001 Klett et al.  
 D444,246 S \* 6/2001 Klett ..... D26/7  
 D447,010 S \* 8/2001 Liu ..... D7/629  
 D447,011 S \* 8/2001 Liu ..... D7/629  
 D447,388 S \* 9/2001 Liu ..... D7/613  
 D457,427 S 5/2002 Diaz  
 6,431,385 B1 \* 8/2002 Palmer ..... B65D 45/22  
 215/273  
 RE37,988 E 2/2003 Uss  
 D484,006 S \* 12/2003 Liu ..... D7/629  
 D488,340 S 4/2004 Zimmermann  
 6,792,848 B1 9/2004 Janky  
 D496,830 S 10/2004 Hockey  
 D498,974 S 11/2004 Hsieh  
 D503,430 S 3/2005 Chang  
 D511,653 S 11/2005 Oas  
 D511,940 S 11/2005 Kim  
 6,968,984 B2 11/2005 Mulle  
 D546,140 S 7/2007 Anzalone  
 D553,446 S 10/2007 Yang et al.  
 D557,076 S 12/2007 Wahl  
 D561,519 S 2/2008 Ranzoni  
 7,464,637 B1 12/2008 Lin  
 D651,475 S 1/2012 Lindsay et al.  
 D694,589 S 3/2013 Duvigneau  
 8,387,517 B2 3/2013 Geissler  
 D679,959 S 4/2013 Lane  
 D683,584 S 6/2013 Gross et al.  
 D696,593 S 12/2013 Farrow et al.  
 D742,248 S 3/2015 Burton  
 9,016,518 B2 4/2015 Poul et al.  
 D771,371 S 11/2016 Taylor  
 D803,006 S 11/2017 Min et al.  
 D813,087 S 3/2018 Siders

9,943,185 B2 4/2018 Chen  
 D833,832 S 11/2018 Spivey et al.  
 1,298,128 A1 3/2019 White  
 D861,408 S 10/2019 Hagger  
 D862,147 S 10/2019 Hagger  
 D884,436 S 5/2020 Lindsay et al.  
 D899,896 S 10/2020 Palmer  
 D908,465 S 1/2021 Chen  
 D909,820 S 2/2021 Koekkoek  
 D909,890 S 5/2021 Chung et al.  
 1,376,753 A1 5/2021 Febrey  
 2003/0012256 A1 1/2003 Burkholder  
 2004/0056027 A1 3/2004 Miller  
 2005/0161396 A1 7/2005 Chaput  
 2006/0011630 A1 1/2006 Mulle  
 2015/0122688 A1 5/2015 Dias et al.  
 2015/0245743 A1 9/2015 Rosenfeld  
 2018/0099793 A1 4/2018 Beber et al.

FOREIGN PATENT DOCUMENTS

CN 306692433 7/2021  
 CN 306701635 7/2021

OTHER PUBLICATIONS

Coffee Gator Coffee Canister, first available Jan. 7, 2020, Amazon, (online), (site visited Nov. 1, 2021), Available from <https://www.amazon.com/coffee-canisters-grounds-bean-storage-jar/dp/B07N7D4HWK> (2020).  
 Weck 26 oz. Canning Jar, Crate and Barrell, (online), (site visited Oct. 26, 2021), Available from <https://www.crateandbarrel.com/weck-26-oz.-canning-jar/s261346> (2021).  
 Non-Final Office Action dated Sep. 14, 2021 for U.S. Appl. No. 29/726,777, 15 pgs.  
 Non-Final Office Action dated Nov. 8, 2021 for U.S. Appl. No. 29/725,868, 15 pgs.  
 34 oz French Hermetic Glass Terrine, Le Parfait, containerstore.com, author unlisted, published on May 2, 2019 per wayback machine copyright 2021 The Container Store, Inc., online, site visited Aug. 12, 2021. Available at URL: <https://www.containerstore.com/s/kitchen/food-storage/le-parfait-french-hermetic-glass-terrines/12d?productId=10005560> (Year: 2019), 8 pgs.

\* cited by examiner

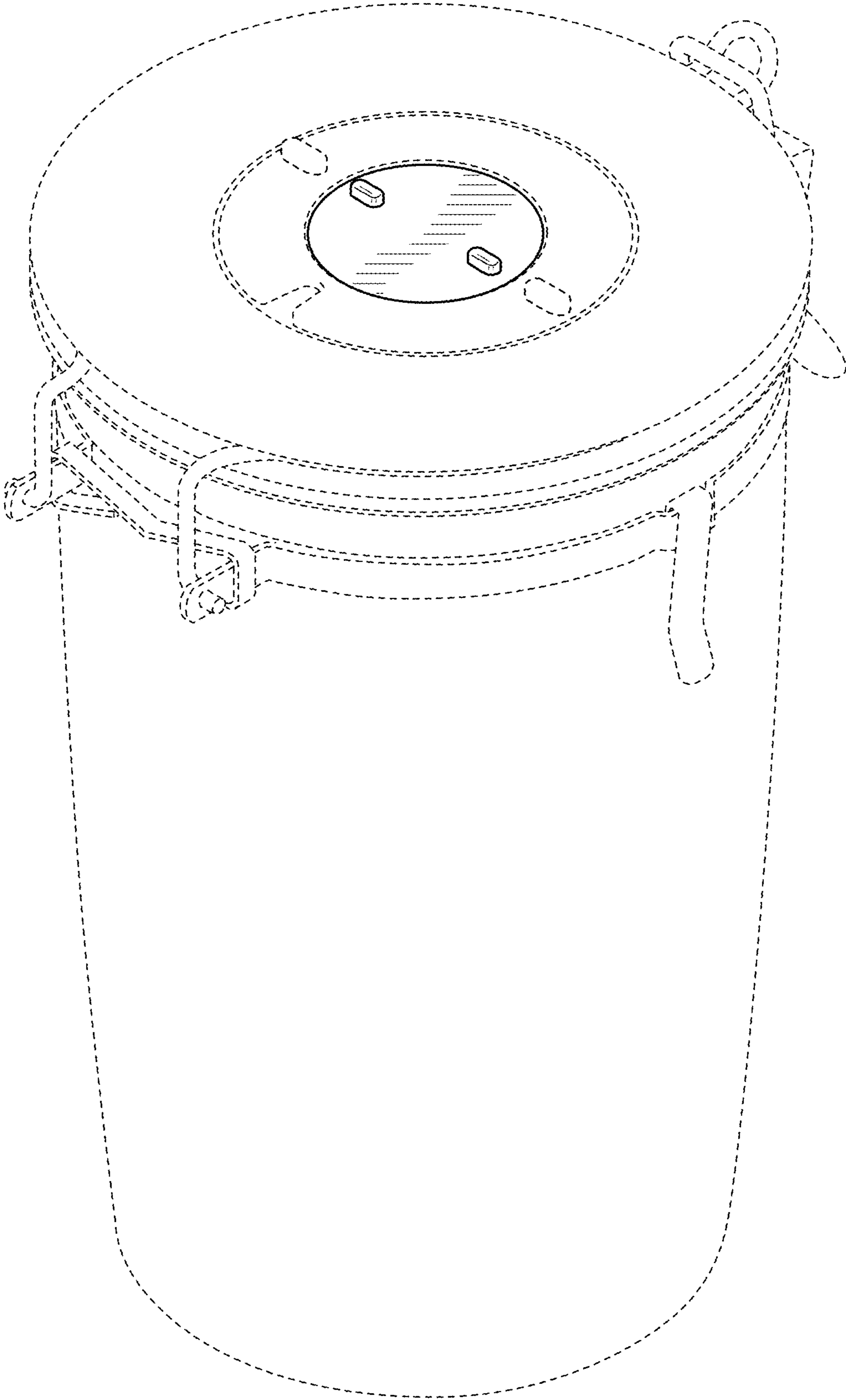


FIG. 1

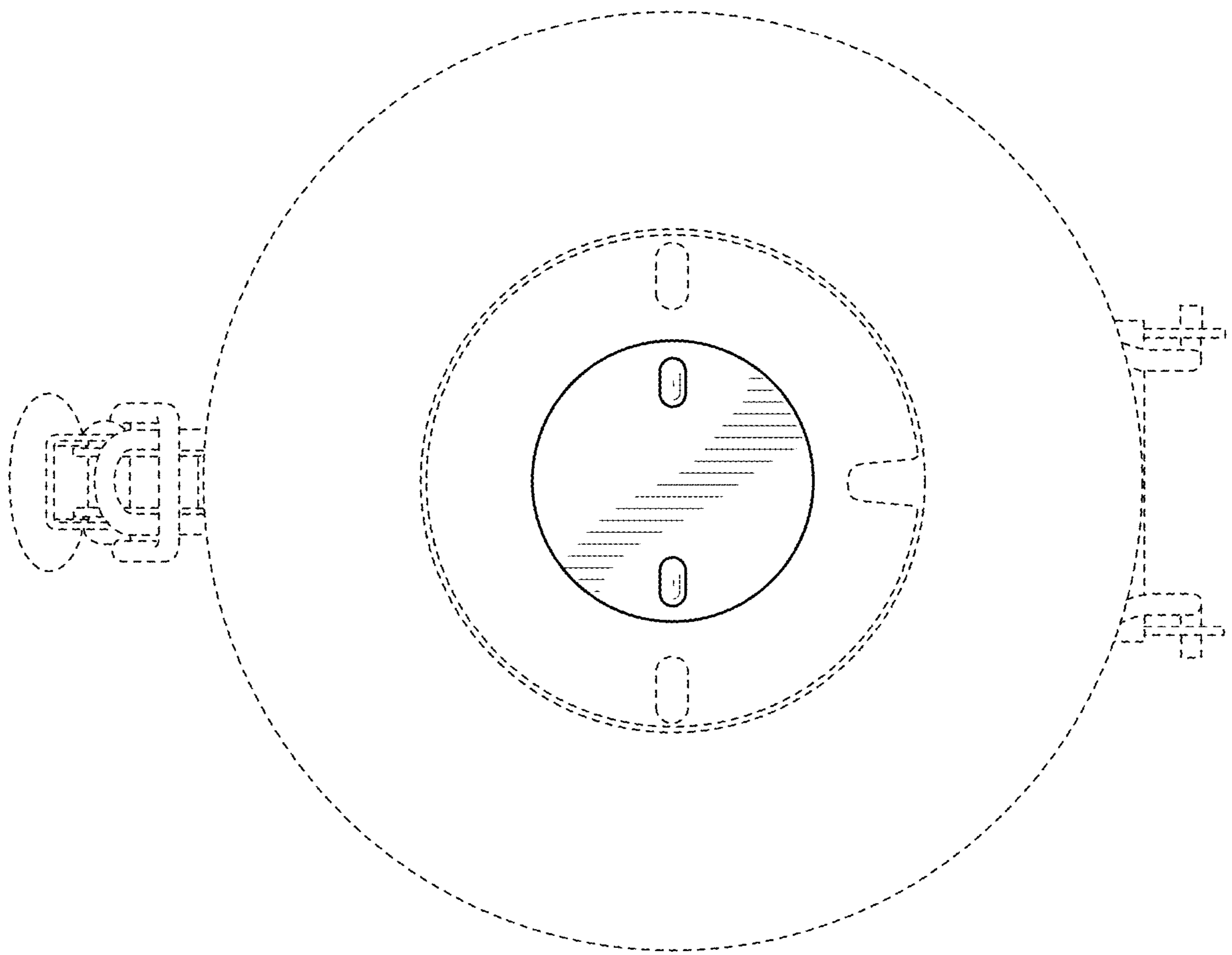


FIG. 2

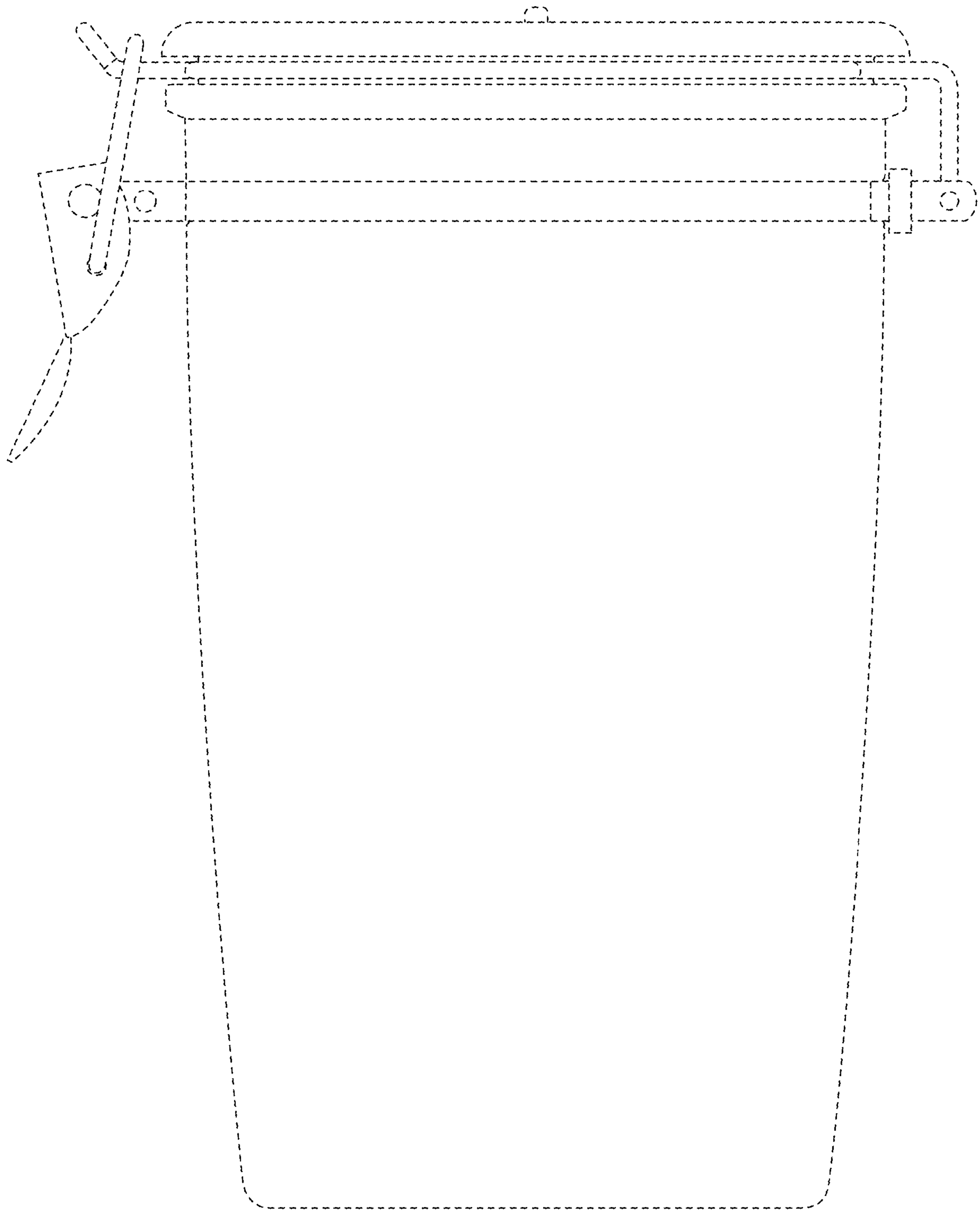


FIG. 3



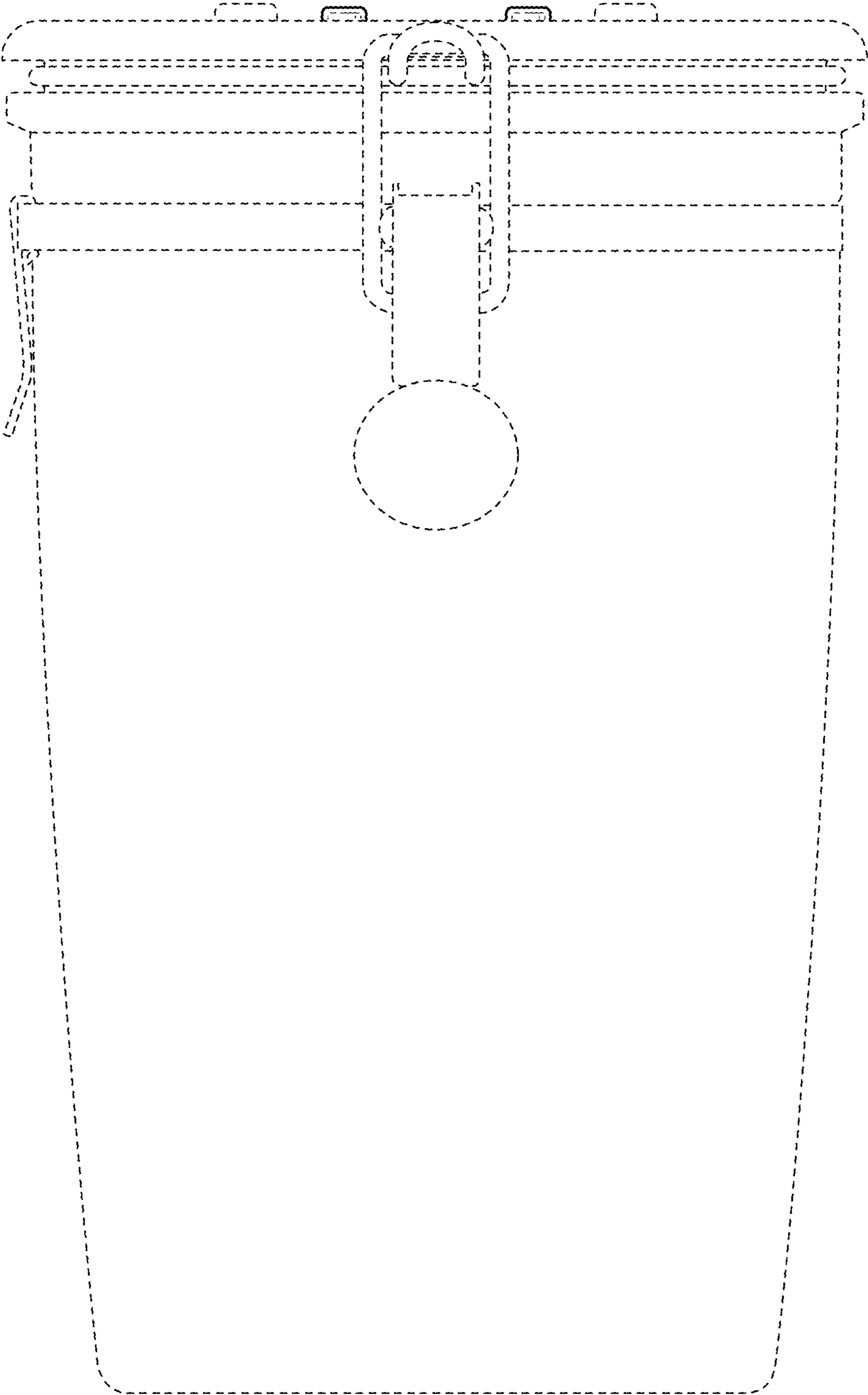


FIG. 4

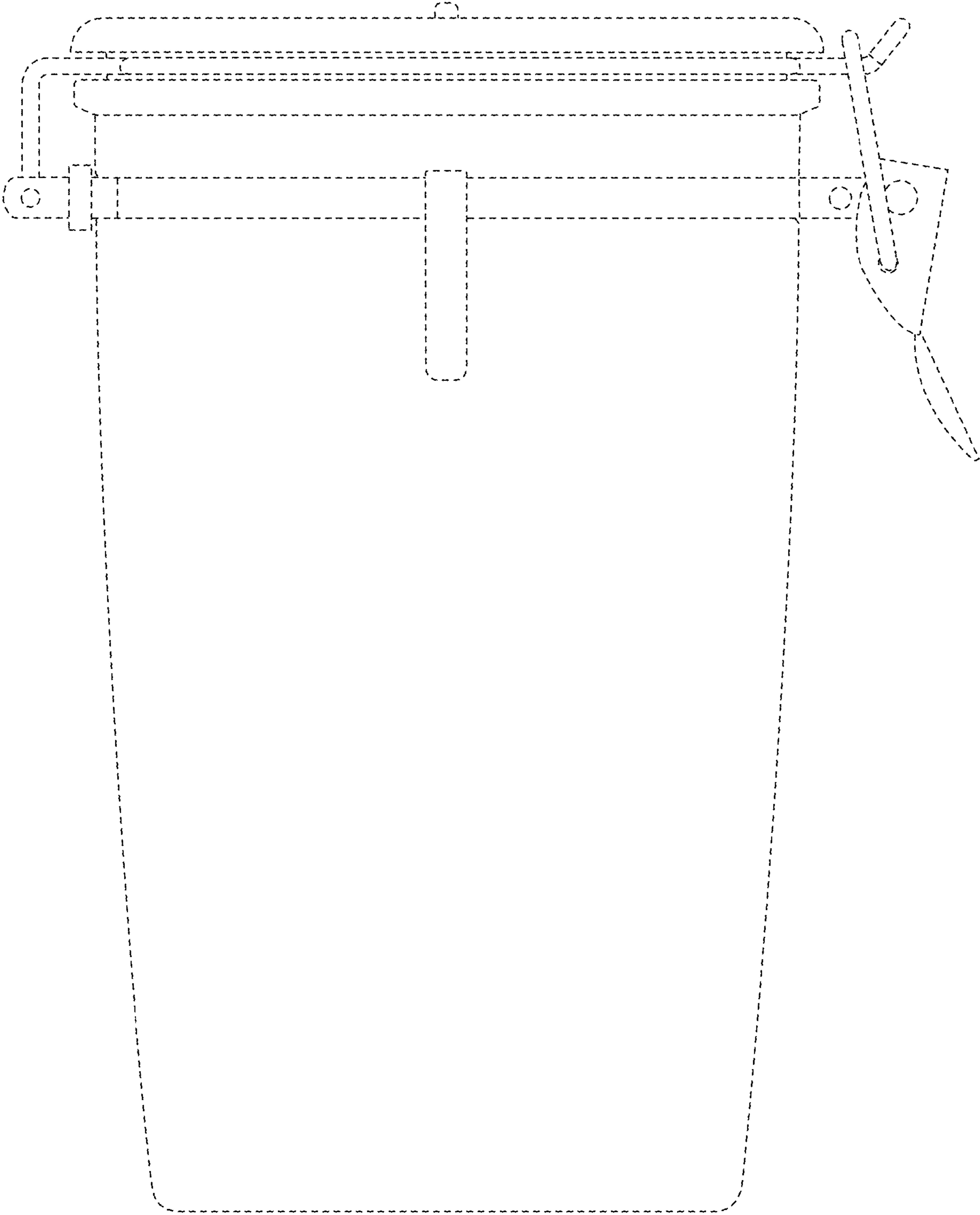


FIG. 5

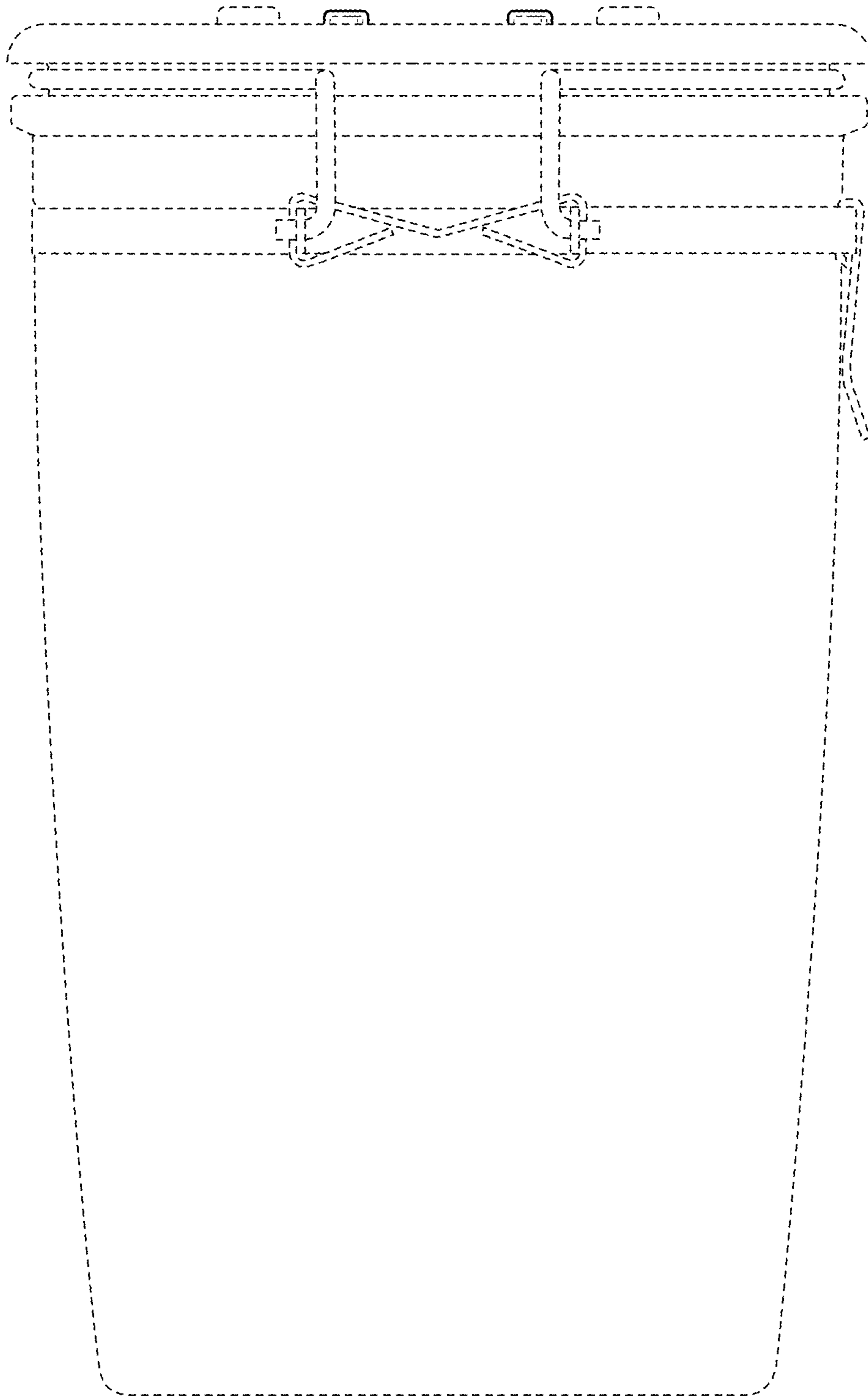


FIG. 6