



US00D966035S

(12) **United States Design Patent**
Ye

(10) **Patent No.:** **US D966,035 S**

(45) **Date of Patent:** **** Oct. 11, 2022**

(54) **SLICER**

(71) Applicant: **Guangzhou Hantong Technology Co., Ltd, Guangzhou (CN)**

(72) Inventor: **Xiangqing Ye, Guangzhou (CN)**

(**) Term: **15 Years**

(21) Appl. No.: **29/804,251**

(22) Filed: **Aug. 19, 2021**

(51) **LOC (13) Cl.** **31-00**

(52) **U.S. Cl.**
USPC **D7/383; D7/381**

(58) **Field of Classification Search**
USPC D7/376–386, 412
CPC . B26D 1/14; B26D 1/143; B26D 1/15; B26D 1/153; B26D 1/157; B26D 1/18; B26D 1/28; B26D 5/00; B26D 5/06; B26D 5/08; B26D 5/10; B26D 5/12; B26D 5/22; B26D 5/26; B26D 5/38; B26D 5/42; B26D 7/00; B26D 7/01; B26D 7/08; B26D 7/12; B26D 7/18; B26D 7/1818; B26D 7/22; B26D 7/225; B26D 7/24; B26D 7/26; B26D 7/2614; B26D 7/2621; B26D 7/2628; B26D 7/2635; B26D 7/30; B26D 7/32; B26D 7/325; B27G 13/00; B27G 13/005; B27G 13/10
See application file for complete search history.

(56) **References Cited**

U.S. PATENT DOCUMENTS

D162,996 S * 4/1951 Sivertsen D7/383
D180,304 S * 5/1957 Duyn D7/383
D230,630 S * 3/1974 McCue 83/703
D269,347 S * 6/1983 Cantatore D7/383
D418,011 S * 12/1999 van Dullemen D7/383

D418,012 S * 12/1999 Van Dullemen D7/383
D424,867 S * 5/2000 Van Dullemen D7/383
D488,953 S * 4/2004 Friel, Sr. D7/383
D513,682 S * 1/2006 Friel, Sr. D7/383
D544,747 S * 6/2007 Biddle D7/383
D548,517 S * 8/2007 Piret D7/381
D718,085 S * 11/2014 Elek D7/383
D780,538 S * 3/2017 Arobas
D926,516 S * 8/2021 Deng D7/381

OTHER PUBLICATIONS

OSTBA Meat Slicer Electric Deli Food Slicer. Date First Available on Amazon.com Jul. 3, 2019. <https://www.amazon.com/Protection-Removable-Stainless-Adjustable-Thickness/dp/B07S5R3HHV/ref> (Year: 2019).*

* cited by examiner

Primary Examiner — Ricky Pham

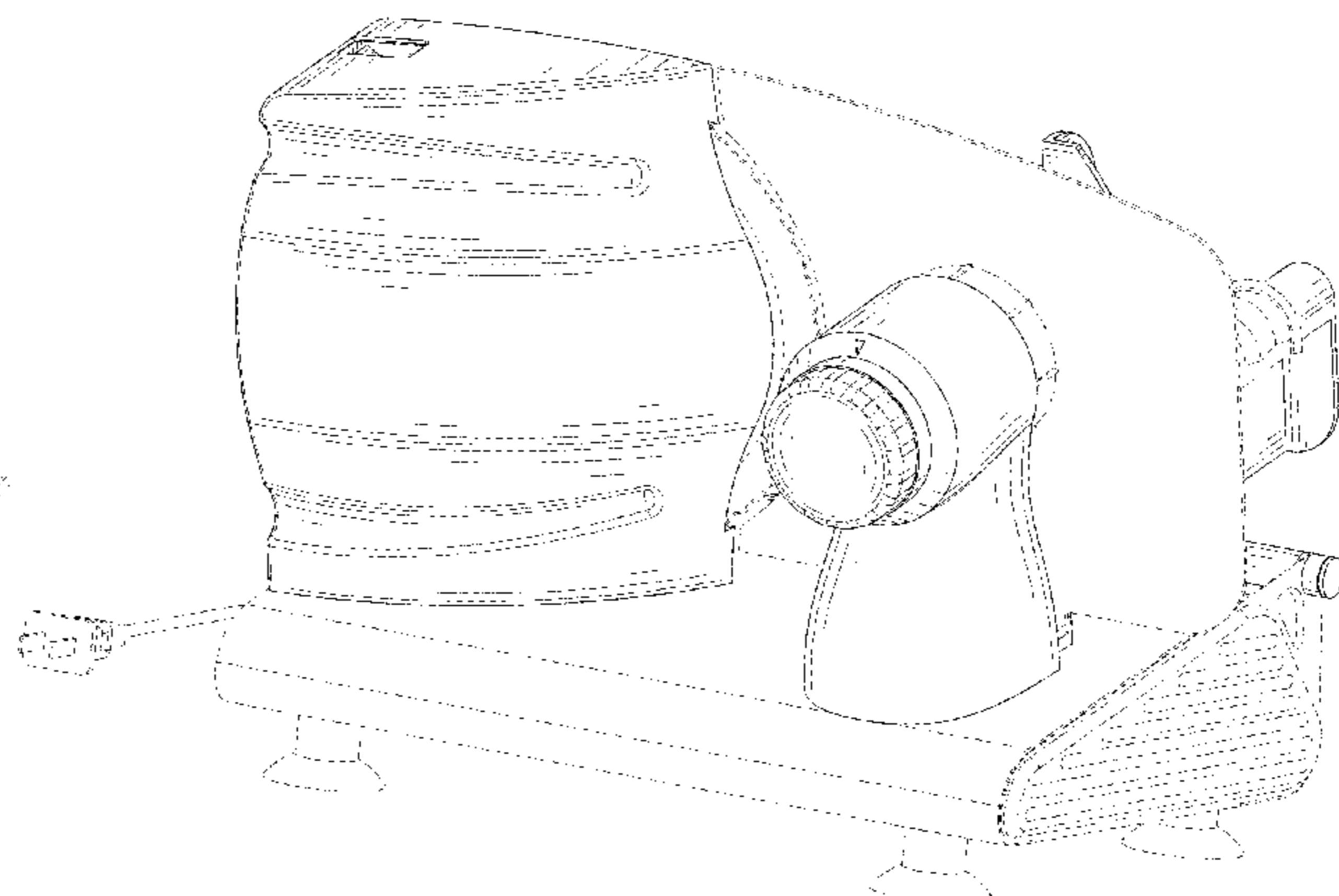
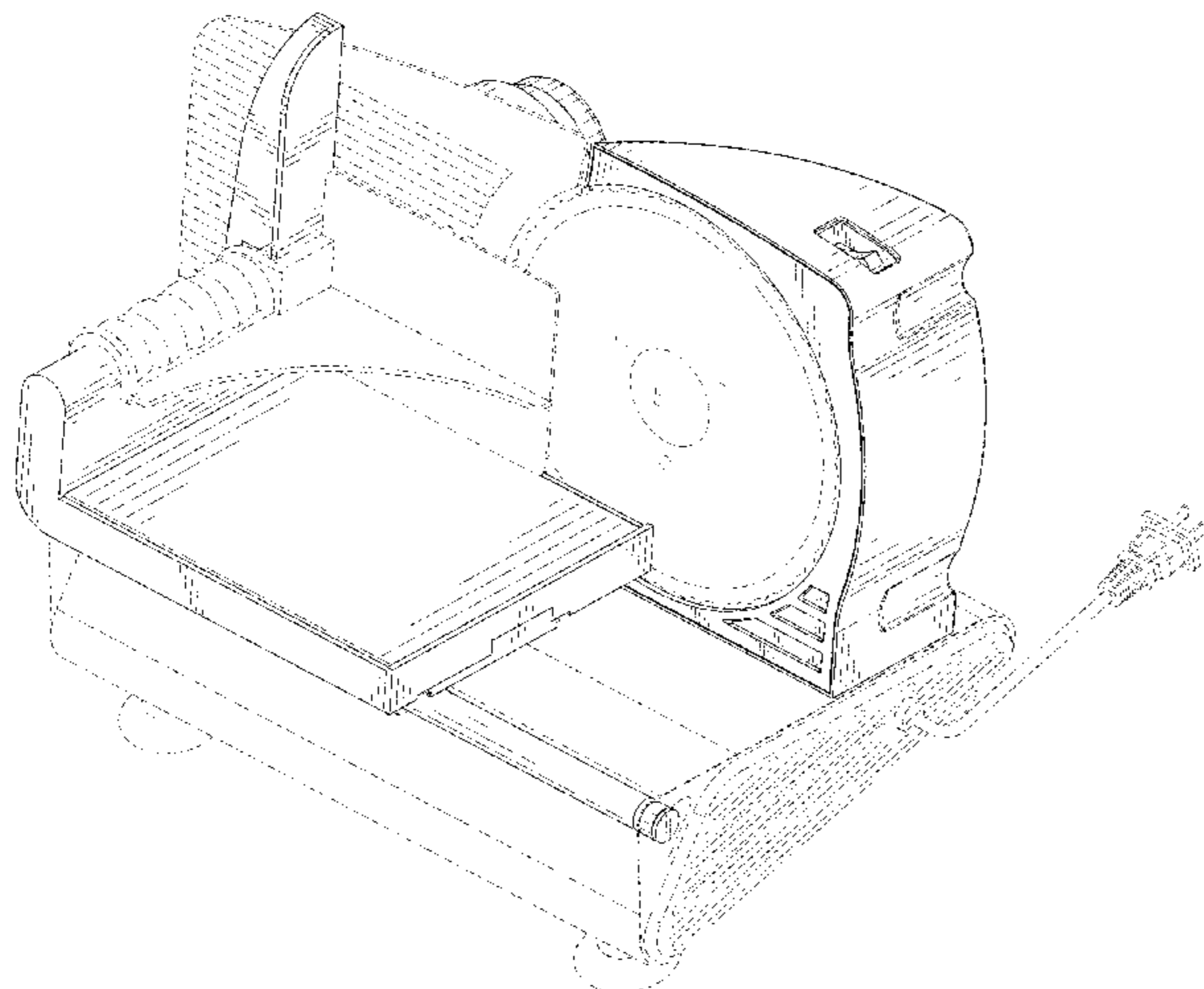
(57) **CLAIM**

The ornamental design for a slicer, as shown and described.

DESCRIPTION

FIG. 1 is a front and top perspective view of a slicer, showing my new design;
FIG. 2 is a rear and bottom perspective view thereof;
FIG. 3 is a front elevation view thereof;
FIG. 4 is a rear elevation view thereof;
FIG. 5 is a left side elevation view thereof;
FIG. 6 is a right side elevation view thereof;
FIG. 7 is a top plan view thereof;
FIG. 8 is a bottom plan view thereof; and,
FIG. 9 is an exploded view thereof.
The broken lines in the figures illustrate portions of the slicer that form no part of the claimed design.

1 Claim, 9 Drawing Sheets



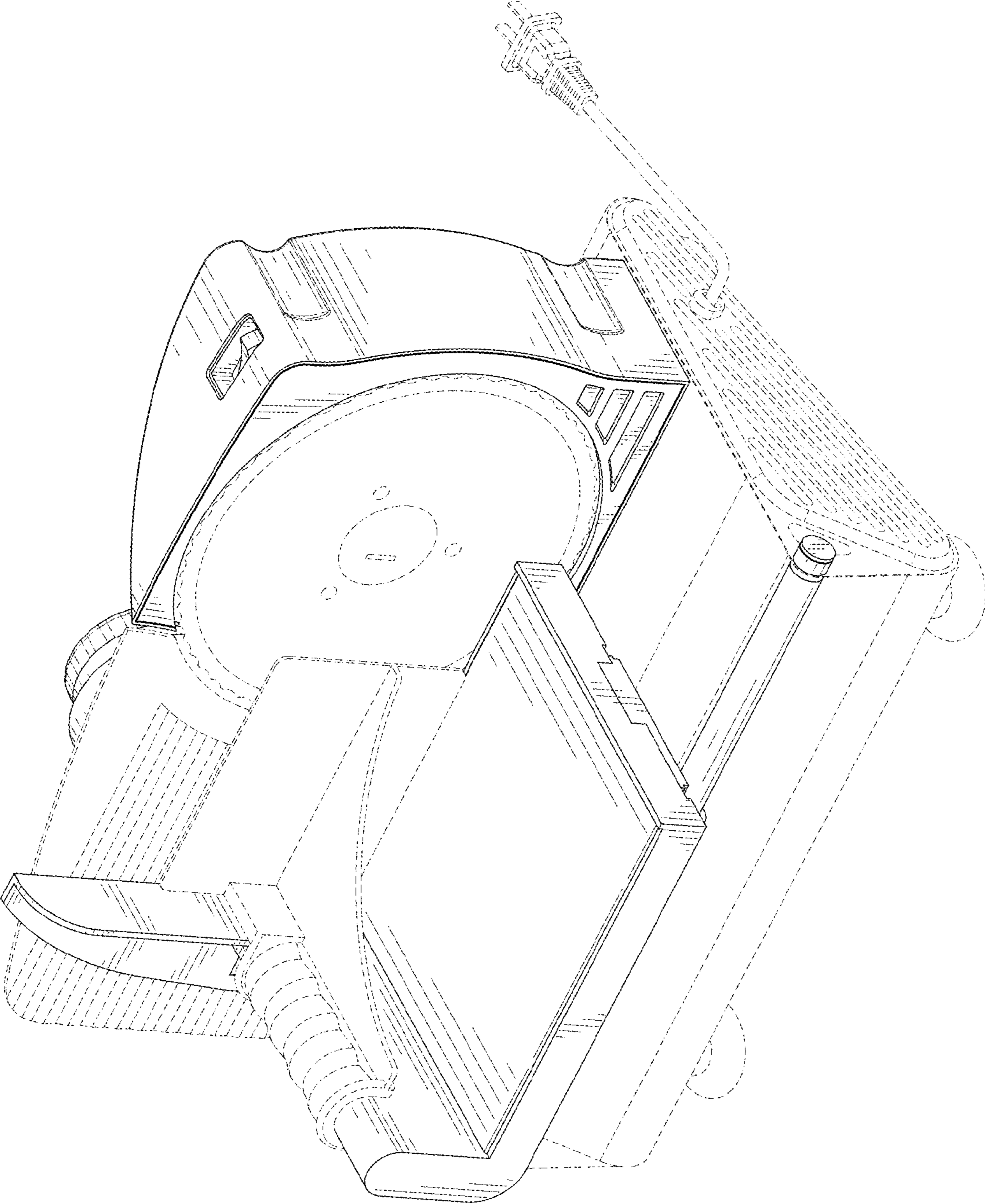


FIG. 1

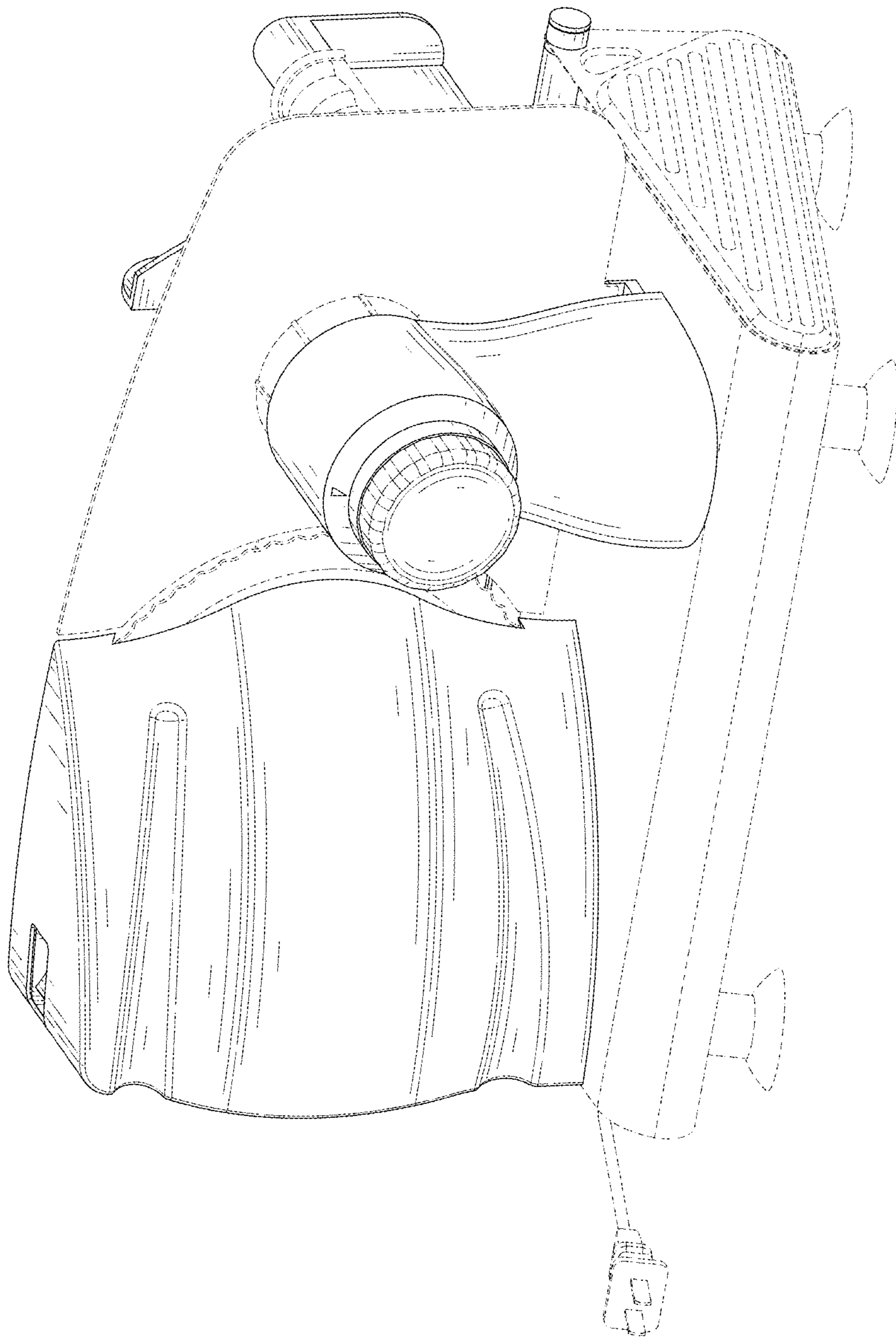


FIG. 2

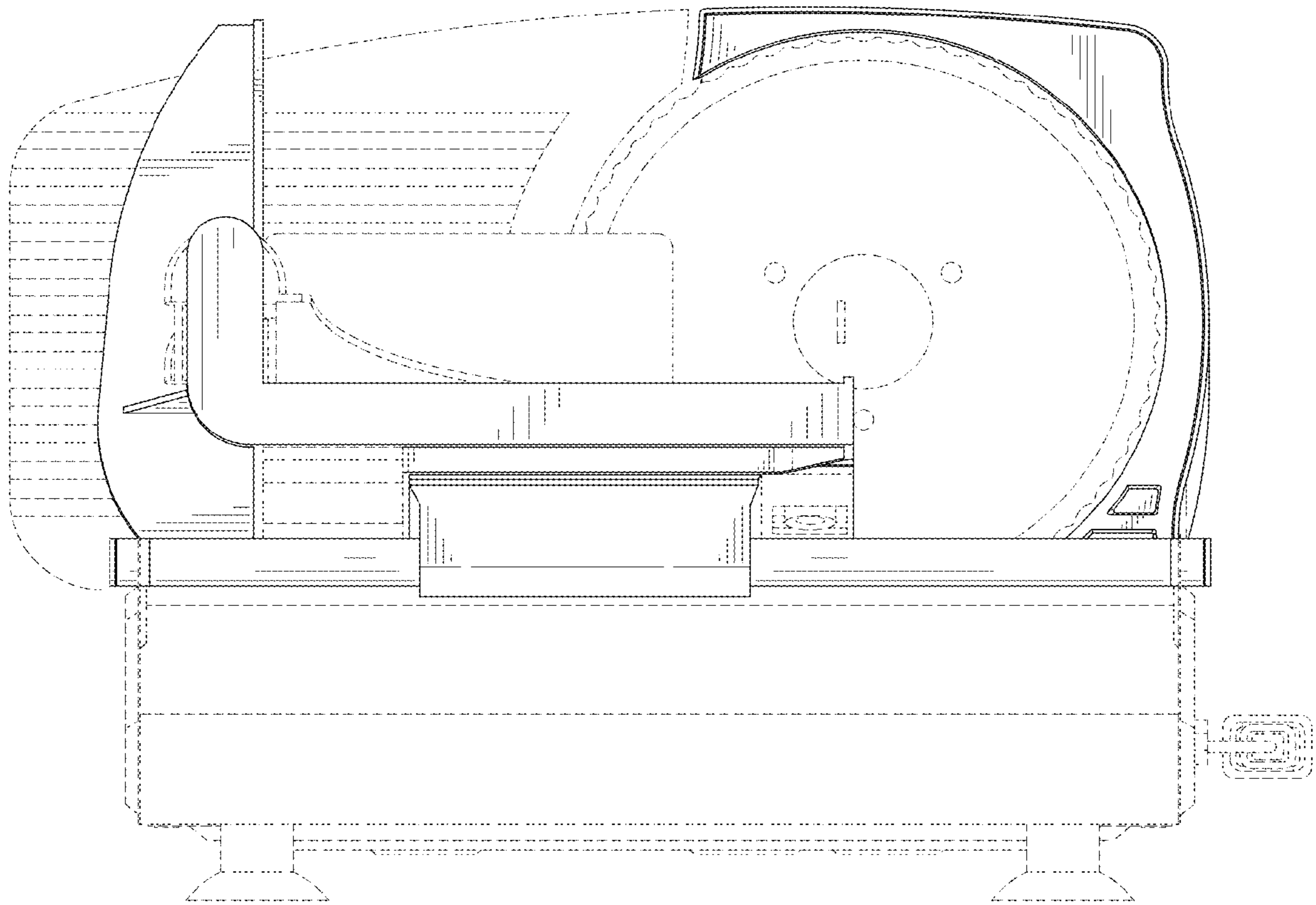


FIG. 3

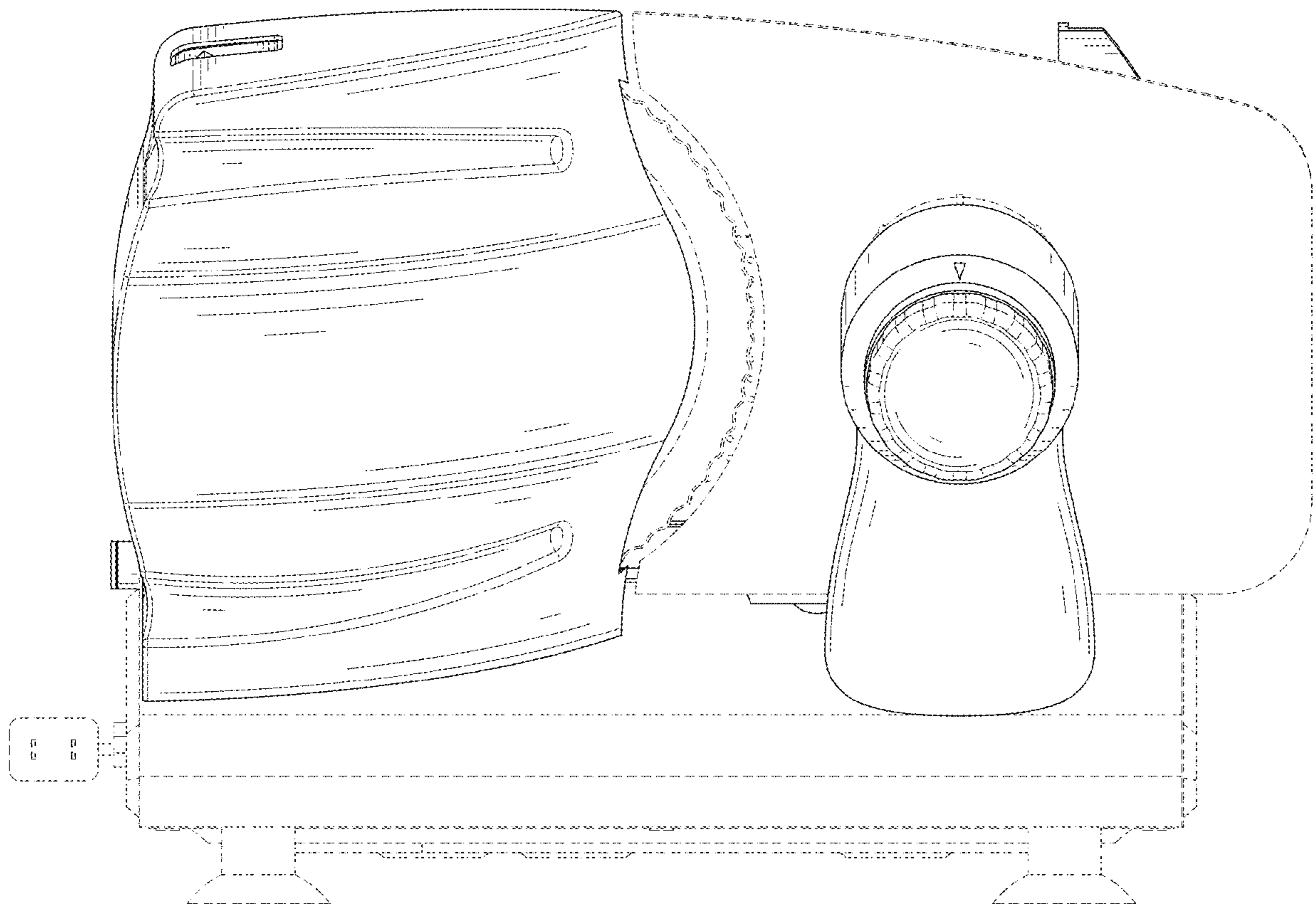


FIG. 4

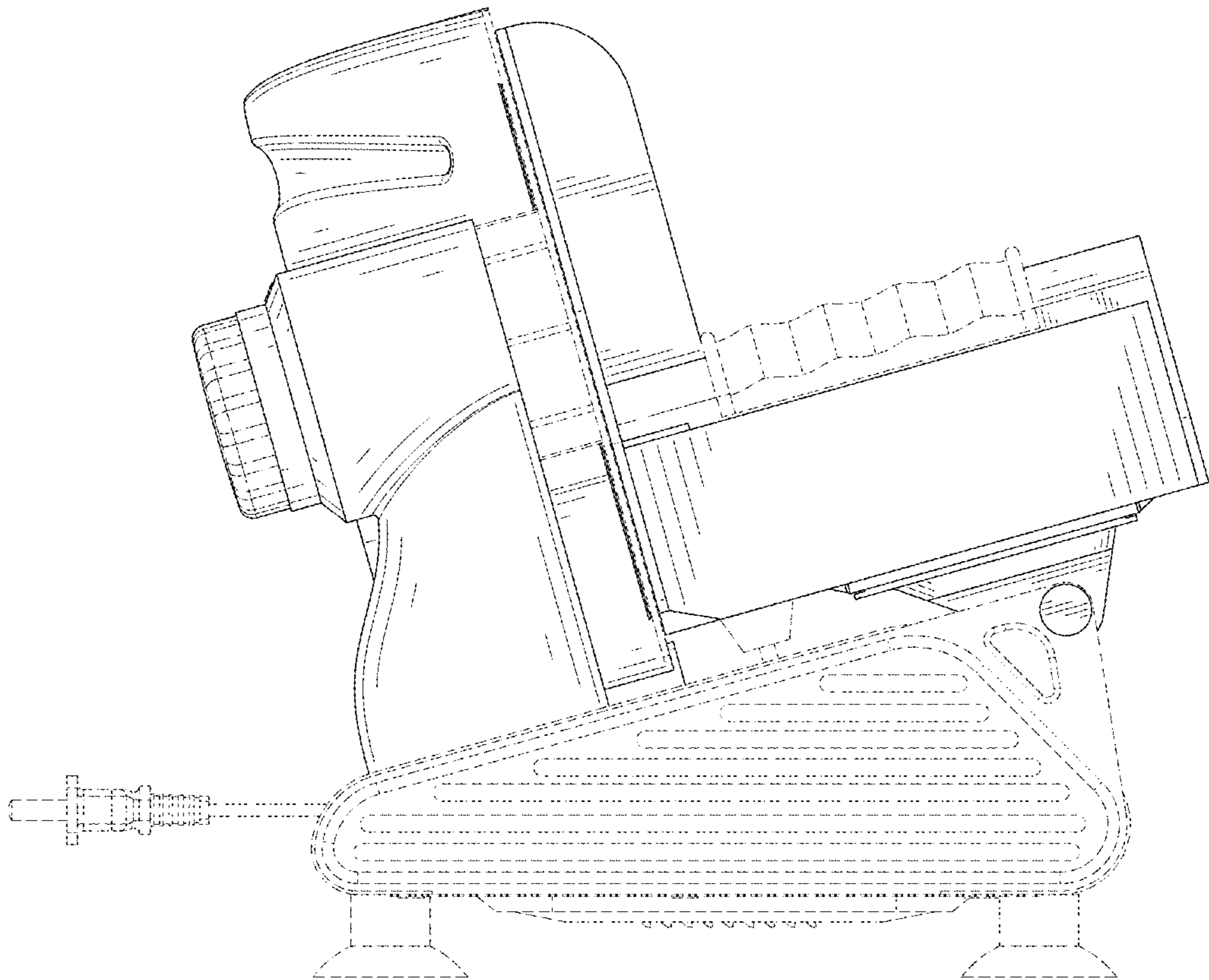


FIG. 5

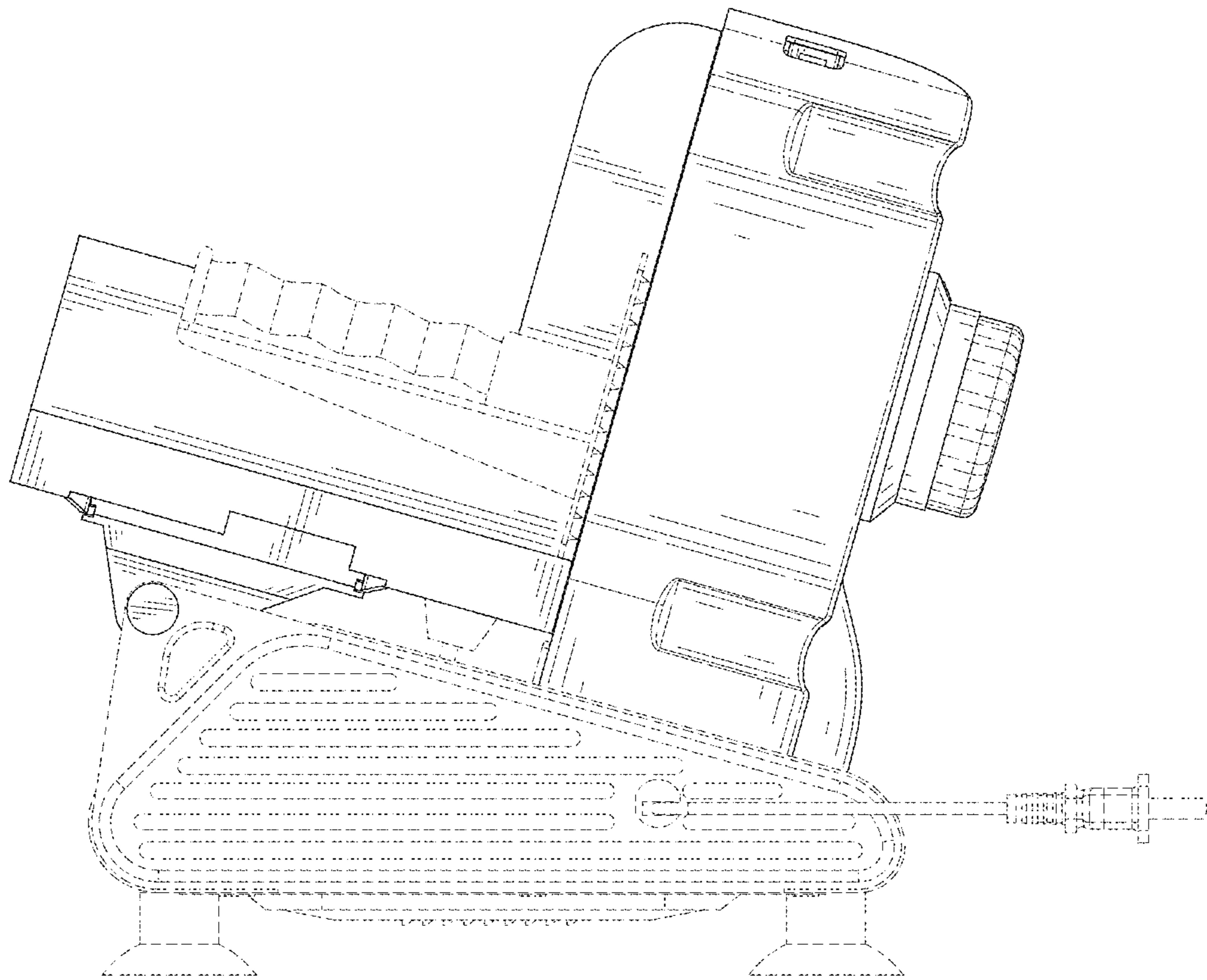


FIG. 6

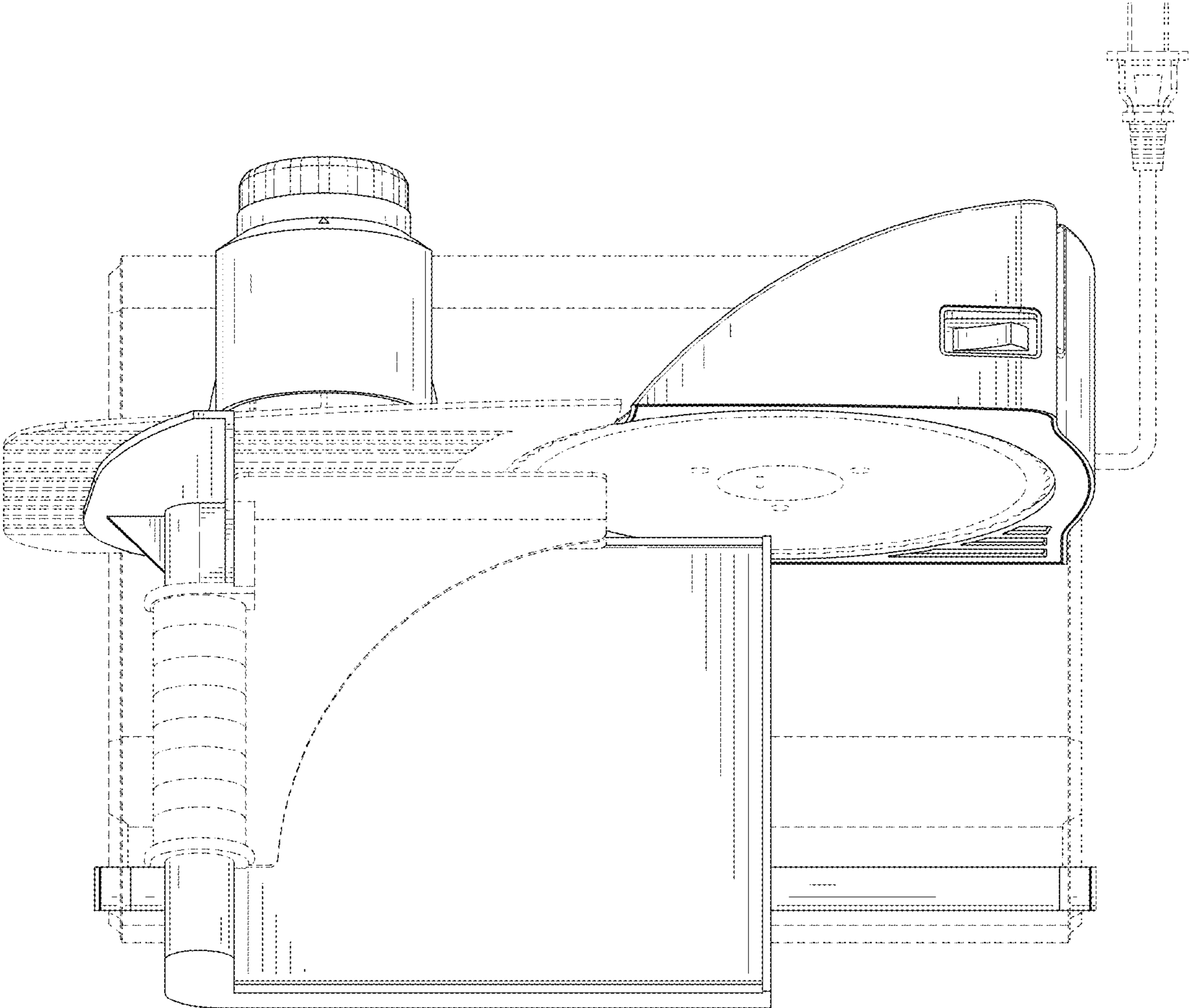


FIG. 7

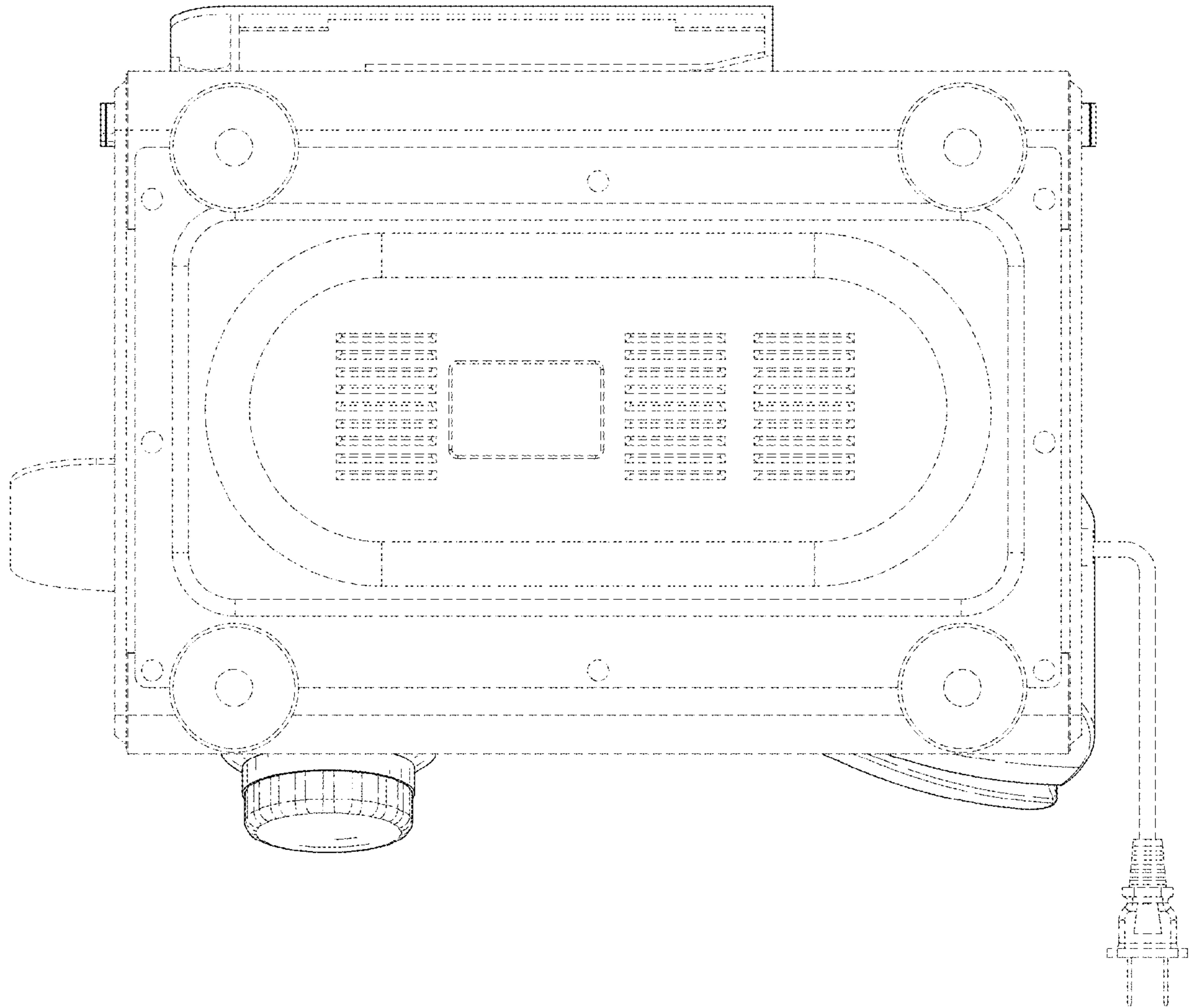


FIG. 8

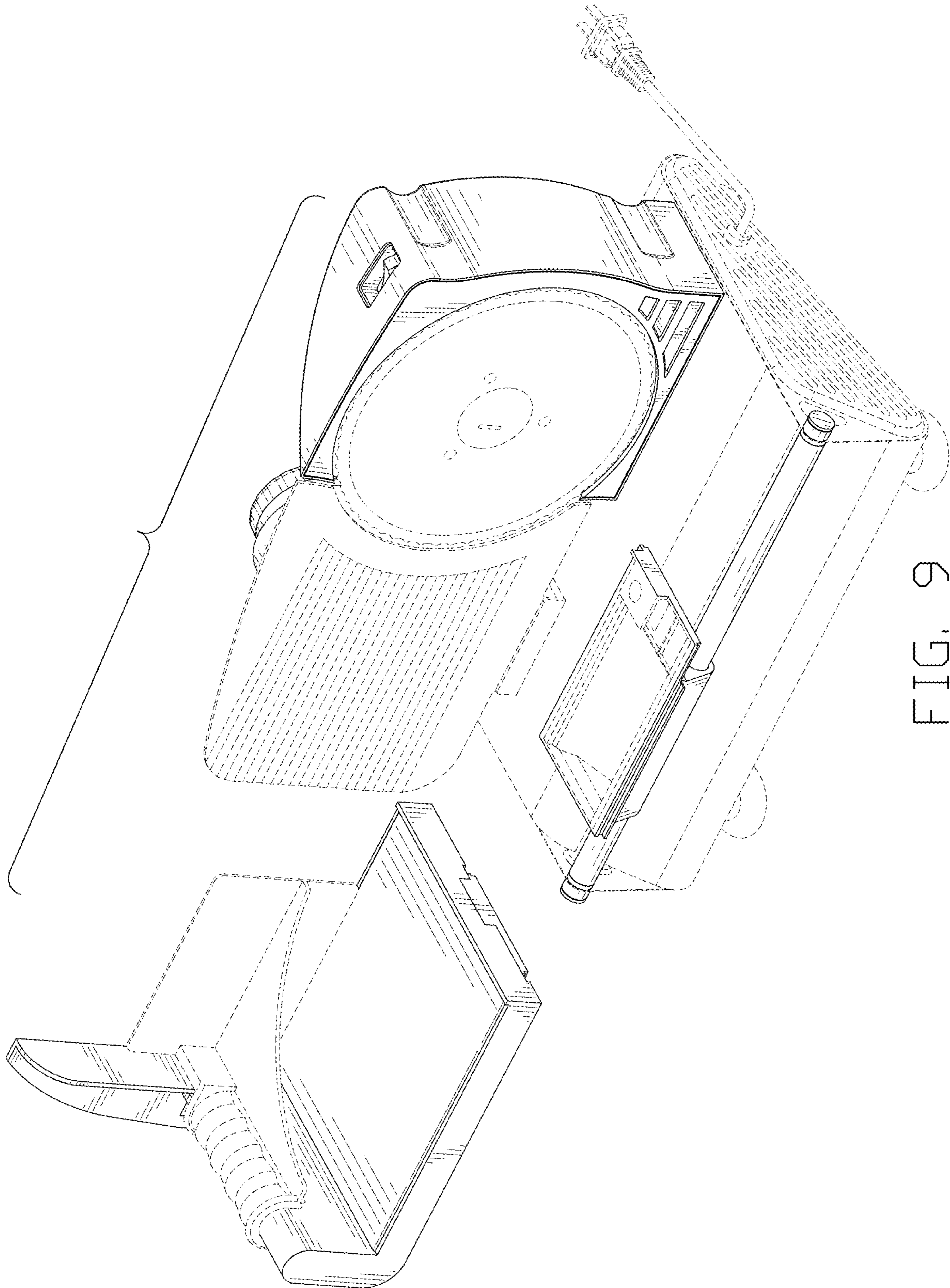


FIG. 9