



US00D966034S

(12) **United States Design Patent** (10) **Patent No.:** **US D966,034 S**
Duan (45) **Date of Patent:** **** Oct. 11, 2022**

- (54) **MILK FROTHER**
- (71) Applicant: **Zulay LLC**, Clearwater, FL (US)
- (72) Inventor: **Youming Duan**, Yuyao (CN)
- (73) Assignee: **Zulay LLC**, Clearwater, FL (US)
- (**) Term: **15 Years**
- (21) Appl. No.: **29/758,898**
- (22) Filed: **Nov. 19, 2020**

D843,163 S *	3/2019	Gan	D7/380
D856,746 S *	8/2019	Du	D7/380
D867,052 S *	11/2019	Du	D7/379
D884,413 S *	5/2020	Zhu	D7/380
D897,145 S *	9/2020	Xiao	D7/380
D924,619 S *	7/2021	Chen	D7/379
D932,826 S *	10/2021	Du	D7/380

(30) **Foreign Application Priority Data**

May 28, 2020 (CN) 202030256611.9

(51) **LOC (13) Cl.** **31-00**

(52) **U.S. Cl.**
USPC **D7/380; D7/376; D7/379**

(58) **Field of Classification Search**
USPC D7/372, 376-386, 397, 412-413, 602,
D7/629, 665-666, 669, 679, 693-694
CPC A21C 1/02; A21C 1/04; A23N 1/00; A23N
1/02; A47J 43/04; A47J 43/25; A47J
43/27; A47J 43/042; A47J 43/044; A47J
43/046; A47J 43/075; A47J 43/0722;
A47J 43/0727; B01F 3/00; B01F 3/0807;
B01F 3/0853; B01F 13/0059; B01F
13/0064; B02C 1/08; B02C 2/04; B02C
4/42; B02C 4/142; B02C 4/143; B02C
4/423; B02C 13/1835; B28C 5/10; B28C
5/12; B28C 5/14; B28C 5/16
See application file for complete search history.

(56) **References Cited**

U.S. PATENT DOCUMENTS

D490,647 S *	6/2004	Buesching	D7/379
D701,081 S *	3/2014	Mills	D7/397
D812,421 S *	3/2018	Schaarschmidt	D7/397

OTHER PUBLICATIONS

Milk Boss (Batteries Included) Double Grip Milk Frother Hand-held. Date First Available on Amazon.com Jul. 12, 2019. <https://www.amazon.com/dp/B089K1Y7Z3/ref> (Year: 2019).*

* cited by examiner

Primary Examiner — Ricky Pham

(74) *Attorney, Agent, or Firm* — Hanrahan Law Firm, P.A.; Benjamin M. Hanrahan

(57) **CLAIM**

The ornamental design for a milk frother, as shown and described.

DESCRIPTION

FIG. 1 is a front perspective view illustrating my/our design for a milk frother.

FIG. 2 is a rear perspective view thereof.

FIG. 3 is a left side view thereof.

FIG. 4 is a rear view thereof.

FIG. 5 is a right side view thereof.

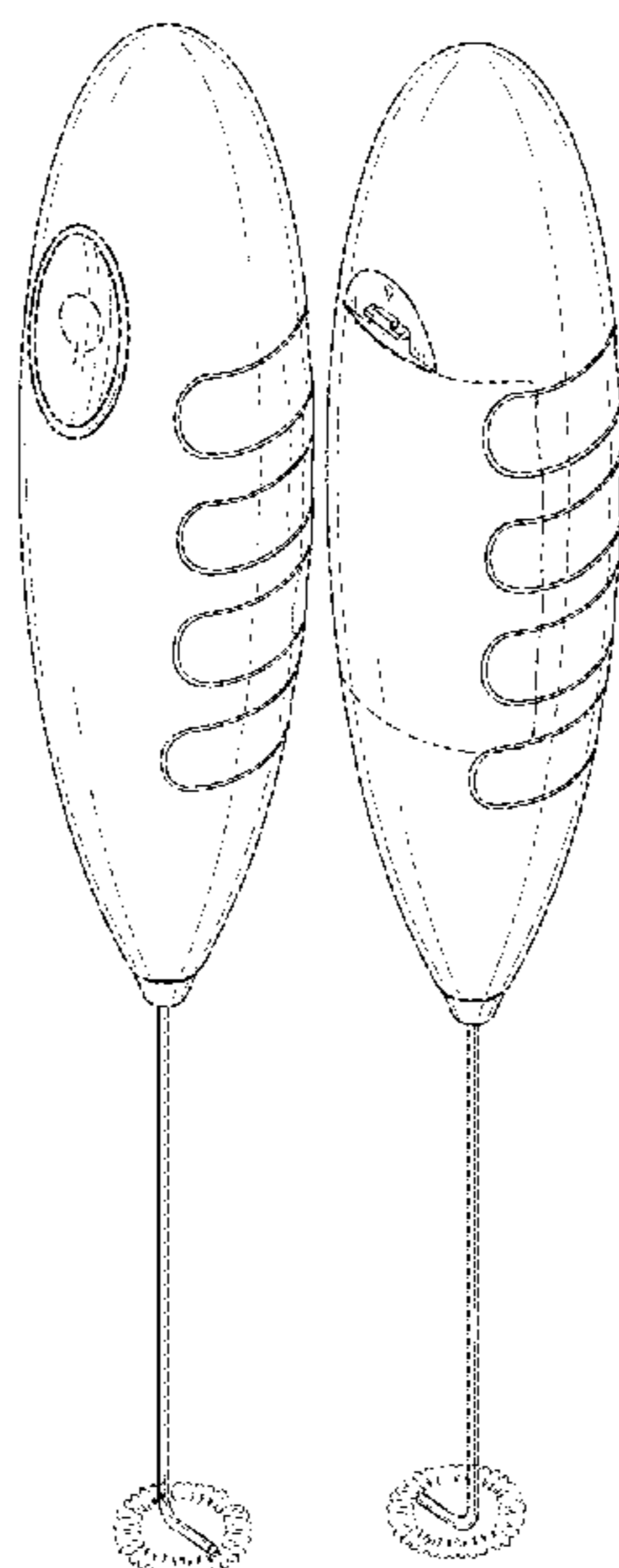
FIG. 6 is a front view thereof.

FIG. 7 is a top view thereof, the size of which is enlarged 20 percent as compared to FIGS. 1 through 6 to show detail; and,

FIG. 8 is a bottom view thereof, the size of which is enlarged 20 percent as compared to FIGS. 1 through 6 to show detail.

The broken lines shown in the Figures illustrate portions of the article that form no part of the claimed design.

1 Claim, 7 Drawing Sheets



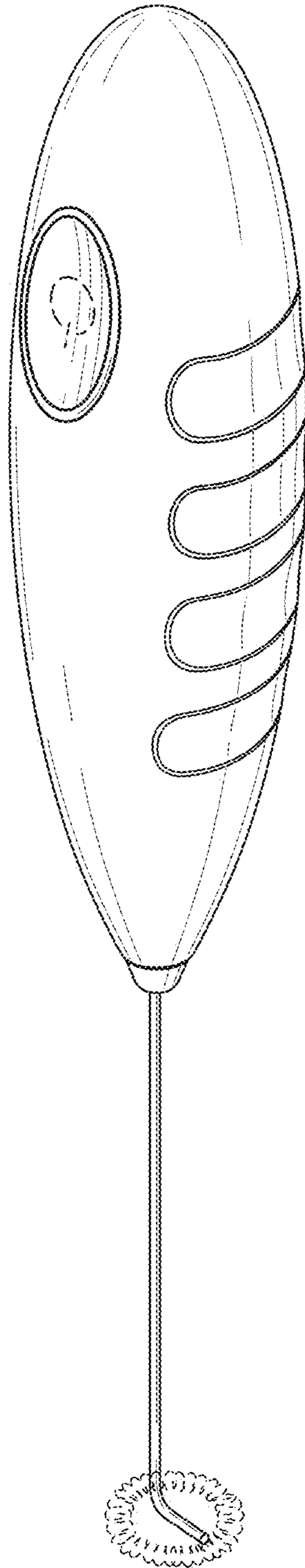


FIG. 1

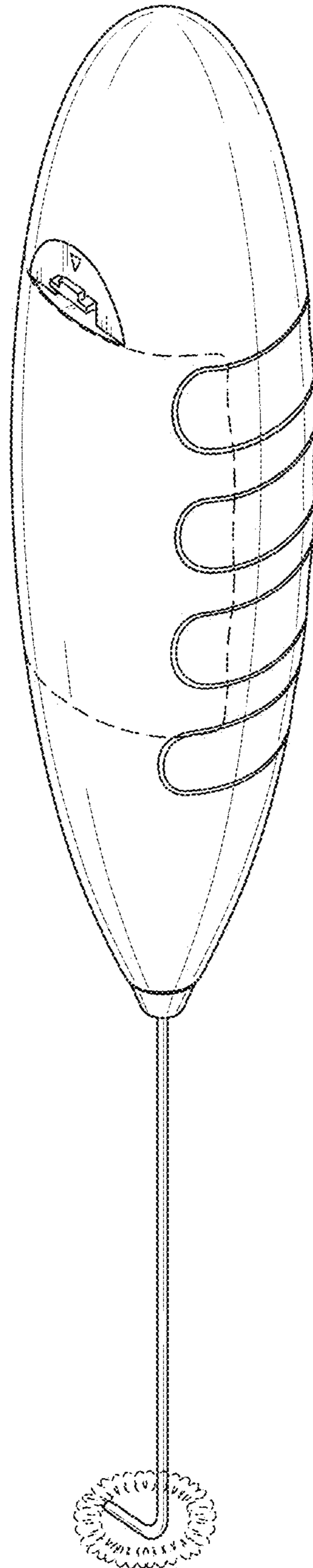


FIG. 2

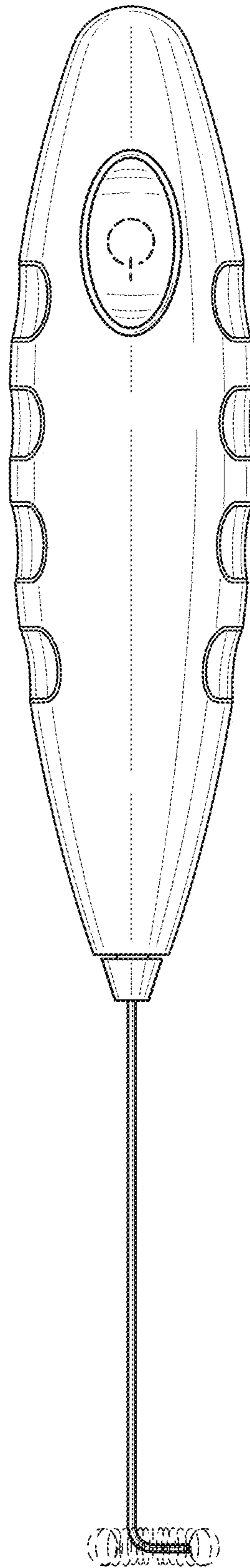


FIG. 3

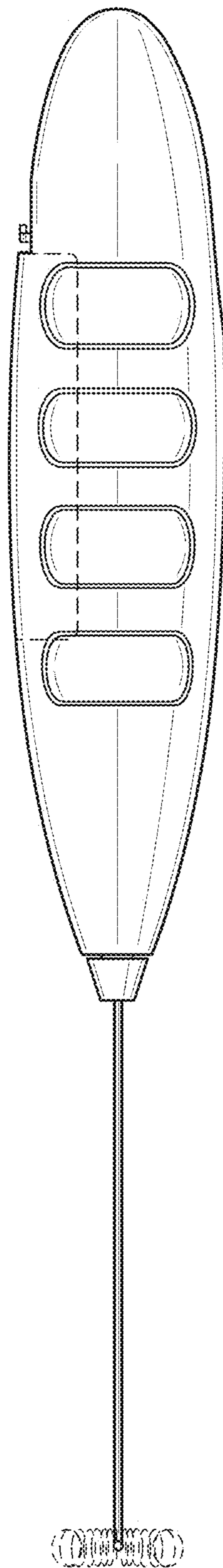


FIG. 4

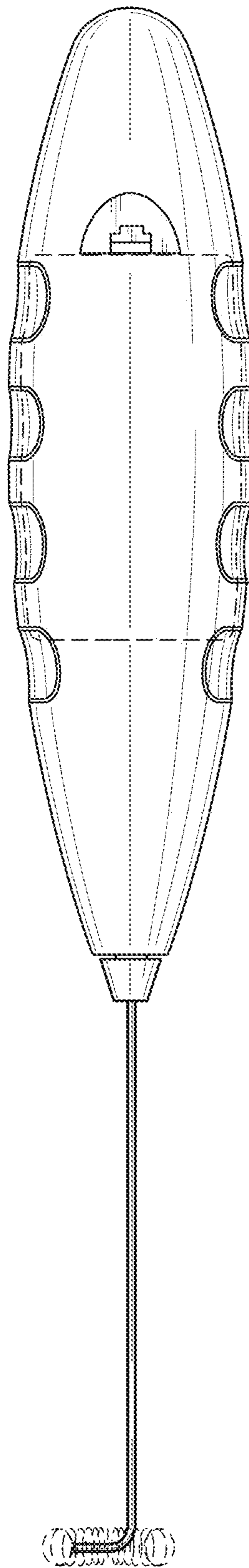


FIG. 5

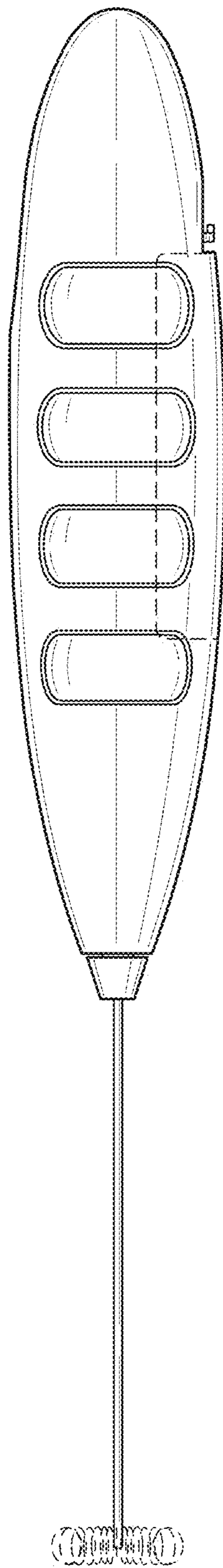


FIG. 6

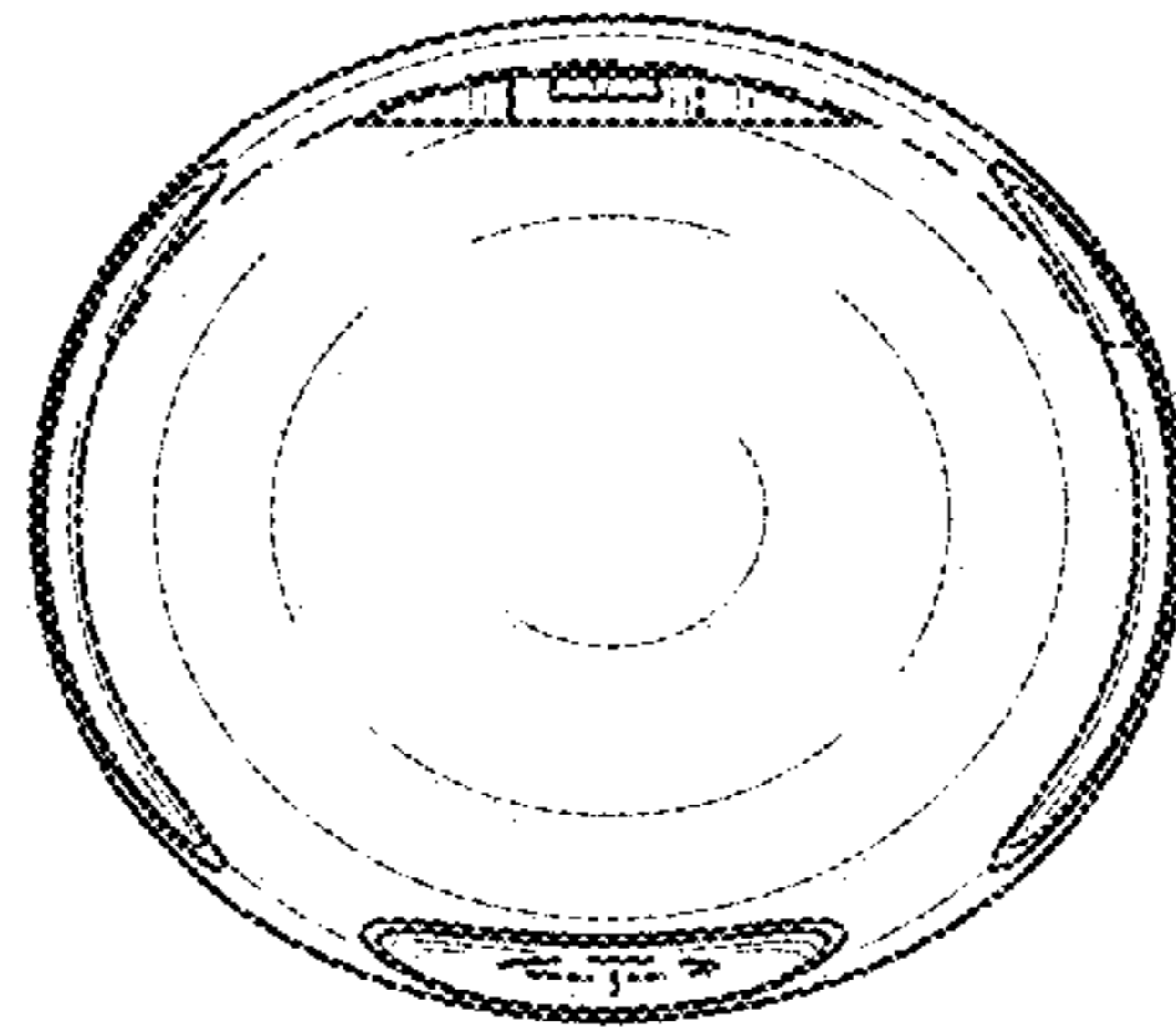


FIG. 7

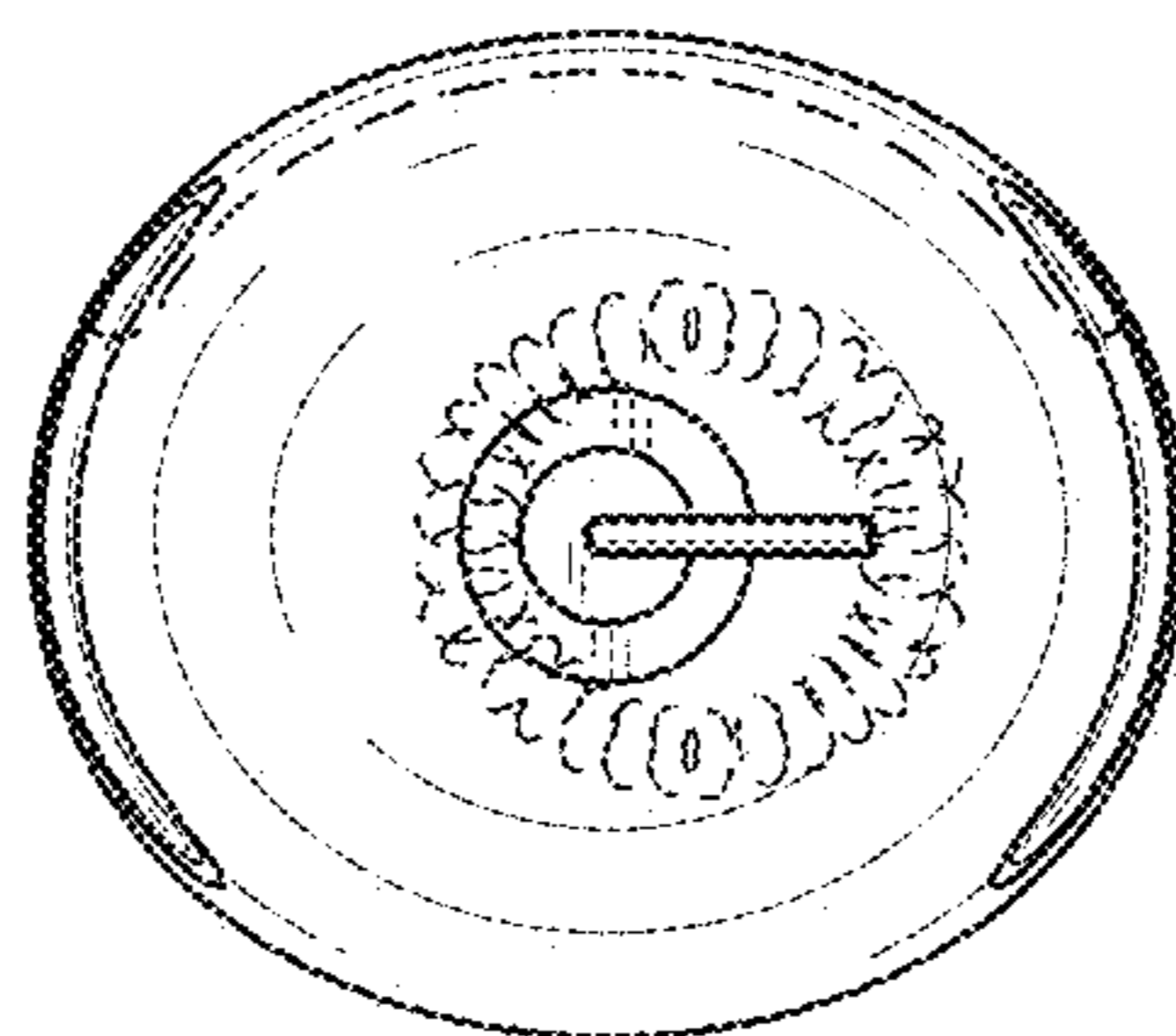


FIG. 8