

US00D966033S

(12) **United States Design Patent** (10) **Patent No.:** **US D966,033 S**  
**Walter et al.** (45) **Date of Patent:** **\*\* Oct. 11, 2022**

(54) **SCREW SHAFT ELEMENT**

(71) Applicant: **Buss AG**, Pratteln (CH)

(72) Inventors: **Wolfgang Walter**, Aalen (DE); **Martin Schötzau**, Augst (CH)

(73) Assignee: **Buss AG**, Pratteln (CH)

(\*\*) Term: **15 Years**

(21) Appl. No.: **29/826,264**

(22) Filed: **Feb. 10, 2022**

**Related U.S. Application Data**

(62) Division of application No. 29/668,738, filed on Nov. 1, 2018.

(30) **Foreign Application Priority Data**

May 4, 2018 (EM) ..... 005258472  
May 4, 2018 (EM) ..... 005258472-0001  
May 4, 2018 (EM) ..... 005258472-0002  
May 4, 2018 (EM) ..... 005258472-0003  
May 4, 2018 (EM) ..... 005258472-0006  
May 4, 2018 (EM) ..... 005258472-0008

(51) **LOC (13) Cl.** ..... **31-00**

(52) **U.S. Cl.**  
USPC ..... **D7/376**

(58) **Field of Classification Search**  
USPC ..... D7/368, 377, 379, 376, 412, 387, 213;  
D8/387; D24/220  
CPC ..... B29C 48/03; B29C 48/395; B29C 48/04;  
B29C 48/67; B29C 48/45; B29C 48/565;  
B29C 48/687; B01F 7/00416; B01F  
7/086; B01F 2215/0049; B01F  
2215/0422; B29B

(Continued)

(56) **References Cited**

U.S. PATENT DOCUMENTS

D23,336 S \* 6/1894 Quimby ..... D8/387  
3,189,324 A \* 6/1965 Gubler ..... A21C 1/065  
366/90  
D706,893 S \* 6/2014 Diederich ..... D8/387  
(Continued)

FOREIGN PATENT DOCUMENTS

CN 303608265 \* 3/2016  
CN 307285622 \* 4/2022  
(Continued)

*Primary Examiner* — Sheryl Lane  
*Assistant Examiner* — Ieisha N. Price  
(74) *Attorney, Agent, or Firm* — Larson & Anderson,  
LLC

(57) **CLAIM**

The ornamental design for a screw shaft element, as shown and described.

**DESCRIPTION**

FIG. 1 is a perspective view of the first embodiment of the screw shaft element showing our new design;  
FIG. 2 is a front view thereof;  
FIG. 3 is a back view thereof;  
FIG. 4 is a left view thereof;  
FIG. 5 is a right view thereof;  
FIG. 6 is a top view thereof;  
FIG. 7 is a bottom view thereof;  
FIG. 8 is a perspective view of a the second embodiment of the screw shaft element showing our new design;  
FIG. 9 is a front view thereof;  
FIG. 10 is a back view thereof;  
FIG. 11 is a left view thereof;  
FIG. 12 is a right view thereof;

(Continued)

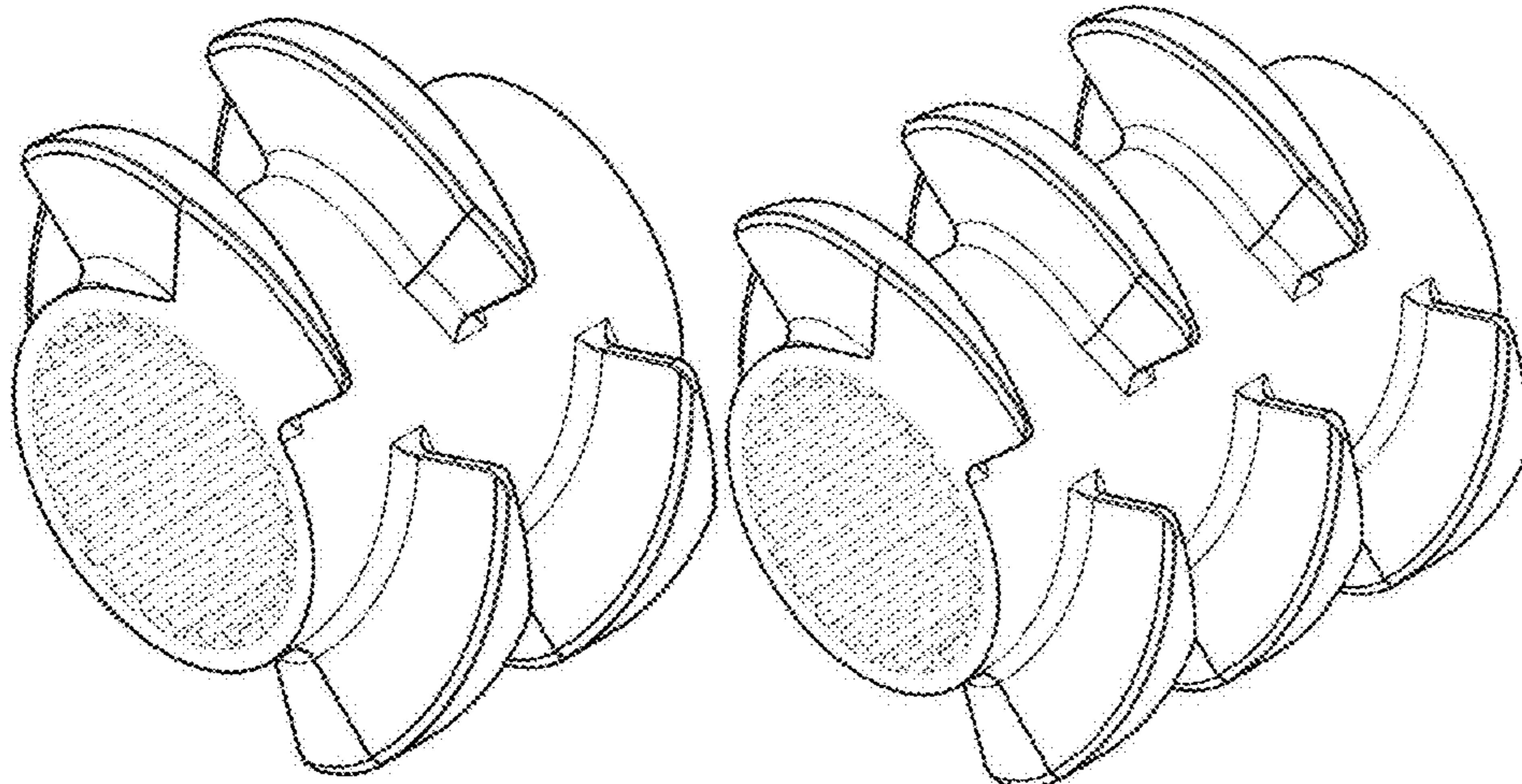


FIG. 13 is a top view thereof; and,  
 FIG. 14 is a bottom view thereof.  
 The broken lines in the drawings illustrate portions of the  
 screw shaft element and form no part of the claimed design.

**1 Claim, 14 Drawing Sheets**

(58) **Field of Classification Search**

CPC ..... 7/421; B29B 7/423; B29B 7/429; B29B  
 7/44

See application file for complete search history.

(56) **References Cited**

U.S. PATENT DOCUMENTS

9,022,638	B2 *	5/2015	Franz	.....	B29B 7/44	366/90
9,168,676	B2 *	10/2015	Siegenthaler	.....	B29B 7/423	
D929,799	S *	9/2021	Walter	.....	D7/376	
2005/0249030	A1 *	11/2005	Williams	.....	B29C 48/507	366/79

2007/0183253	A1 *	8/2007	Siegenthaler	.....	B29B 7/423	366/80
2009/0027994	A1 *	1/2009	Grutter	.....	B29B 7/423	366/79
2009/0238911	A1 *	9/2009	Hayashi	.....	B29C 48/022	425/202
2009/0245014	A1 *	10/2009	Suzuki	.....	B30B 11/221	366/76.93
2010/0067320	A1 *	3/2010	Blach	.....	B29B 7/603	366/85
2010/0284236	A1 *	11/2010	Franz	.....	B29C 48/04	366/76.1
2014/0199424	A1 *	7/2014	Behling	.....	B29C 48/2522	29/888.023
2014/0306370	A1 *	10/2014	Dispenza	.....	B29C 48/11	29/407.01
2020/0282622	A1 *	9/2020	Ougier	.....	B22F 5/06	

FOREIGN PATENT DOCUMENTS

KR	301075512.0000	*	9/2020
KR	301075513.0000	*	9/2020

\* cited by examiner

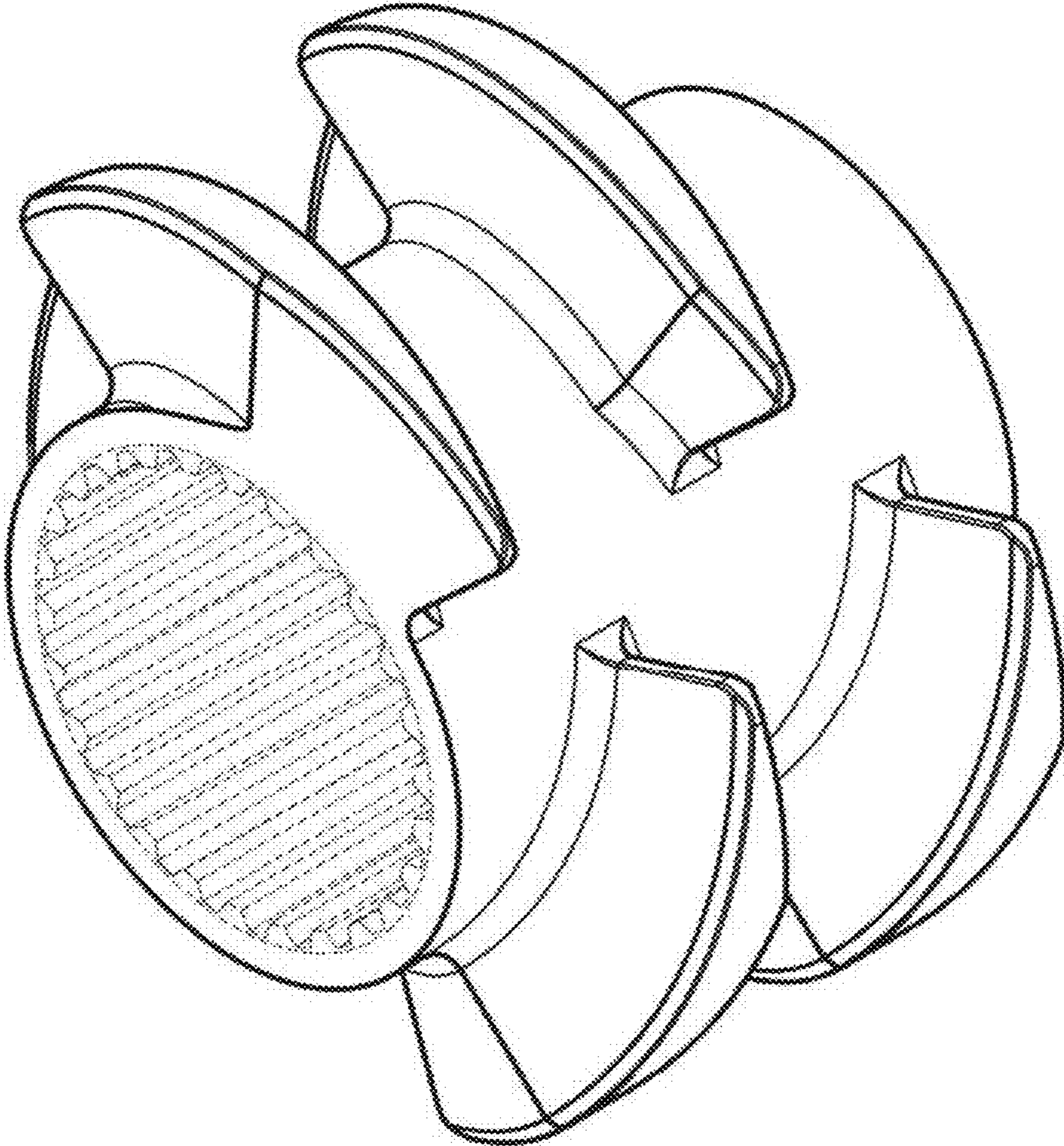


Fig. 1

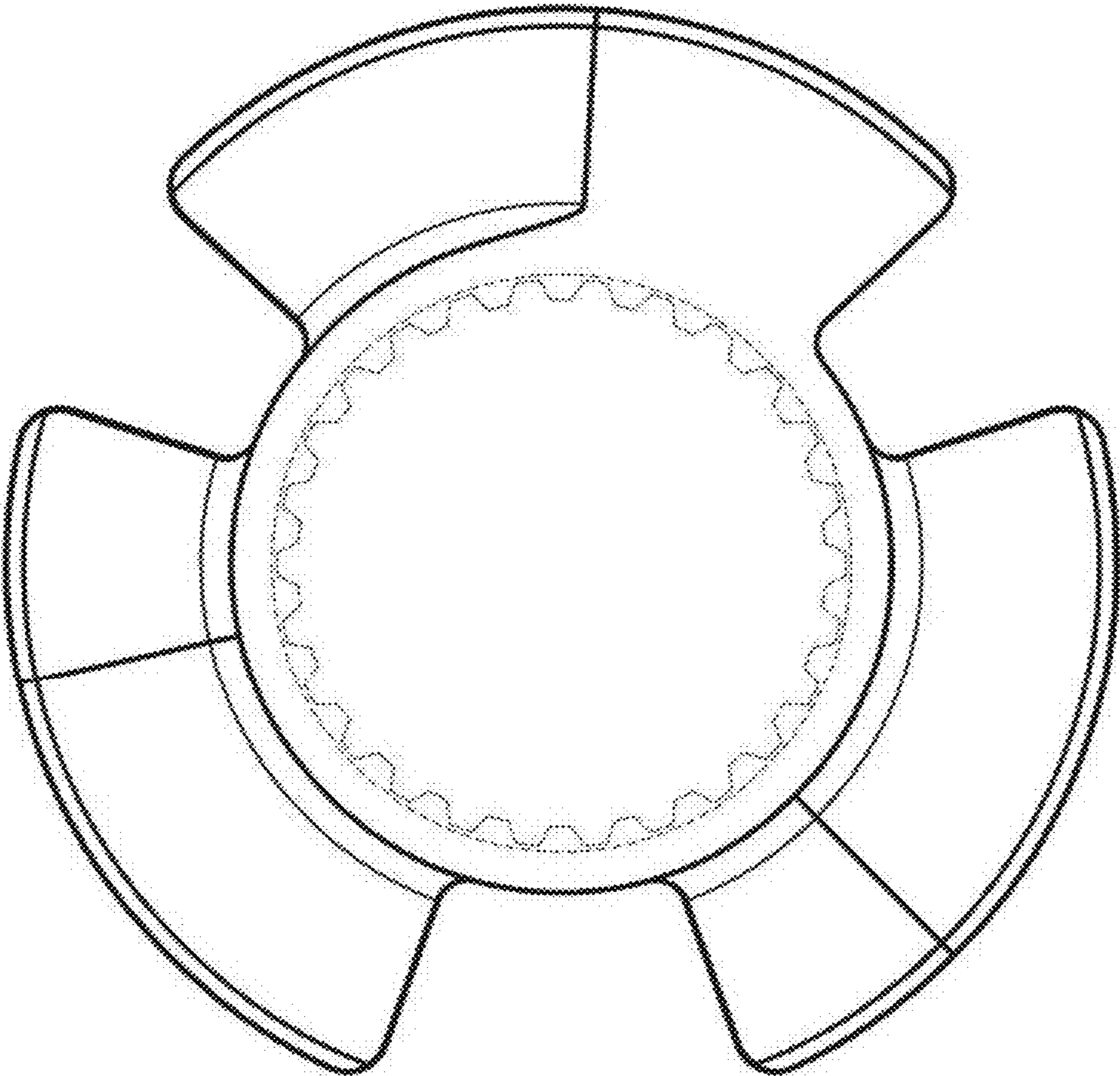


Fig. 2

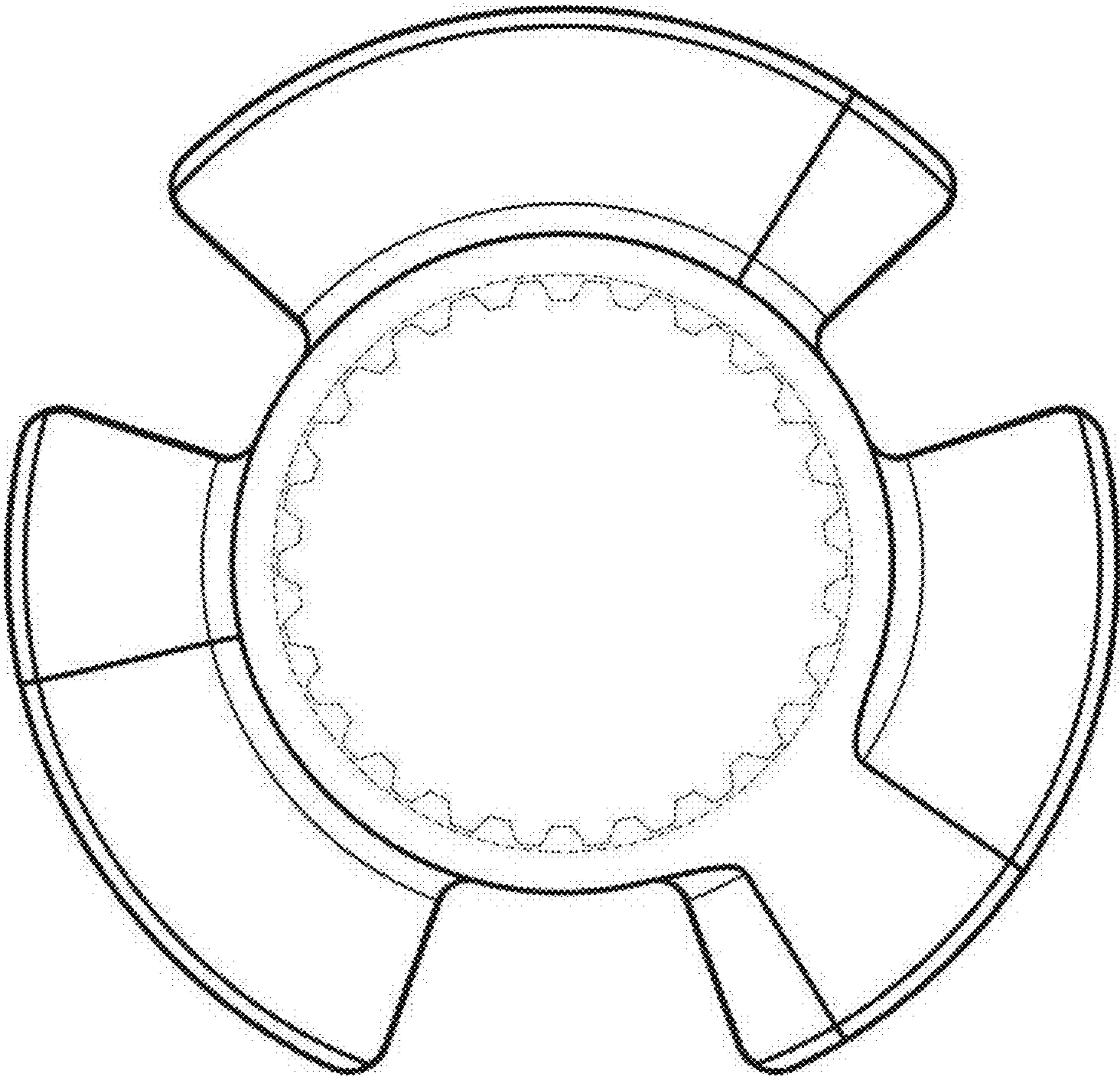


Fig. 3

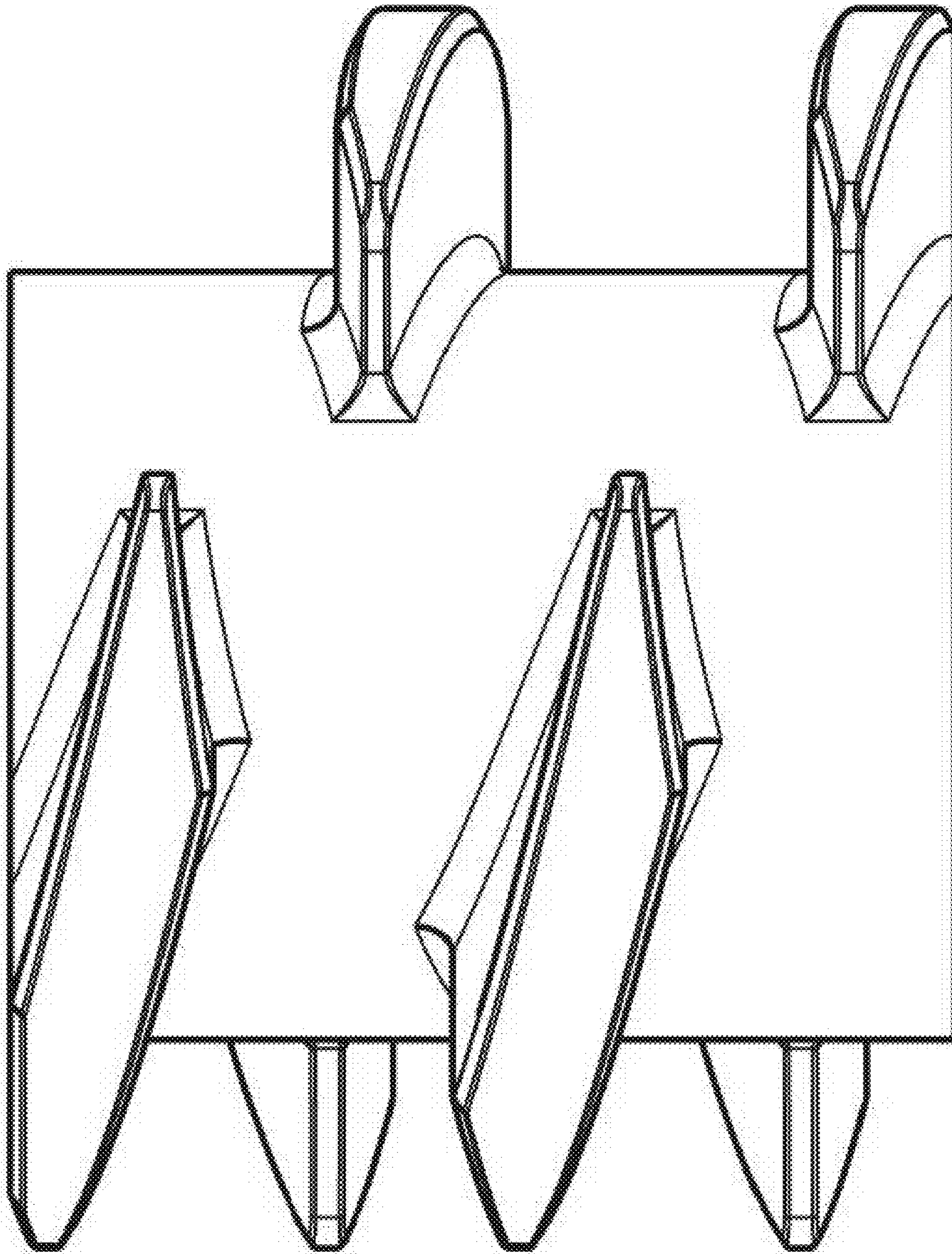


Fig. 4

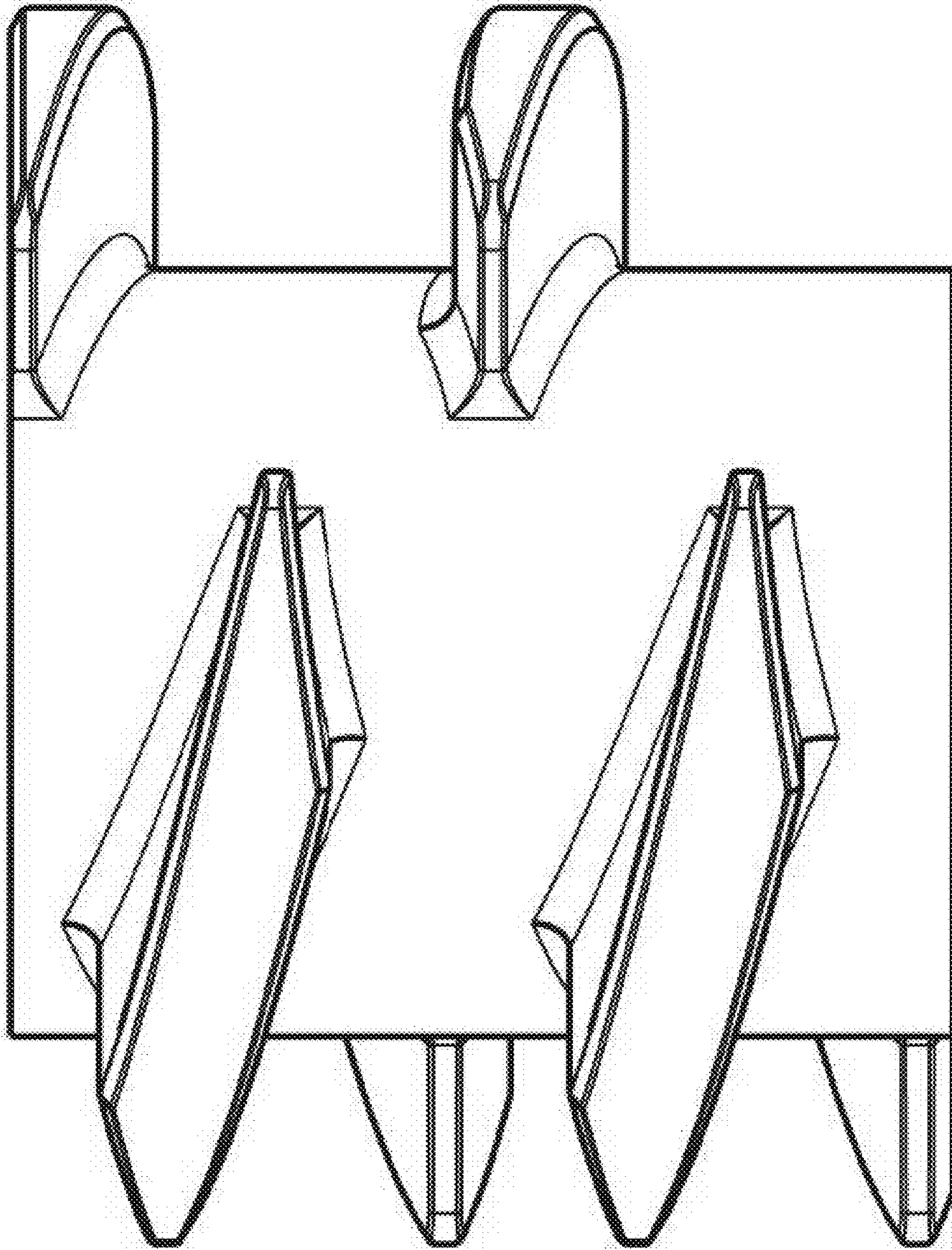


Fig. 5

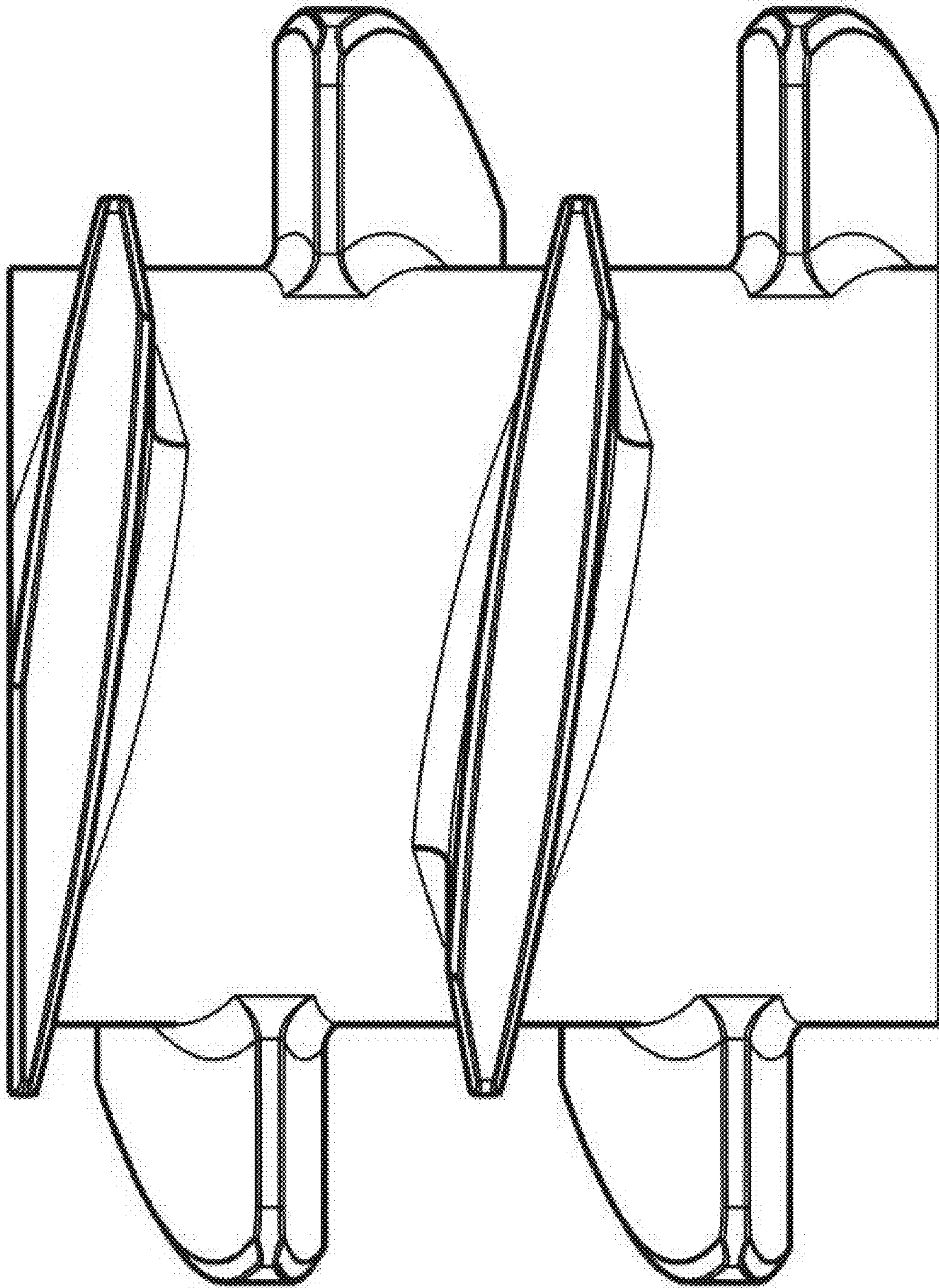


Fig. 6



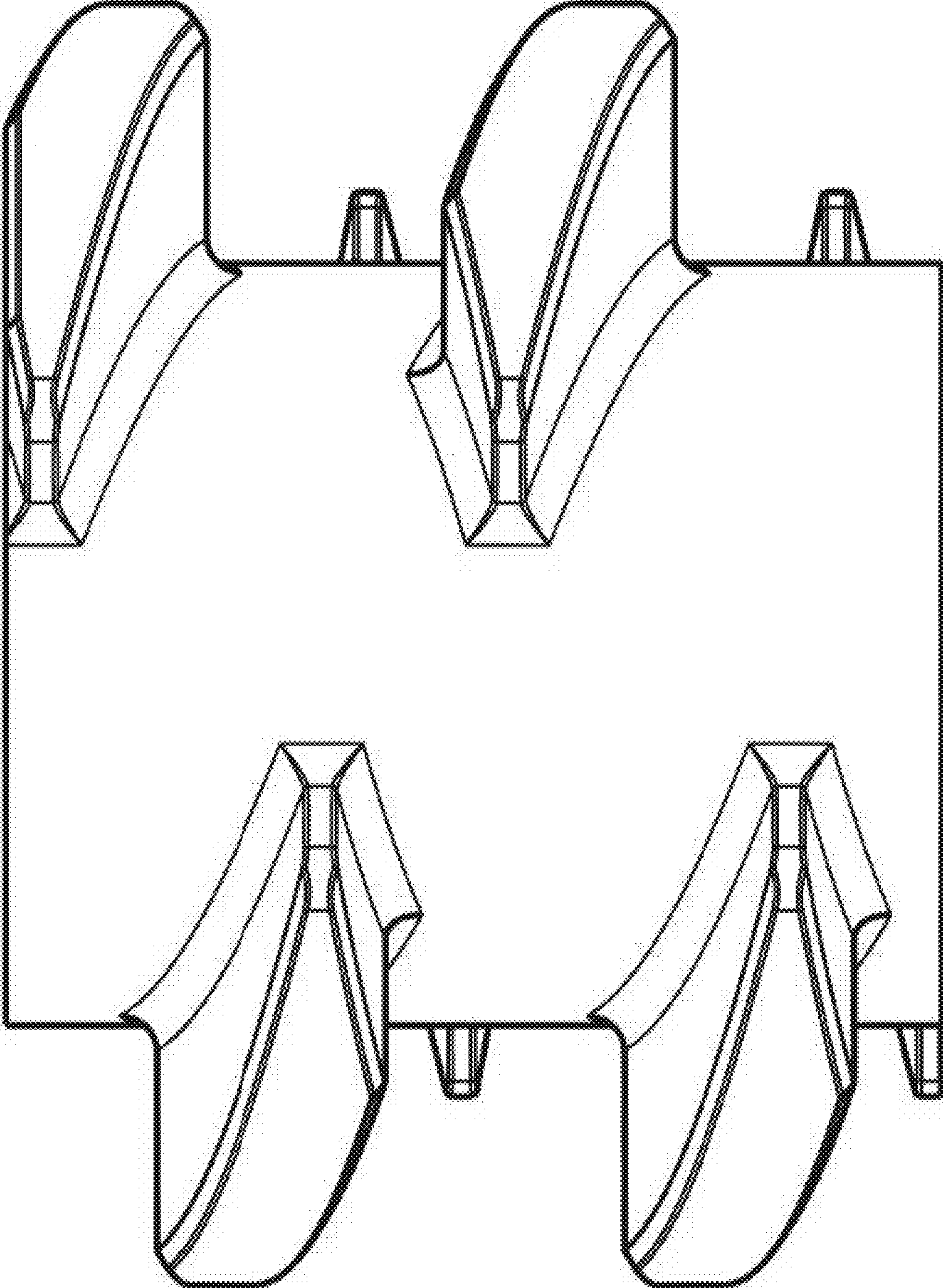


Fig. 7

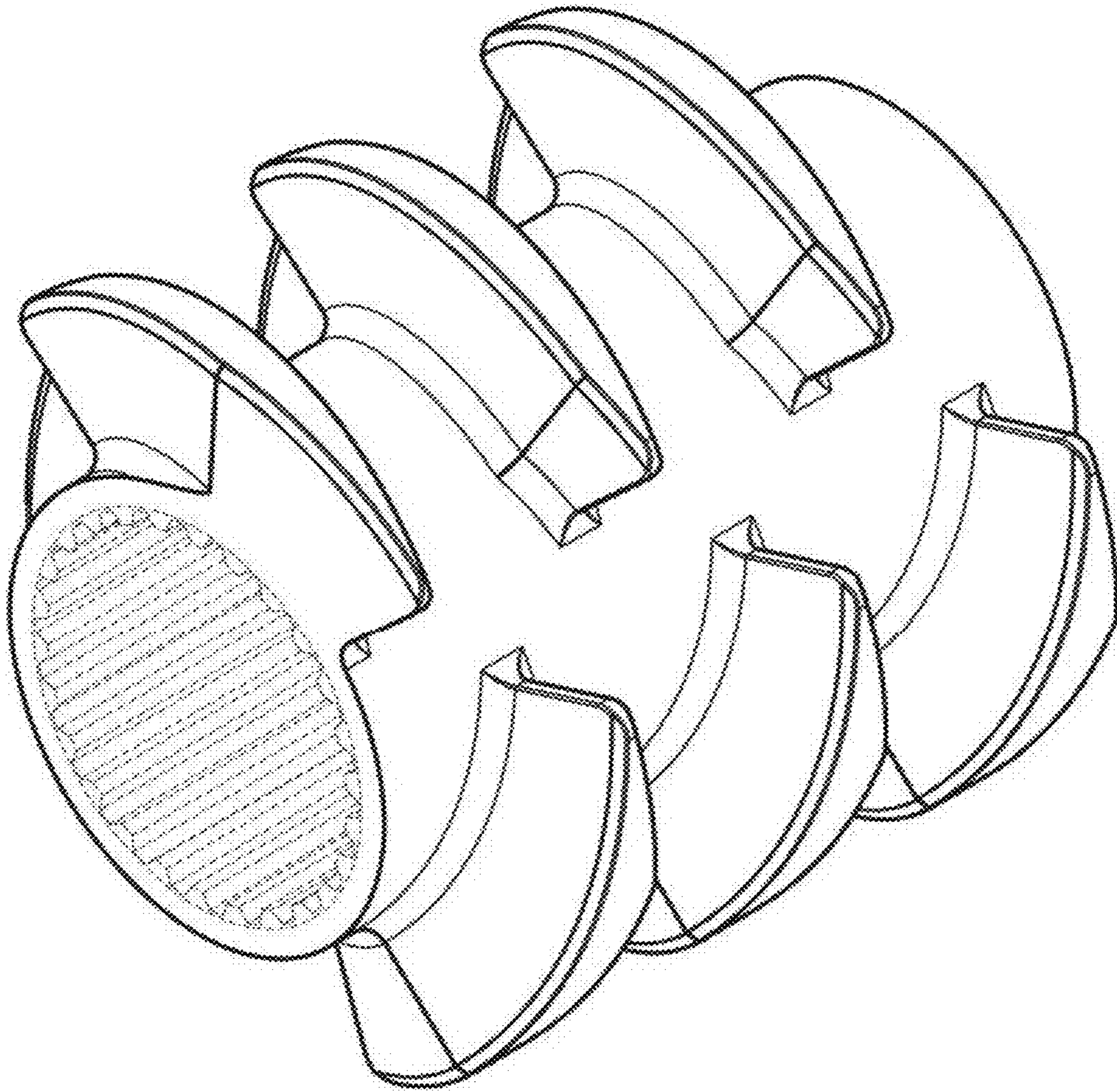


Fig. 8

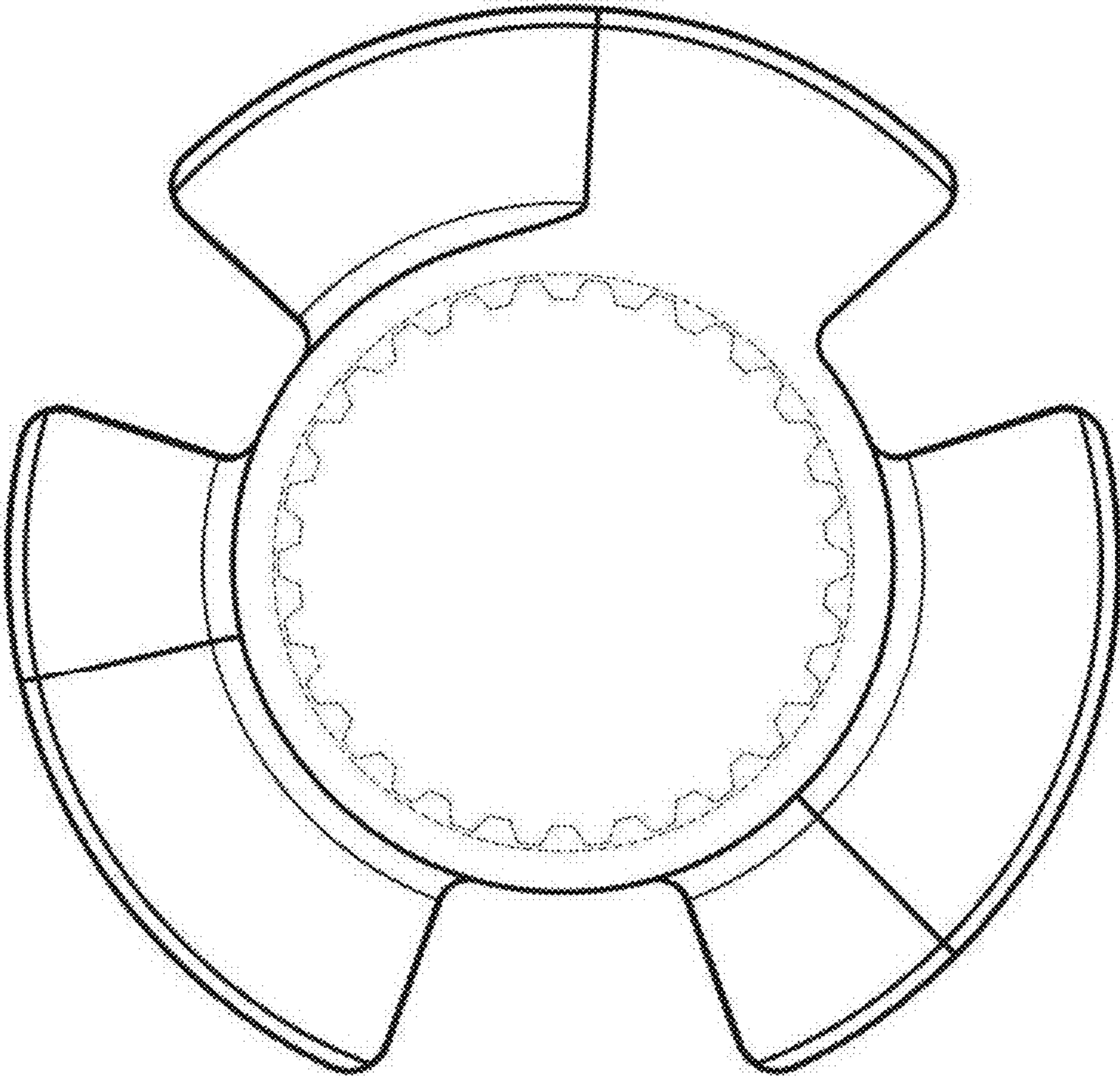


Fig. 9

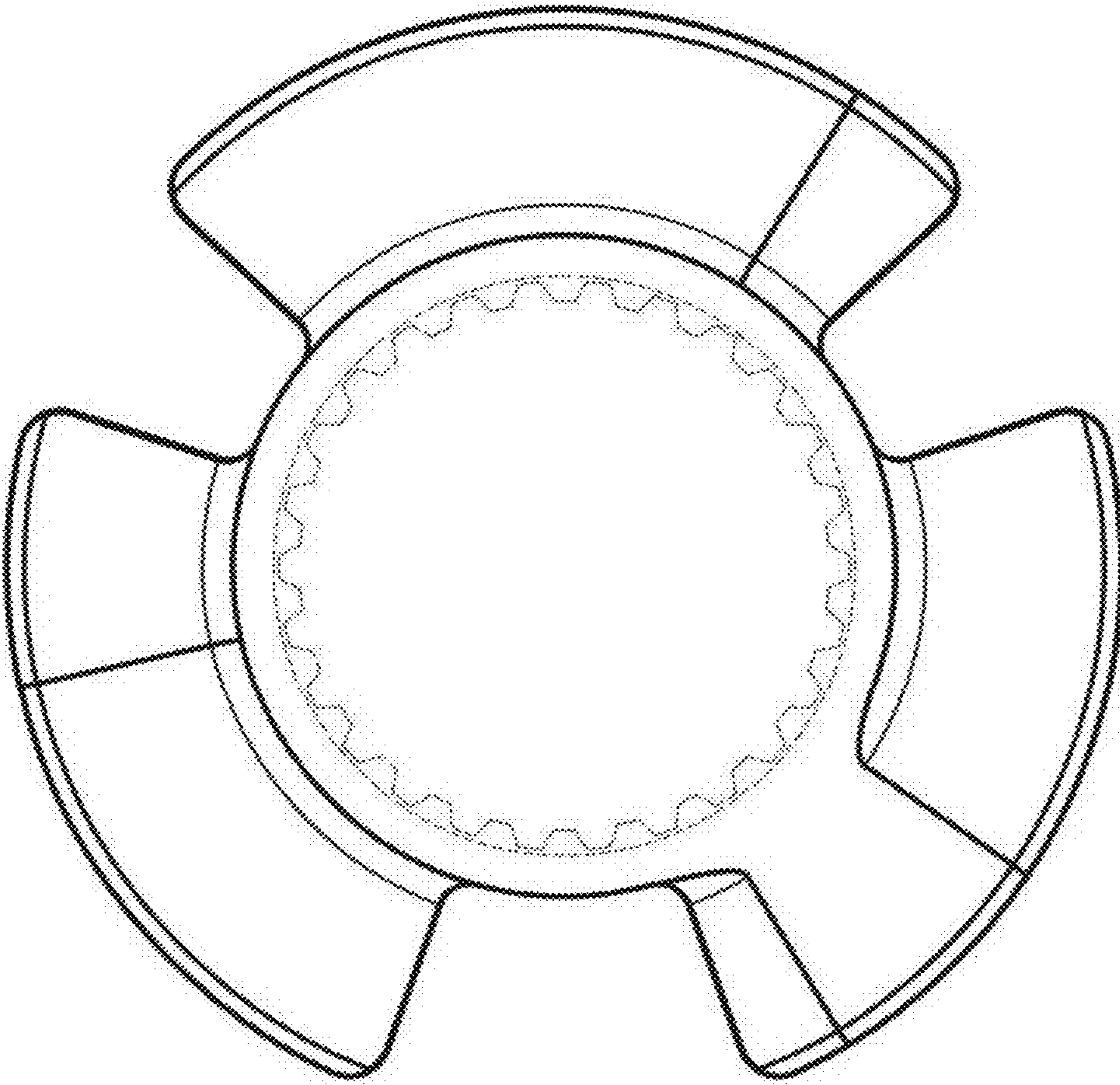


Fig. 10

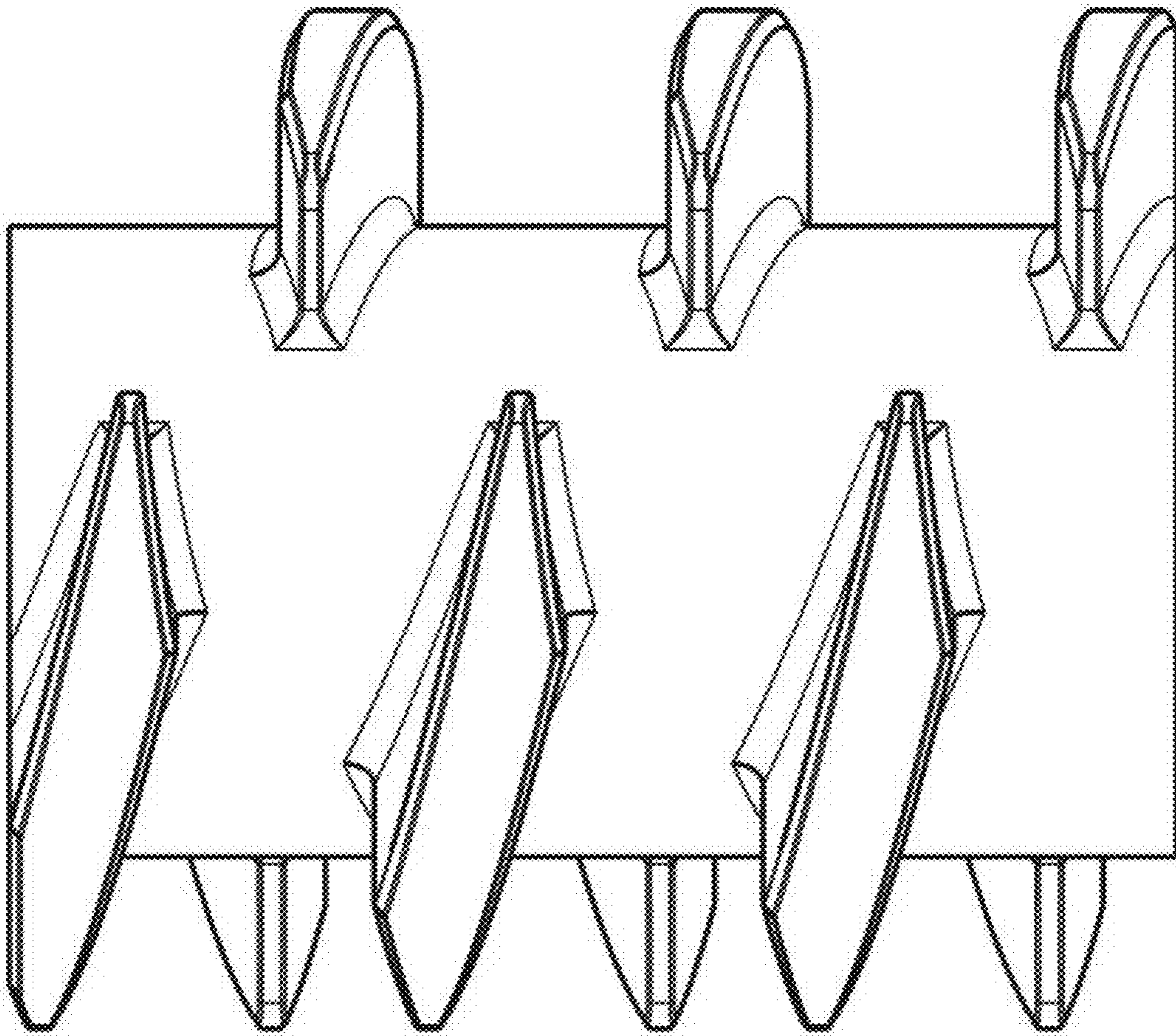


Fig. 11

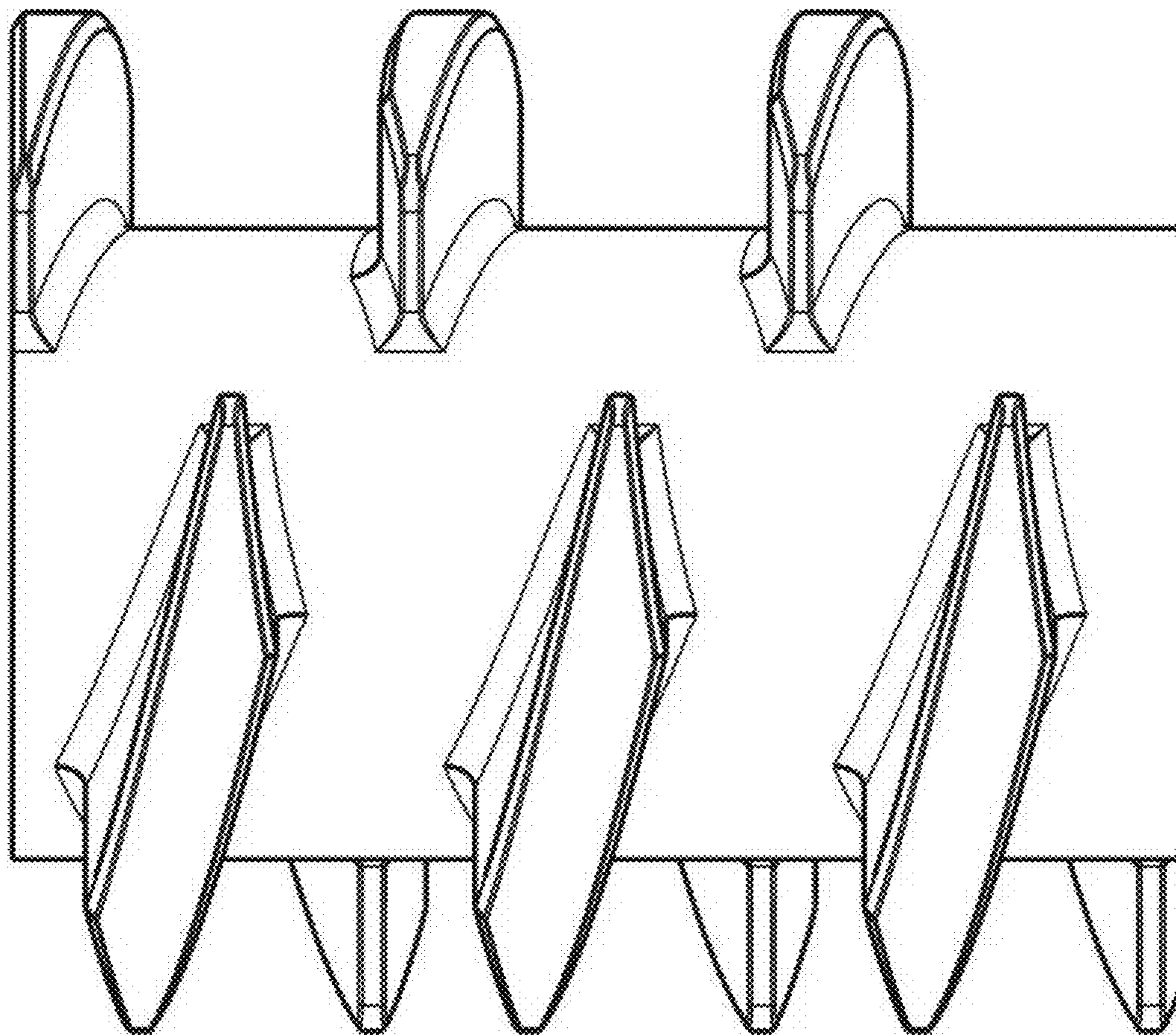


Fig. 12

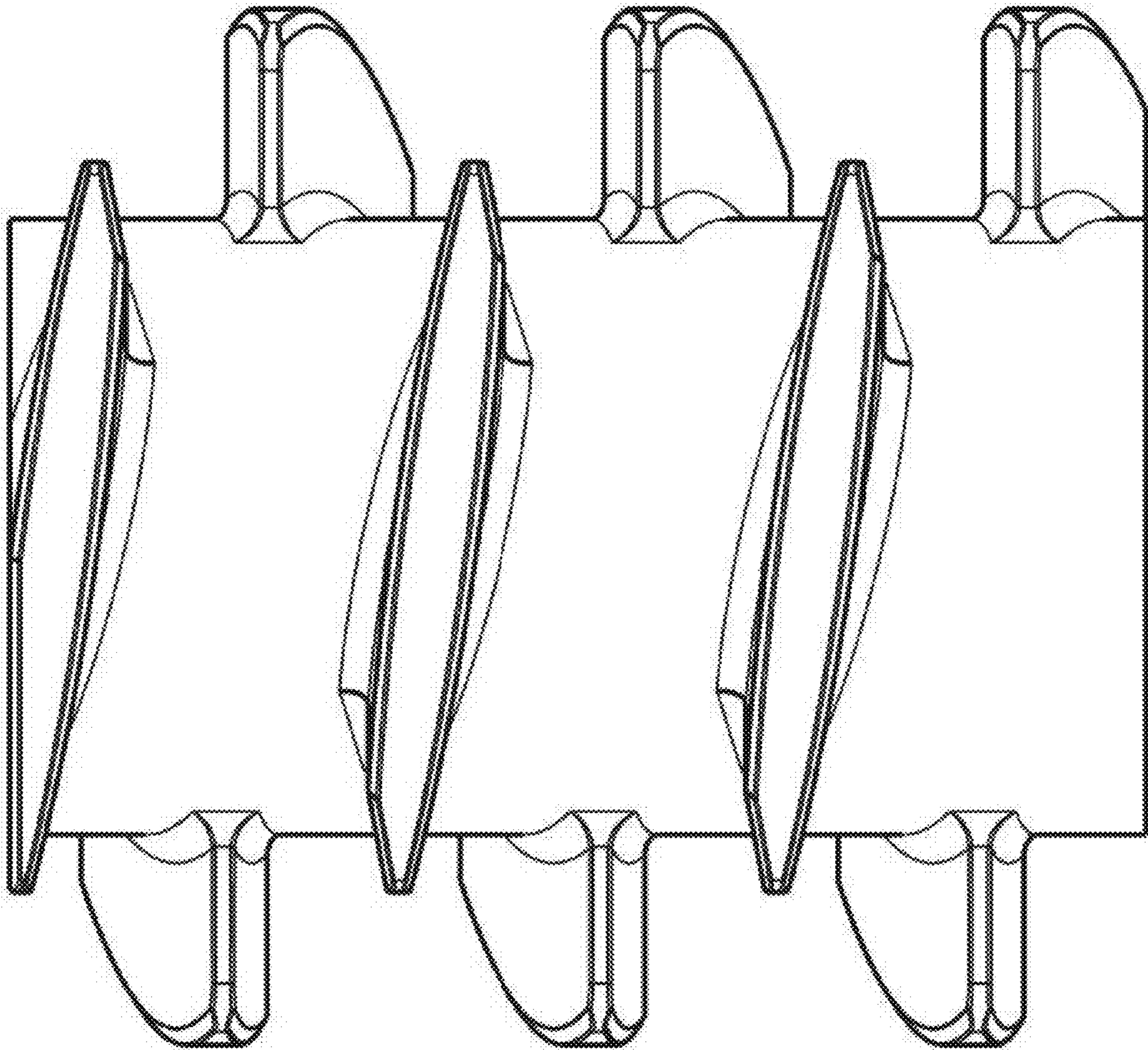


Fig. 13

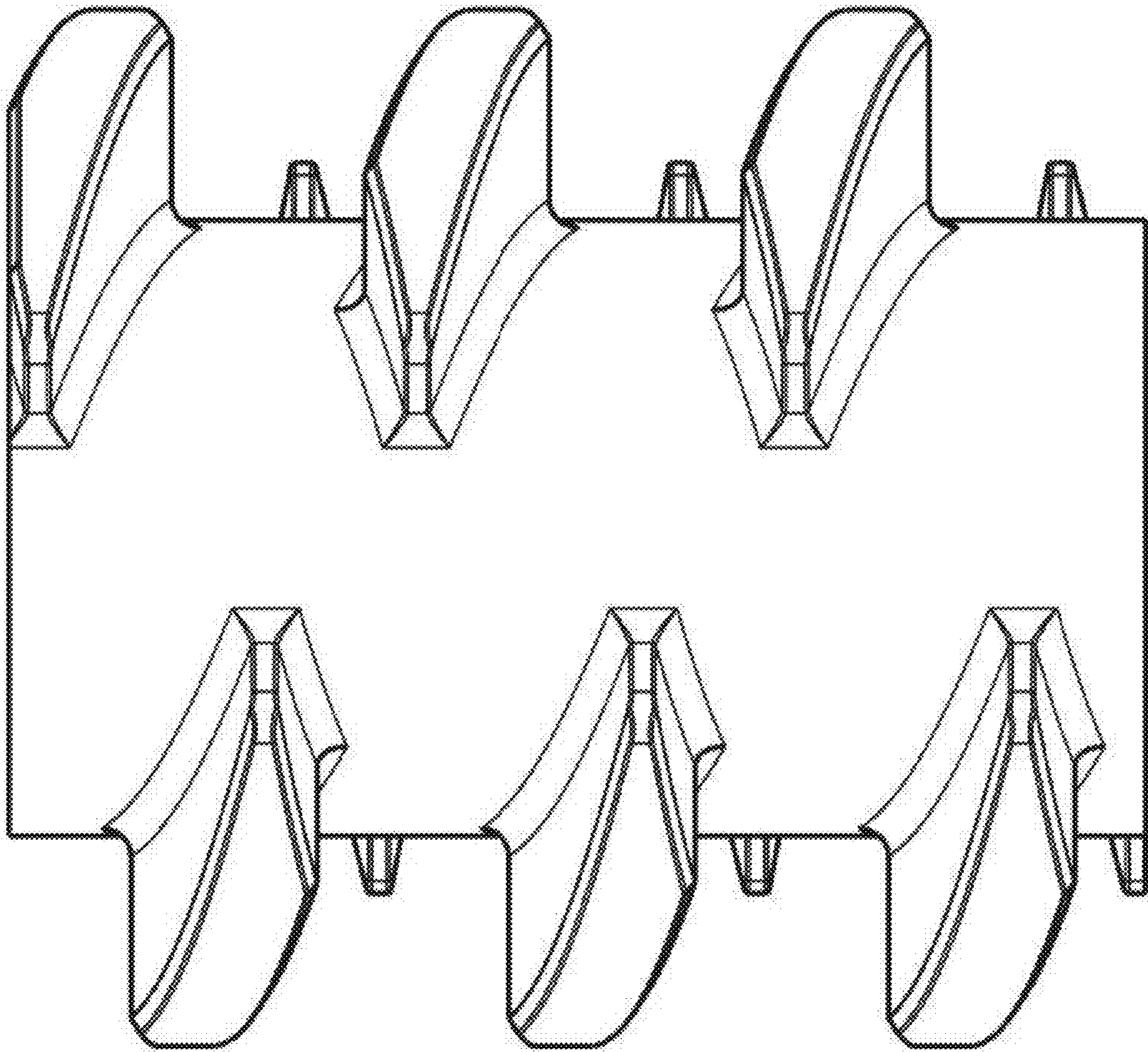


Fig. 14