

US00D966031S

(12) **United States Design Patent** (10) **Patent No.:** **US D966,031 S**
Gollnick et al. (45) **Date of Patent:** **** Oct. 11, 2022**

(54) **COFFEE GRINDER**

FOREIGN PATENT DOCUMENTS

(71) Applicant: **Hemro AG**, Bachenbülach (CH)
(72) Inventors: **Carsten Frank Gollnick**, Potsdam (DE); **Roy Grinfeld**, Shanghai (CN)

HK 2017222-0001 * 2/2021
HK 2017222-0002 * 2/2021

(Continued)

(73) Assignee: **Hemro AG**, Bachenbulach (CH)

OTHER PUBLICATIONS

(**) Term: **15 Years**

Voltage Restaurant Supply website, Mahlkonig K30 Vario Air Espresso Grinder Black, Publication date unknown, [site visited Mar. 31, 2022], Available on the Internet URL: <https://www.voltagerestaurantsupply.com/products/mahlkonig-k30-air> (Year: 2022).*

(21) Appl. No.: **35/512,001**

(Continued)

(22) Filed: **Dec. 9, 2020**

(80) **Hague Agreement Data**

Primary Examiner — S. Bryan Reinholdt, Jr.

Int. Filing Date: **Dec. 9, 2020**

(74) *Attorney, Agent, or Firm* — Cowen, Liebowitz & Latman, P.C.; Anastasia Zhadina

Int. Reg. No.: **DM/211739**

Int. Reg. Date: **Dec. 9, 2020**

Int. Reg. Pub. Date: **Jun. 11, 2021**

(51) **LOC (13) Cl.** **31-00**

(52) **U.S. Cl.**
USPC **D7/373**

(58) **Field of Classification Search**
USPC D7/300, 319, 376, 373, 379, 384, 392.1, D7/397, 400, 511, 515
CPC A47J 42/00; A47J 42/08; A47J 42/50
See application file for complete search history.

(57) **CLAIM**

The ornamental design for a coffee grinder, as shown and described.

(56) **References Cited**

DESCRIPTION

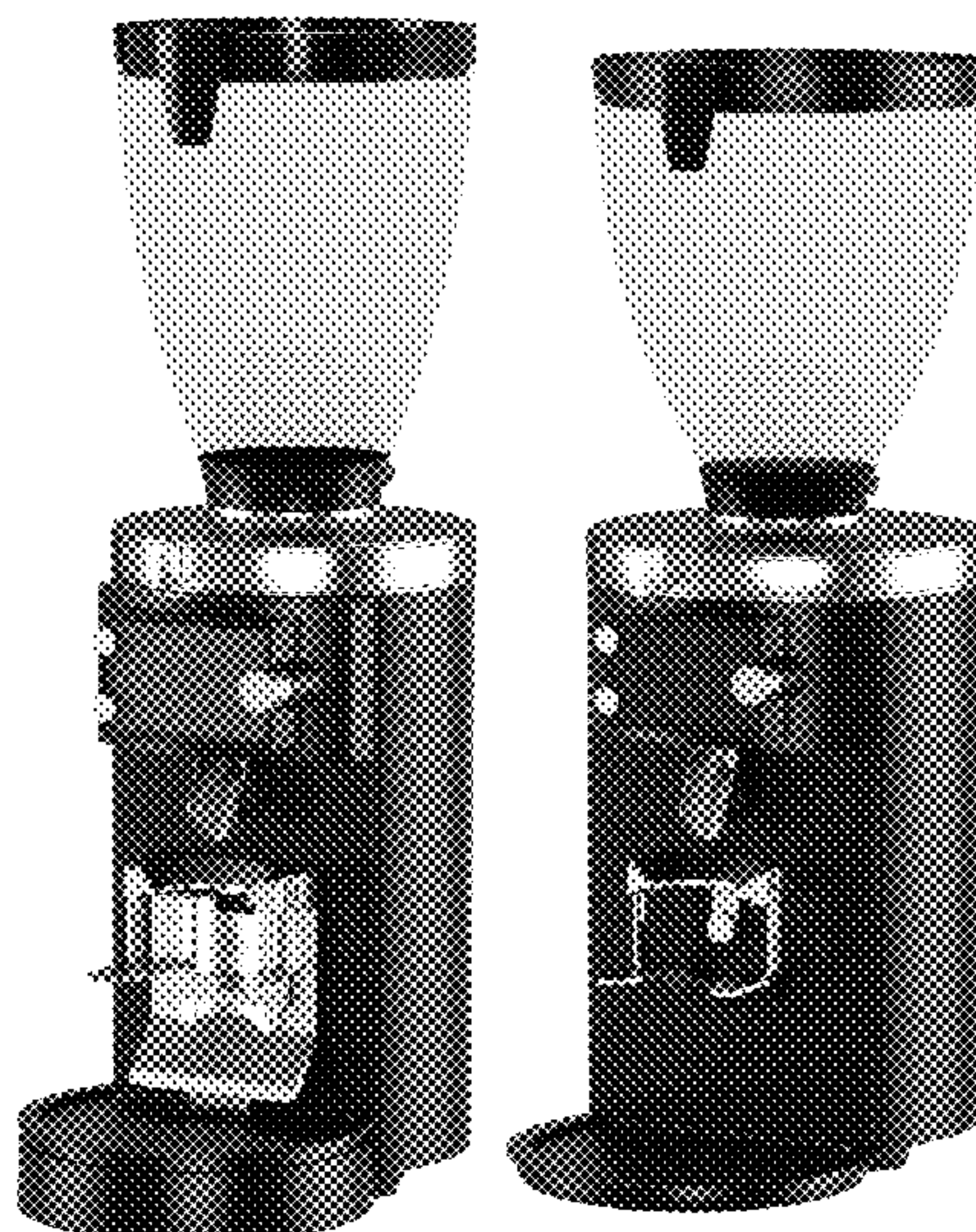
U.S. PATENT DOCUMENTS

D361,919 S * 9/1995 Fouquet D7/373
D408,207 S * 4/1999 Bourke D7/300
D420,248 S * 2/2000 Uemura D7/373
D437,523 S * 2/2001 Glucksman D7/373
D500,427 S * 1/2005 Fung D7/373
D538,099 S * 3/2007 Fouquet D7/373
D673,419 S * 1/2013 De Pra D7/378
D723,858 S * 3/2015 Ye D7/397
D839,659 S * 2/2019 Cometti D7/373
D876,157 S * 2/2020 Gollnick D7/373
2018/0344088 A1 * 12/2018 Alessi A47J 42/40

- 1. Coffee grinder
- 2. Coffee grinder
- 1.1 : Perspective
- 1.2 : Front
- 1.3 : Left
- 1.4 : Right
- 1.5 : Back
- 1.6 : Top
- 1.7 : Bottom
- 2.1 : Perspective
- 2.2 : Front
- 2.3 : Left
- 2.4 : Right
- 2.5 : Back
- 2.6 : Top
- 2.7 : Bottom

(Continued)

1 Claim, 14 Drawing Sheets



(56)

References Cited

U.S. PATENT DOCUMENTS

2021/0106177 A1* 4/2021 Dunkelberg A47J 42/18
2021/0153692 A1* 5/2021 Lissandron A47J 42/50

FOREIGN PATENT DOCUMENTS

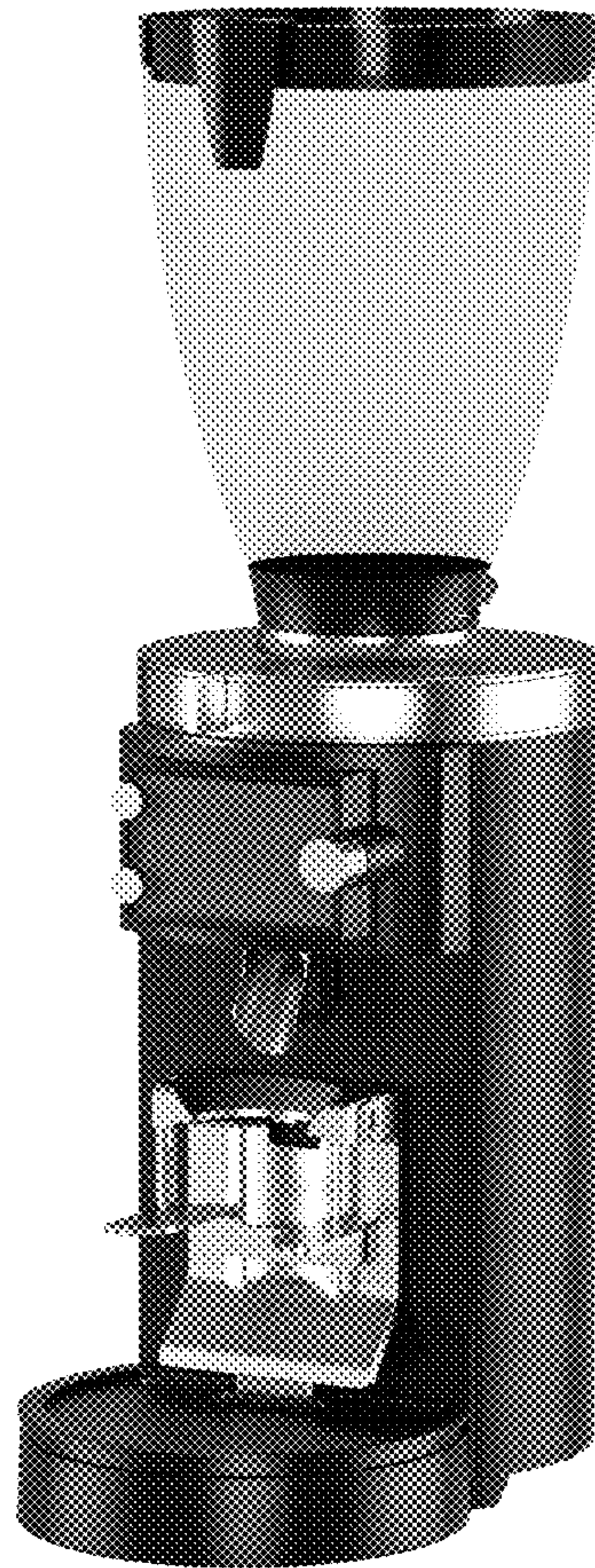
HK	2017222-0003	*	2/2021
HK	2117856-0001	*	5/2021
HK	2117856-0002	*	5/2021
JP	1632155		4/2019
JP	D1696118	*	10/2021
TW	107303919		4/2019
TW	212684-0001	*	7/2021
TW	212685-0001	*	7/2021
TW	215003-0001	*	11/2021
TW	215981-0001	*	12/2021
TW	216577-0001	*	1/2022
WO	DM/101687-002		6/2018

OTHER PUBLICATIONS

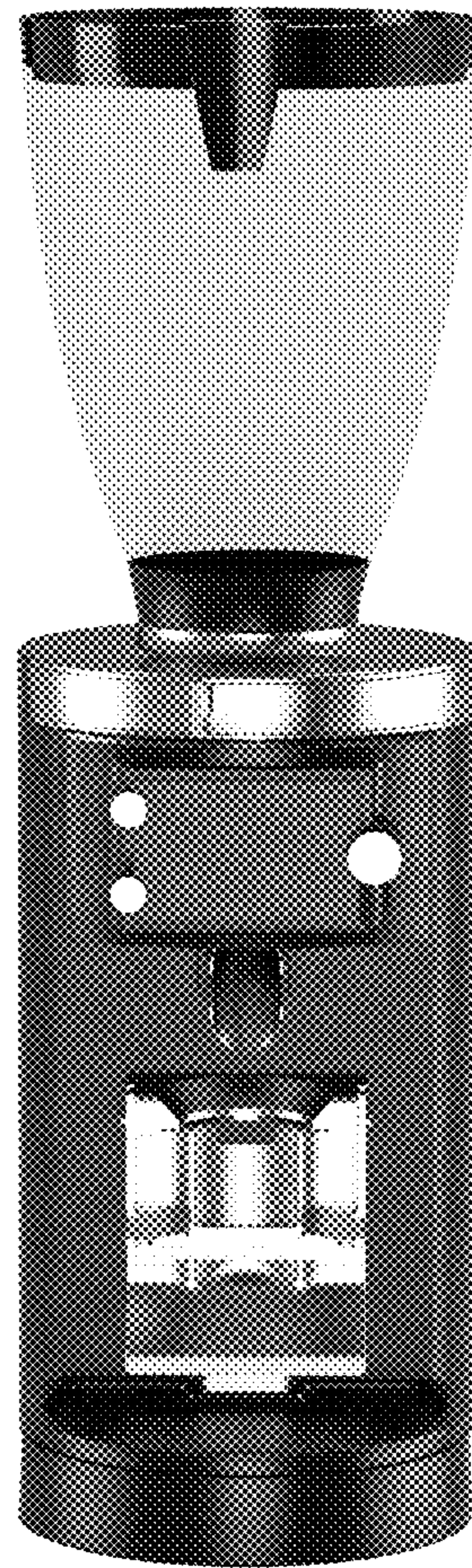
YouTube—Prima Coffee Equipment, Publication date Jun. 25, 2021, [site visited Mar. 31, 2022], Available on the Internet URL: <https://www.youtube.com/watch?v=NXdy1J8AsLQ> (Year: 2021).*

* cited by examiner

1.1



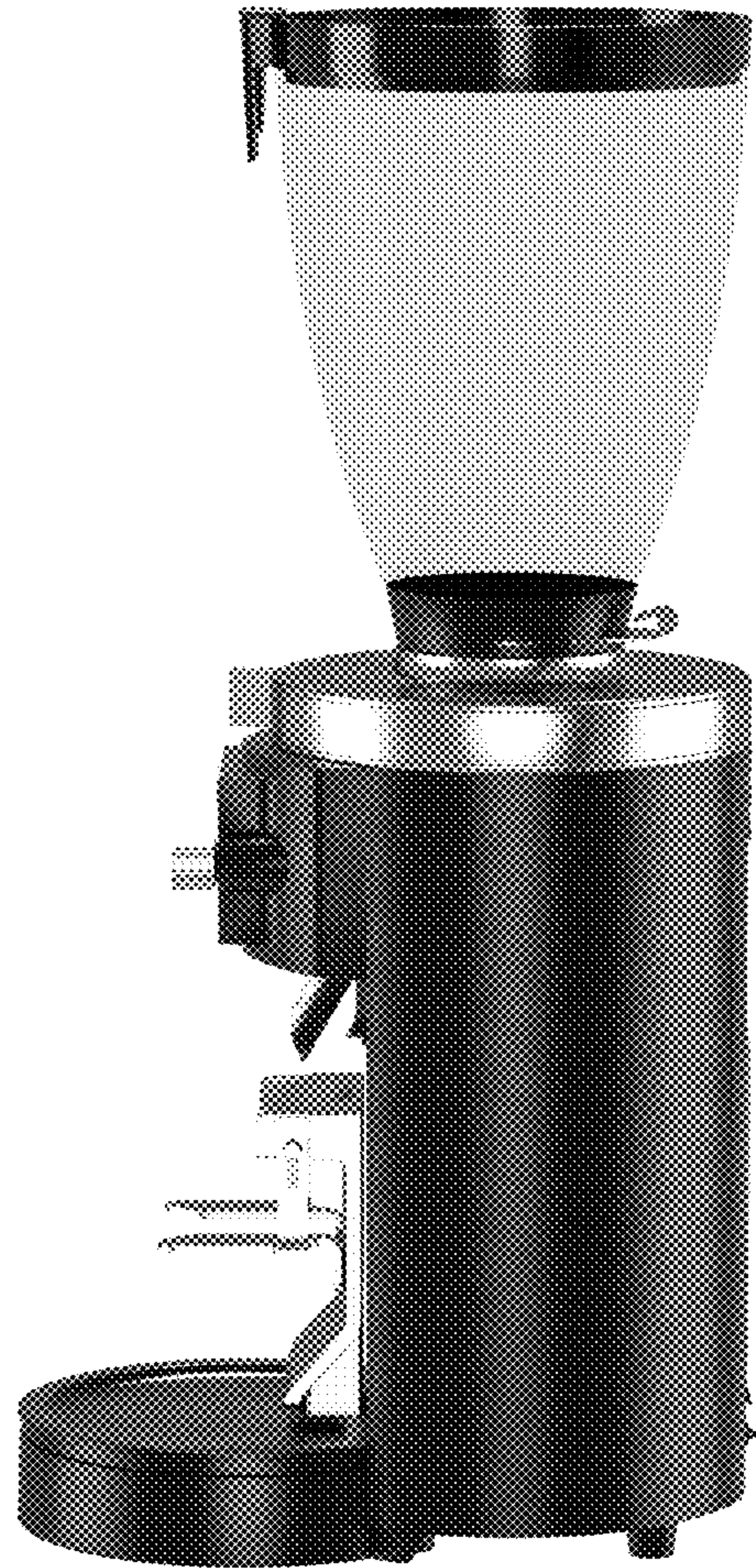
1.2



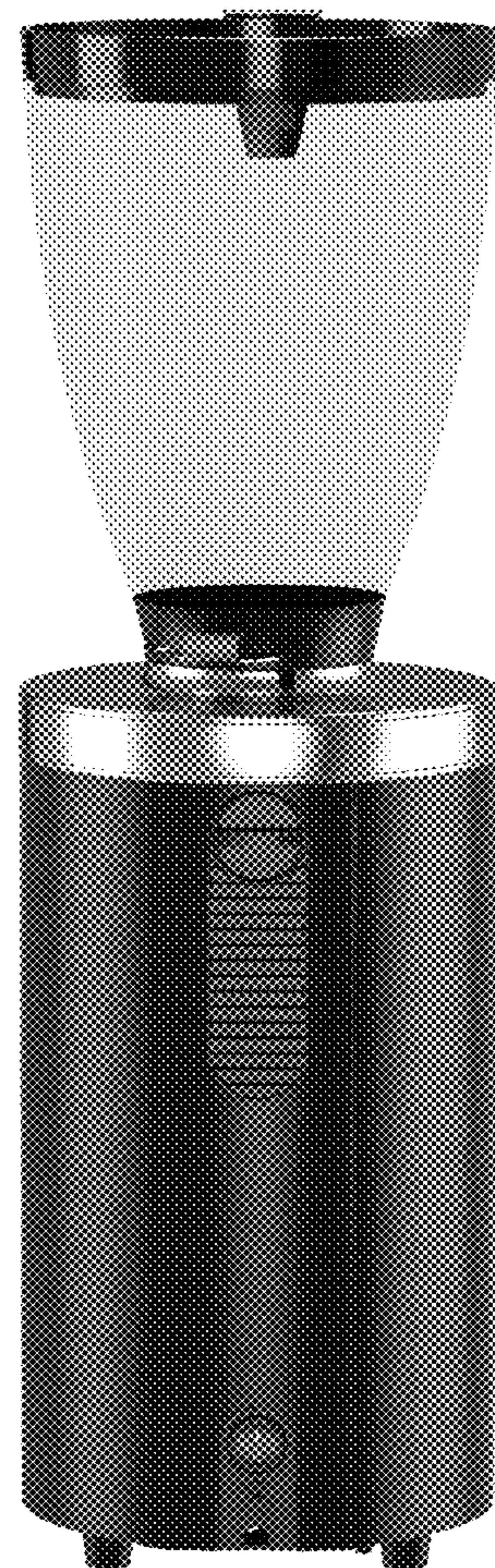
1.3



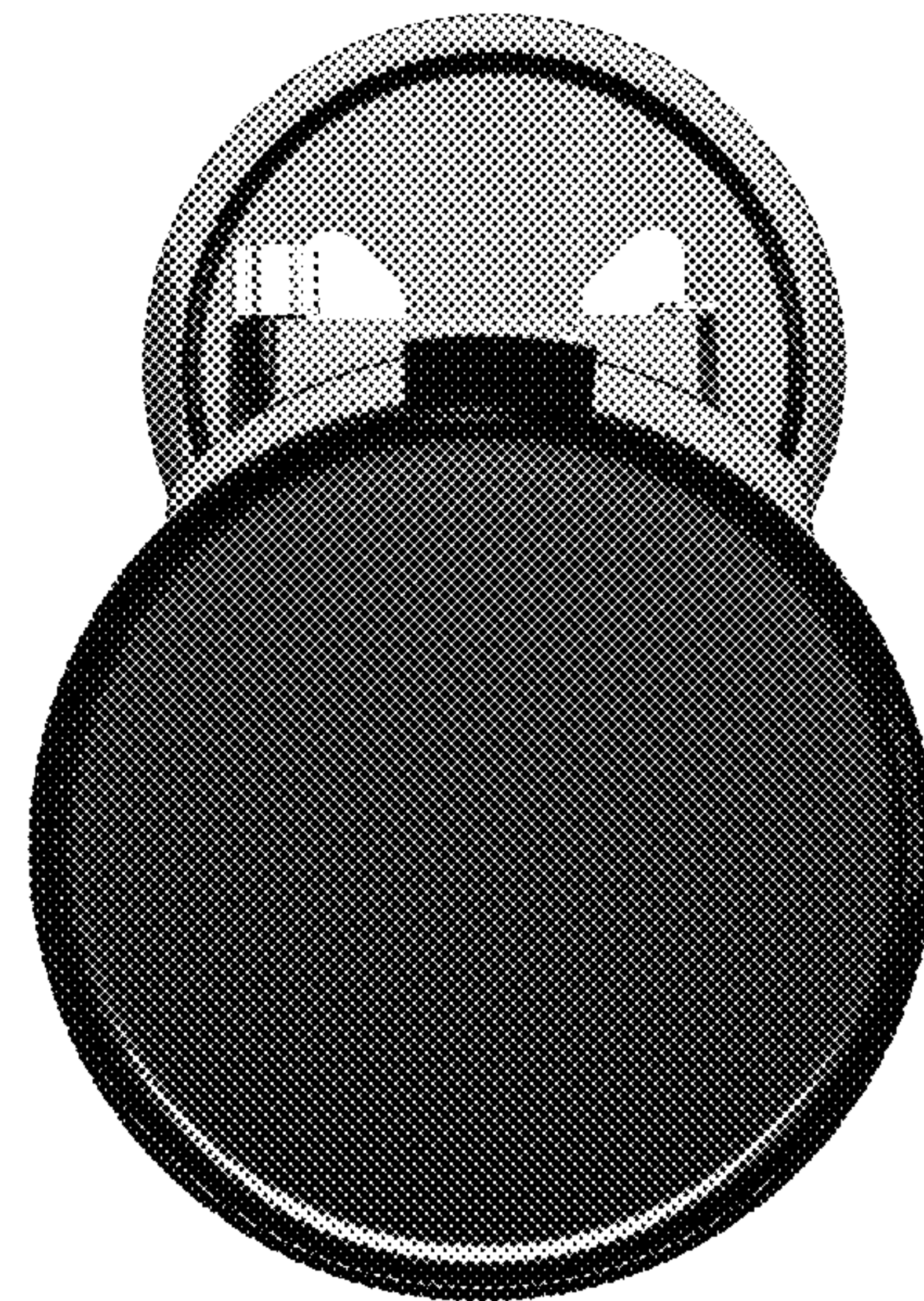
1.4



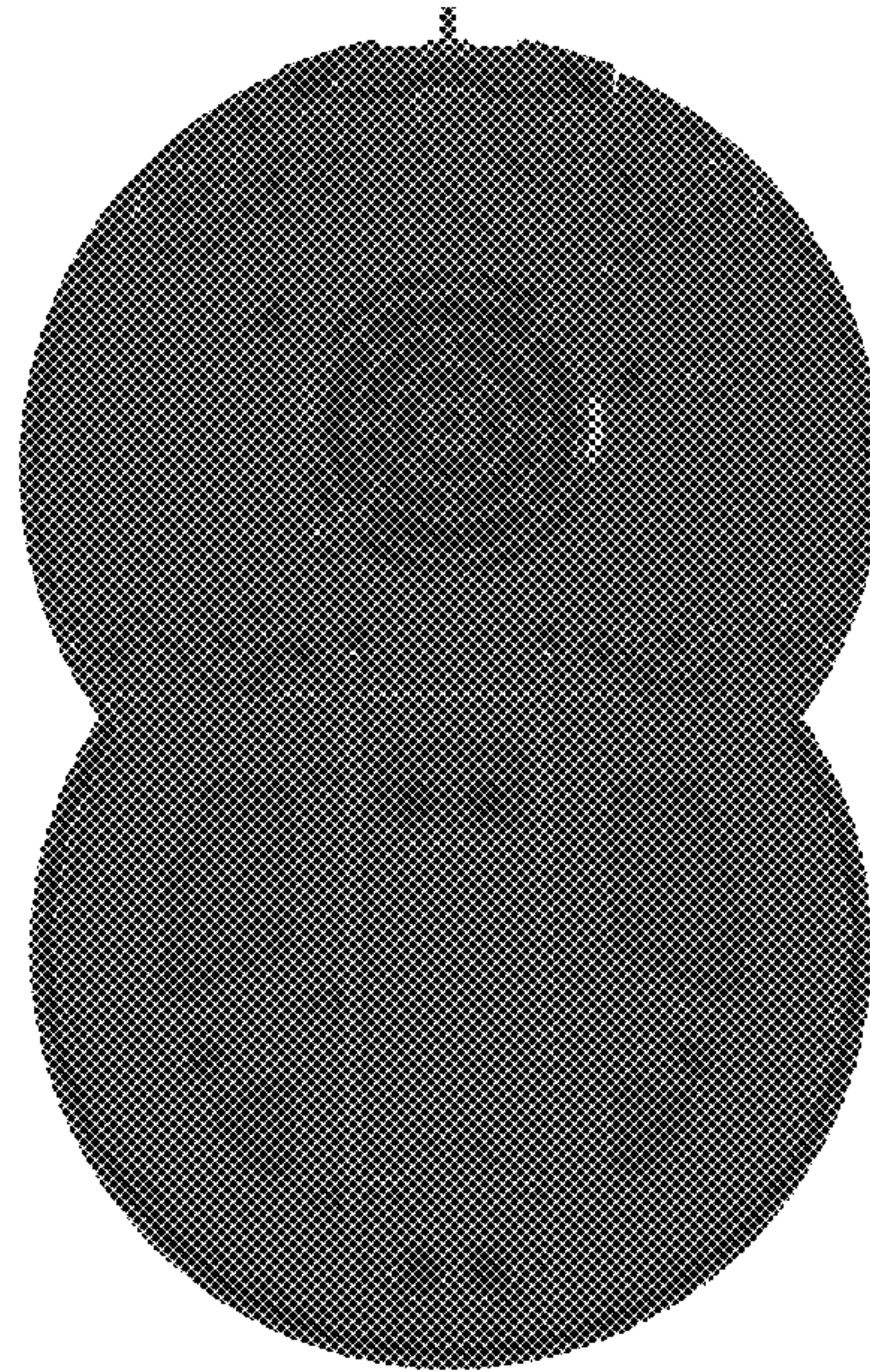
1.5



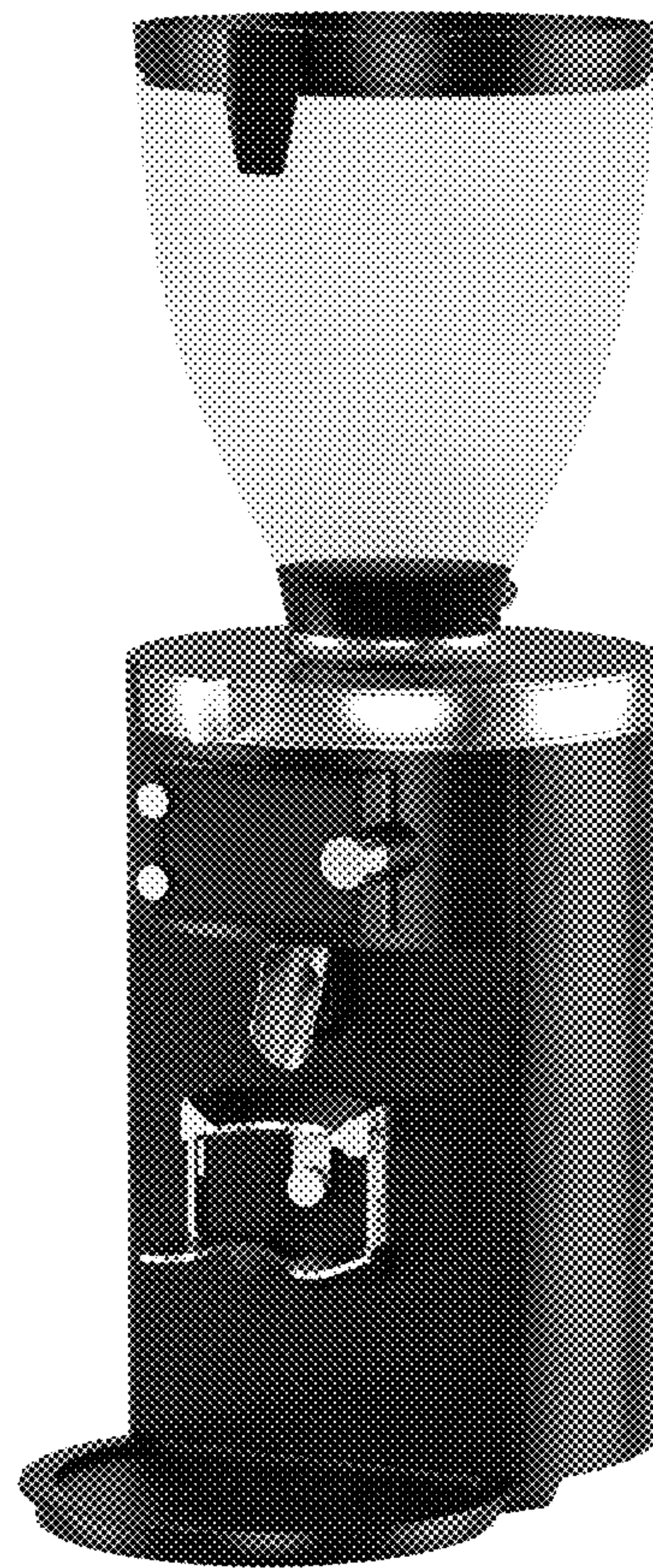
1.6



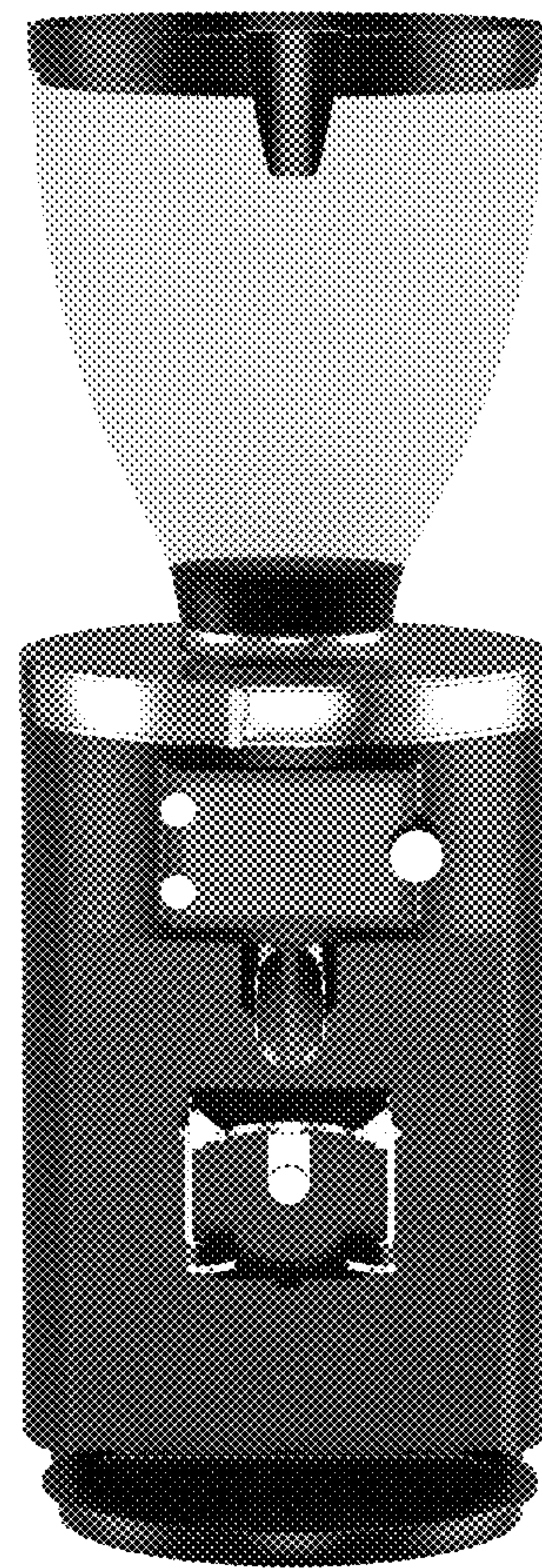
1.7



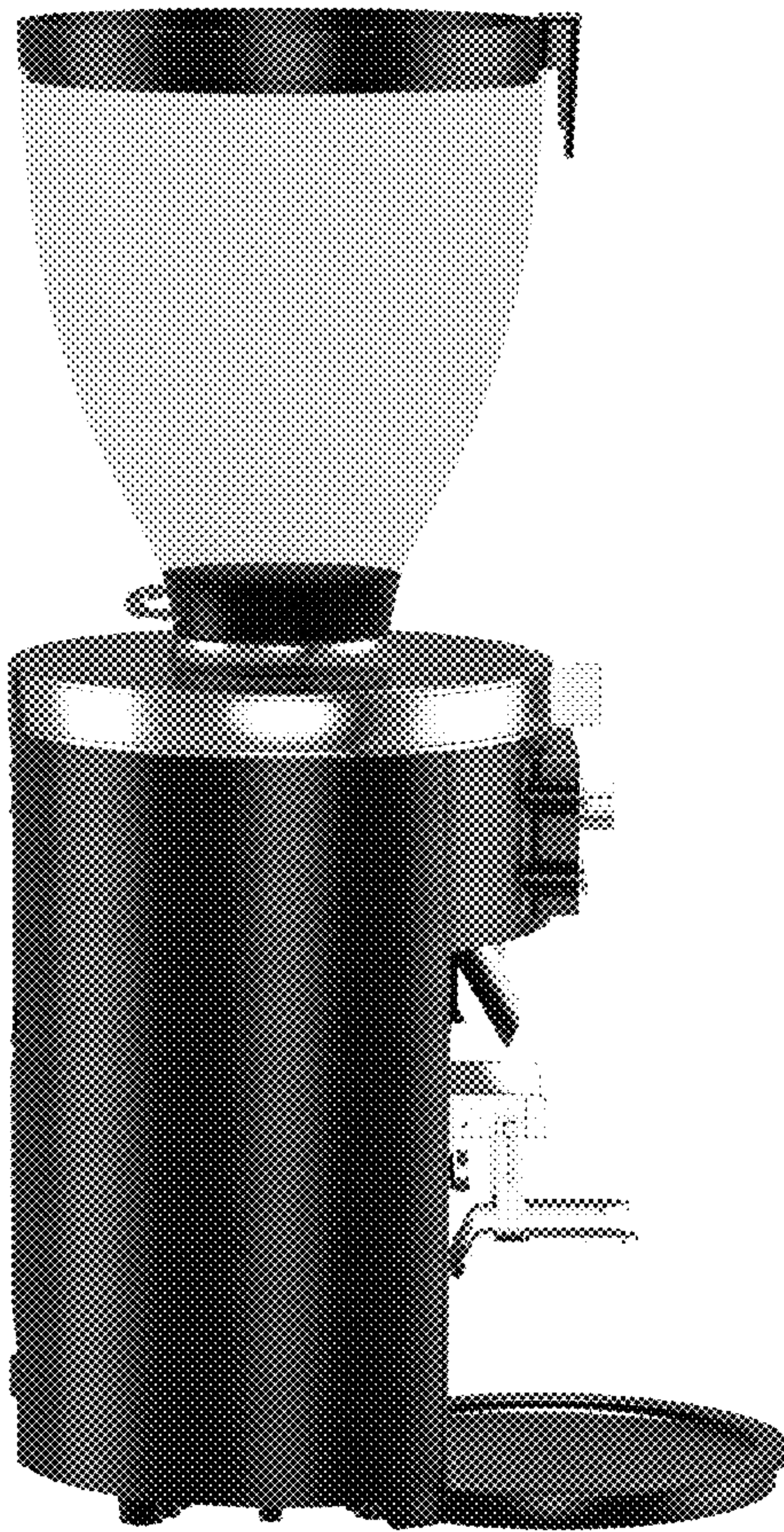
2.1



2.2



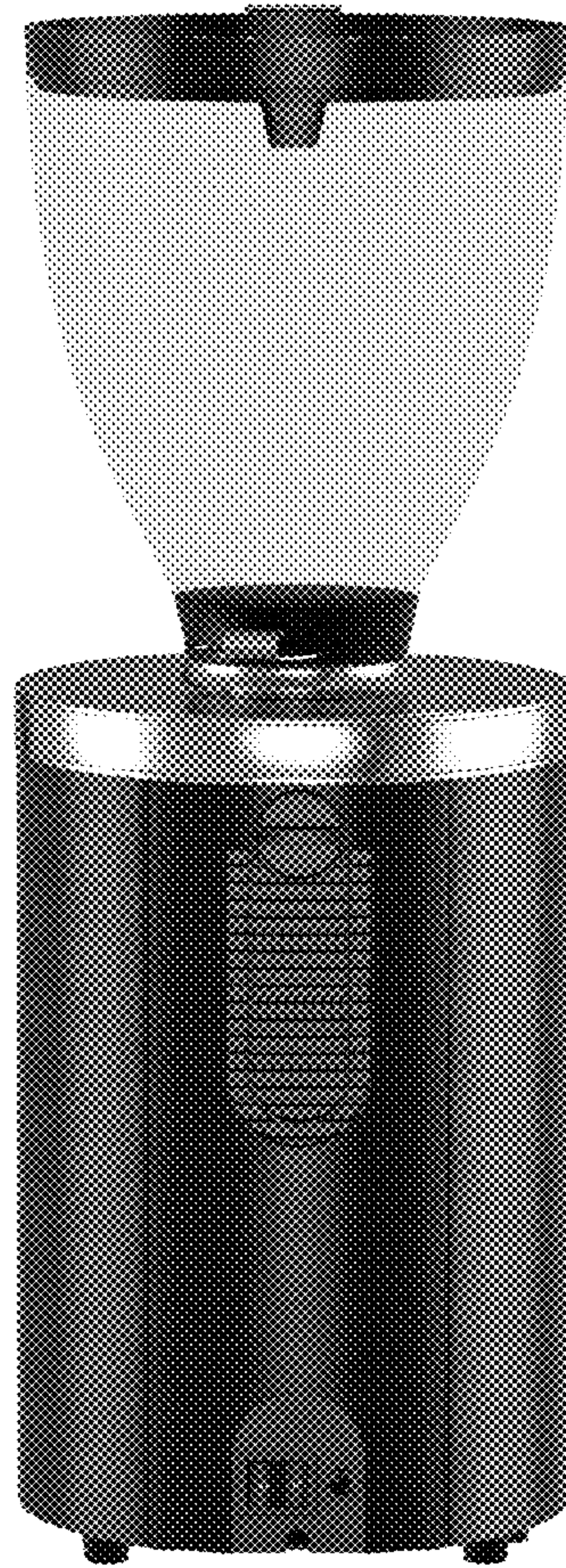
2.3



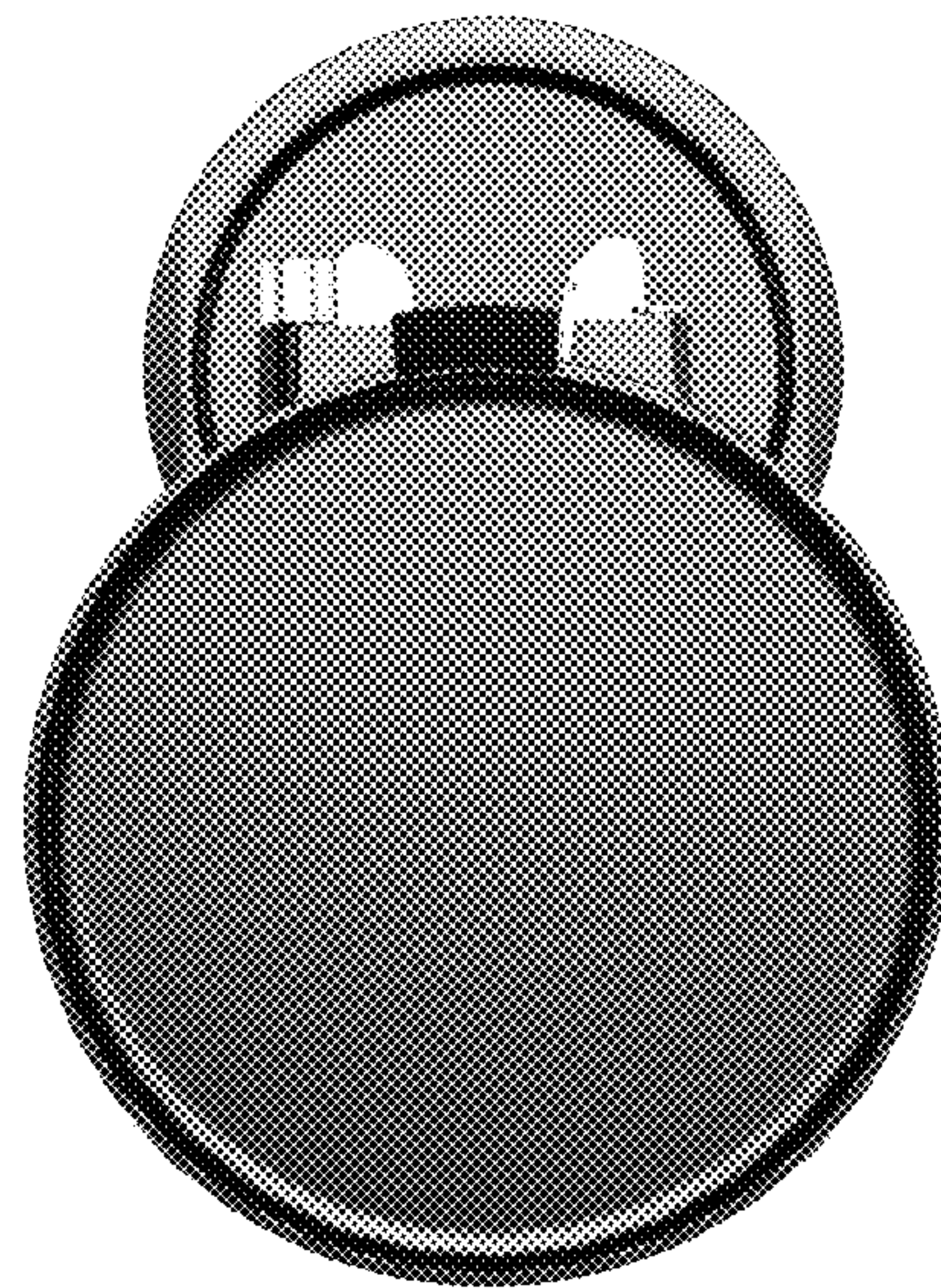
2.4



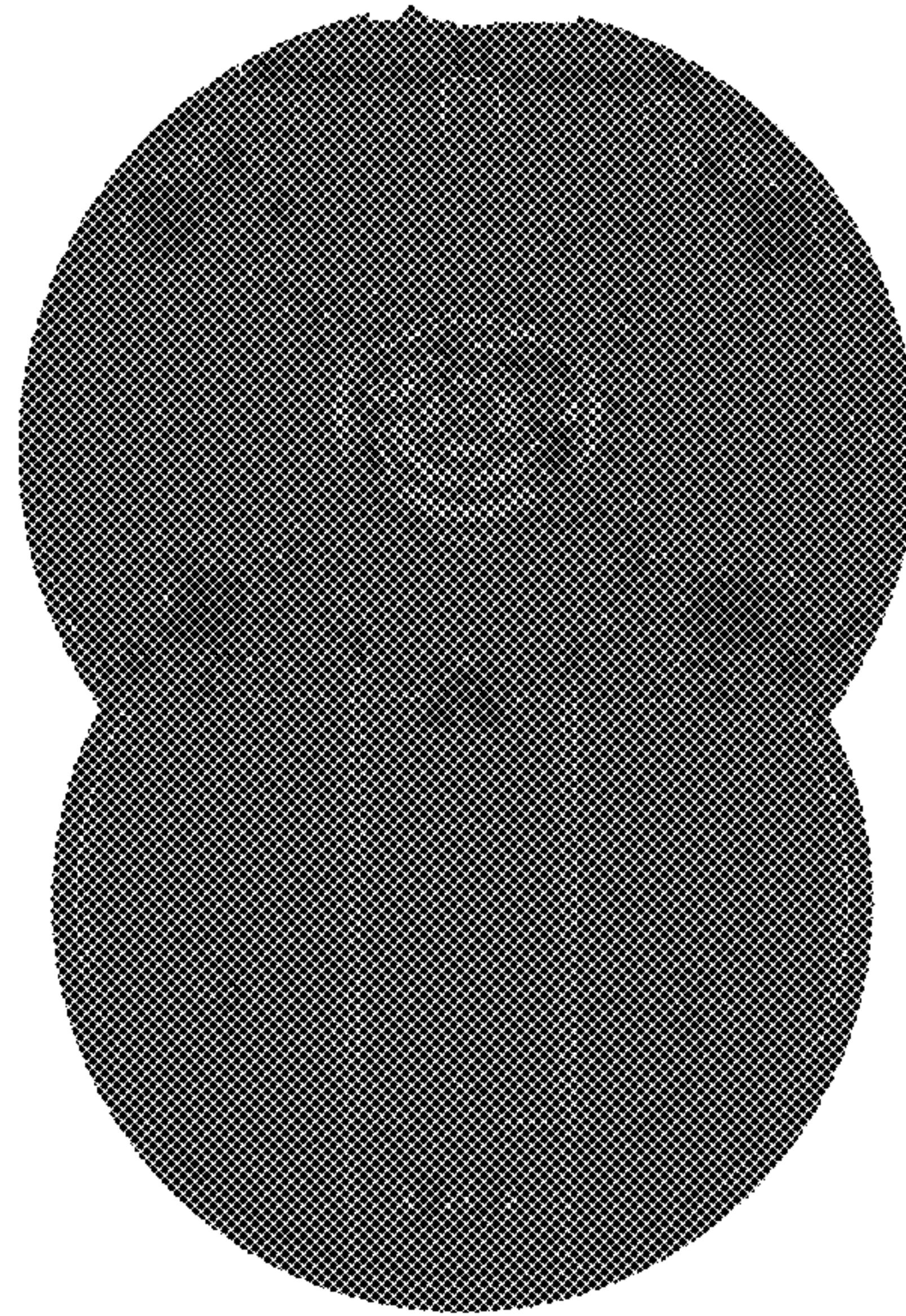
2.5



2.6



2.7



UNITED STATES PATENT AND TRADEMARK OFFICE
CERTIFICATE OF CORRECTION

PATENT NO. : D966,031 S
APPLICATION NO. : 35/512001
DATED : October 11, 2022
INVENTOR(S) : Carsten Frank Gollnick et al.

Page 1 of 1

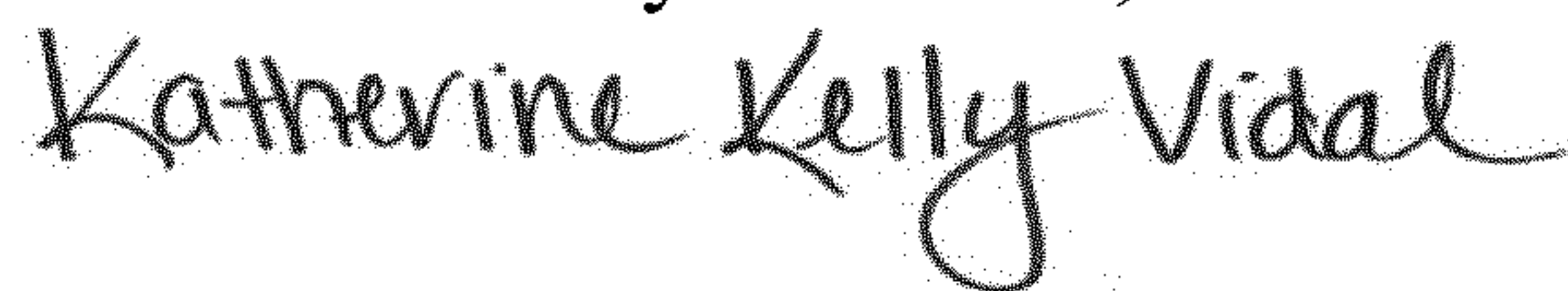
It is certified that error appears in the above-identified patent and that said Letters Patent is hereby corrected as shown below:

On the Title Page

Item (30) insert:

--July 2, 2020 (IB) WIPO95929--

Signed and Sealed this
Seventh Day of March, 2023



Katherine Kelly Vidal
Director of the United States Patent and Trademark Office