



US00D966028S

(12) **United States Design Patent** (10) **Patent No.:** **US D966,028 S**
Hayon (45) **Date of Patent:** **** Oct. 11, 2022**

(54) **COFFEE MACHINE**
(71) Applicant: **Samsung Electronics Co., Ltd.**,
Suwon-si (KR)
(72) Inventor: **Jaime Hayon**, Valencia (ES)
(73) Assignee: **Samsung Electronics Co., Ltd.**,
Suwon-si (KR)

D361,691 S * 8/1995 Maass, Jr. D7/311
D364,068 S * 11/1995 McCloskey D7/311
D390,060 S * 2/1998 Seiffert D7/311
D390,742 S * 2/1998 Sander D7/311
D429,594 S * 8/2000 Lin D7/311
D480,592 S * 10/2003 Silvestrin D7/311
D489,931 S * 5/2004 Boyhan D7/311

(Continued)

(**) Term: **15 Years**
(21) Appl. No.: **29/741,534**
(22) Filed: **Jul. 14, 2020**

CN 302947765 * 9/2014
EM 000625496-0008 * 12/2006

(Continued)

FOREIGN PATENT DOCUMENTS

(30) **Foreign Application Priority Data**
Jan. 14, 2020 (KR) 30-2020-0001619
(51) **LOC (13) Cl.** **07-01**
(52) **U.S. Cl.**
USPC **D7/309; D7/311**
(58) **Field of Classification Search**
USPC D7/300, 305-313, 355, 362, 365, 367,
D7/397-400; D15/80, 82; D23/207
CPC A47J 31/00; A47J 31/0573; A47J 31/0615;
A47J 31/18; A47J 31/32; A47J 31/369;
A47J 31/407; A47J 31/4407; A47J
31/445; A47J 31/4482; A47J 31/46; A47J
31/467; A47J 31/50; A23F 5/262; A23F
5/265; A23F 5/267; B67D 1/0021
See application file for complete search history.

OTHER PUBLICATIONS

A'Design Award & Competition, "Kahveci Turkish Coffee machine,"
2015, A'Design Award & Competition, <https://competition.adesignaward.com/gooddesign.php?ID=40057> (Year: 2015).*

Primary Examiner — Joseph Kukella
Assistant Examiner — Arva P Adams
(74) *Attorney, Agent, or Firm* — NSIP Law

(56) **References Cited**
U.S. PATENT DOCUMENTS

D281,943 S * 12/1985 Rosalgino D7/309
D303,480 S * 9/1989 Tsuji D7/309
D338,365 S * 8/1993 Meelen D7/311
D339,263 S * 9/1993 McCloskey D7/311
D340,833 S * 11/1993 Del Fresno D7/309
D344,427 S * 2/1994 Bannigan D7/311
D347,961 S * 6/1994 Beeren D7/311

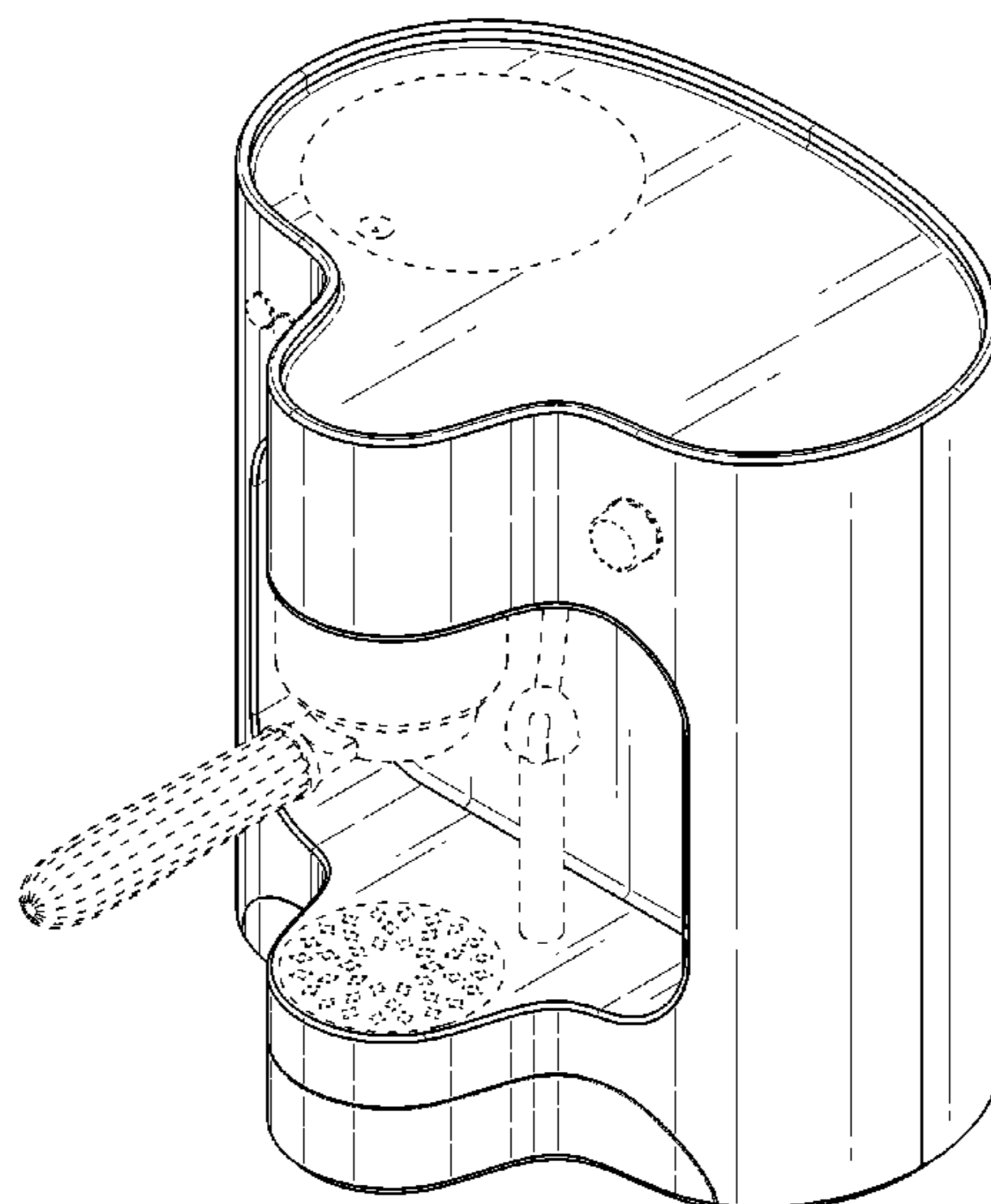
(57) **CLAIM**

I claim the ornamental design for a coffee machine, as shown and described.

DESCRIPTION

FIG. 1 is a front perspective view of a coffee machine showing my new design;
FIG. 2 is a front view thereof;
FIG. 3 is a rear view thereof;
FIG. 4 is a left-side view thereof;
FIG. 5 is a right-side view thereof;
FIG. 6 is a top view thereof; and,
FIG. 7 is a bottom view thereof.
The broken lines in the figures depict portions of the coffee machine which form no part of the claimed design.

1 Claim, 7 Drawing Sheets



(56)

References Cited

U.S. PATENT DOCUMENTS

D530,138 S * 10/2006 Sumser D7/311
D739,168 S * 9/2015 Hellweg D7/311
D770,831 S * 11/2016 Affatato D7/311
D845,054 S * 4/2019 Barquin D7/311

FOREIGN PATENT DOCUMENTS

EM 001079073-0011 3/2009
EM 001096952-0001 4/2009
EM 001044317-0001 11/2009
EM 001315964-0001 3/2012
FR 923597-001 * 8/1992
WO WO-D036662-001 * 8/1996

* cited by examiner

FIG. 1

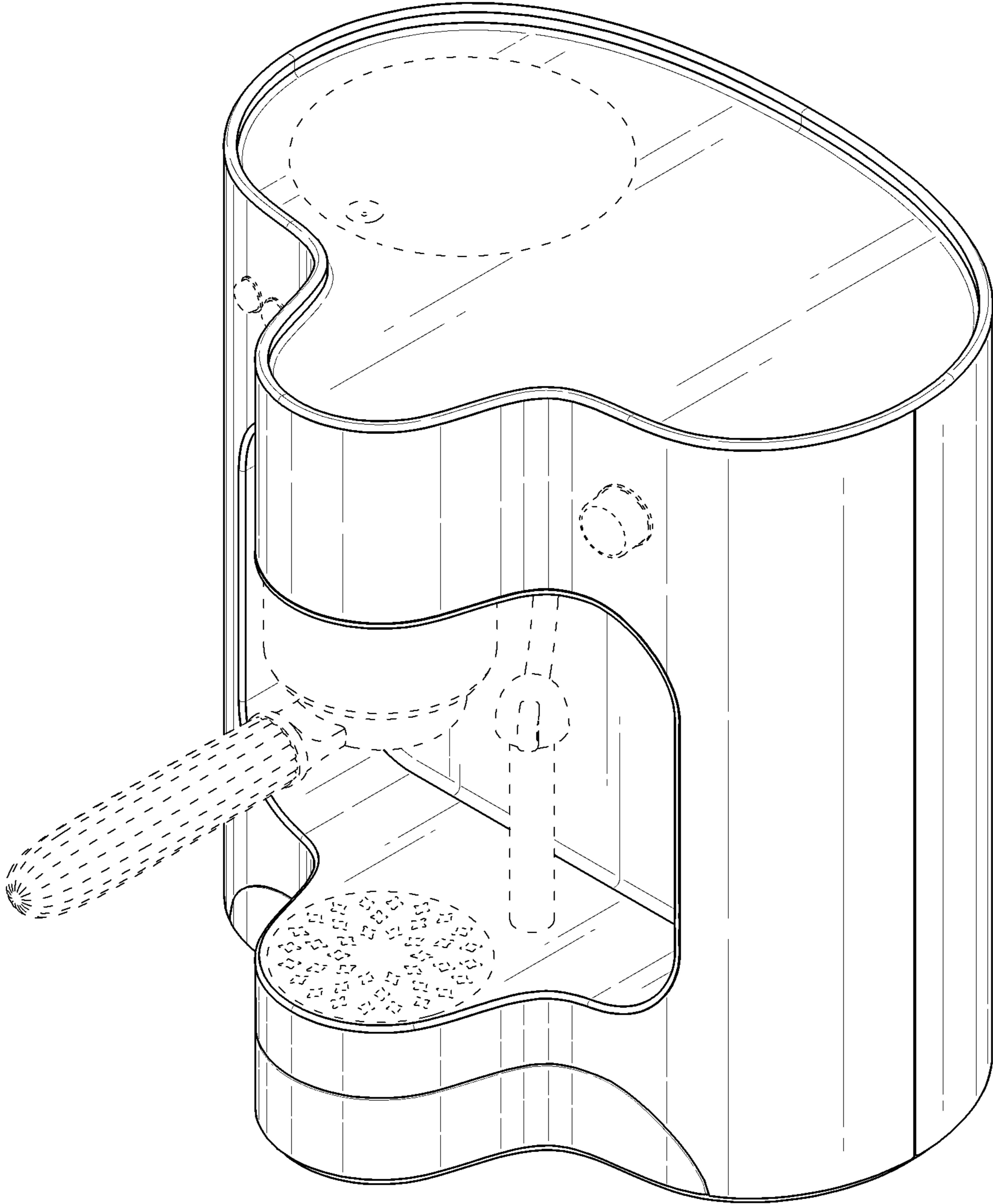


FIG. 2

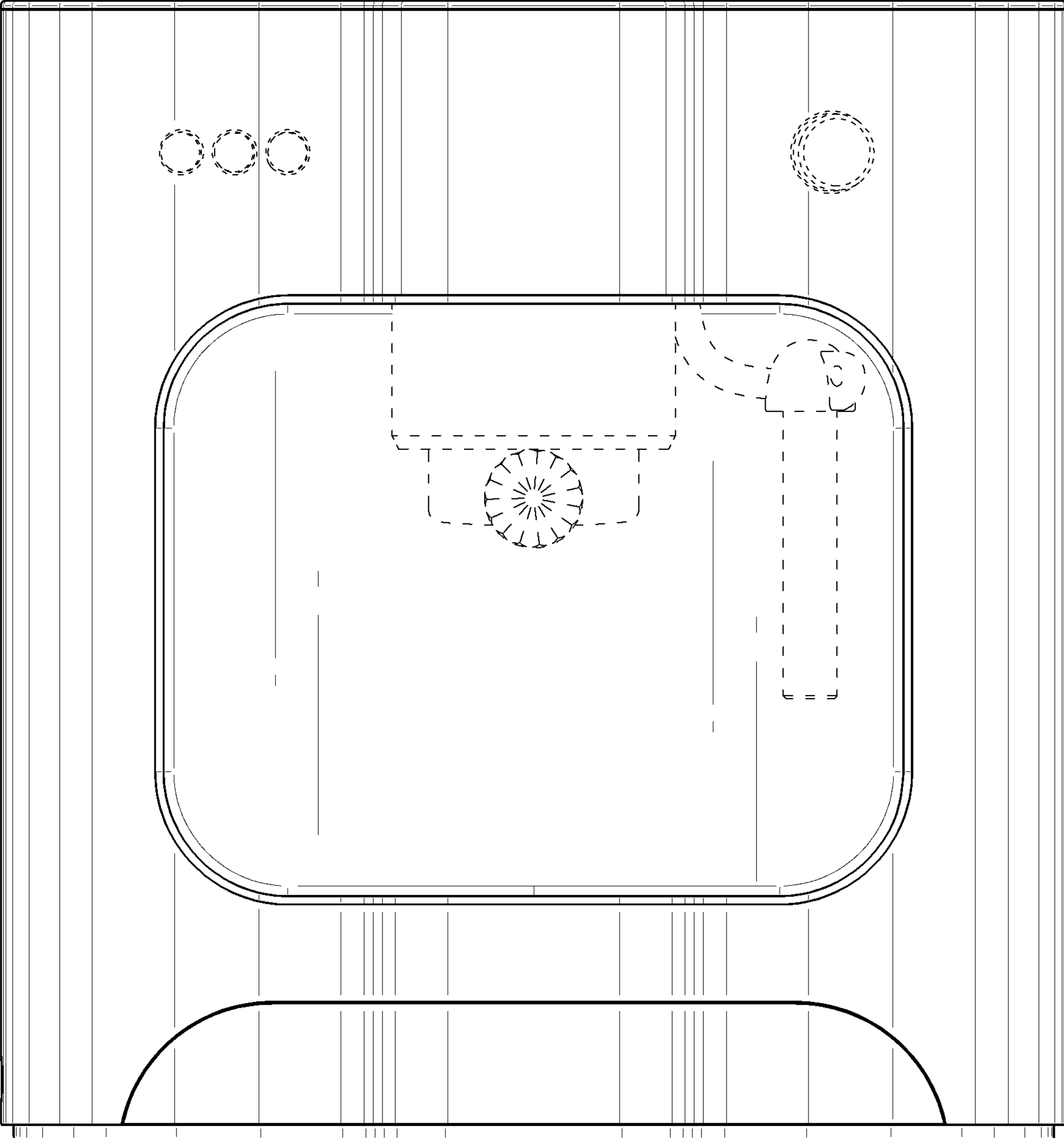


FIG. 3

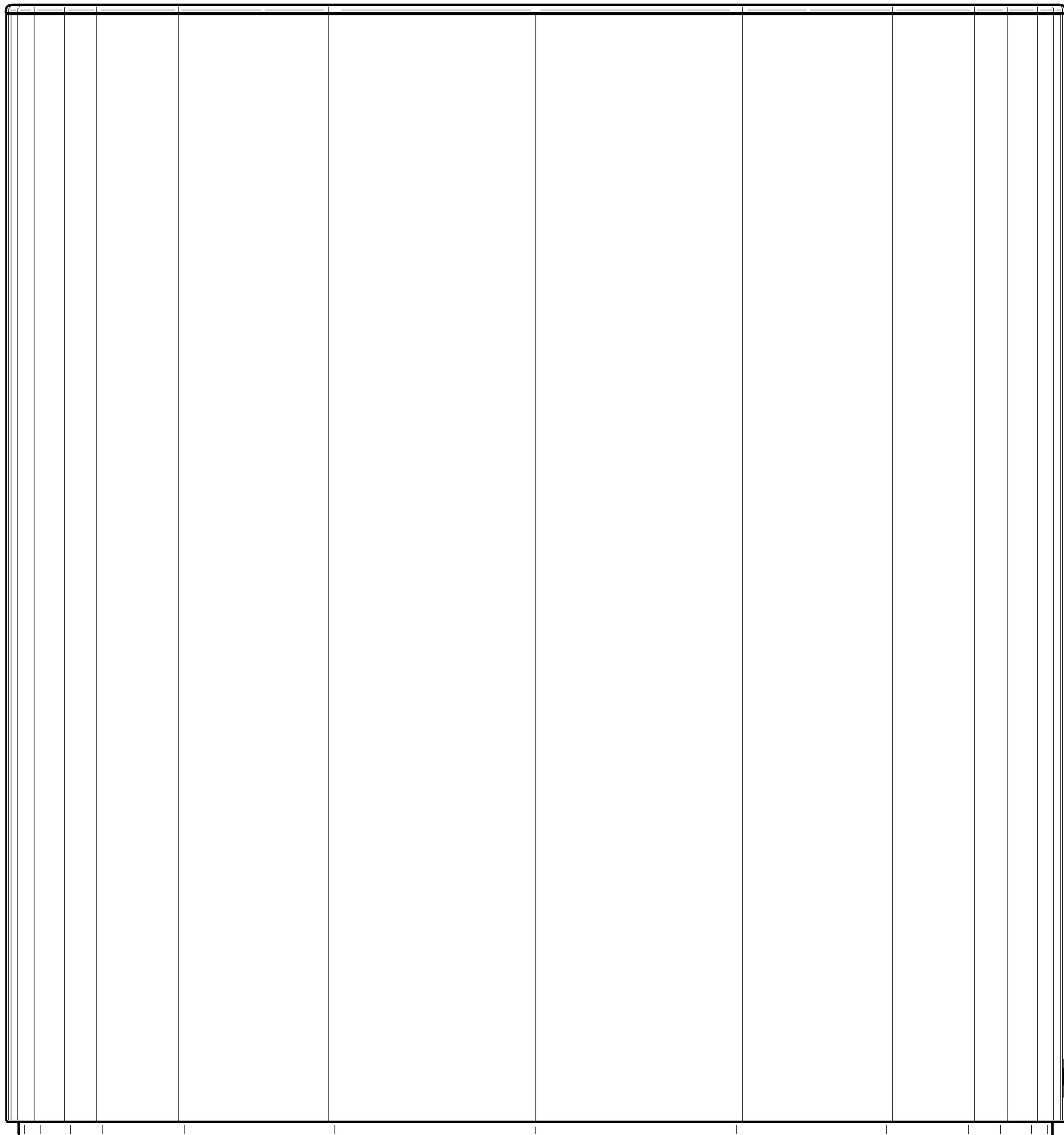


FIG. 4

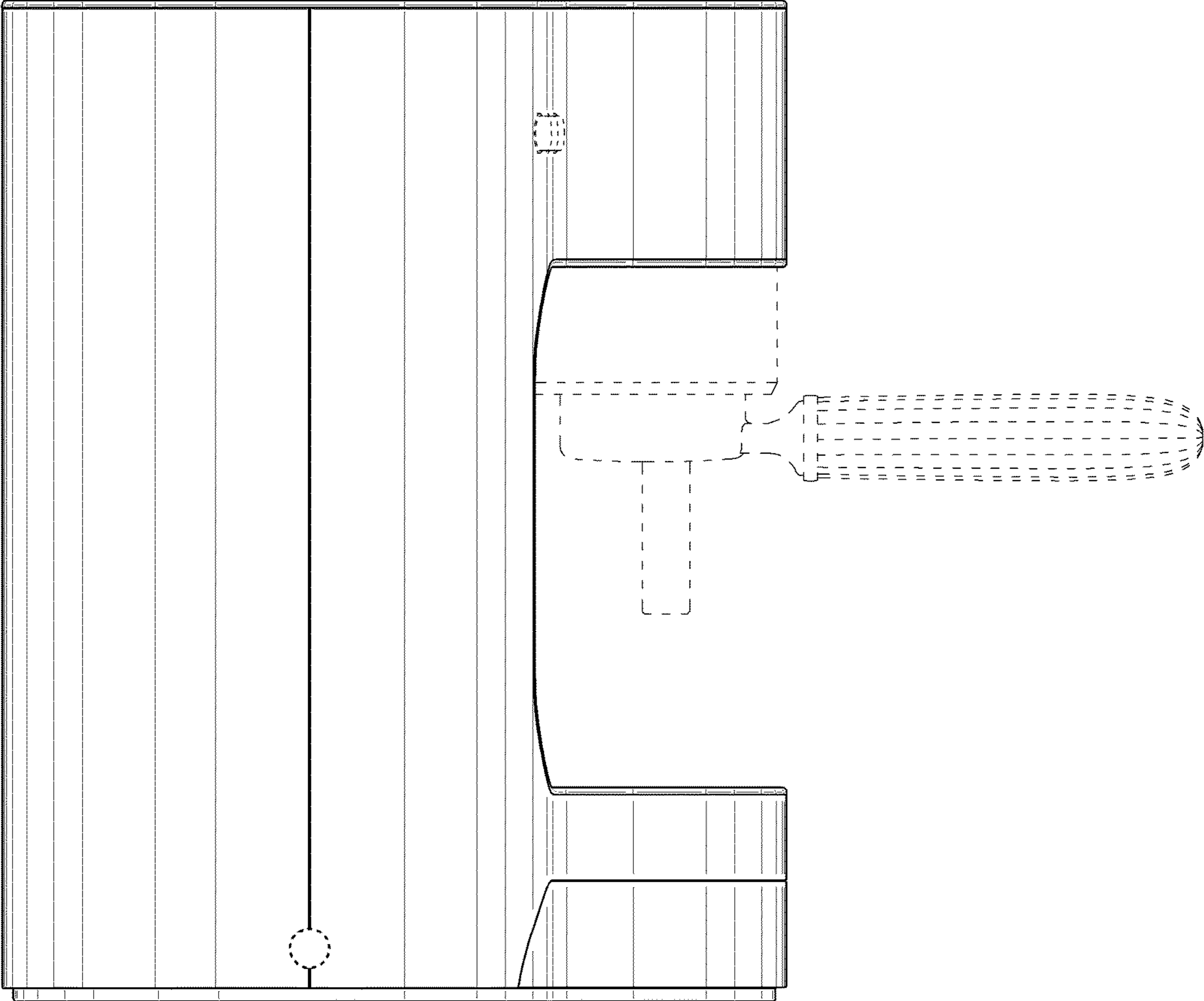


FIG. 5

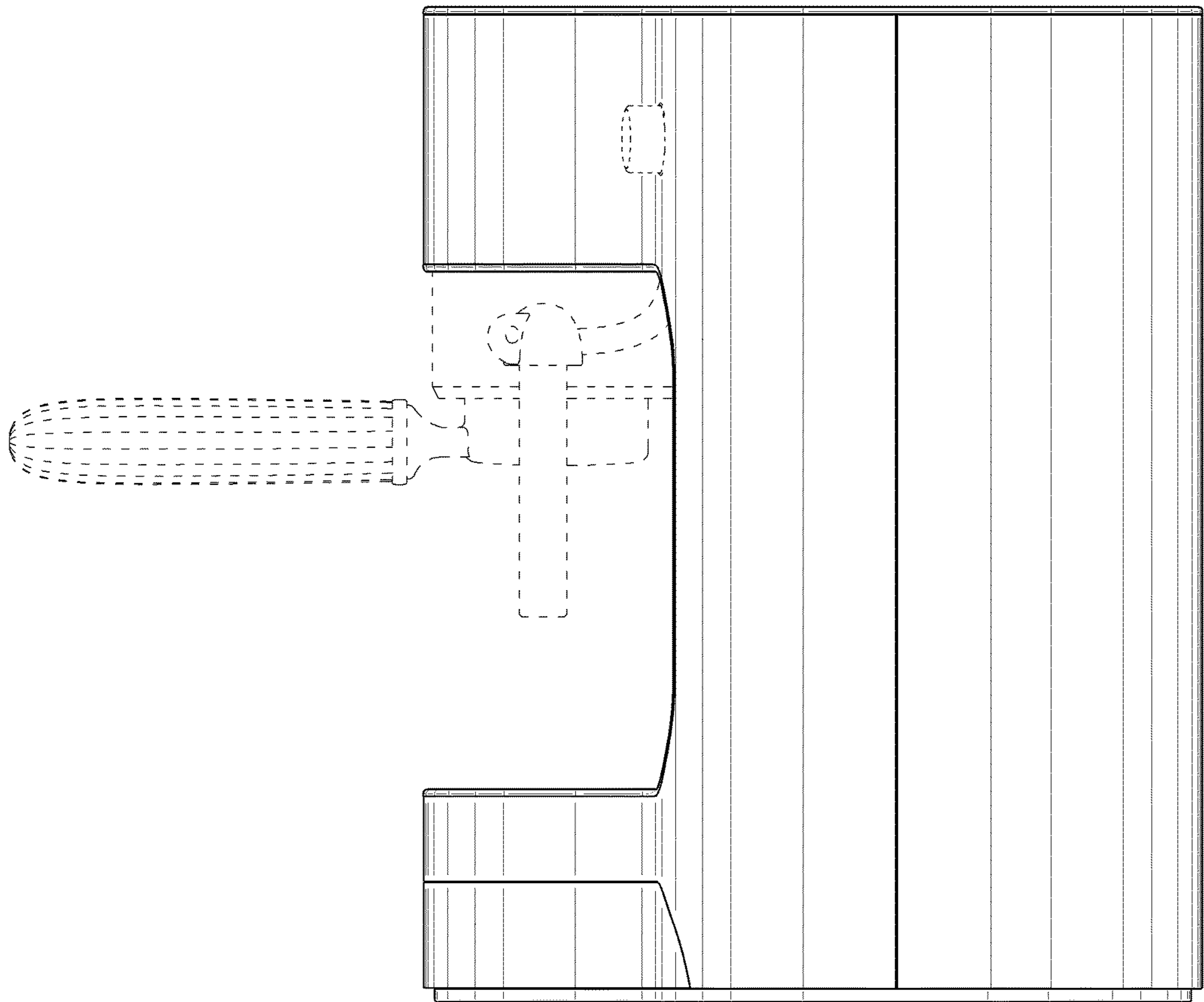


FIG. 6

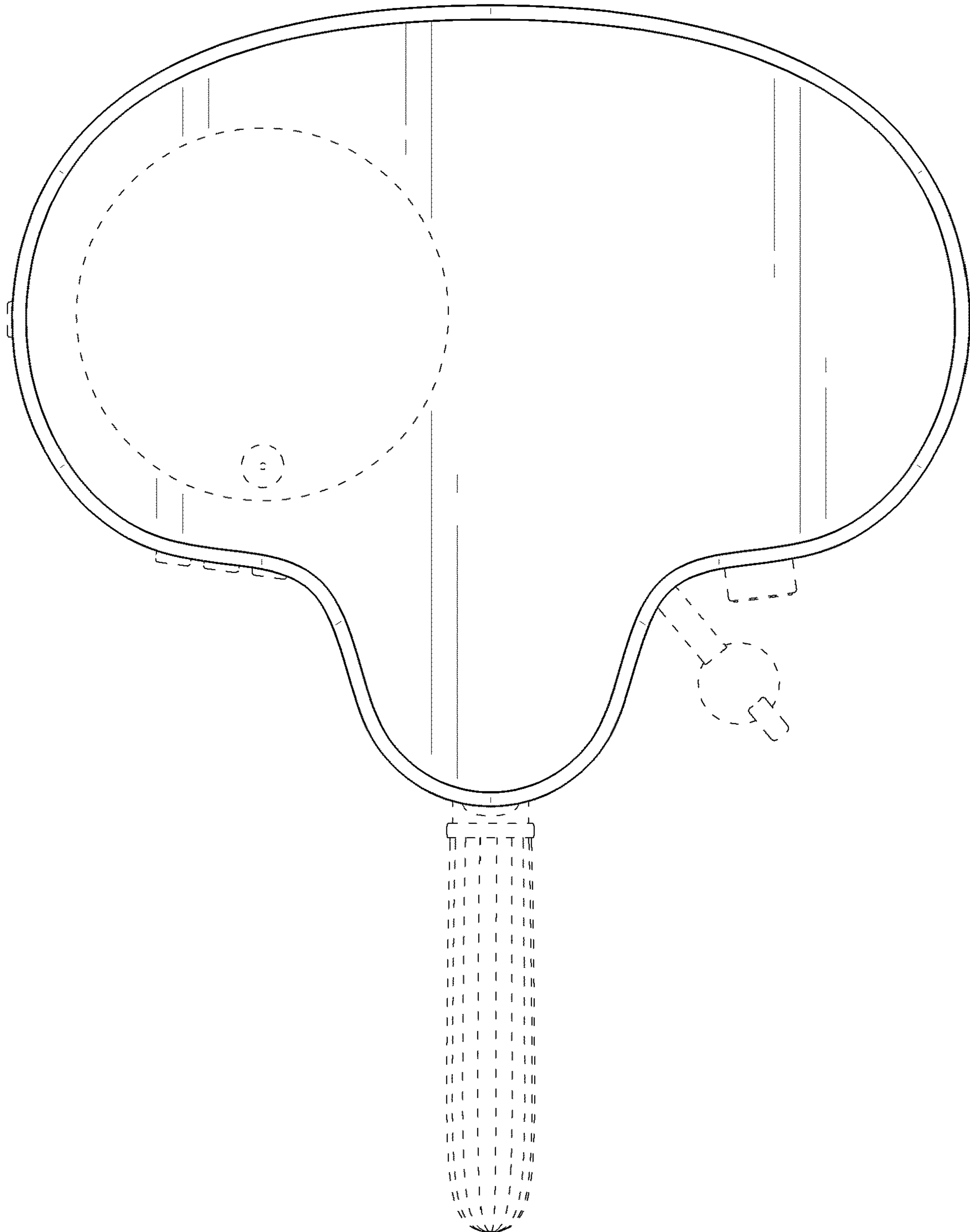


FIG. 7

