



US00D966027S

(12) **United States Design Patent** (10) **Patent No.:** **US D966,027 S**
Meier (45) **Date of Patent:** **** Oct. 11, 2022**

(54) **APPLIANCE FOR PREPARING AND DISPENSING FOAMED FLUID FOOD**

(71) Applicant: **ISI GMBH**, Vienna (AT)

(72) Inventor: **Dominik Meier**, Munich (DE)

(**) Term: **15 Years**

(21) Appl. No.: **35/512,947**

(22) Filed: **May 19, 2021**

(80) **Hague Agreement Data**

Int. Filing Date: **May 19, 2021**

Int. Reg. No.: **DM/215029**

Int. Reg. Date: **May 19, 2021**

Int. Reg. Pub. Date: **Nov. 19, 2021**

(51) **LOC (13) Cl.** **07-04**

(52) **U.S. Cl.**

USPC **D7/300.1; D23/225; D23/226**

(58) **Field of Classification Search**

USPC D7/213, 300.1, 313, 368, 665, 666, 669, D7/674; D9/443, 447, 448, 682, 685, D9/689, 691; D23/366, 589, 590; D30/121

CPC A23C 13/12; A47J 43/125; A47J 43/126; A47J 43/128; B01F 23/1452; B01F 23/235; B01F 23/236; B01F 23/2361; B01F 23/23611; B01F 23/237; B01F 23/2373; B01F 23/291; B01F 23/5011; B01F 23/50112; B01F 25/43141; B67D 1/0412; B67D 1/0418

See application file for complete search history.

(56) **References Cited**

U.S. PATENT DOCUMENTS

D88,272 S * 11/1932 Towne D7/300.1
D100,233 S * 6/1936 Towart D7/300.1
D121,052 S * 6/1940 Ward D7/300.1

D161,839 S * 2/1951 Hoagland D7/589
D182,556 S * 4/1958 Werry D7/300.1
D213,489 S * 3/1969 Foxell D7/300.1
D238,969 S * 2/1976 Baum D23/225
D322,838 S * 12/1991 Hagedorn D23/225
D331,365 S * 12/1992 Davis D7/300.1
D385,745 S * 11/1997 Valentinitsch D7/300.1

(Continued)

FOREIGN PATENT DOCUMENTS

AT 100/2020-0001 * 2/2021
CN 303975336 * 12/2016

(Continued)

OTHER PUBLICATIONS

“Whipping siphon: how it works,” Feb. 13, 2018, Edible Molecules, www.ediblemolecules.com/blog/2018/2/13/whipping-siphon-how-it-works (Year: 2018).*

(Continued)

Primary Examiner — Joseph Kukella
Assistant Examiner — Arva P Adams

(57) **CLAIM**

The ornamental design for an appliance for preparing and dispensing foamed fluid food, as shown and described.

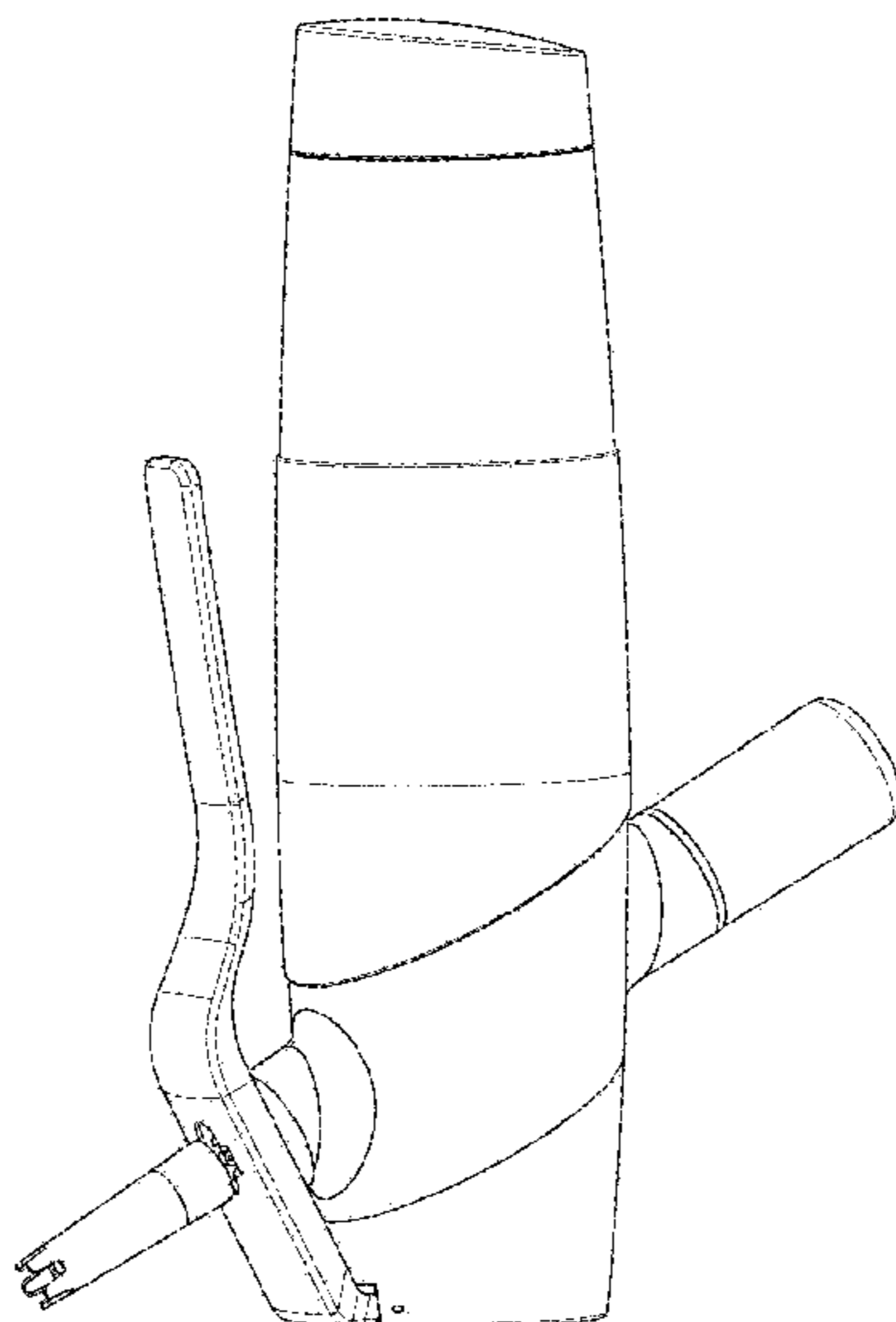
DESCRIPTION

1. Appliance for preparing and dispensing foamed fluid food

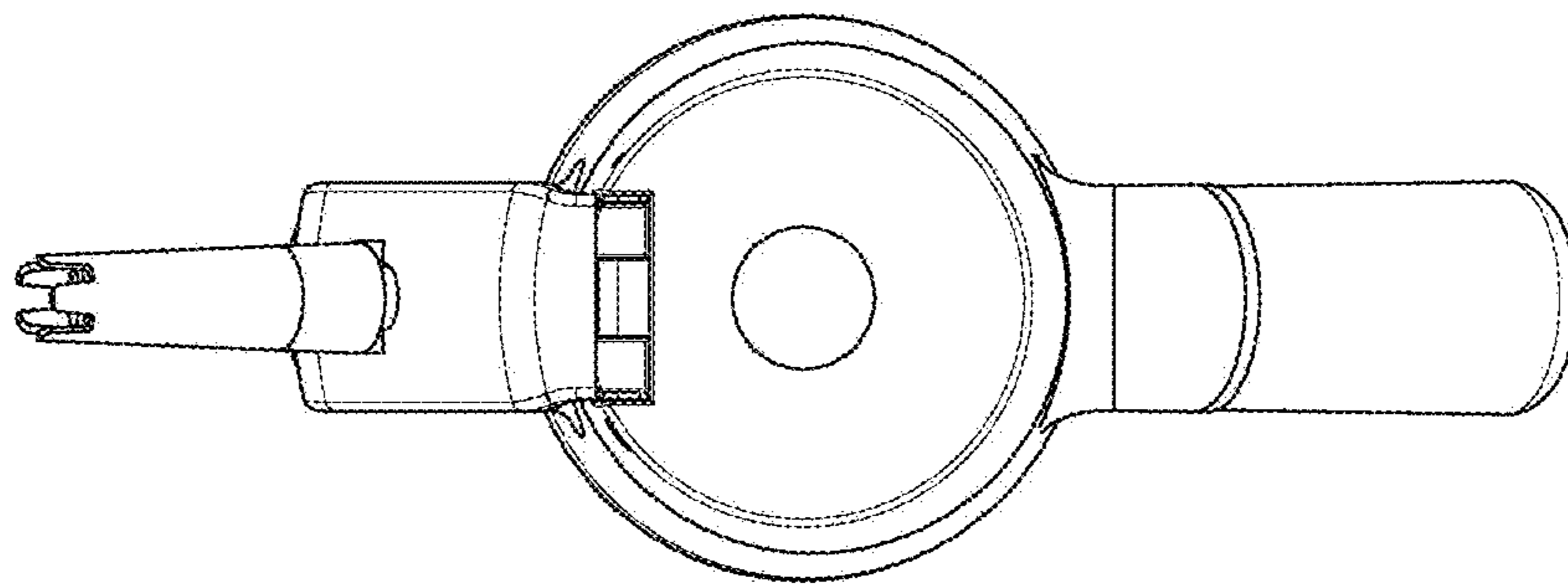
- 1.1 : Bottom
- 1.2 : Side
- 1.3 : Rear
- 1.4 : Front
- 1.5: Top
- 1.6 : Perspective
- 1.7 : Side

Appliance for preparing and dispensing foamed fluid food, comprising a replaceable sleeve in the middle of the container of the appliance.

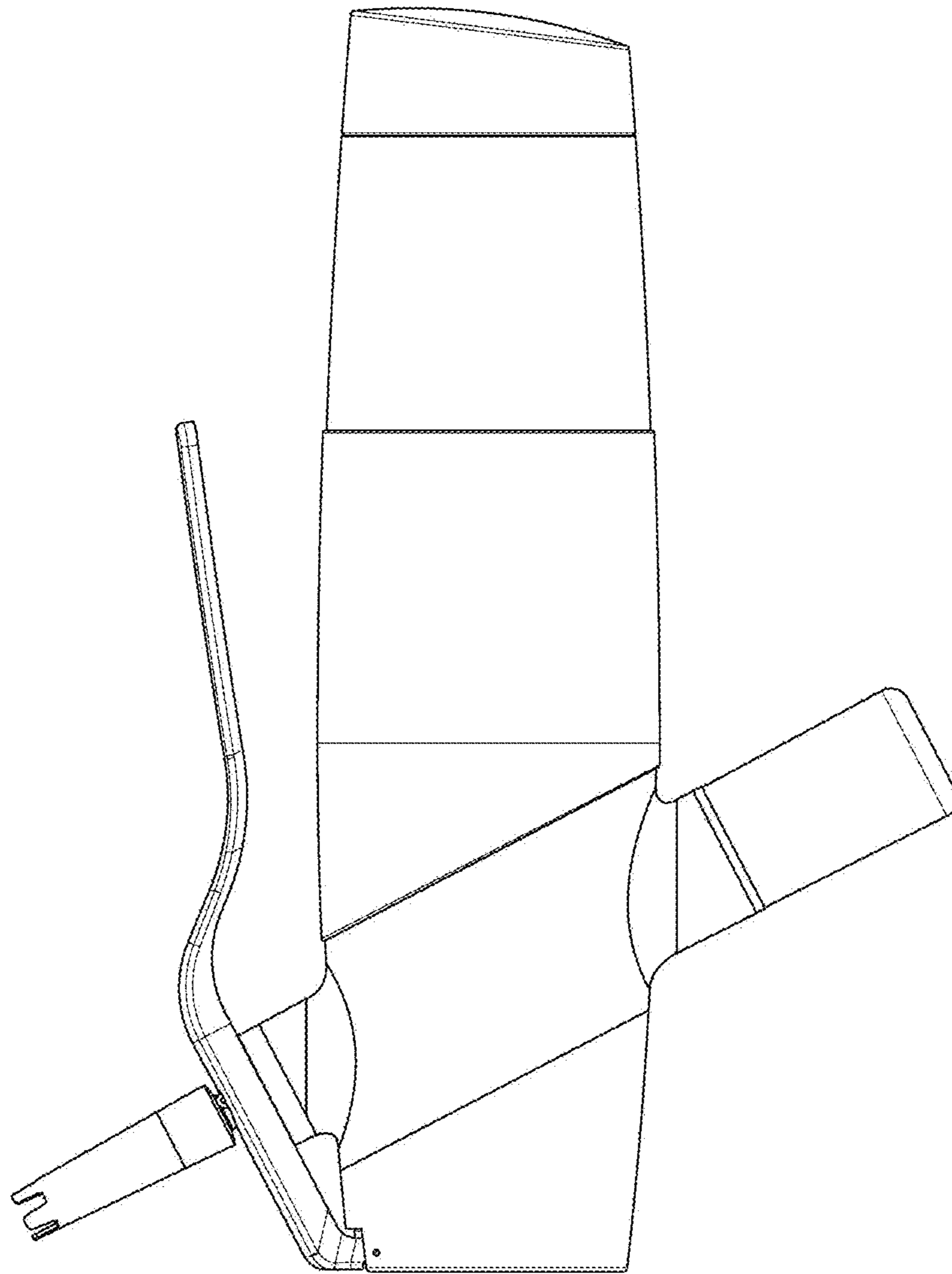
1 Claim, 7 Drawing Sheets



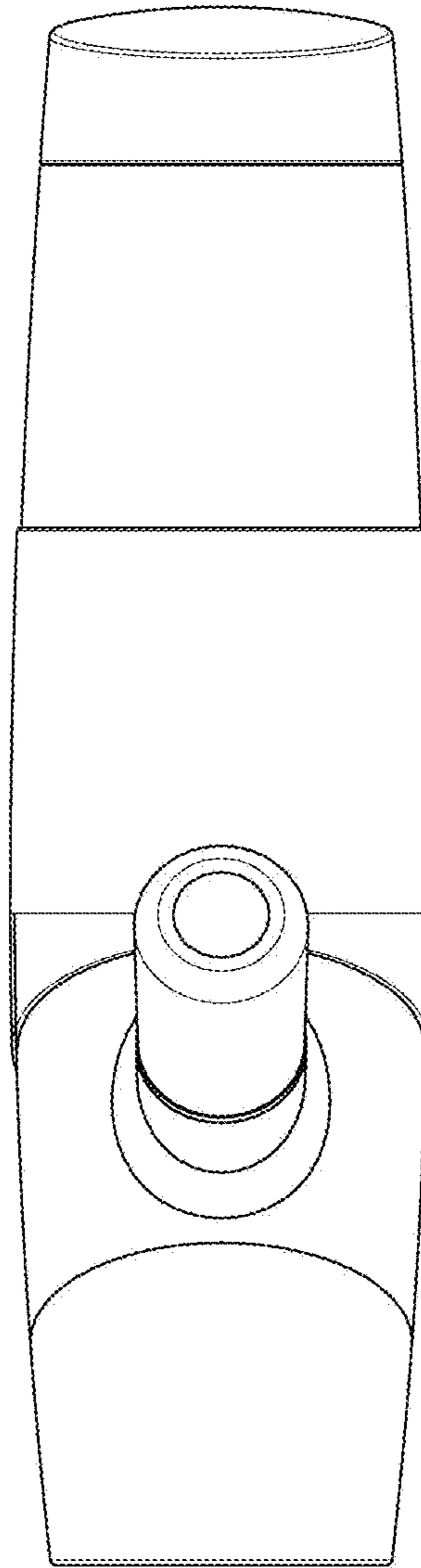
1.1



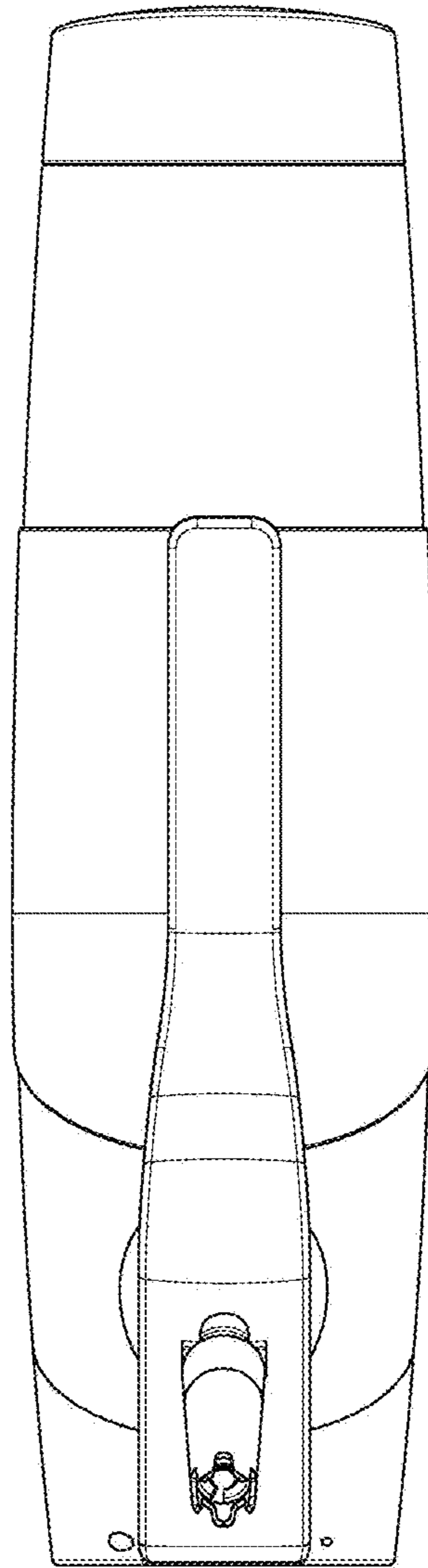
1.2



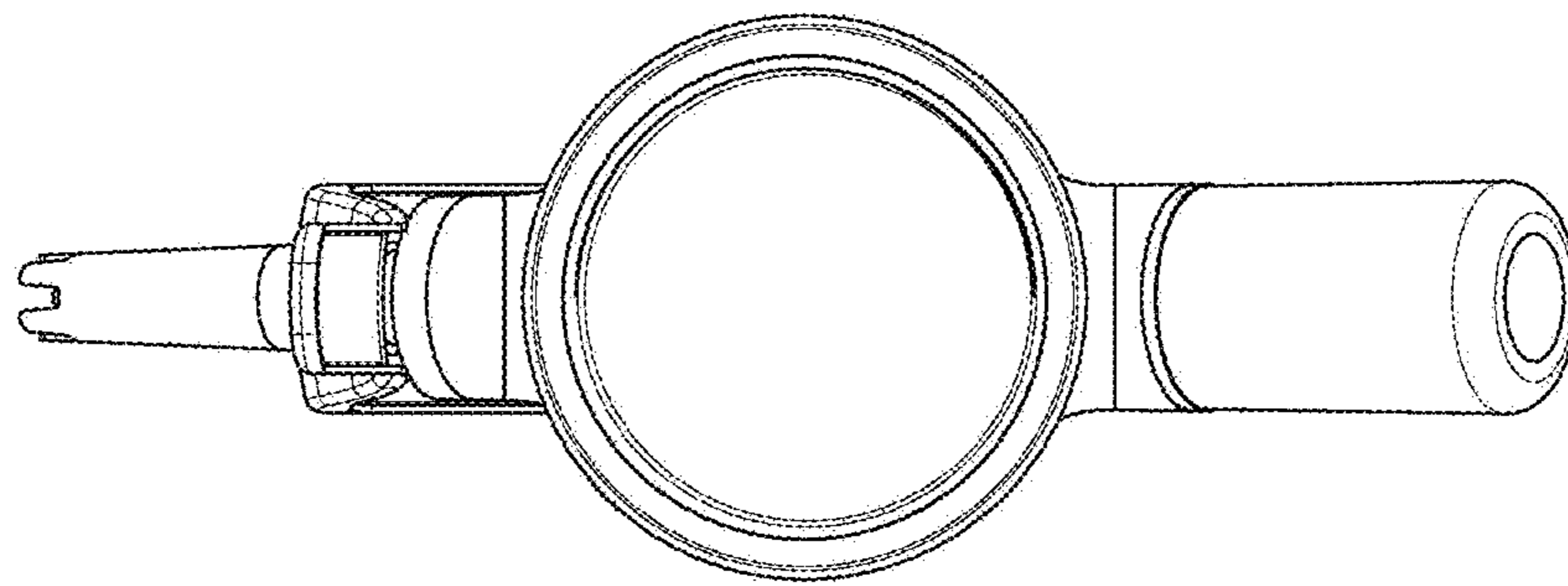
1.3



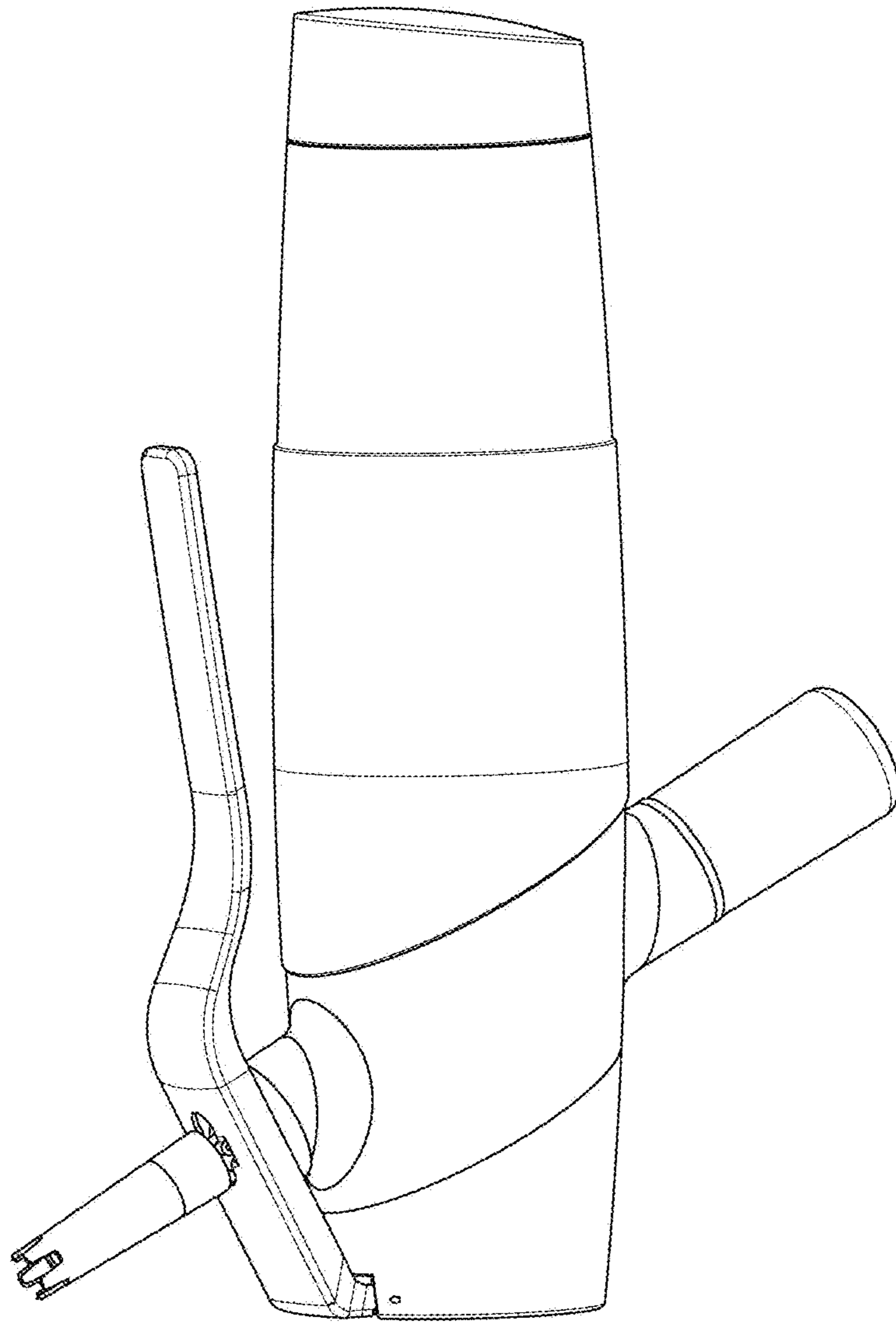
1.4



1.5



1.6



1.7

