



US00D966025S

(12) **United States Design Patent** (10) **Patent No.:** **US D966,025 S**  
**Hong** (45) **Date of Patent:** **\*\* Oct. 11, 2022**

- (54) **SCREEN**
  - (71) Applicant: **AMQ SOLUTIONS, LLC**, Santa Clara, CA (US)
  - (72) Inventor: **Han Seb Hong**, Milpitas, CA (US)
  - (73) Assignee: **AMQ Solutions, LLC**, Santa Clara, CA (US)
  - (\*\*) Term: **15 Years**
  - (21) Appl. No.: **29/756,724**
  - (22) Filed: **Oct. 30, 2020**
  - (51) **LOC (13) Cl.** ..... **06-06**
  - (52) **U.S. Cl.**  
USPC ..... **D6/714**
  - (58) **Field of Classification Search**  
USPC ..... D6/643, 714  
CPC ..... E04B 2002/7483; E04B 2002/7498; E04B 2/76; E04B 2/7401; A47B 2200/12; A47B 17/00; E04C 2/54
- See application file for complete search history.

D330,469 S 10/1992 Brodbeck et al.  
6,012,258 A \* 1/2000 Brown ..... E04B 2/7424 52/239  
D455,889 S 4/2002 Jobin  
(Continued)

**FOREIGN PATENT DOCUMENTS**

JP 2002101957 A 4/2002

**OTHER PUBLICATIONS**

Ketz, Kris, Pandemic could change look of tomorrow's office. Downloaded on Aug. 24, 2020 at <https://www.kmbc.com/article/pandemic-could-change-look-of-tomorrows-offices/32605244>.  
(Continued)

*Primary Examiner* — Doris Clark  
(74) *Attorney, Agent, or Firm* — Price Heneveld LLP

(57) **CLAIM**

The ornamental design for a screen, as shown and described.

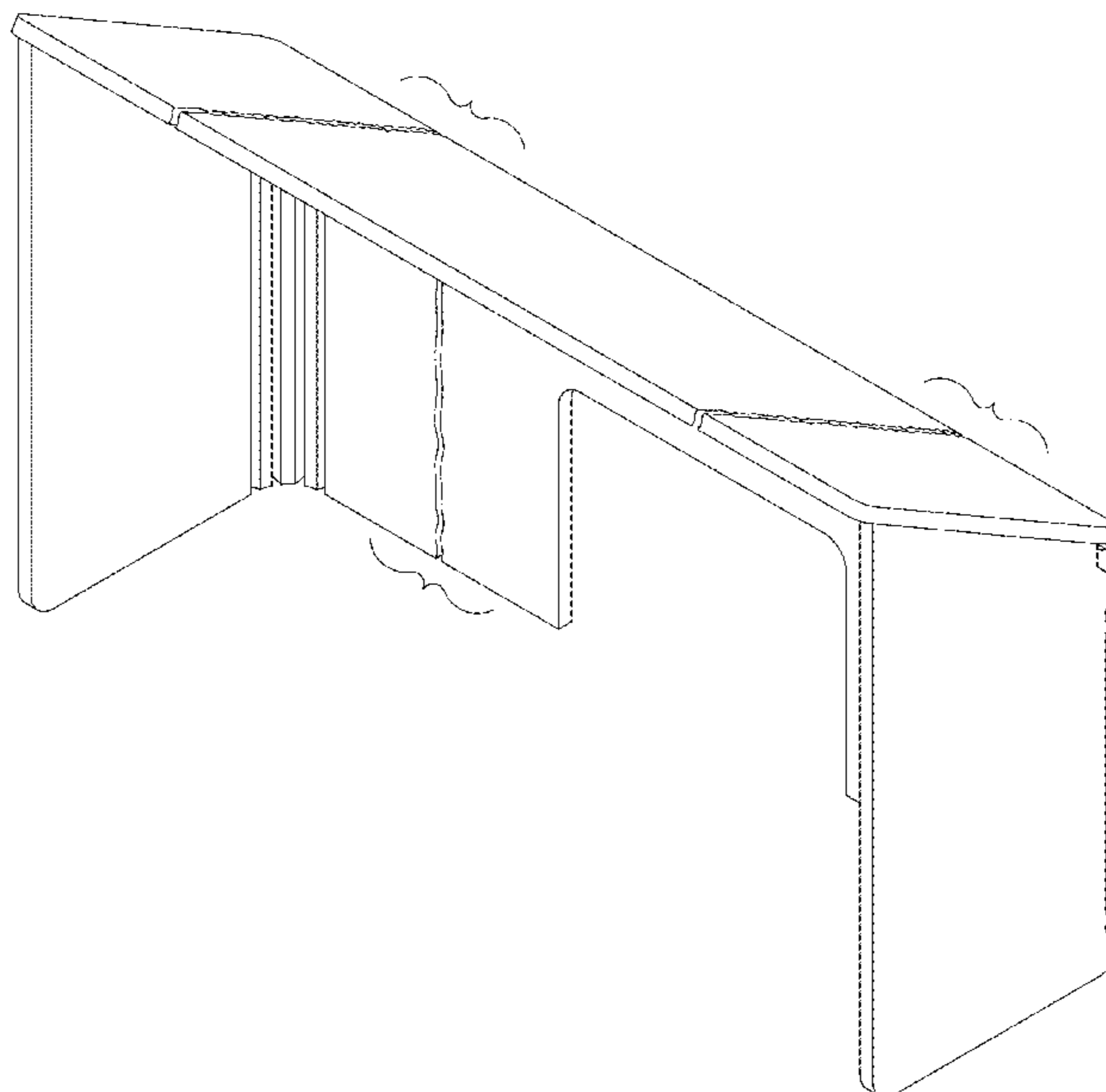
**DESCRIPTION**

FIG. 1 is a front perspective view of a screen, showing our new design;  
FIG. 2 is a bottom perspective view of the screen of FIG. 1;  
FIG. 3 is a rear perspective view of the screen of FIG. 1;  
FIG. 4 is a front view of the screen of FIG. 1;  
FIG. 5 is a rear view of the screen of FIG. 1;  
FIG. 6 is a right side view of the screen of FIG. 1, the left side view is a mirror image of the right side view of FIG. 6;  
FIG. 7 is a top view of the screen of FIG. 1; and,  
FIG. 8 is a bottom view of the screen of FIG. 1.  
The screen is shown with symbolic break lines. The appearance of any portion of the screen between the break lines forms no part of the claimed design. Also, the symbolic break lines in FIGS. 1-5, 7, and 8 form no part of the claimed design.

(56) **References Cited**  
**U.S. PATENT DOCUMENTS**

D191,747 S	11/1961	Jentzen
3,326,147 A	6/1967	Toney
D210,464 S	3/1968	Howlett
3,512,857 A	5/1970	Butera
D230,680 S	3/1974	Petersen et al.
3,931,771 A	1/1976	Kramer
D249,609 S	9/1978	Kramer
D250,378 S	11/1978	Woods
4,484,787 A	11/1984	Stephens
D290,662 S	7/1987	Basil et al.
4,759,520 A	7/1988	Levine
4,949,490 A	8/1990	Miller
D314,113 S	1/1991	Hanfiling
4,981,152 A	1/1991	Laurent

**1 Claim, 7 Drawing Sheets**



(56)

References Cited

U.S. PATENT DOCUMENTS

D458,041 S 6/2002 Couture et al.  
 D481,546 S 11/2003 Dowd  
 D482,204 S 11/2003 Berg et al.  
 D482,877 S 12/2003 Berg et al.  
 D492,503 S 7/2004 Gower  
 6,769,747 B2 8/2004 Chan et al.  
 6,779,286 B2 8/2004 Shaffer et al.  
 D513,564 S 1/2006 Nobles et al.  
 D540,565 S 4/2007 Nakamura  
 D557,867 S 12/2007 Northrop  
 D560,072 S 1/2008 Willis  
 D579,693 S 11/2008 Maitland-Smith  
 D603,125 S 10/2009 Lara Bartolome  
 7,600,608 B2 10/2009 Freiheit  
 D603,184 S 11/2009 Abel et al.  
 D616,668 S 6/2010 Pazhoor  
 D641,560 S 7/2011 Thompson  
 D651,416 S 1/2012 Martin et al.  
 D669,693 S 10/2012 Göranson et al.  
 D670,929 S 11/2012 Pinette  
 D725,424 S 3/2015 Cohen  
 D725,919 S 4/2015 Hidalgo  
 D726,424 S 4/2015 Nguyen et al.  
 D732,850 S 6/2015 Bouroullec et al.

D732,866 S \* 6/2015 Terwelp ..... A47B 41/02  
 D6/702  
 D762,876 S 8/2016 Karashima  
 D774,318 S 12/2016 Tsuchiyama et al.  
 D774,339 S 12/2016 Parshad  
 D777,459 S 1/2017 Parshad  
 D782,835 S 4/2017 Parshad  
 D793,750 S 8/2017 Kitajima  
 D796,216 S 9/2017 Rockwell et al.  
 D798,611 S 10/2017 Kitajima  
 D813,433 S 3/2018 Stathis et al.  
 D824,195 S 7/2018 Ezure et al.  
 D832,622 S 11/2018 Goodrum  
 D848,159 S 5/2019 Hiyoshi et al.  
 D848,160 S 5/2019 Hiyoshi et al.  
 D871,120 S \* 12/2019 Schalk ..... D6/714  
 D878,812 S 3/2020 Udagawa et al.  
 2006/0048421 A1 3/2006 Oleksak  
 2007/0283631 A1 \* 12/2007 Grandin ..... E04B 2/7416  
 52/36.2

OTHER PUBLICATIONS

Func—MDC Interior Solutions, “The Modern Way To Reduce Visual and Acoustic Distractions,” <https://www.mdcwall.com/func> (6 pages) Oct. 29, 2020.

\* cited by examiner

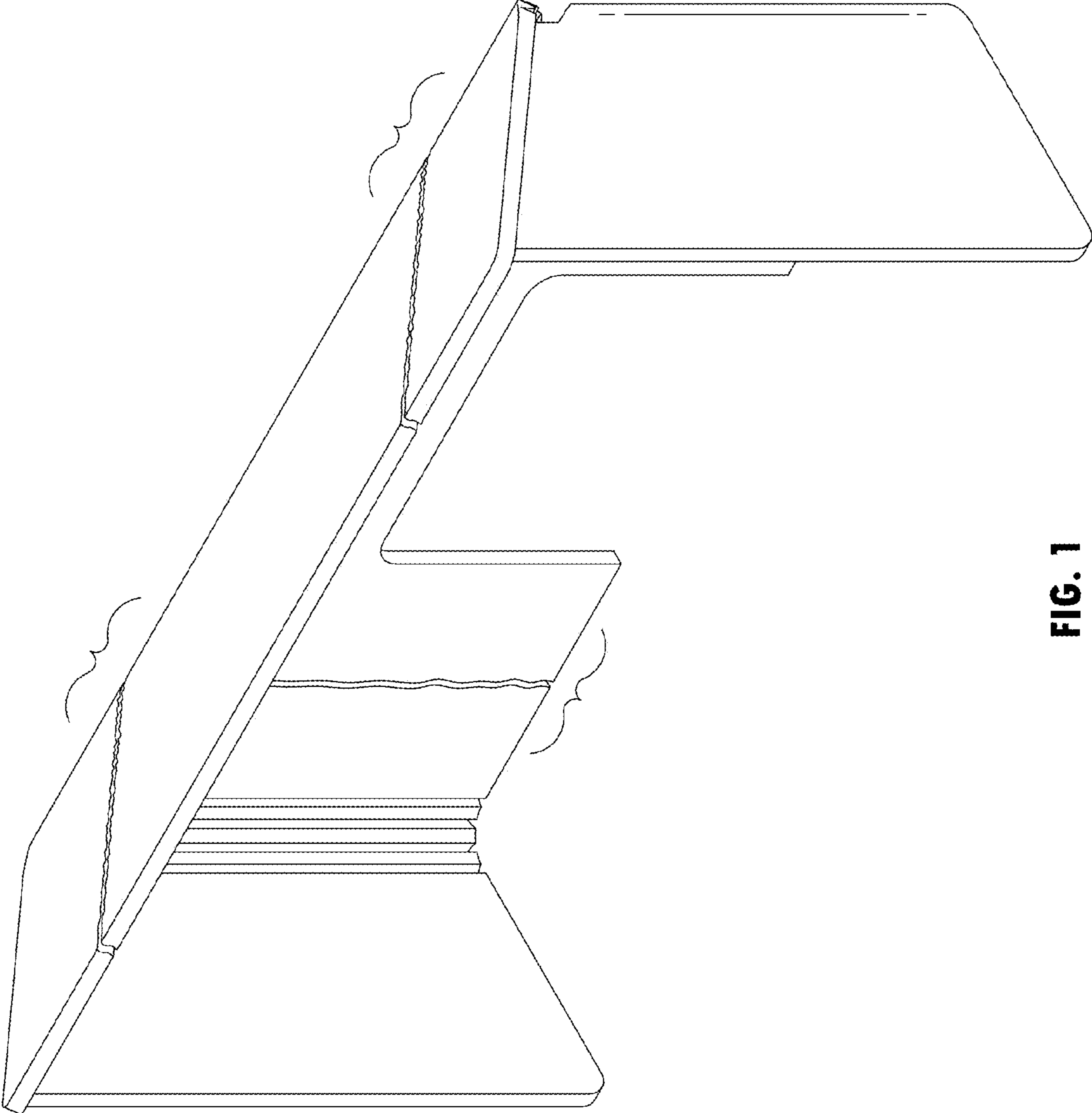
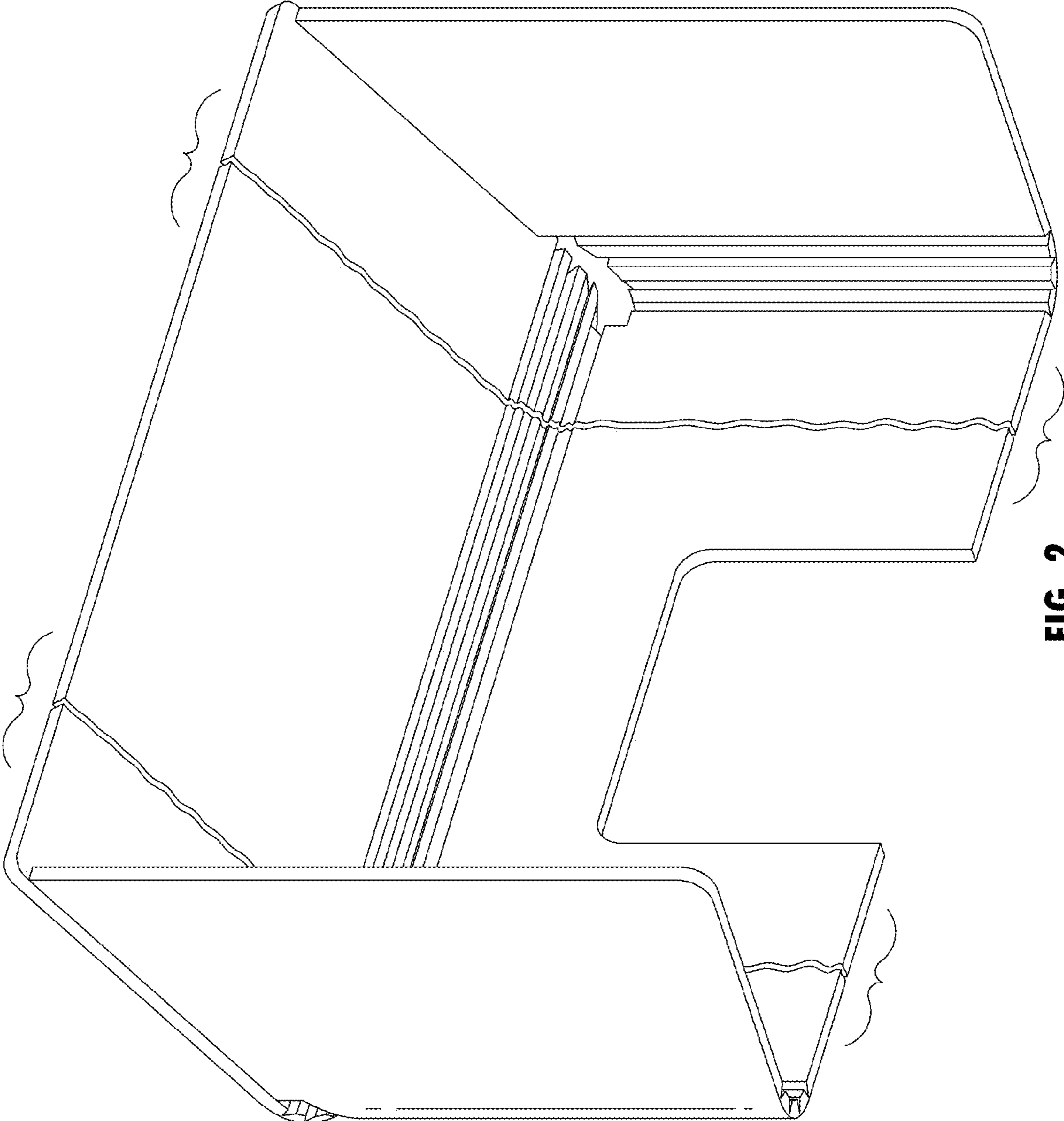


FIG. 1



**FIG. 2**

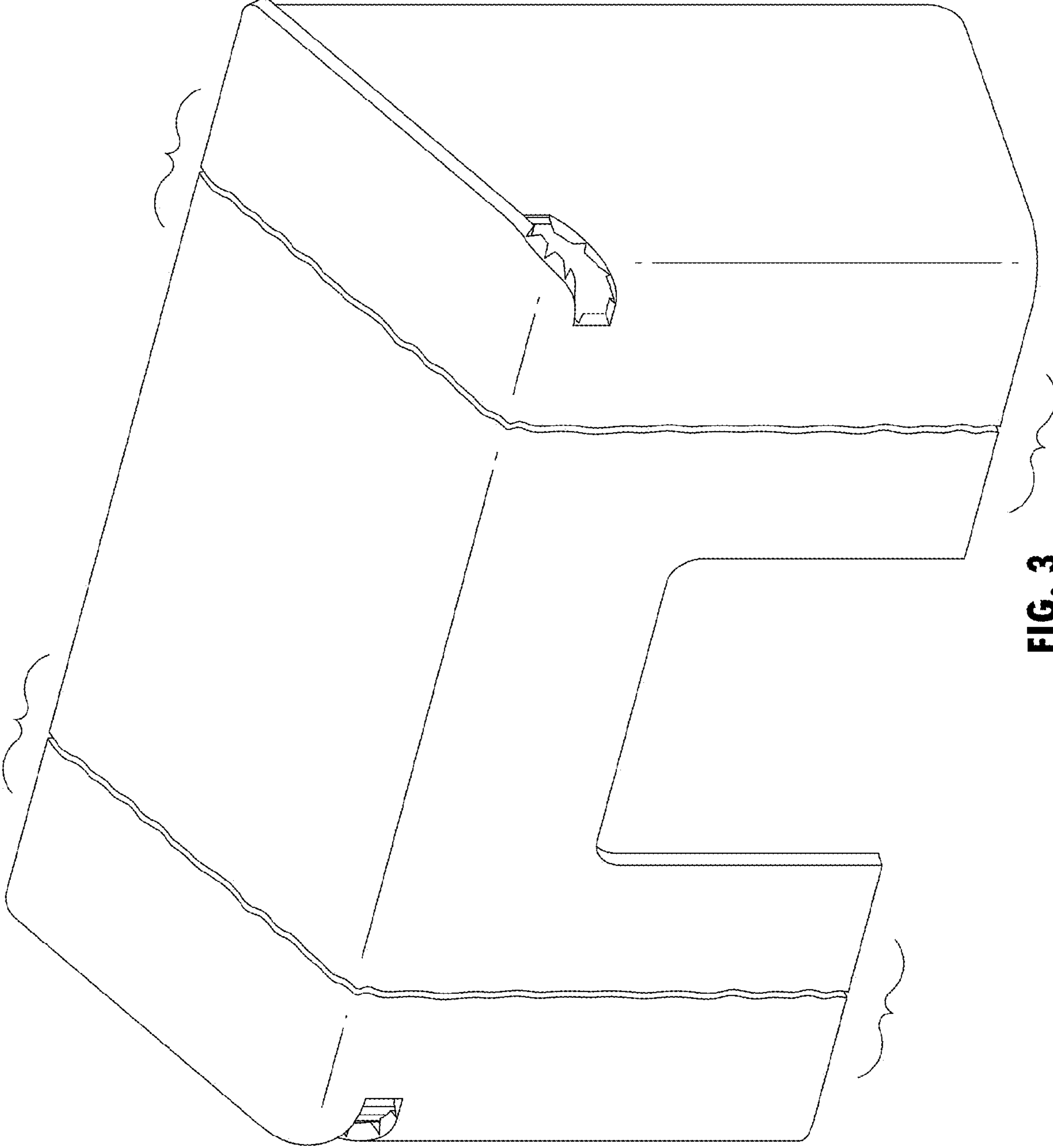


FIG. 3

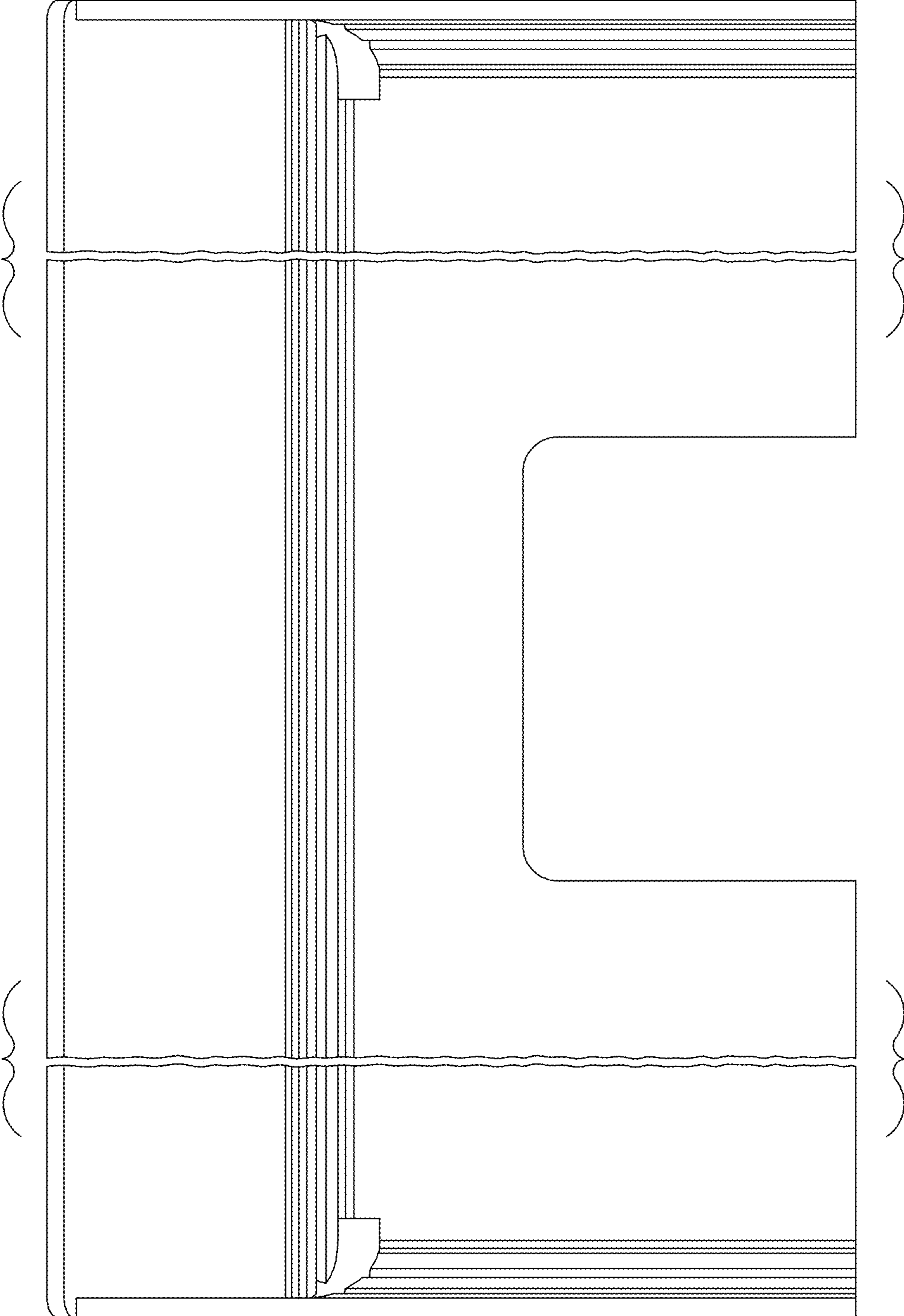


FIG. 4

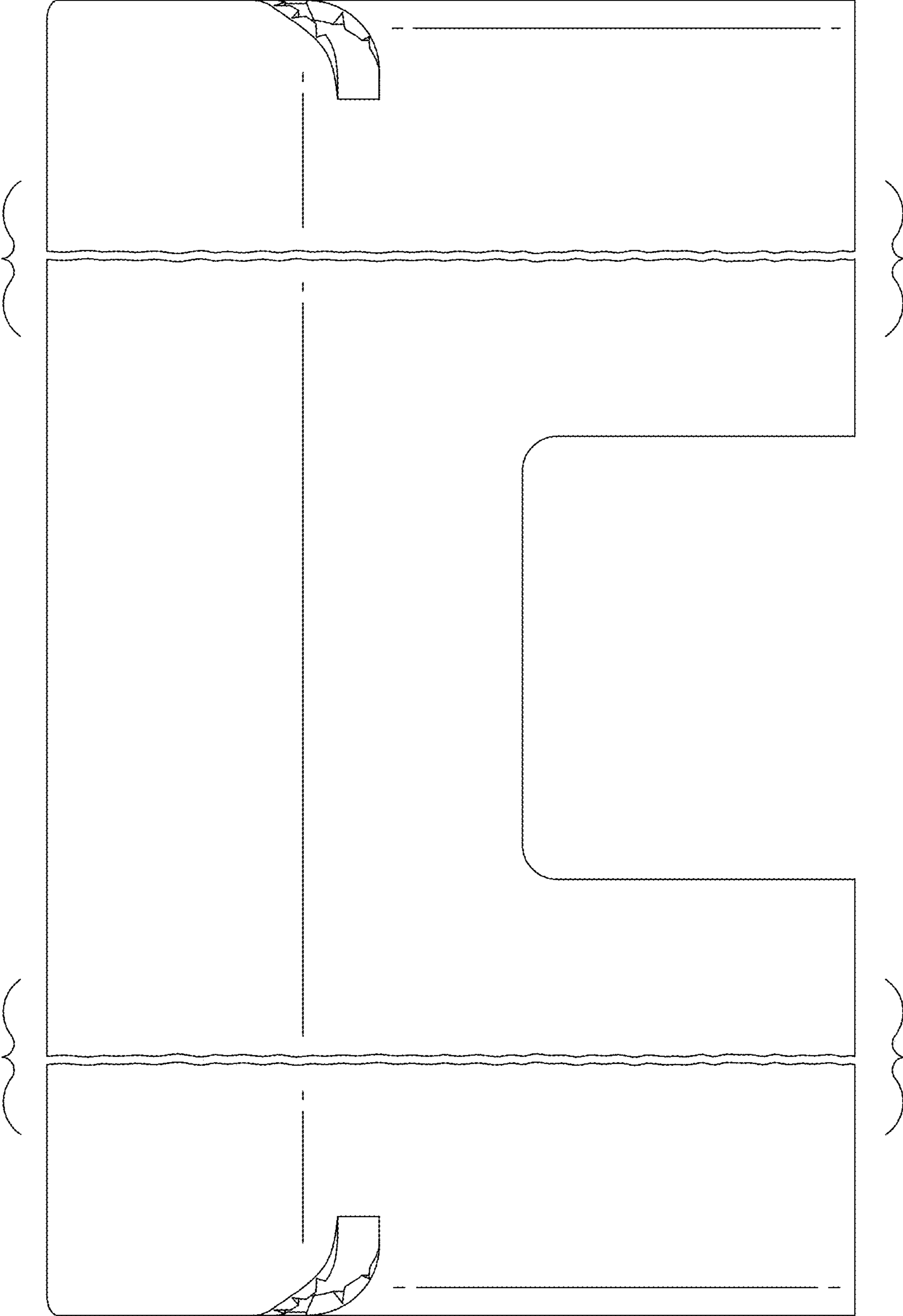


FIG. 5

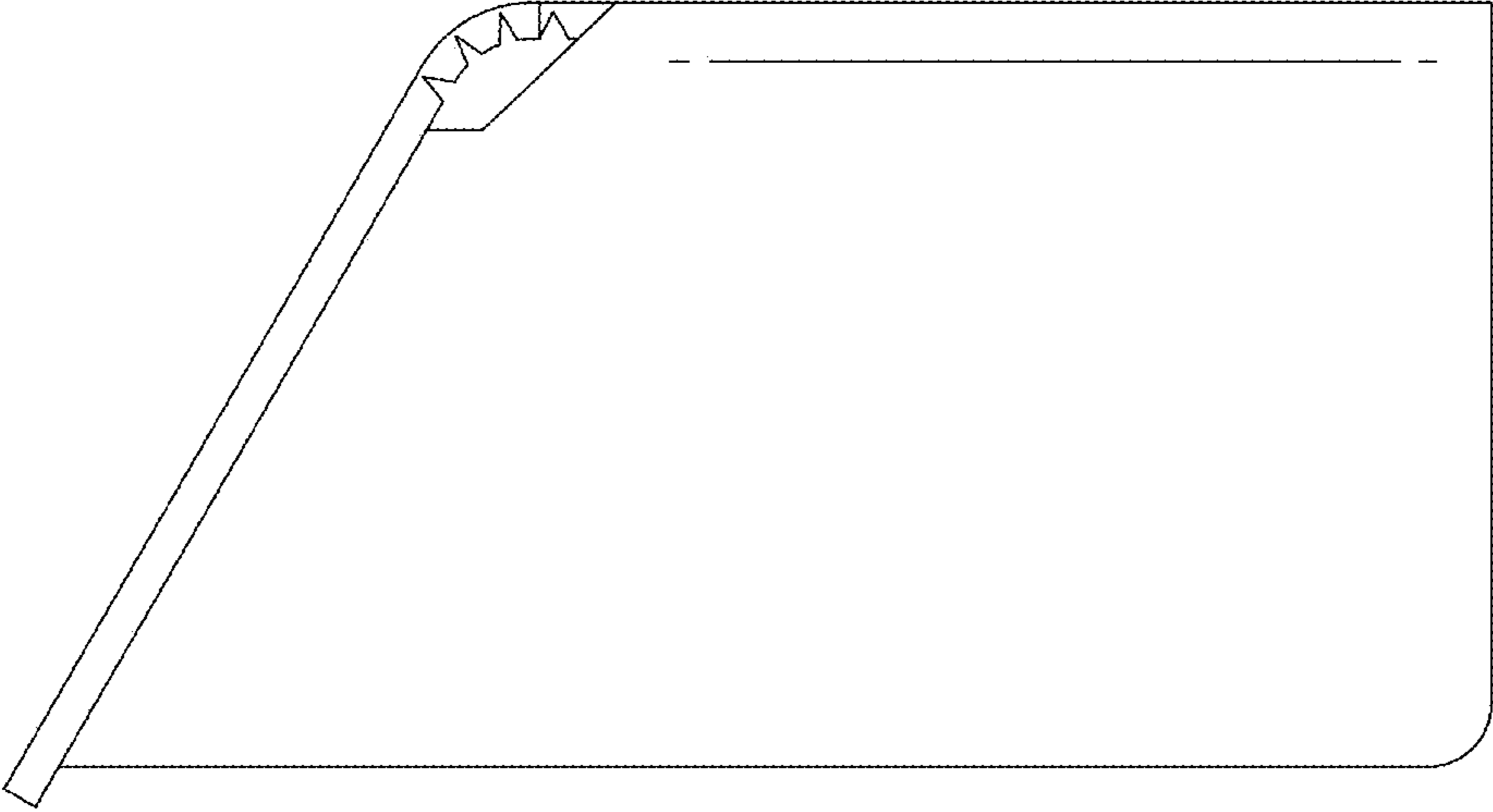
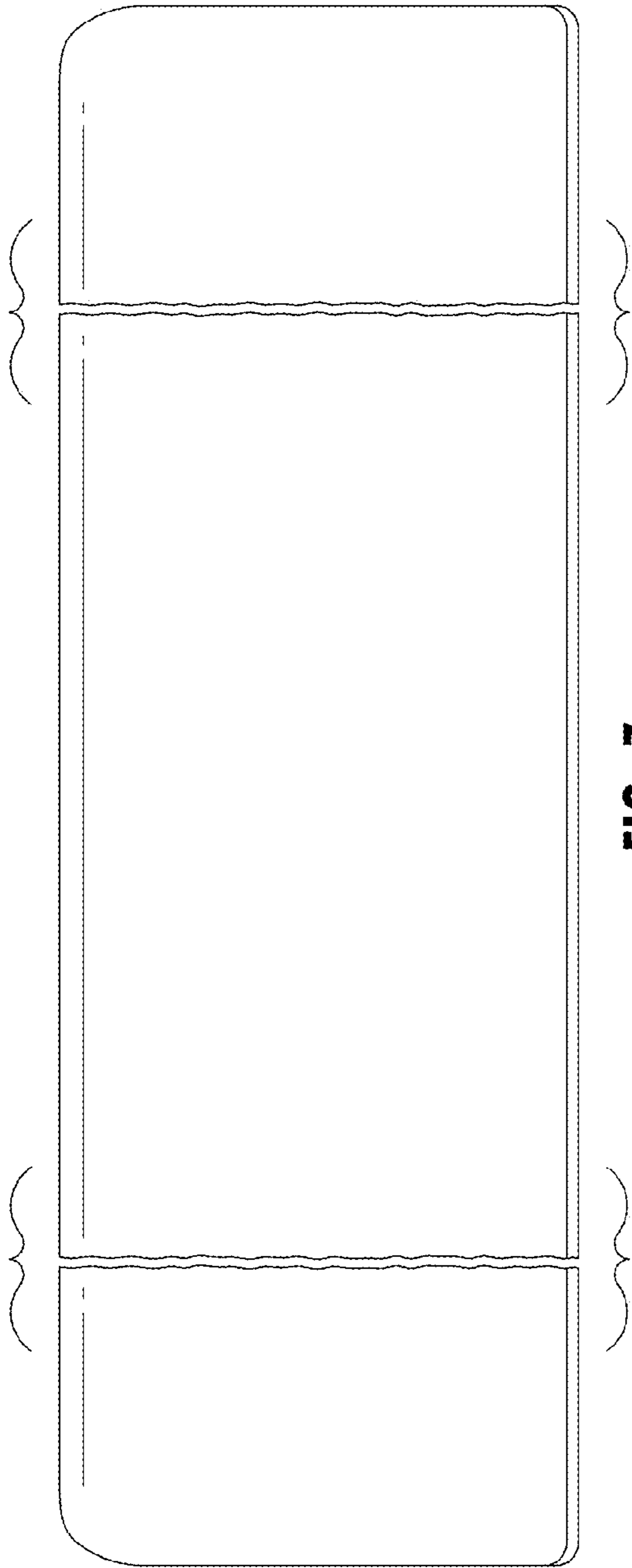
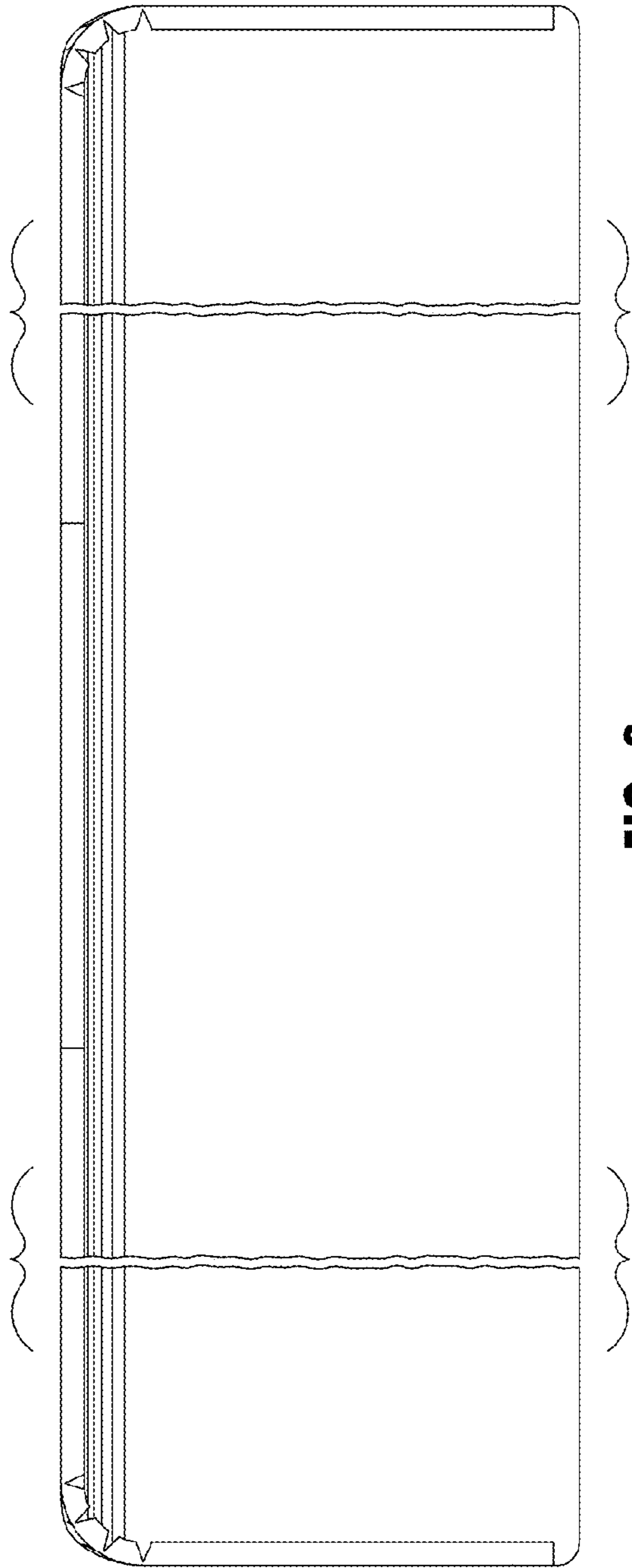


FIG. 6





**FIG. 7**



**FIG. 8**