

US00D966024S

(12) **United States Design Patent** (10) **Patent No.:** **US D966,024 S**  
**Matsumoto et al.** (45) **Date of Patent:** **\*\* Oct. 11, 2022**

(54) **WALL TRANSMISSIVE DISPLAY FOR AIRPLANE SEAT UNIT**

(71) Applicant: **Panasonic Intellectual Property Management Co., Ltd.**, Osaka (JP)

(72) Inventors: **Masaharu Matsumoto**, Osaka (JP); **Takeshi Hatakeyama**, Osaka (JP); **Toshihiro Ezaki**, Osaka (JP)

(73) Assignee: **PANASONIC INTELLECTUAL PROPERTY MANAGEMENT CO., LTD.**, Osaka (JP)

(\*\*) Term: **15 Years**

(21) Appl. No.: **29/752,008**

(22) Filed: **Sep. 24, 2020**

(51) **LOC (13) Cl.** ..... **06-06**

(52) **U.S. Cl.**  
USPC ..... **D6/703**

(58) **Field of Classification Search**

USPC ..... D6/356, 364–365, 374–375, 367, 379, D6/500–502, 713, 716.1–716.7, 329, D6/702–703, 703.1–703.5; D12/195, D12/345; 297/452.21, 452.29, 452.35, 297/452.38, 284.4; 244/118.5, 118.6

CPC ..... B64D 11/0601; B64D 11/0602; B64D 11/0605; B64D 11/0606; B64D 11/0641; B64D 11/0646; B64D 11/0647; B64D 11/0015; B64D 11/0644; B64D 11/00153; B60N 2/02; B60N 2/7011; A47C 1/036; A47C 1/037; A47C 1/02; A47C 1/14; A47C 1/0342; A47C 7/26; A47C 7/506; A47C 7/021; A47C 7/16; A47C 7/18; A47C 7/54; A47C 3/12; A47C 4/03; A47C 4/024; A47C 5/12

See application file for complete search history.

(56) **References Cited**

U.S. PATENT DOCUMENTS

D439,425	S	*	3/2001	Park	.....	D6/356
D583,579	S		12/2008	Pearson et al.		
D641,982	S		7/2011	Darbyshire		
D661,116	S		6/2012	Darbyshire		
D713,160	S	*	9/2014	Roberts	.....	D6/356
D767,908	S	*	10/2016	Berry	.....	D6/336
D768,400	S	*	10/2016	Berry	.....	D6/336
D798,622	S	*	10/2017	Grader	.....	D6/336
D799,226	S	*	10/2017	Grader	.....	D6/336
D806,416	S	*	1/2018	Katakura	.....	D6/356
D893,931	S	*	8/2020	Katakura	.....	D6/716

\* cited by examiner

*Primary Examiner* — Abraham Bahta

(74) *Attorney, Agent, or Firm* — Crowell & Moring LLP

(57) **CLAIM**

We claim the ornamental design for a a wall transmissive display for airplane seat unit, as shown and described.

**DESCRIPTION**

FIG. 1 is a front perspective view of a wall transmissive display for airplane seat unit according to the invention;  
 FIG. 2 is a front view thereof;  
 FIG. 3 is a rear view thereof;  
 FIG. 4 is a left view thereof;  
 FIG. 5 is a right view thereof;  
 FIG. 6 is a top view thereof; and,  
 FIG. 7 is a bottom view thereof.

The broken lines in the drawings form no part of the claimed design. Broken lines formed by equal length dashes show unclaimed subject matter. Broken lines formed of unequal length dashes (i.e., dash-dot) define bounds of the claimed design.

**1 Claim, 7 Drawing Sheets**

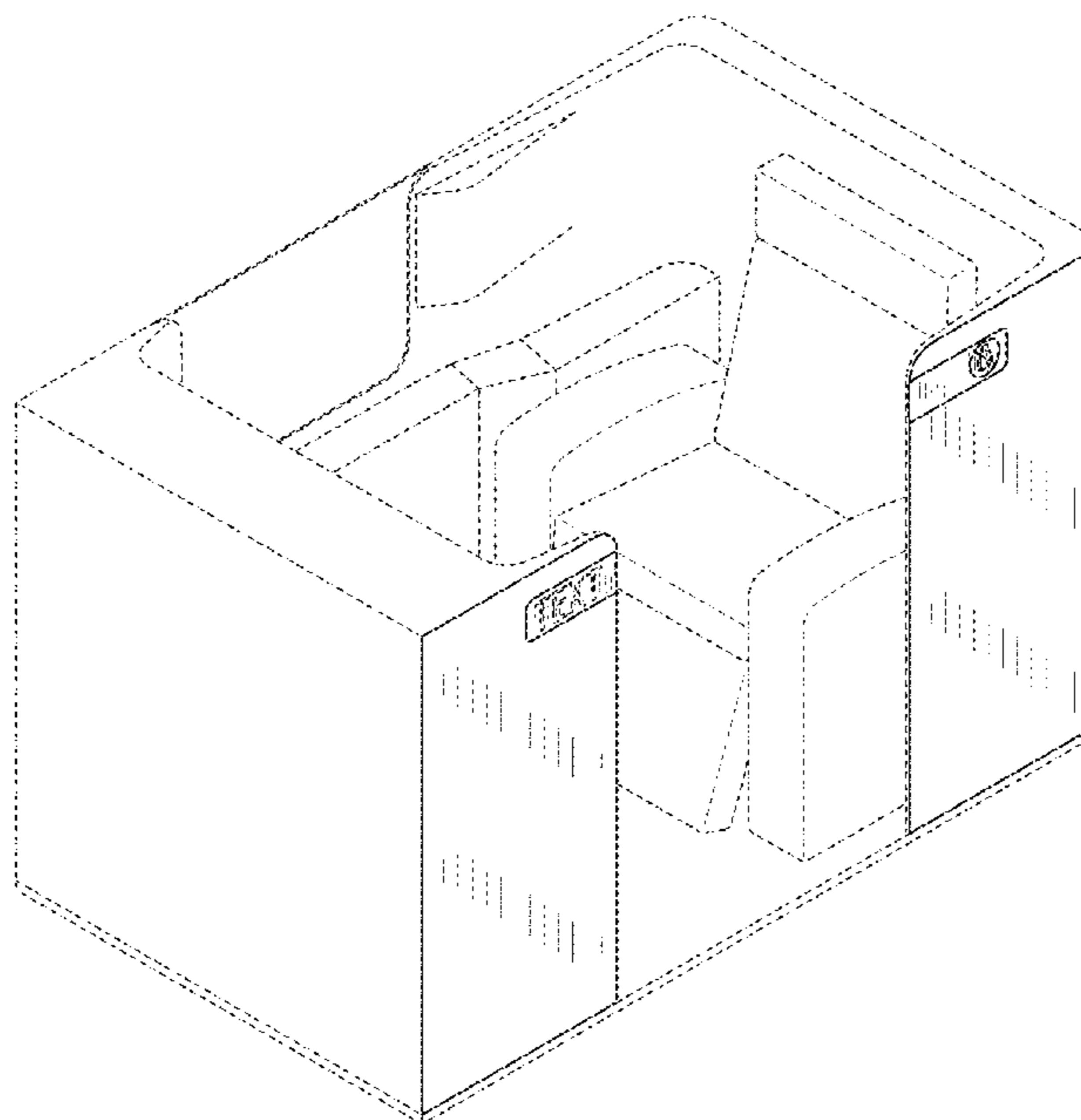


FIG. 1

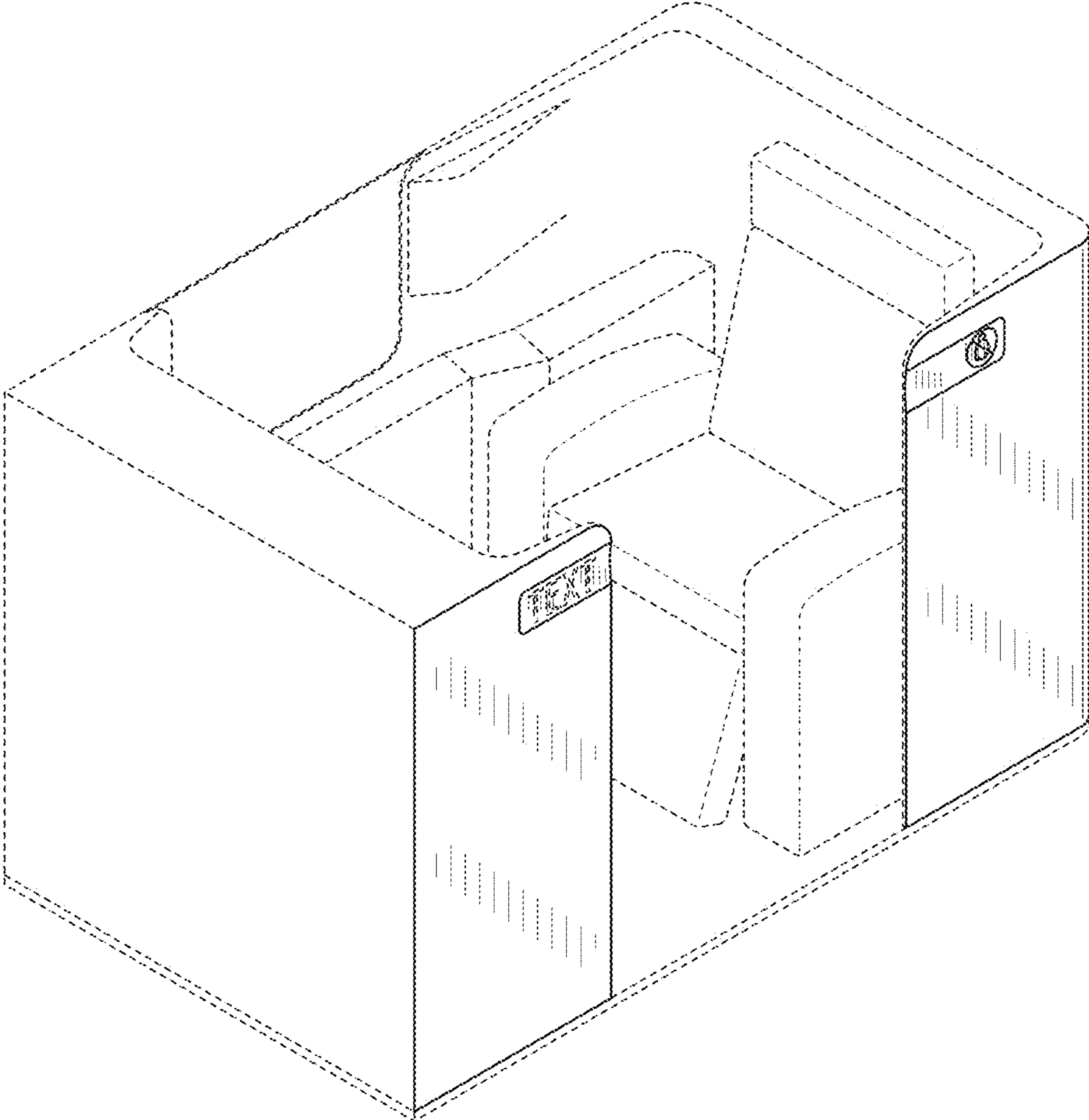


FIG. 2

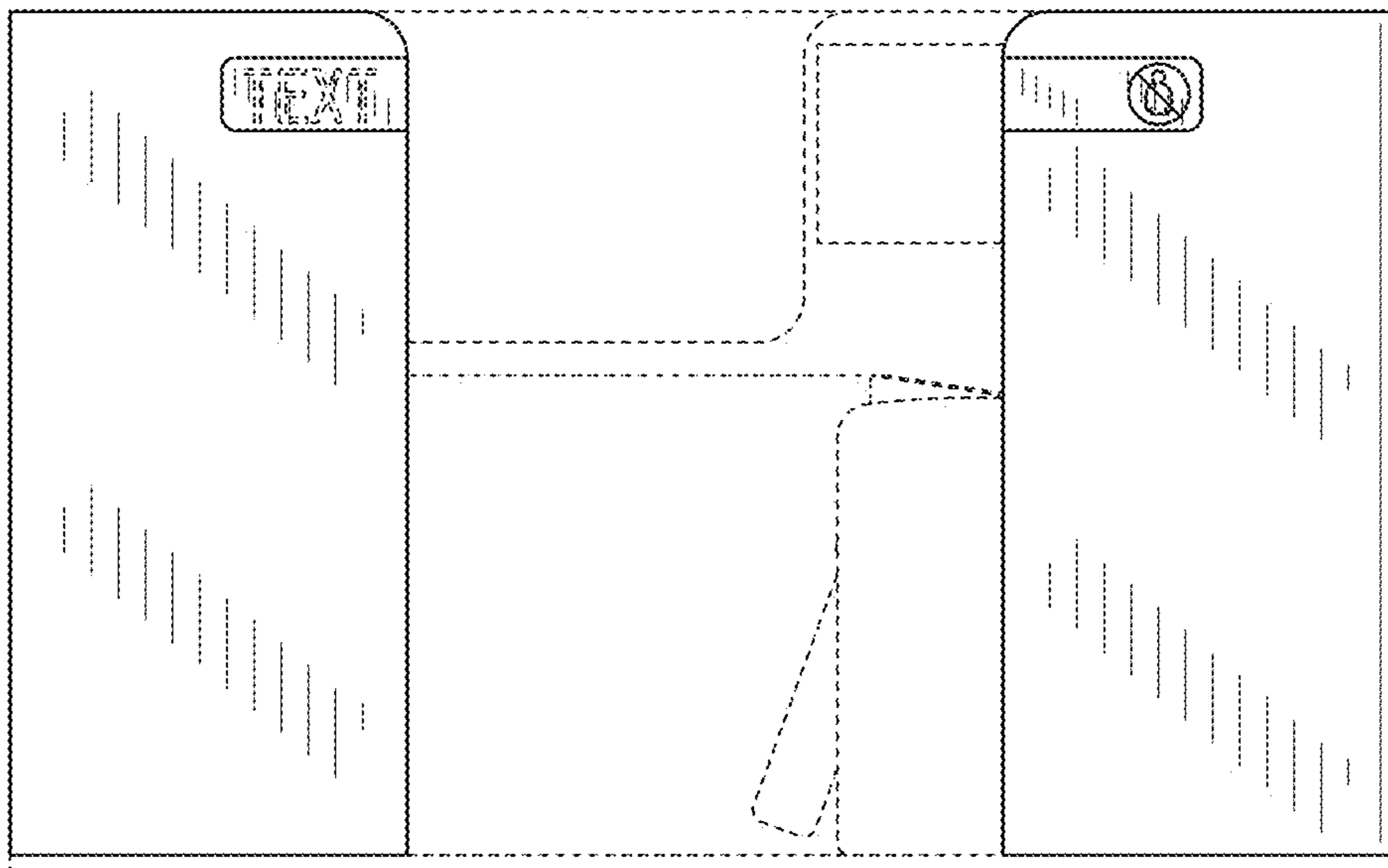


FIG. 3

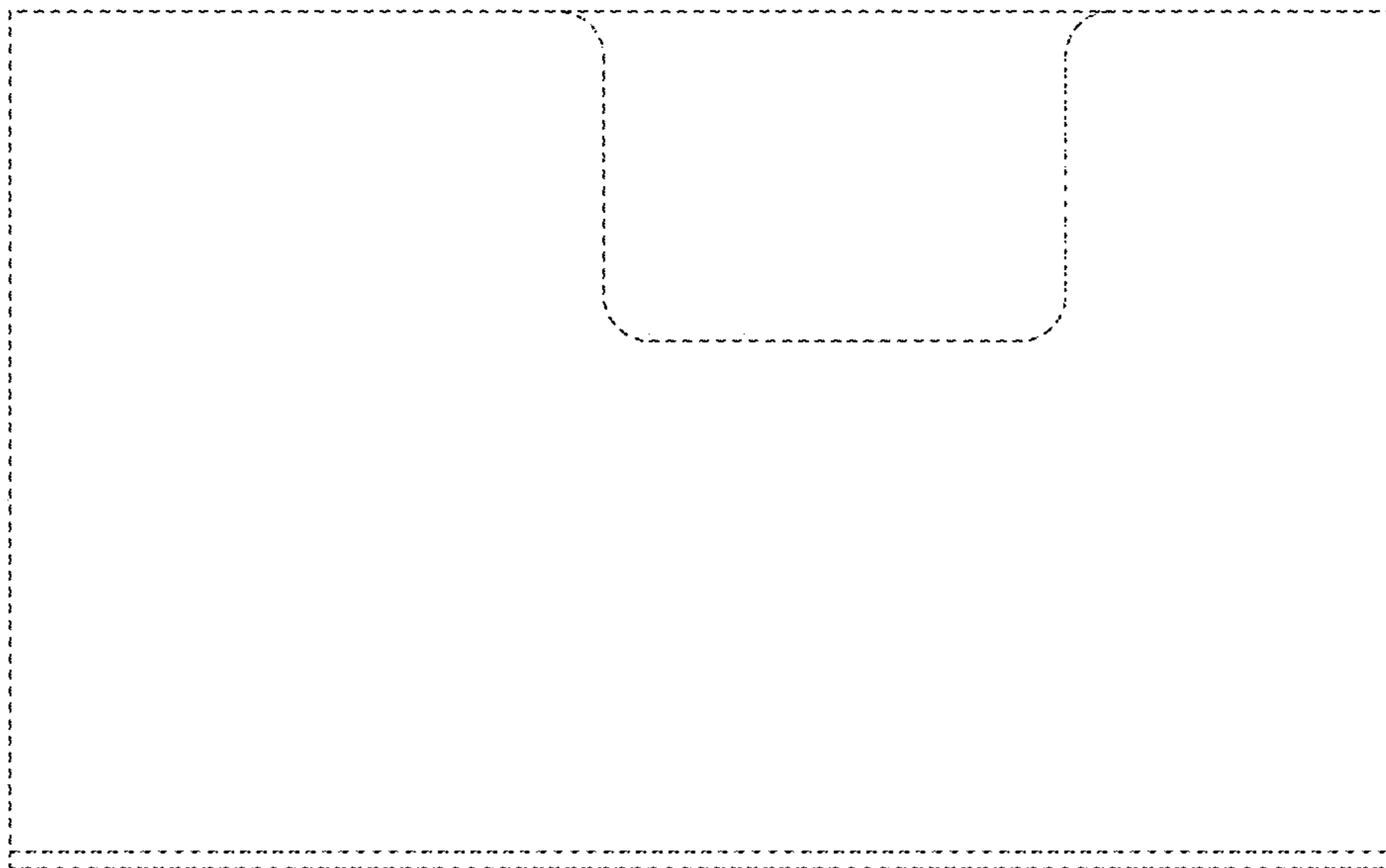


FIG. 4

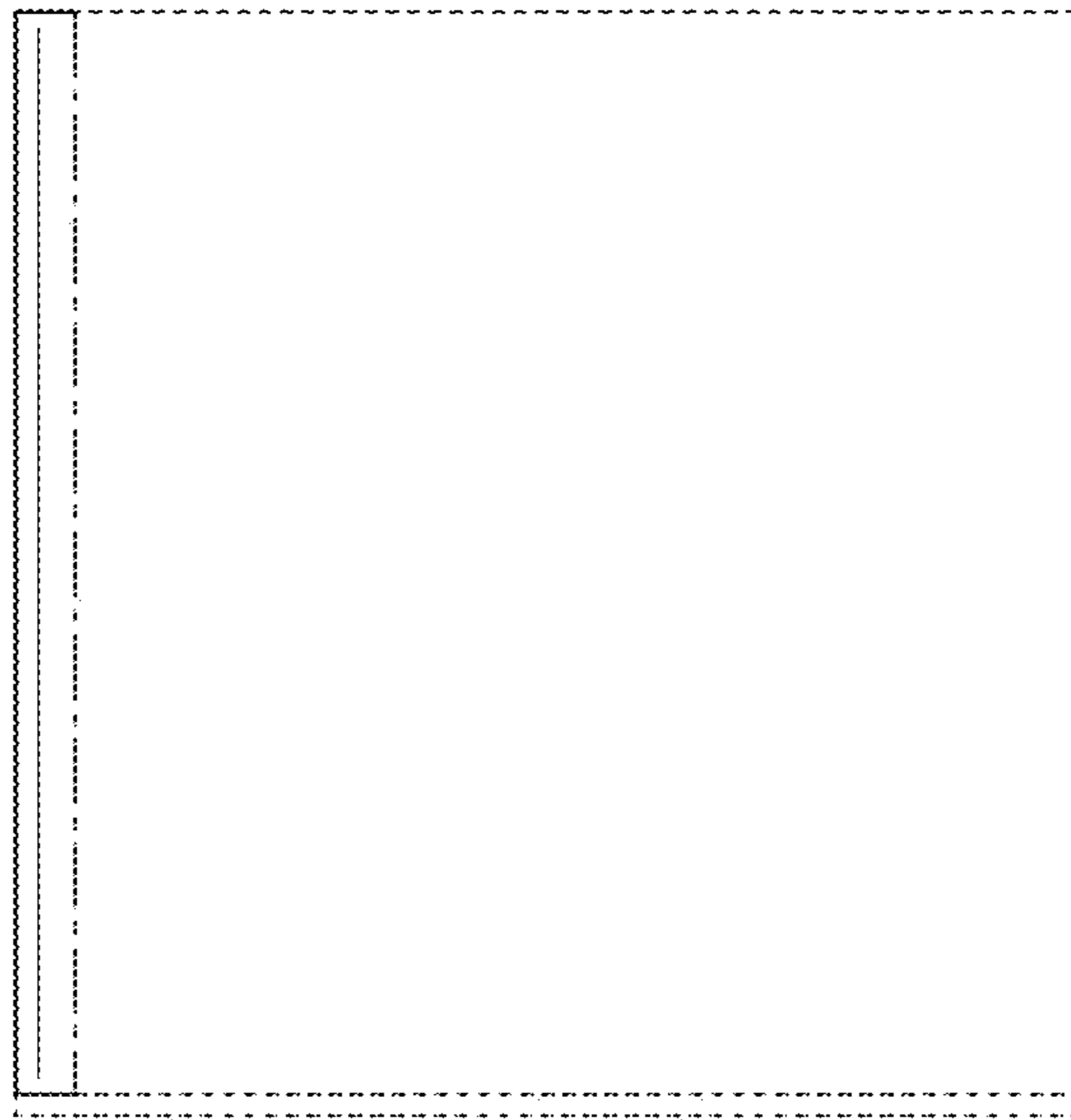


FIG. 5

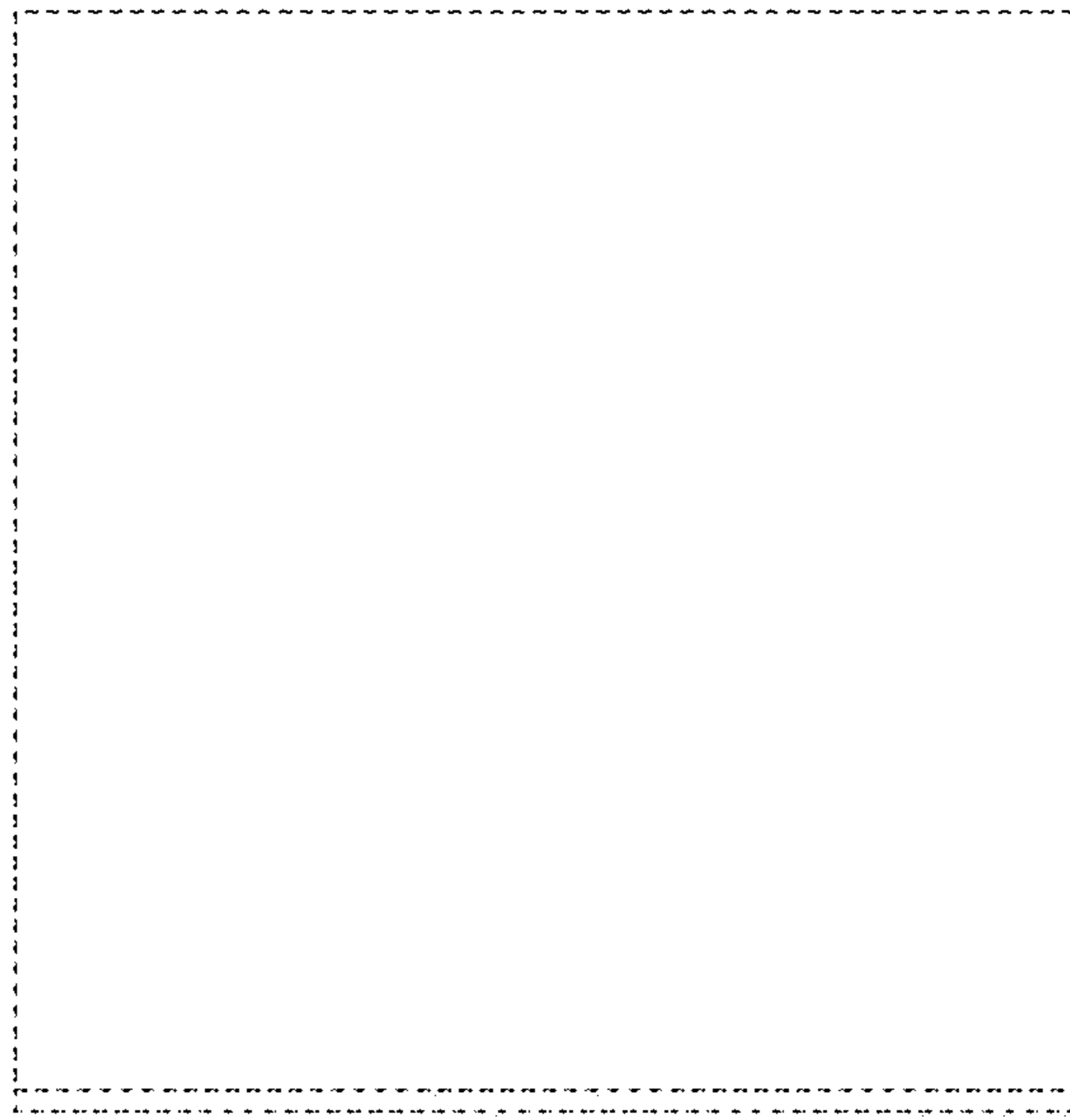


FIG. 6

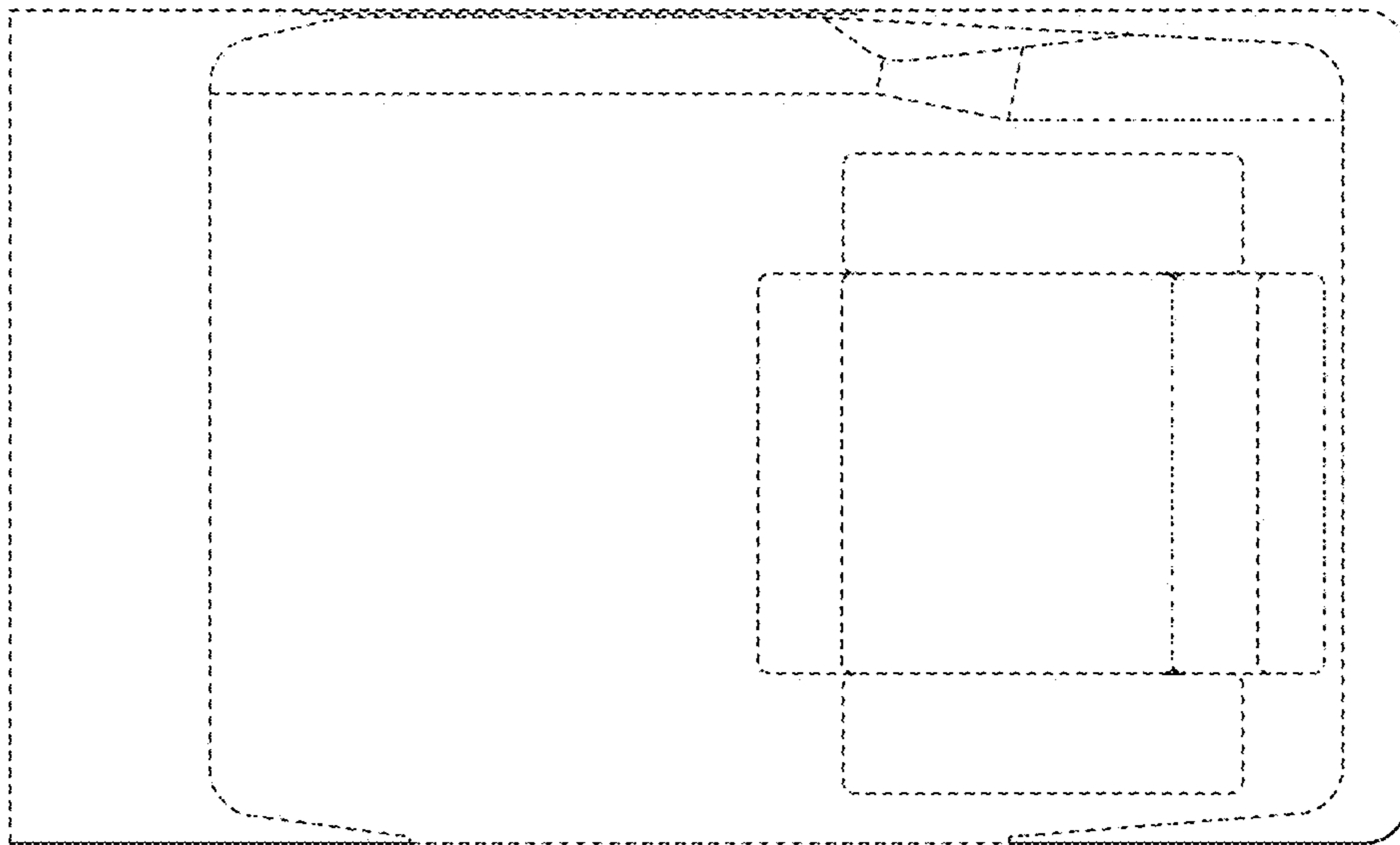


FIG. 7

