



US00D966023S

(12) **United States Design Patent** (10) **Patent No.:** **US D966,023 S**
Sun (45) **Date of Patent:** **** Oct. 11, 2022**

- (54) **COMBINRD MICROPHONE AND PHONE HOLDER FOR MUSIC SHEET STAND**
- (71) Applicant: **SHENZHEN QIANPIN TECHNOLOGY CO., LTD.**, Shenzhen (CN)
- (72) Inventor: **Yujun Sun**, Xingning (CN)
- (73) Assignee: **SHENZHEN QIANPIN TECHNOLOGY CO., LTD.**, Shenzhen (CN)
- (**) Term: **15 Years**
- (21) Appl. No.: **29/802,999**
- (22) Filed: **Aug. 10, 2021**
- (51) **LOC (13) Cl.** **06-06**
- (52) **U.S. Cl.**
USPC **D6/701**
- (58) **Field of Classification Search**
USPC D6/700-703; D14/225, 226, 229, 251
CPC . A47B 19/00; A47B 19/002; A47B 2019/004;
A47B 2019/006; A47B 2019/008
See application file for complete search history.

- D540,564 S * 4/2007 Tai A47B 19/002
D6/701
- D669,890 S * 10/2012 Hopkins H04R 1/08
D14/251
- 9,088,845 B2 * 7/2015 Mariano H04R 1/08
- 2002/0066837 A1 6/2002 Dunbar

* cited by examiner

Primary Examiner — Mary Ann Calabrese

(57) **CLAIM**

The ornamental design for a combined microphone and phone holder for music sheet stand, as shown and described.

DESCRIPTION

FIG. 1 is a front perspective view of a combined microphone and phone holder for music sheet stand showing my new design;
 FIG. 2 is a rear perspective view thereof;
 FIG. 3 is a front elevational view thereof;
 FIG. 4 is a rear elevational view thereof;
 FIG. 5 is a left side elevational view thereof;
 FIG. 6 is a right side elevational view thereof;
 FIG. 7 is a top plan view thereof;
 FIG. 8 is a bottom plan view thereof;
 FIG. 9 is an exploded perspective view of the combined microphone and phone holder for music sheet stand; and,
 FIG. 10 is an enlarged detailed view of the encircled area 10 shown in FIG. 1.

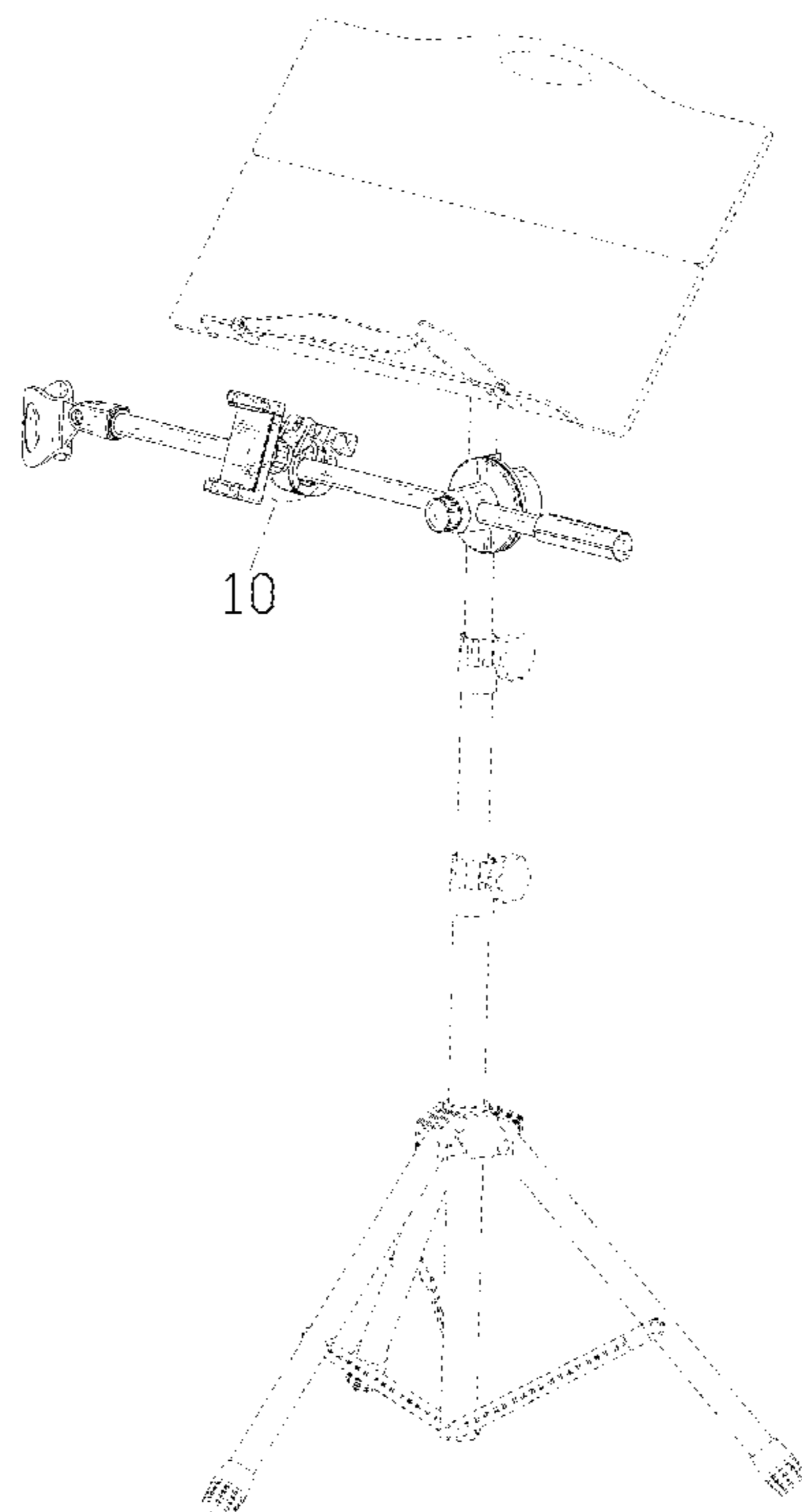
The dash-dash broken lines in the drawings depict portions of the combined microphone and phone holder for music sheet stand that form no part of the claimed design. The dot-dash broken lines represent boundaries of the enlarged portion and form no part of the claimed design.

1 Claim, 10 Drawing Sheets

(56) **References Cited**

U.S. PATENT DOCUMENTS

- 1,734,577 A * 11/1929 Henry A47B 19/002
16/109
- 6,316,706 B1 * 11/2001 Sammons G10G 5/00
84/421
- 6,720,490 B1 * 4/2004 Bruce A47B 19/002
84/421



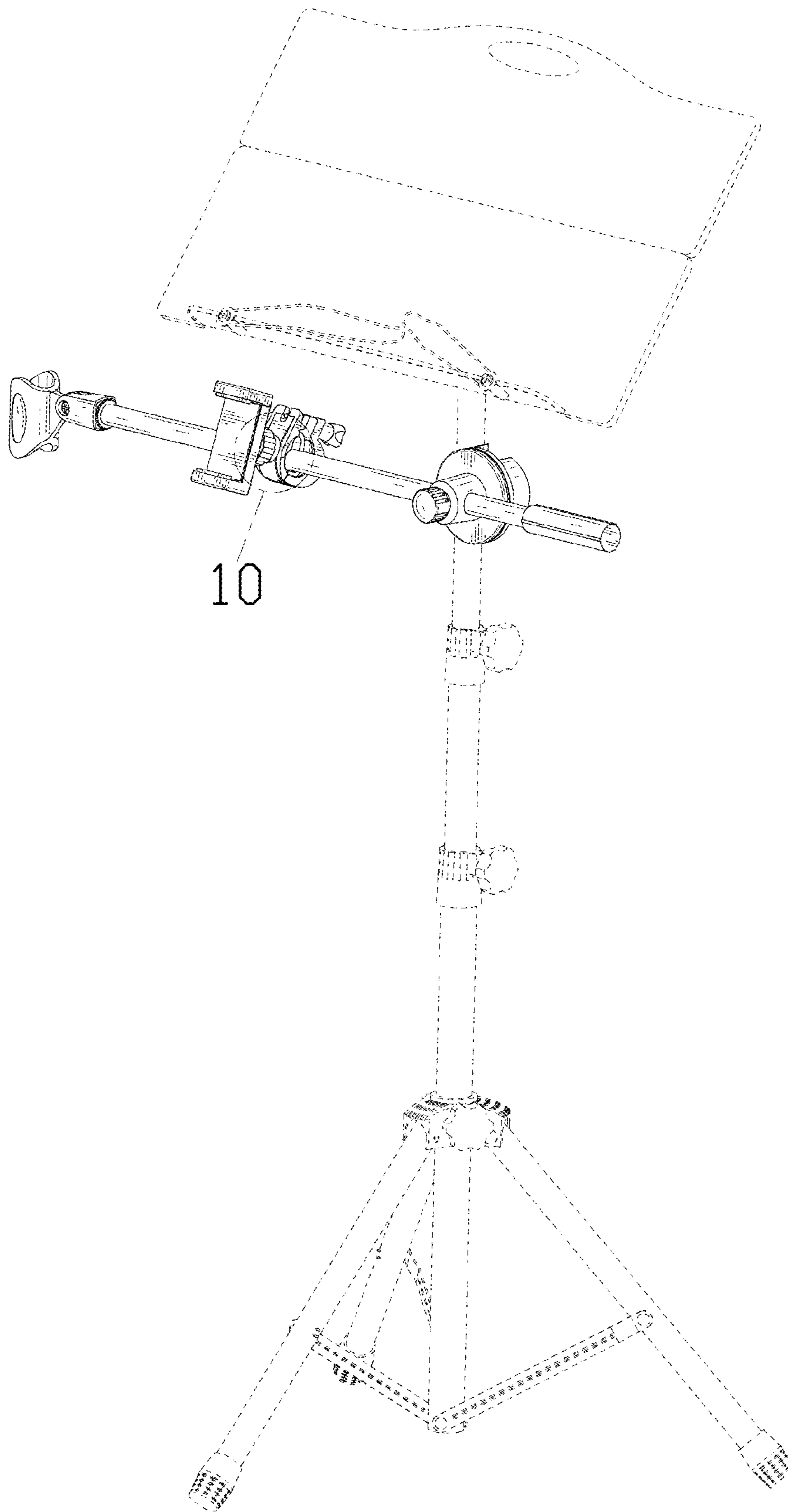


FIG. 1

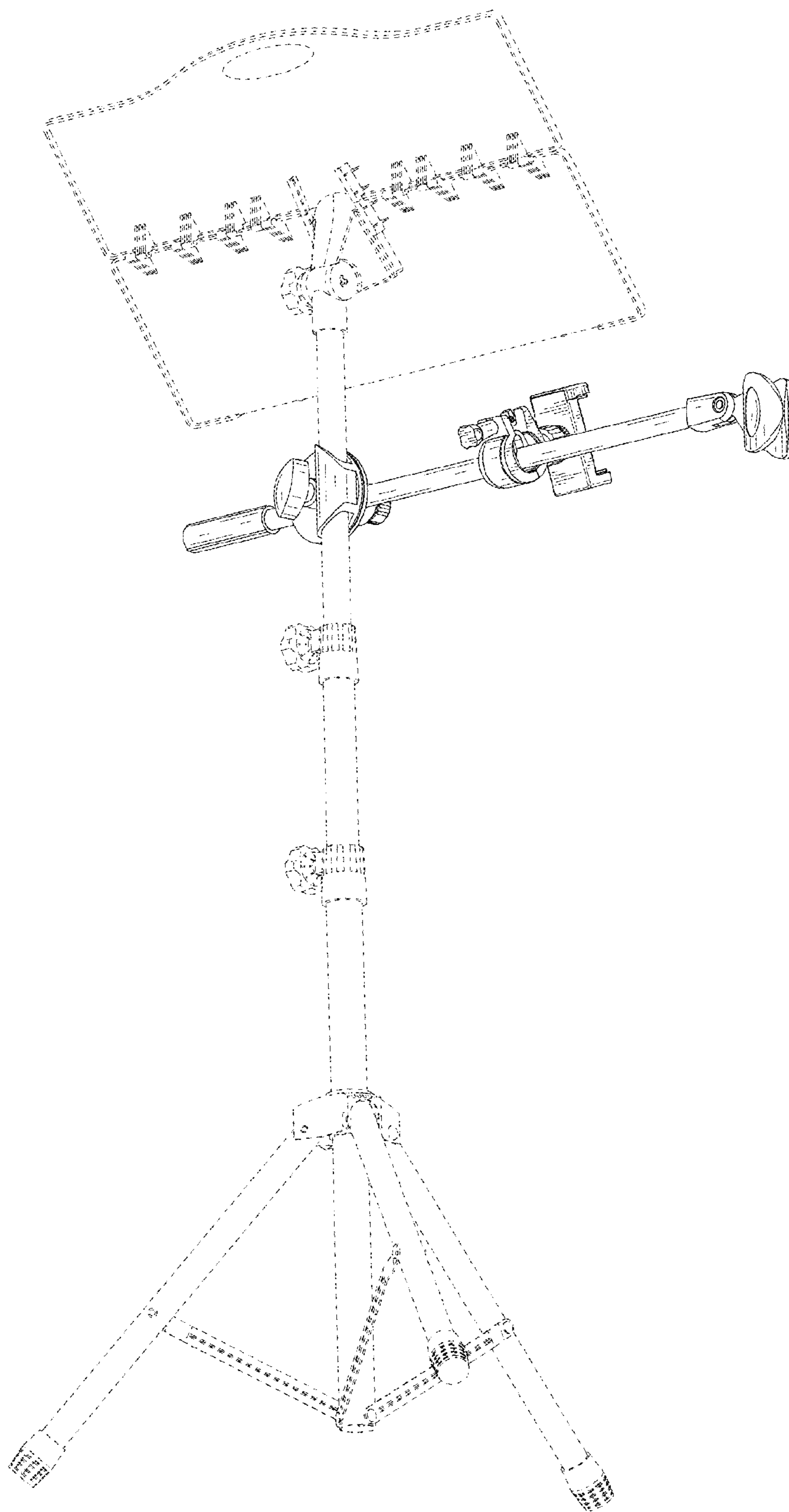


FIG. 2

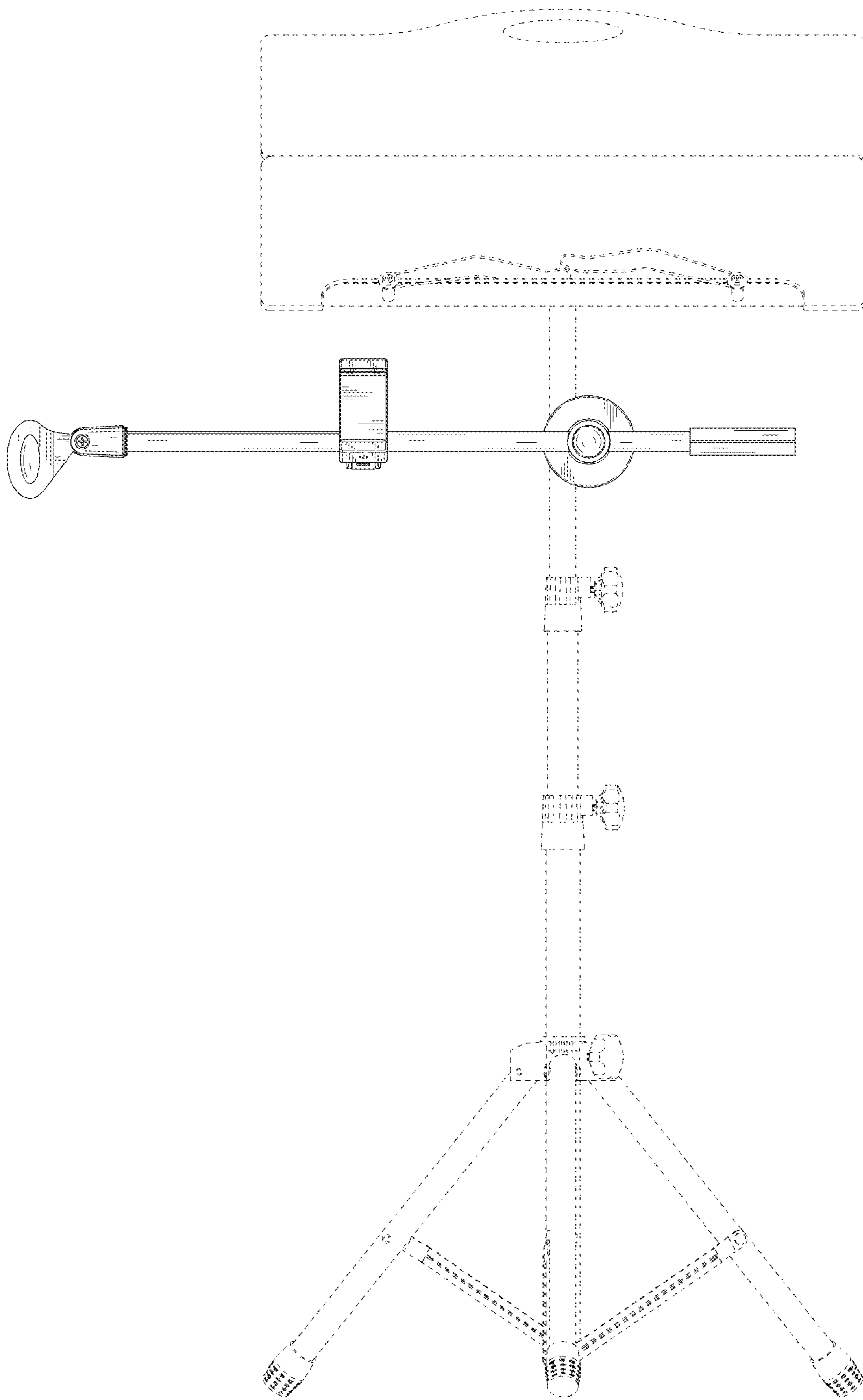


FIG. 3

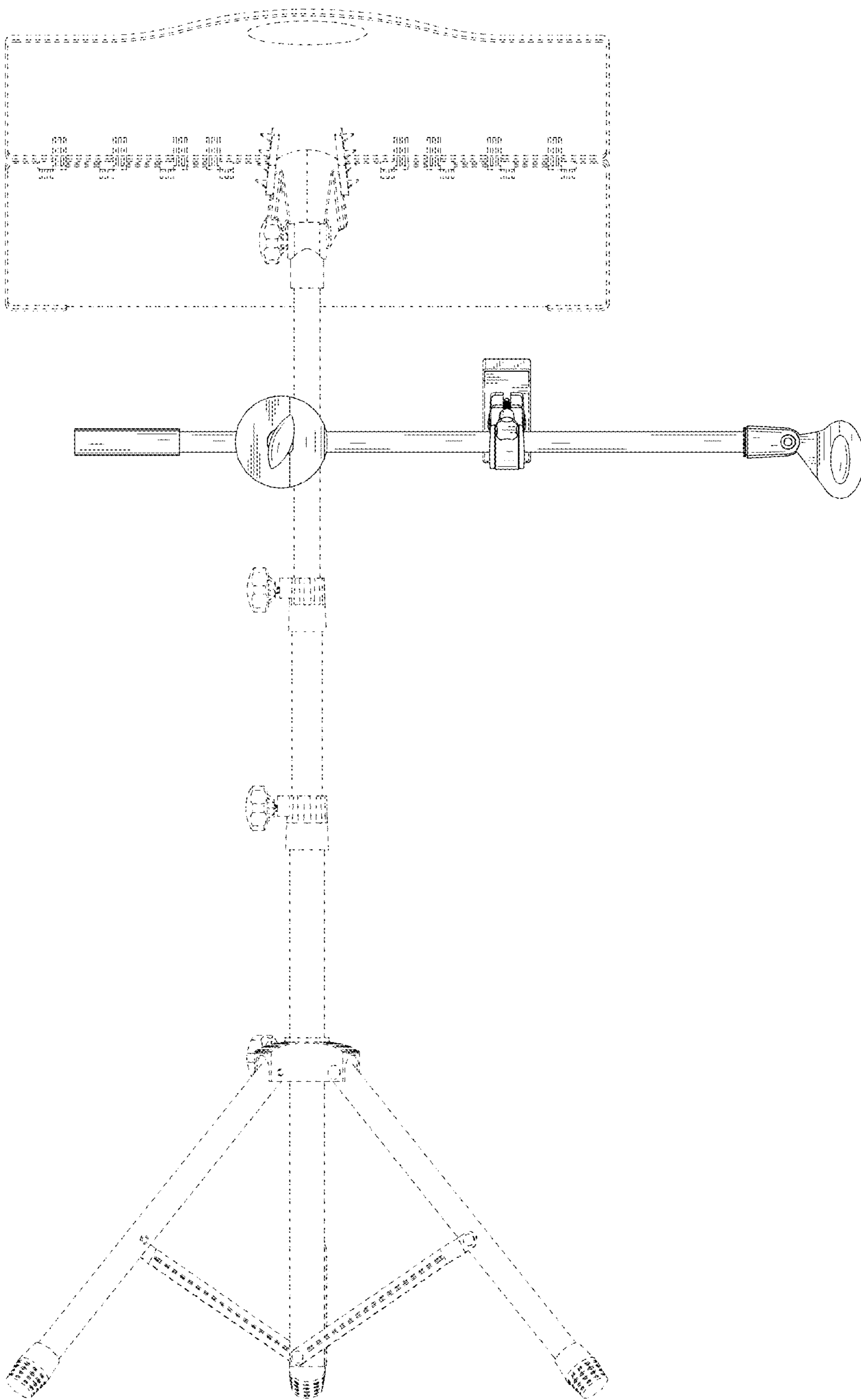


FIG. 4

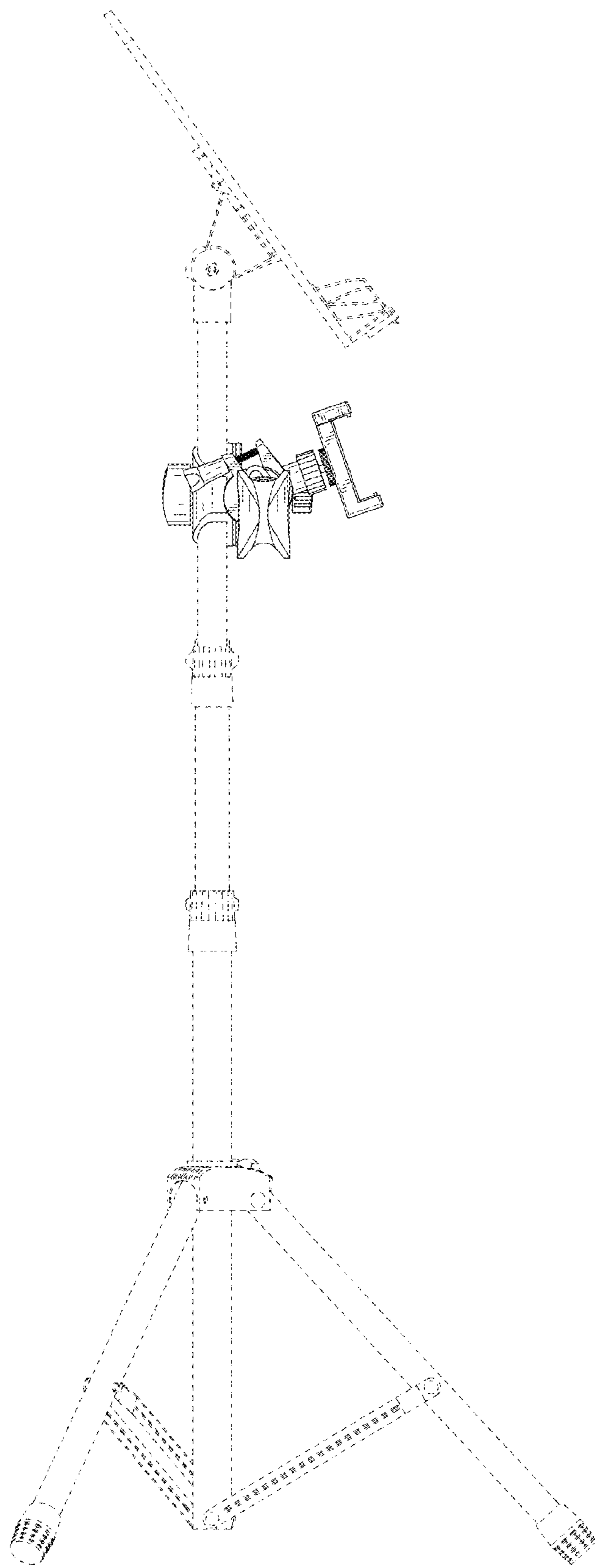


FIG. 5

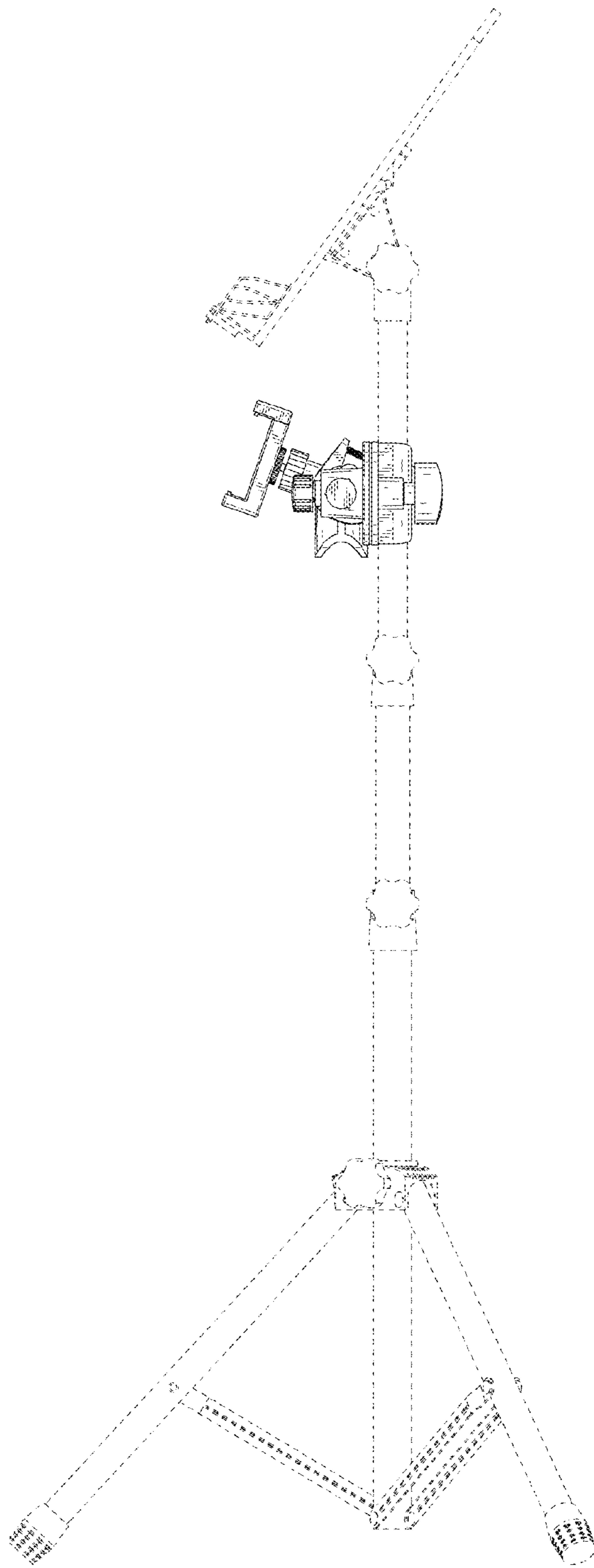


FIG. 6

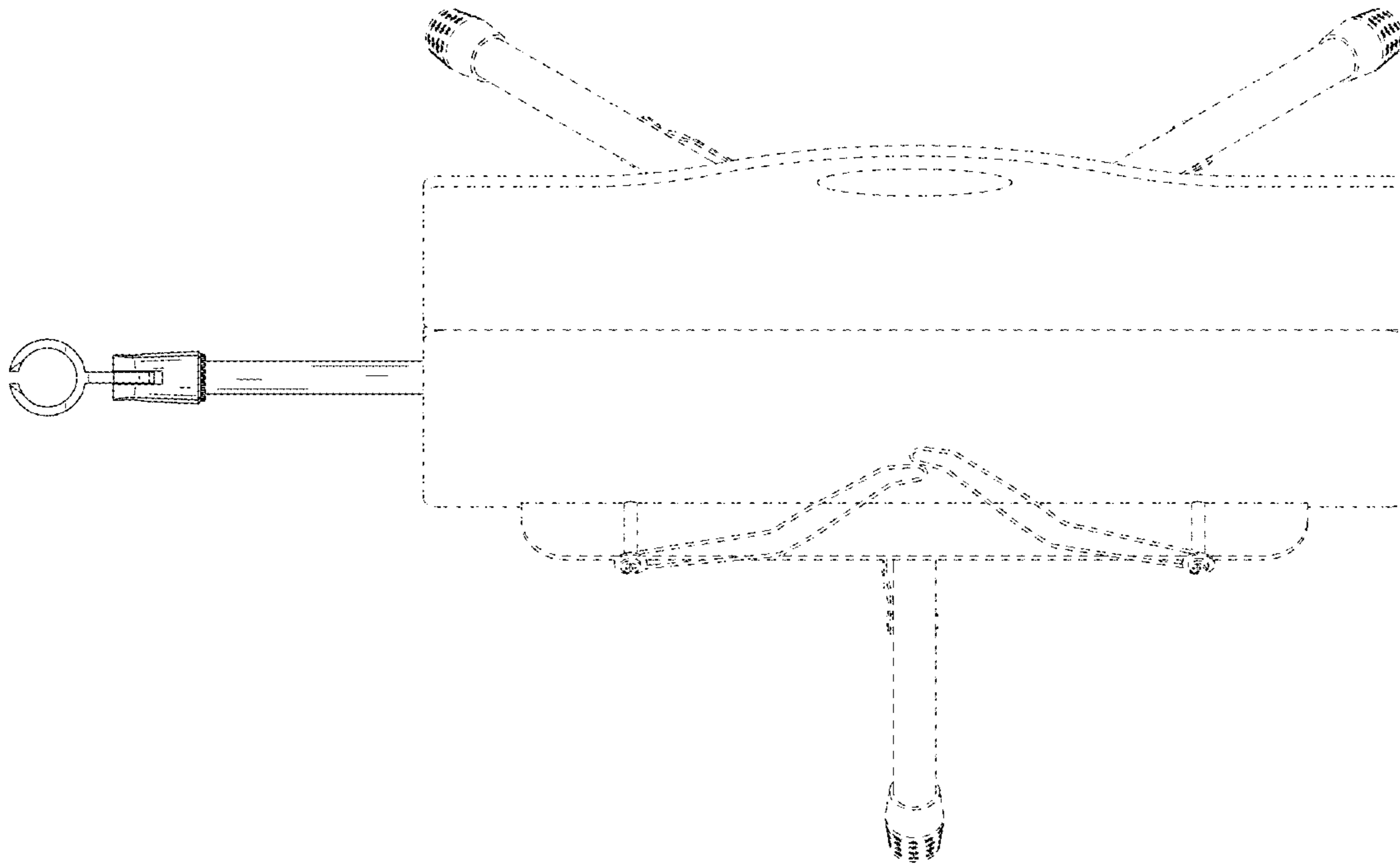


FIG. 7

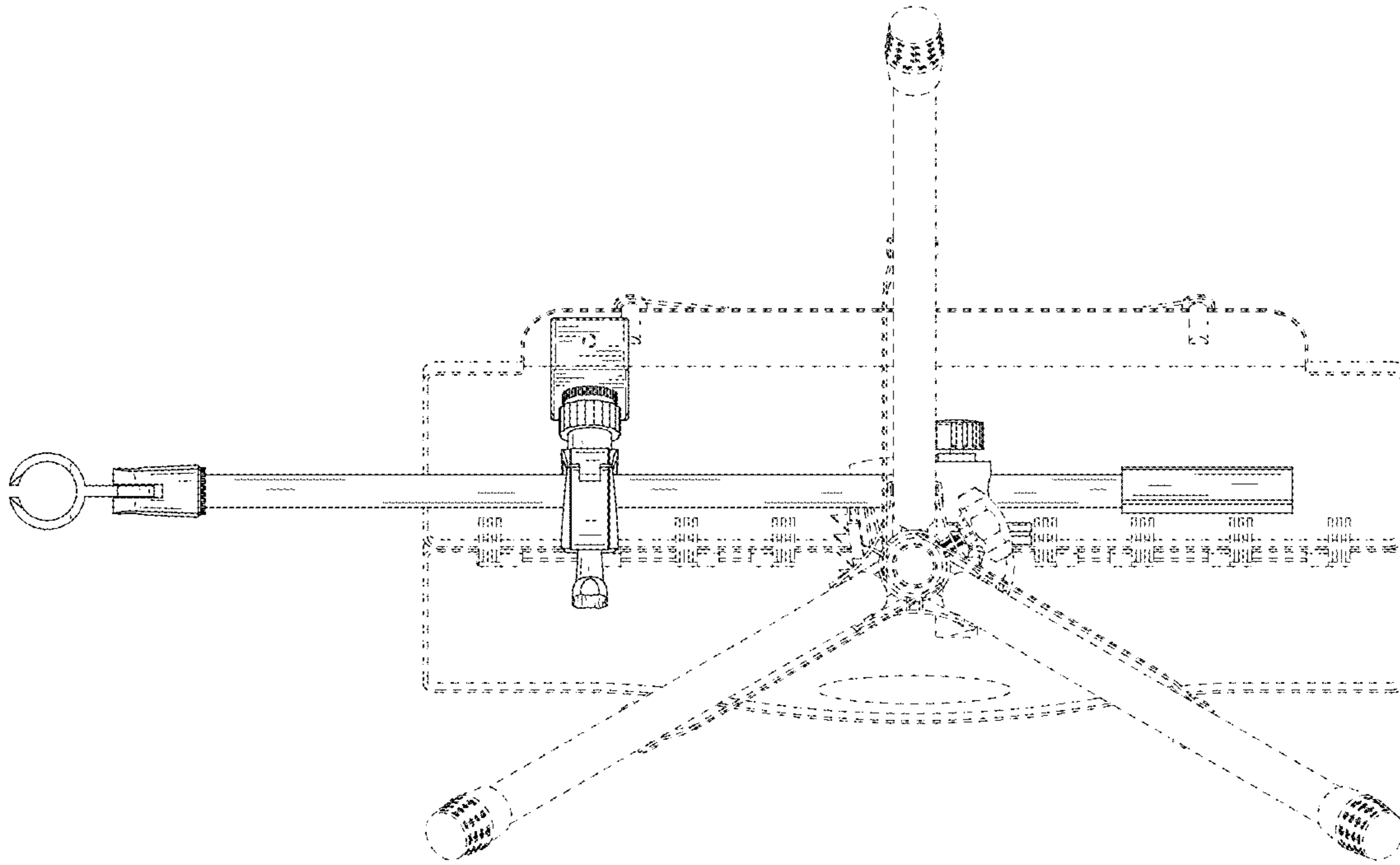


FIG. 8

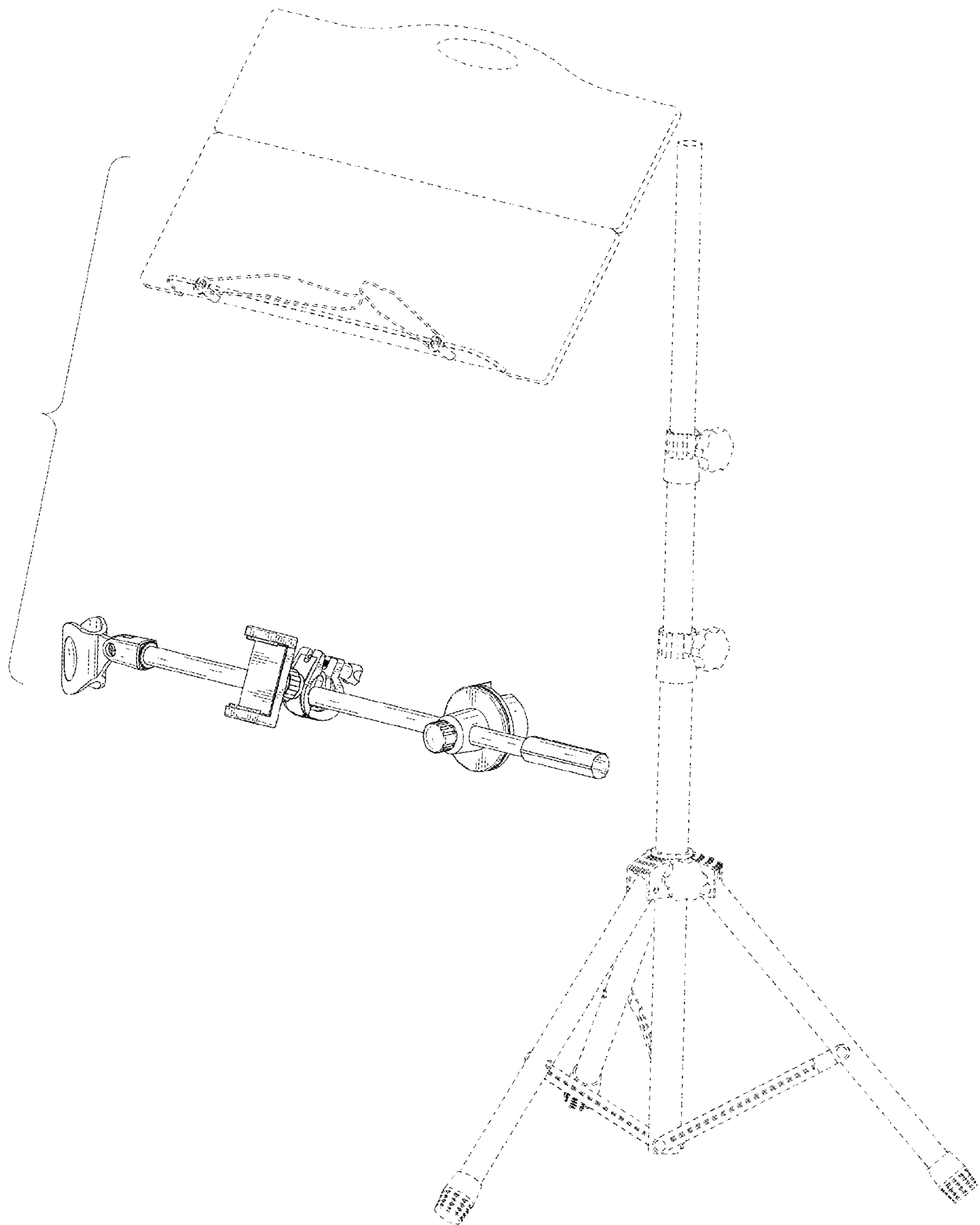


FIG. 9

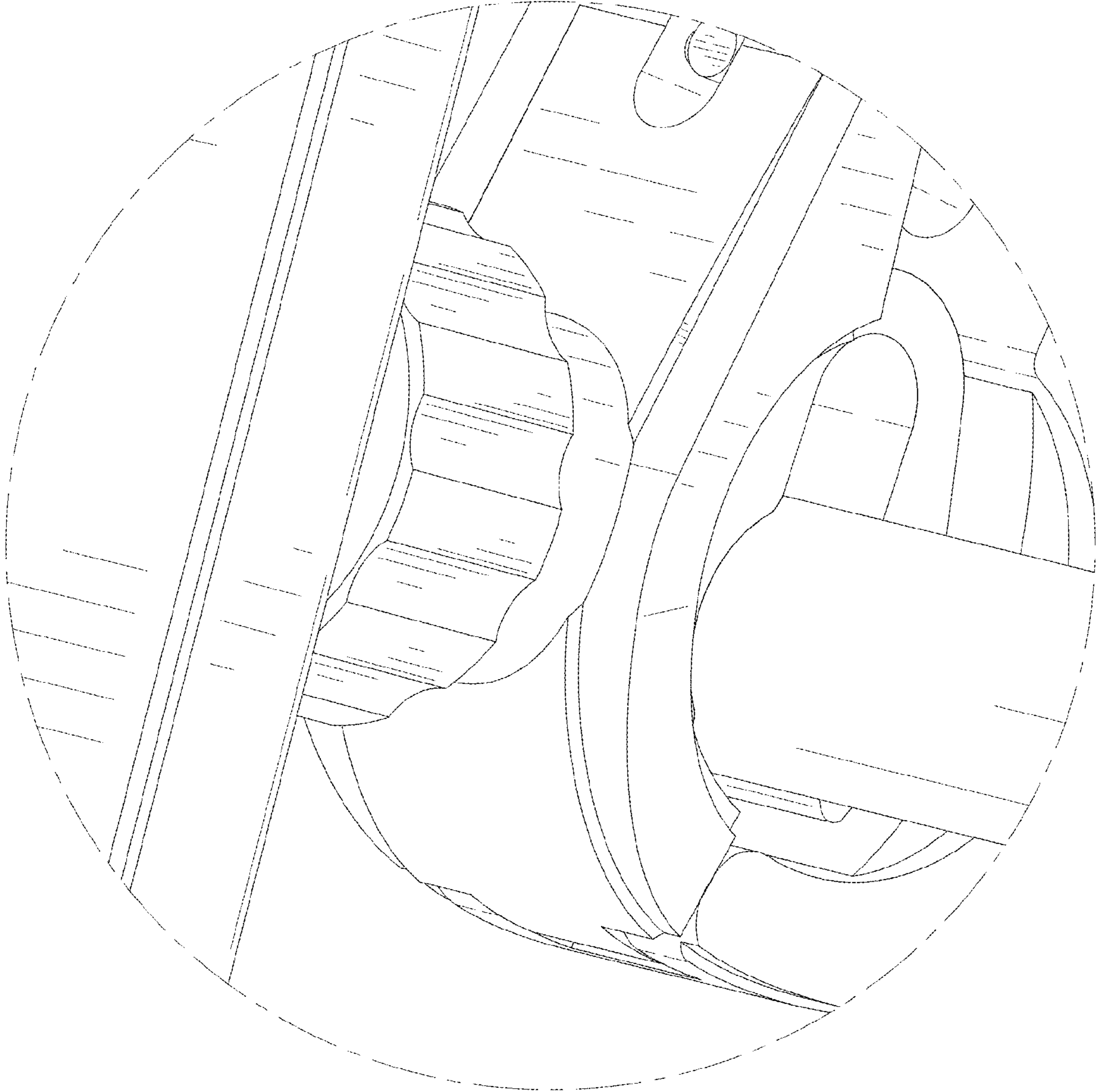


FIG. 10