



US00D966022S

(12) **United States Design Patent**  
**Kong**

(10) **Patent No.:** **US D966,022 S**

(45) **Date of Patent:** **\*\* Oct. 11, 2022**

(54) **TABLE**

(71) Applicant: **GoPlus Corp.**, Fontana, CA (US)

(72) Inventor: **Xujuan Kong**, Ningbo (CN)

(73) Assignee: **GOPLUS CORP.**, Fontana, CA (US)

(\*\*) Term: **15 Years**

(21) Appl. No.: **29/739,236**

(22) Filed: **Jun. 23, 2020**

(51) **LOC (13) Cl.** ..... **06-03**

(52) **U.S. Cl.**  
USPC ..... **D6/692.1**

(58) **Field of Classification Search**  
USPC ..... D6/691.1, 691.3, 691.4, 691.5, 691.6,  
D6/691.2, 685, 689, 690, 692, 692.1,  
D6/692.2, 692.3, 692.4, 692.5, 686, 700  
CPC ..... A47B 13/08; A47B 37/04; A47B 3/00;  
A47B 13/023; A47B 5/04; A47B  
2013/022; A47B 7/00; A47B 13/00; A47B  
13/02; A47B 13/04; A47B 13/06; A47B  
13/12; A47B 21/00; A47B 2200/0001;  
A47B 2200/0011

See application file for complete search history.

(56) **References Cited**

**U.S. PATENT DOCUMENTS**

D44,297 S *	7/1913	Coffin	.....	D6/692.4
D176,928 S *	2/1956	Puglia	.....	D6/692.1
D225,940 S *	1/1973	Torrey	.....	D6/692
D235,953 S *	7/1975	Uyeda	.....	D6/692.4
D280,371 S *	9/1985	Bayly	.....	D6/692.1
D357,144 S *	4/1995	Hand	.....	D6/692
D373,694 S *	9/1996	Grosfillex	.....	D6/692.1
D401,787 S *	12/1998	Zarker, Jr.	.....	D6/692.1
D412,254 S *	7/1999	Gower	.....	D6/692.1

D415,909 S *	11/1999	Valderen	.....	D6/685
D425,334 S *	5/2000	Ismail	.....	D6/692.1
D428,741 S *	8/2000	Hazen	.....	D6/692.1

(Continued)

**OTHER PUBLICATIONS**

Wooden Outdoor Round Picnic Table by Unknown, first available: Feb. 13, 2021. Overstock.com [online], [site visited Apr. 28, 2022], Internet URL: <https://www.overstock.com/Home-Garden/Wooden-Outdoor-Round-Picnic-Table-with-Bench-for-Patio-6-Person-with-Umbrella-Hole-Natural/32801468/product.html> (Year: 2021).\*

(Continued)

*Primary Examiner* — Steven J Cxyz

*Assistant Examiner* — Hillary Catherine Shepard

(74) *Attorney, Agent, or Firm* — Troutman Pepper Hamilton Sanders LLP

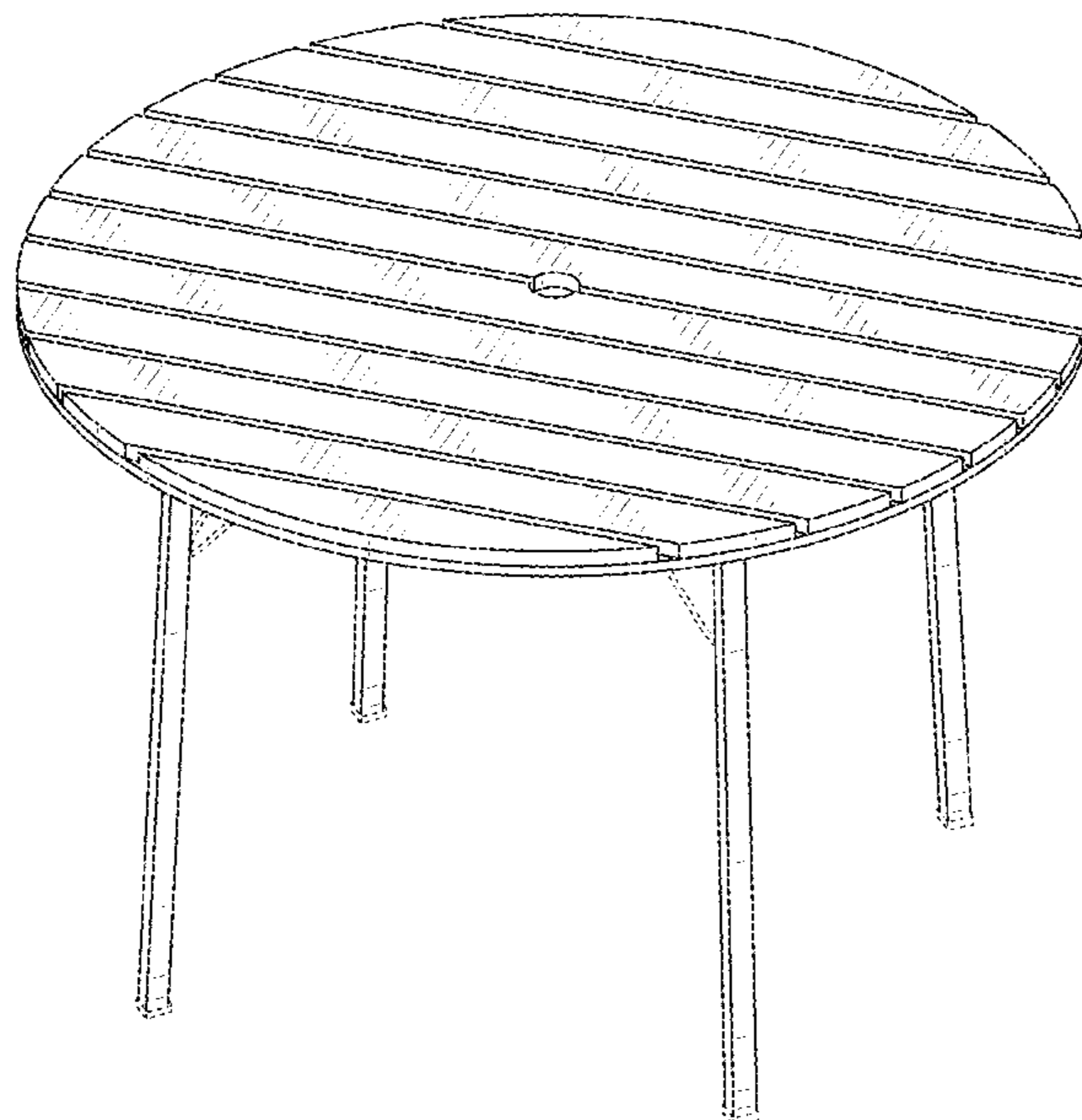
(57) **CLAIM**

I claim the ornamental design for a table, as shown and described.

**DESCRIPTION**

FIG. 1 is an upper perspective view of a table; FIG. 2 is a lower perspective view of the design shown in FIG. 1; FIG. 3 is a front plan view of the design shown in FIG. 1; FIG. 4 is a rear plan view of the design shown in FIG. 1; FIG. 5 is a left side plan view of the design shown in FIG. 1; FIG. 6 is a right side plan view of the design shown in FIG. 1; FIG. 7 is a top plan view of the design shown in FIG. 1; and, FIG. 8 is a bottom plan view of the design shown in FIG. 1. The broken lines in the figures are for the purpose of illustrating portions of the table, which form no part of the claimed design. The shade lines shown represent surface shading and not surface ornamentation, color, or material type.

**1 Claim, 8 Drawing Sheets**



(56)

**References Cited**

U.S. PATENT DOCUMENTS

D440,087 S \* 4/2001 Noll ..... D6/707.18  
 D547,572 S \* 7/2007 Goldstein ..... D6/692.1  
 D559,596 S \* 1/2008 Matty ..... D6/707.2  
 D560,082 S \* 1/2008 Theemann ..... D6/692.6  
 D569,665 S \* 5/2008 Thompson ..... D6/707.2  
 D594,677 S \* 6/2009 Arkitekter ..... D6/692  
 D625,531 S \* 10/2010 Everson ..... D6/692.4  
 D738,147 S \* 9/2015 Lin ..... D6/692  
 D742,147 S \* 11/2015 Lin ..... D6/692  
 D787,868 S \* 5/2017 Lin ..... D6/692  
 D796,878 S \* 9/2017 Burden ..... D6/692.3  
 D861,402 S \* 10/2019 Ramos ..... D6/692  
 D915,805 S \* 4/2021 van Thiel ..... D6/692.6  
 D923,984 S \* 7/2021 Chavarria Domingo ... D6/692.4  
 D923,985 S \* 7/2021 Chavarria Domingo ... D6/692.4  
 D933,406 S \* 10/2021 Xiao ..... D6/691.1

2006/0150870 A1\* 7/2006 Mai ..... A47B 3/00  
 108/50.12  
 2017/0013954 A1\* 1/2017 Browne ..... A47B 3/002  
 2021/0219711 A1\* 7/2021 Lai ..... F16B 12/44

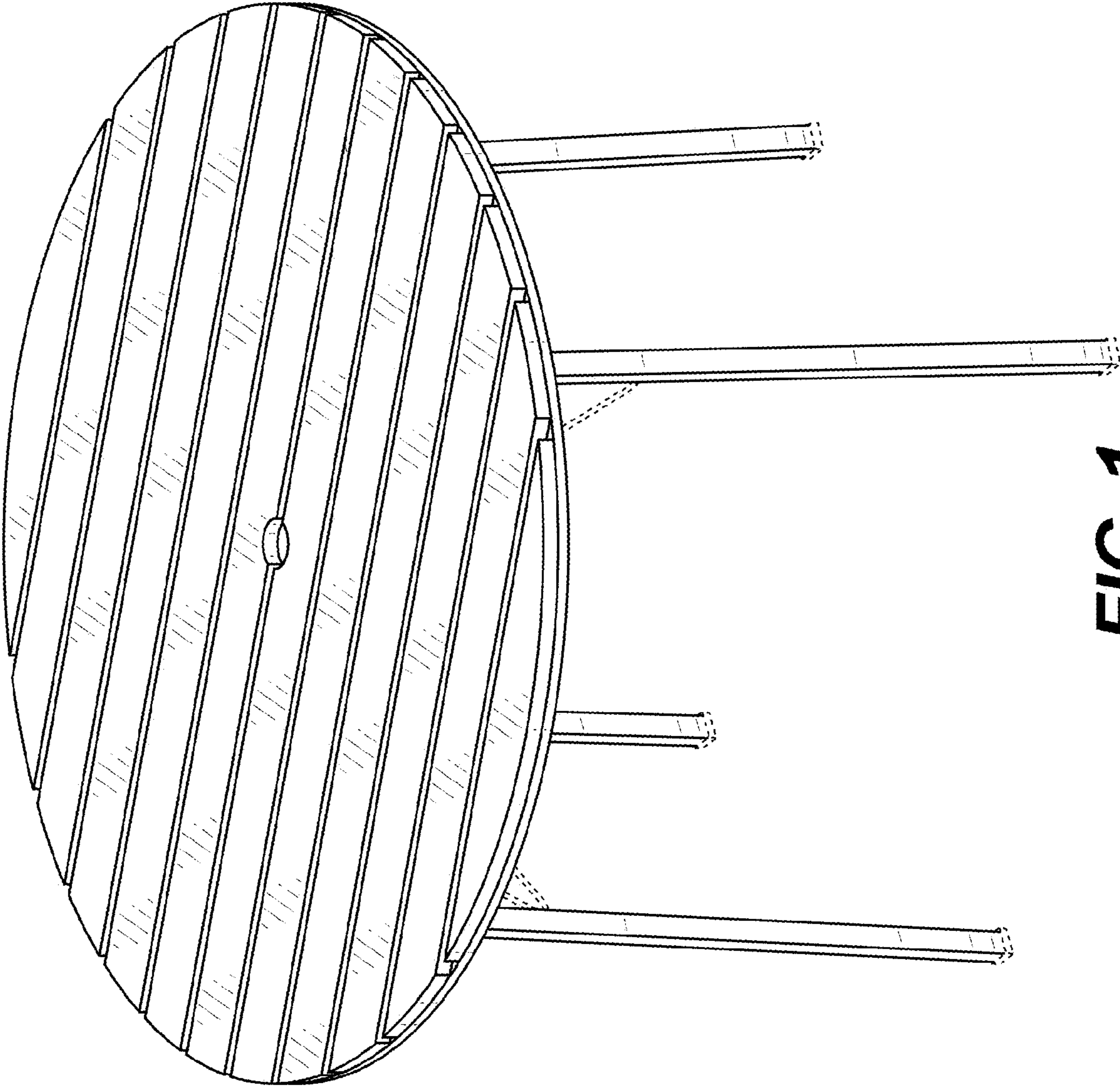
OTHER PUBLICATIONS

Djuro Dining Table Round by Skargaarden, first available: Dec. 28, 2015. Houzz.com [online], [site visited Apr. 28, 2022], Internet URL: <https://www.houzz.com/products/djuro-dining-table-round-skargaarden-prvw-vr~32334361> (Year: 2015).\*

Arizona 5 Piece Round Dining Set by Amazonia Store, first available: Unknown. Amazon.com [online], [site visited Apr. 28, 2022], Internet URL: [https://www.amazon.com/Amazonia-Arizona-5-Piece-Eucalyptus-Dining/dp/B0084YPPFRW/ref=sr\\_1\\_96](https://www.amazon.com/Amazonia-Arizona-5-Piece-Eucalyptus-Dining/dp/B0084YPPFRW/ref=sr_1_96) (Year: 2022).\*

Char-Log Slatted Round Bar Table by Leigh Country, first available: Unknown. Leighcountry.com [online], [site visited Apr. 28, 2022], Internet URL: <https://leighcountry.com/products/char-log-slatted-round-bar-table> (Year: 2022).\*

\* cited by examiner



**FIG. 1**



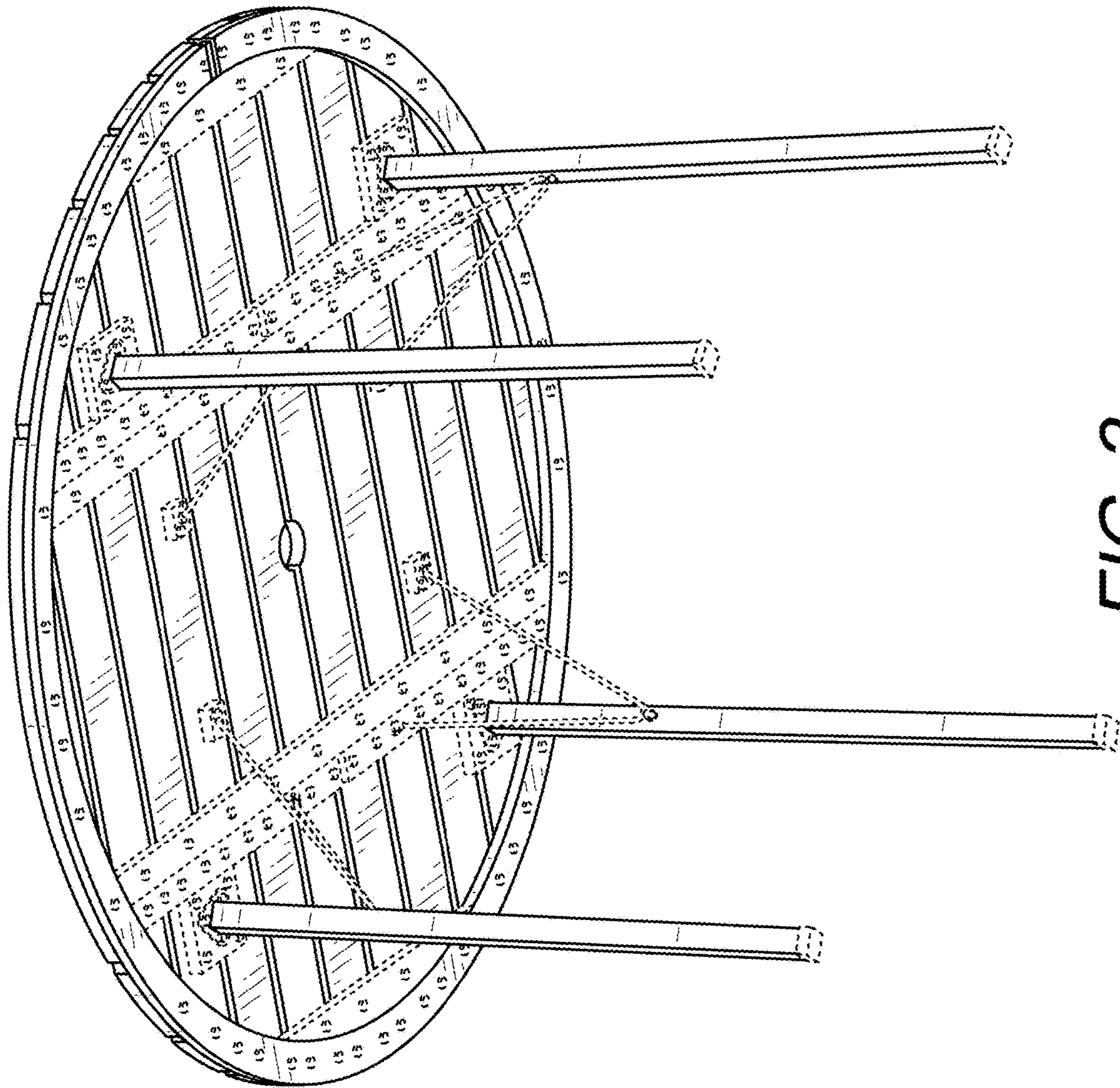
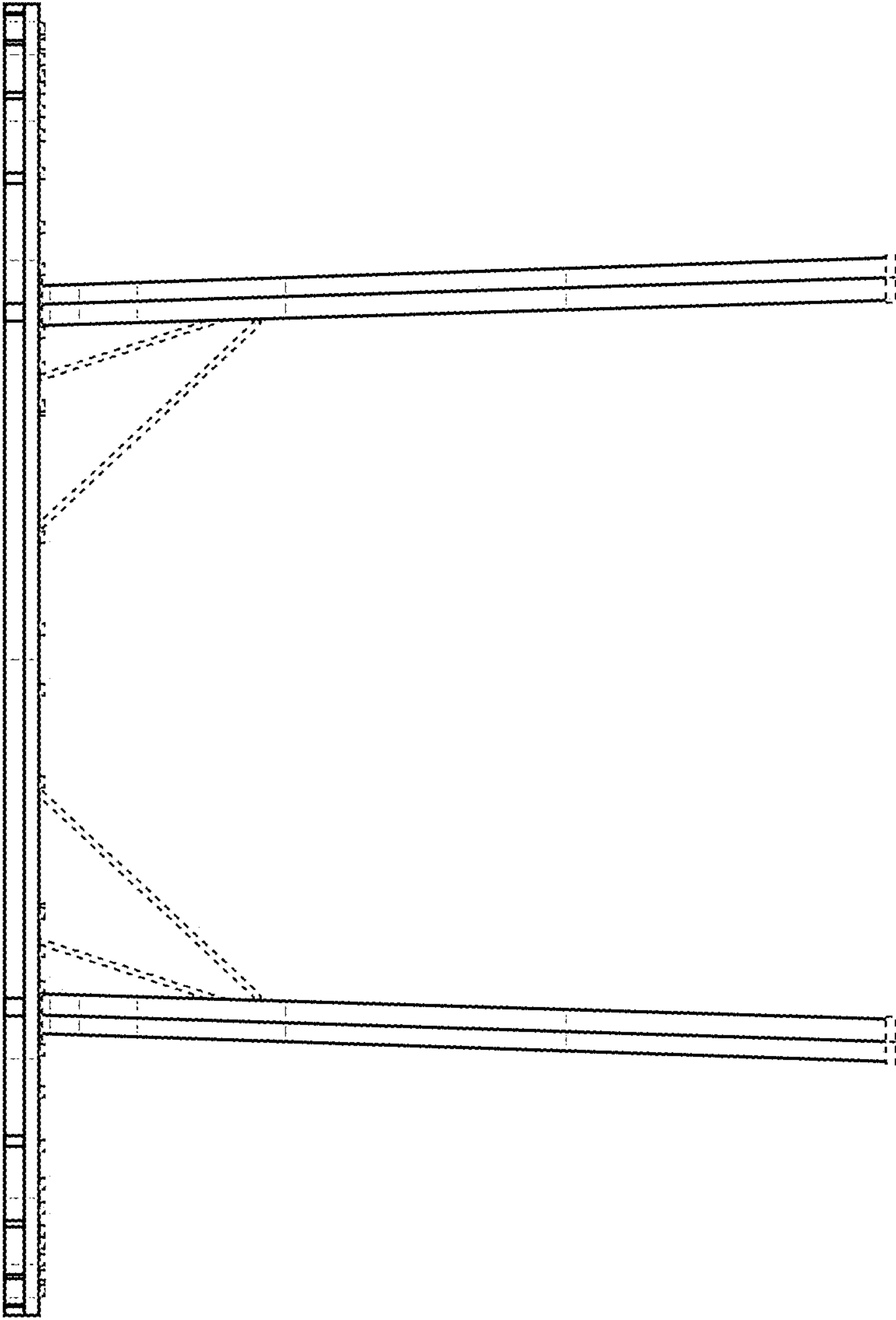
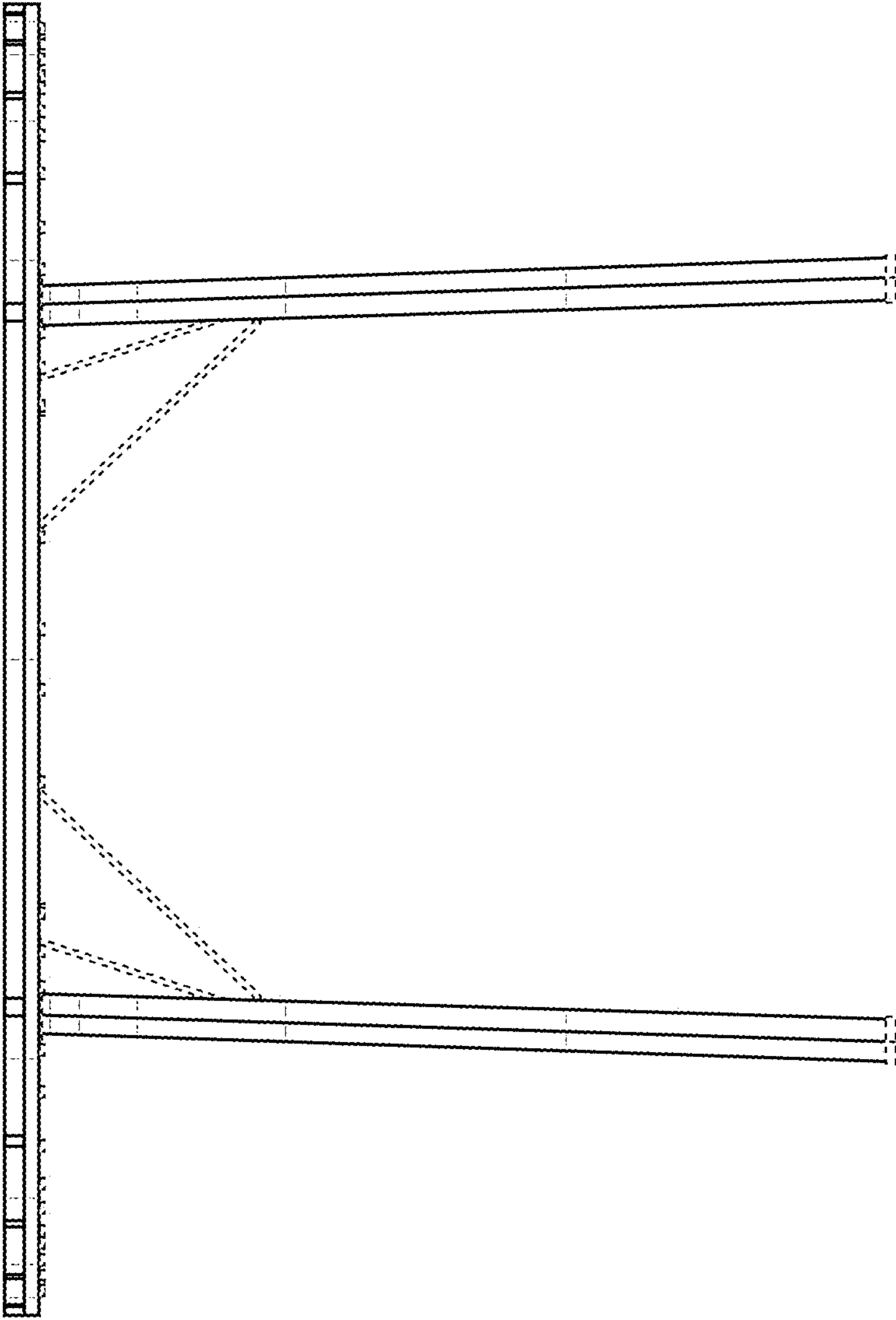


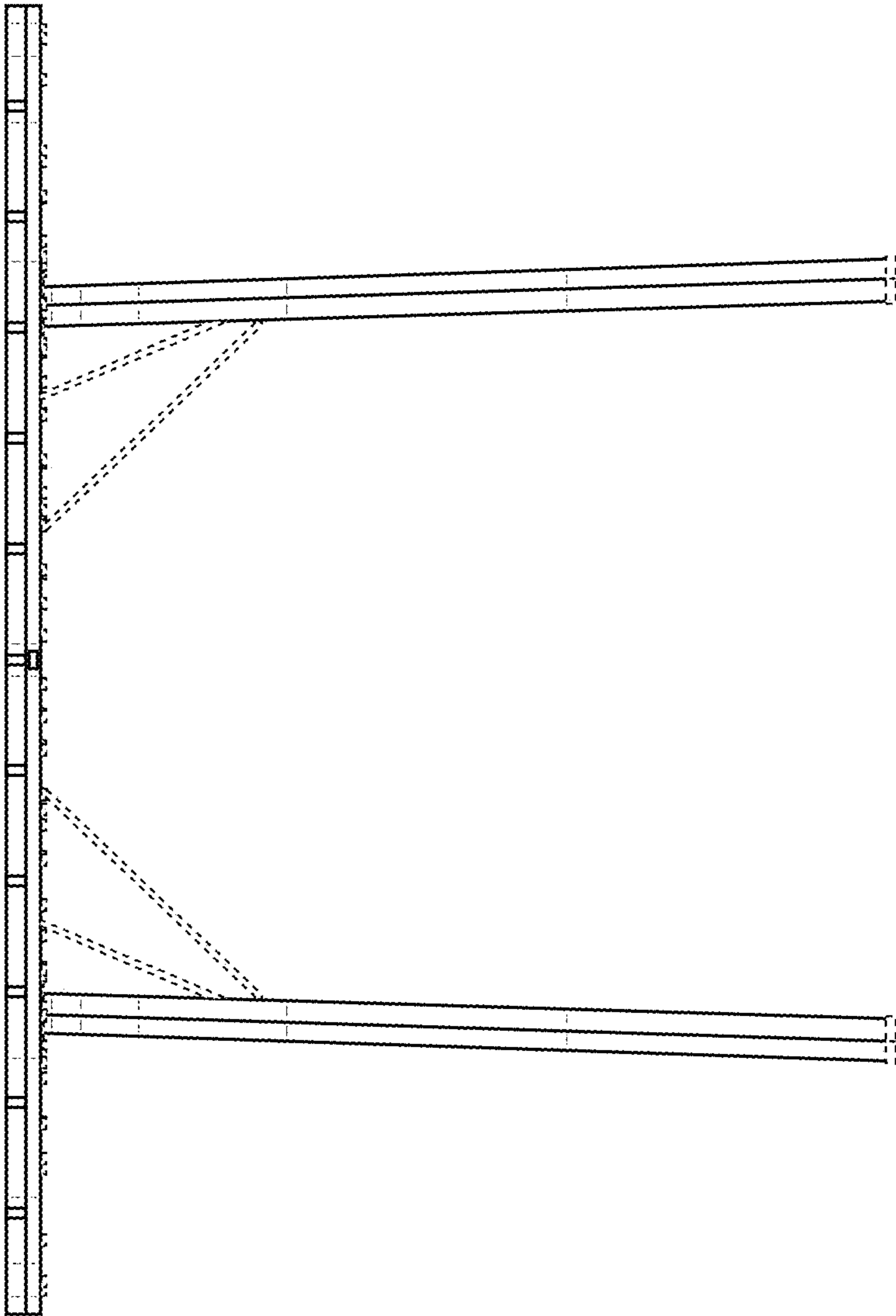
FIG. 2



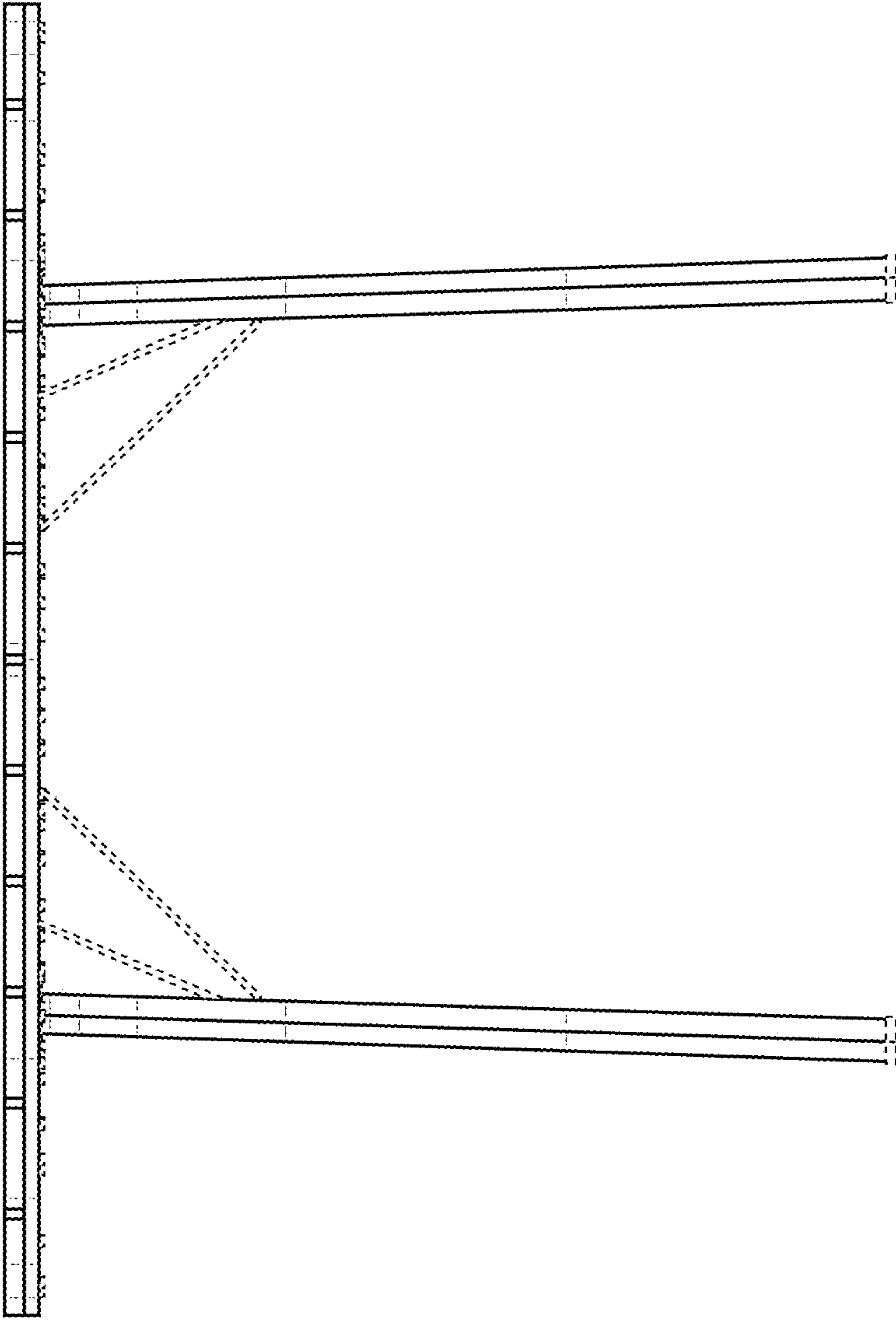
**FIG. 3**



**FIG. 4**

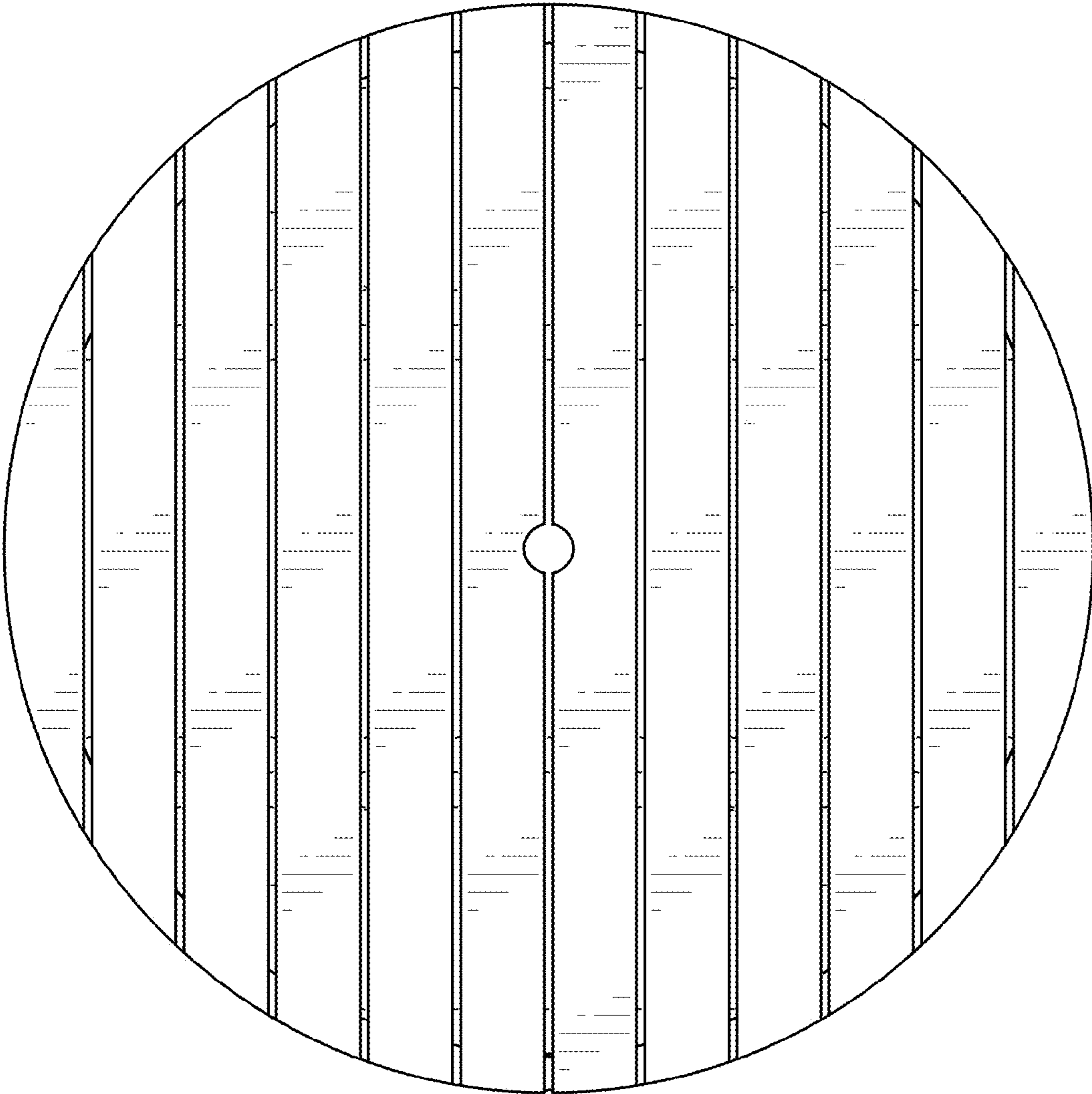


**FIG. 5**

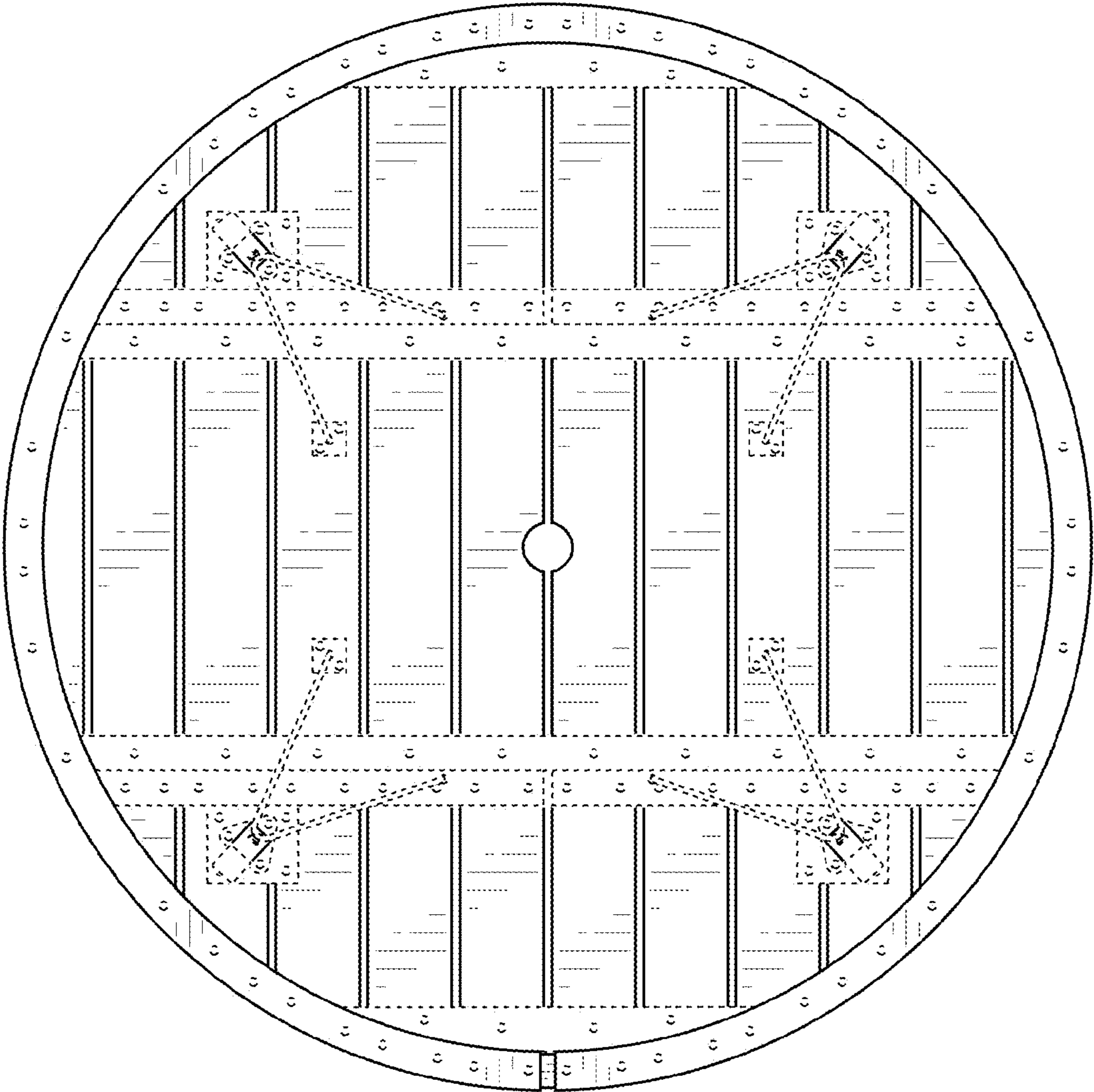


**FIG. 6**





**FIG. 7**



**FIG. 8**