



US00D966020S

(12) **United States Design Patent** (10) **Patent No.:** **US D966,020 S**  
**De Loynes** (45) **Date of Patent:** **\*\* Oct. 11, 2022**

- (54) **SIDE TABLE**
- (71) Applicant: **Umbra LLC**, Buffalo, NY (US)
- (72) Inventor: **Eugenie De Loynes**, Toronto (CA)
- (73) Assignee: **Umbra, LLC**, Buffalo, NY (US)
- (\*\*) Term: **15 Years**
- (21) Appl. No.: **29/755,085**
- (22) Filed: **Oct. 16, 2020**
- (51) **LOC (13) Cl.** ..... **06-03**
- (52) **U.S. Cl.**  
USPC ..... **D6/687**
- (58) **Field of Classification Search**  
USPC ..... D6/675, 687.14, 675.3, 685-687, 690,  
D6/991, 691.1-692.6  
CPC .... A47B 7/00; A47B 7/02; A47B 9/00; A47B  
13/00; A47B 13/02; A47B 13/04; A47B  
13/06; A47B 13/08; A47B 13/10; A47B  
13/12; A47B 17/00; A47B 21/00; A47B  
2200/0001; A47B 2200/0011; A47B  
2200/0016; A47B 2200/002

See application file for complete search history.

(56) **References Cited**

**U.S. PATENT DOCUMENTS**

D274,577 S *	7/1984	Berry, Jr.	.....	D6/691.4
D405,988 S *	2/1999	Wohlford	.....	D6/675.3
D560,398 S *	1/2008	Lee	.....	D6/675.1
D612,174 S *	3/2010	Dingjian	.....	D6/687
D691,840 S *	10/2013	Copeland	.....	D6/656.15
D736,393 S *	8/2015	Cox	.....	D24/185
D927,904 S *	8/2021	Pedersen	.....	D6/691.3

**OTHER PUBLICATIONS**

Umbra Swivo Side Table—Amazon <https://www.amazon.com/Umbra-Bedside-Swiveling-Magazines-Blankets/dp/B083JVTLMM?th=1> retrieved from eh internet on Aug. 7, 2022.\*

Glendale 2-tier Black Granite Drink End Table—Overstock [https://www.overstock.com/Home-Garden/Coffee-Sofa-End-Tables/2030/subcat.html?featuredproduct=33566304&featuredooption=62808812&ci\\_sku=37984323-000-000&cnc=US&cid=318794&track=pspla&network=x&matchtype=&keyword=&targetid=&gclid=EAIaIQobChMIgNC016q1--QIVDbblCh15\\_ABaEAQYAyABEgJ7KfD\\_BwE](https://www.overstock.com/Home-Garden/Coffee-Sofa-End-Tables/2030/subcat.html?featuredproduct=33566304&featuredooption=62808812&ci_sku=37984323-000-000&cnc=US&cid=318794&track=pspla&network=x&matchtype=&keyword=&targetid=&gclid=EAIaIQobChMIgNC016q1--QIVDbblCh15_ABaEAQYAyABEgJ7KfD_BwE) retrieved from eh internet on Aug. 7, 2022.\*

\* cited by examiner

*Primary Examiner* — Mary Ann Calabrese

(74) *Attorney, Agent, or Firm* — Simpson & Simpson, PLLC

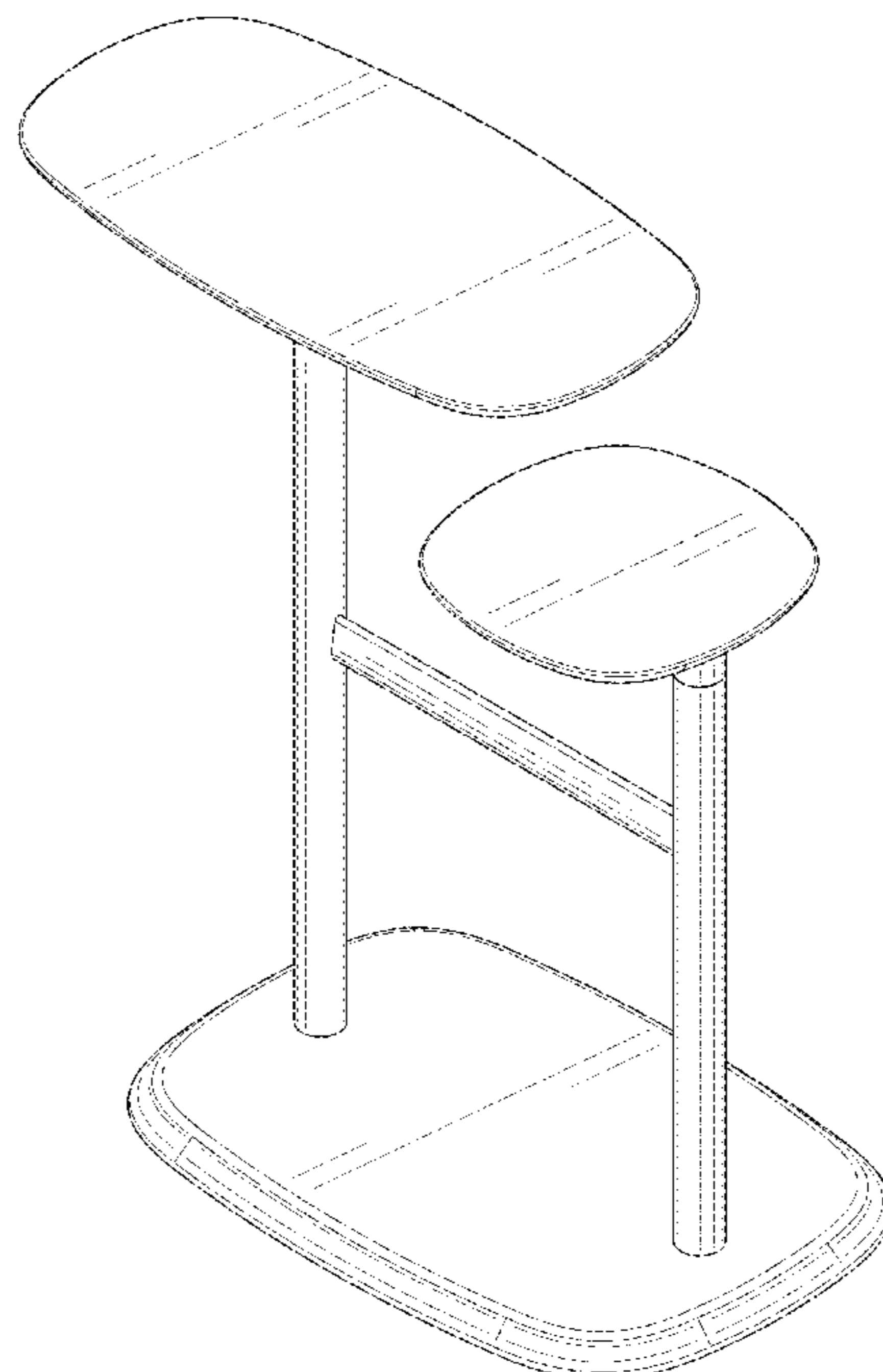
(57) **CLAIM**

The ornamental design for a side table, as shown and described.

**DESCRIPTION**

FIG. 1 is a front perspective view of the side table of the present invention;  
 FIG. 2 is a front elevational view of the side table shown in FIG. 1;  
 FIG. 3 is a rear elevational view of the side table shown in FIG. 1;  
 FIG. 4 is a left side elevational view of the side table shown in FIG. 1;  
 FIG. 5 is a right side elevational view of the side table shown in FIG. 1;  
 FIG. 6 is a top plan view of the side table shown in FIG. 1; and,  
 FIG. 7 is a bottom plan view of the side table shown in FIG. 1.

**1 Claim, 7 Drawing Sheets**



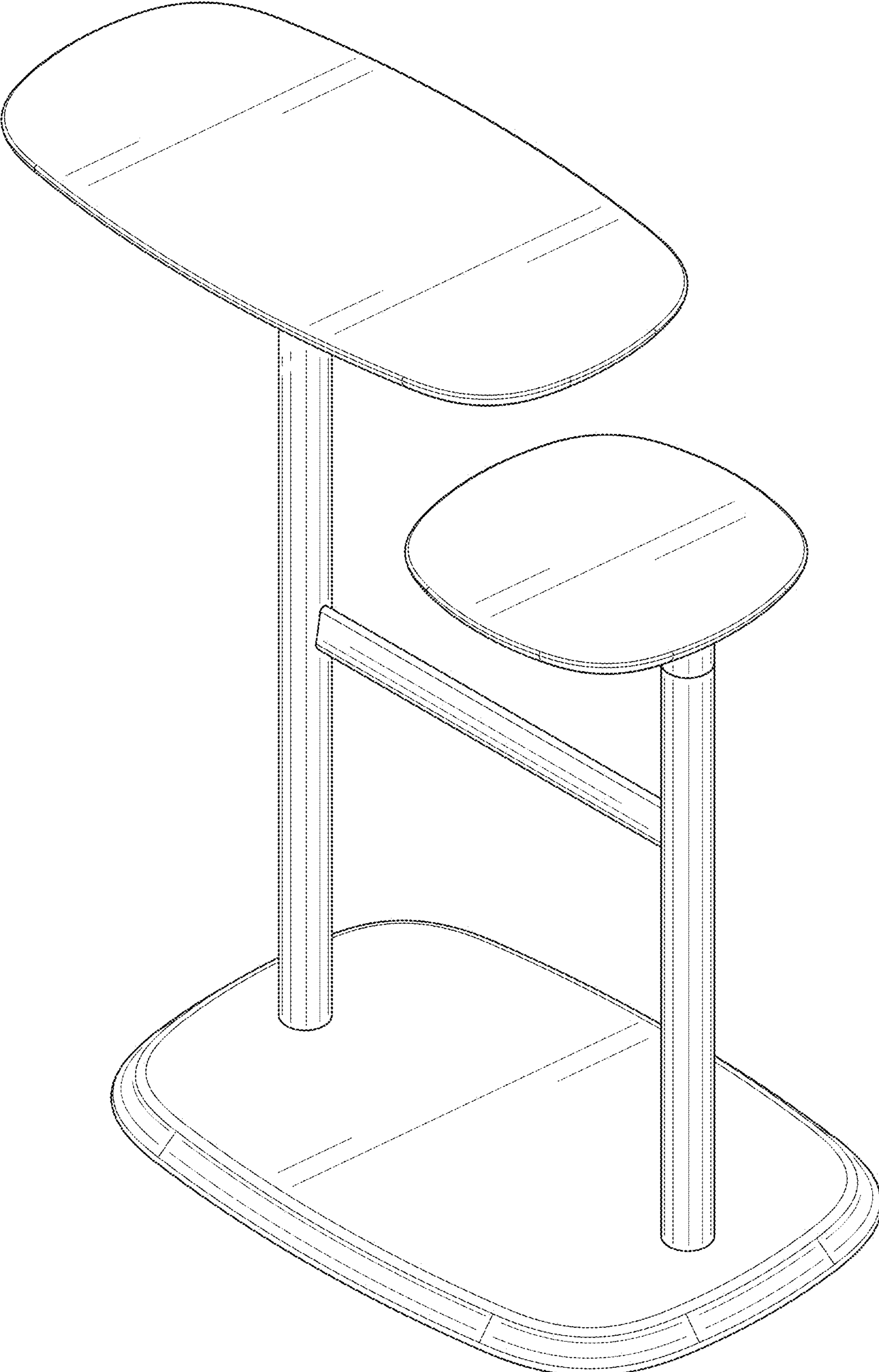


FIG. 1

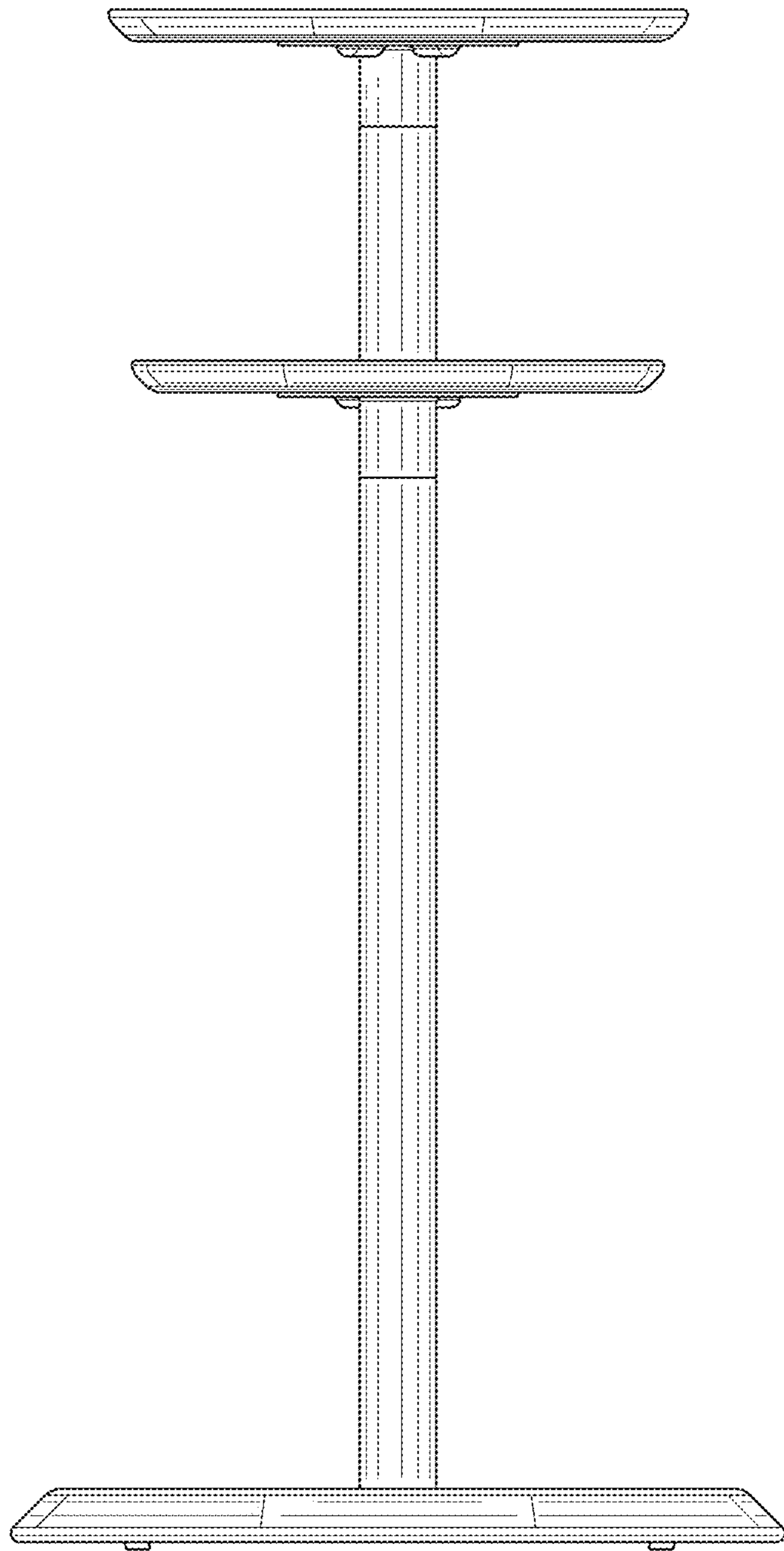


FIG. 2

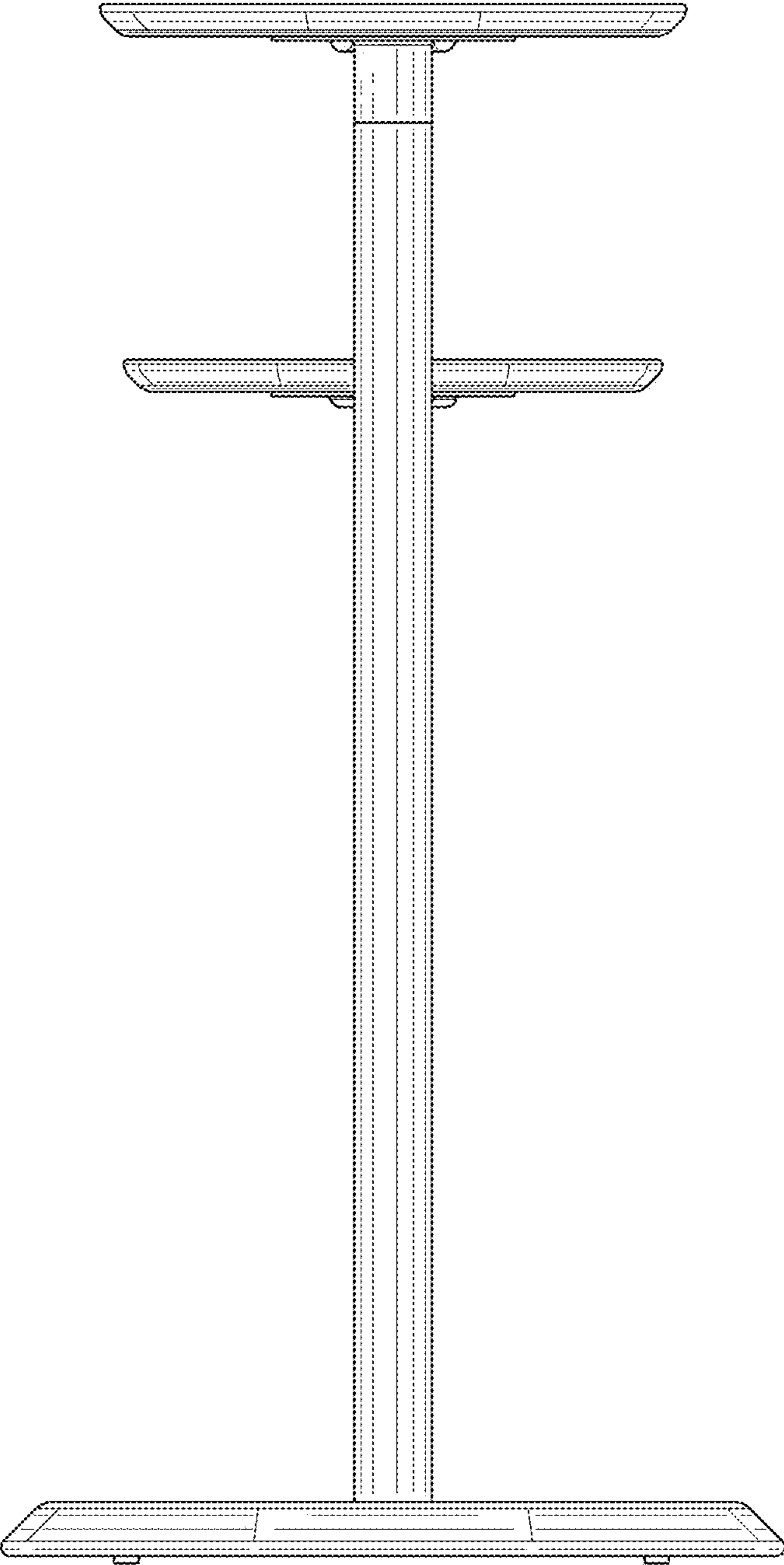


FIG. 3

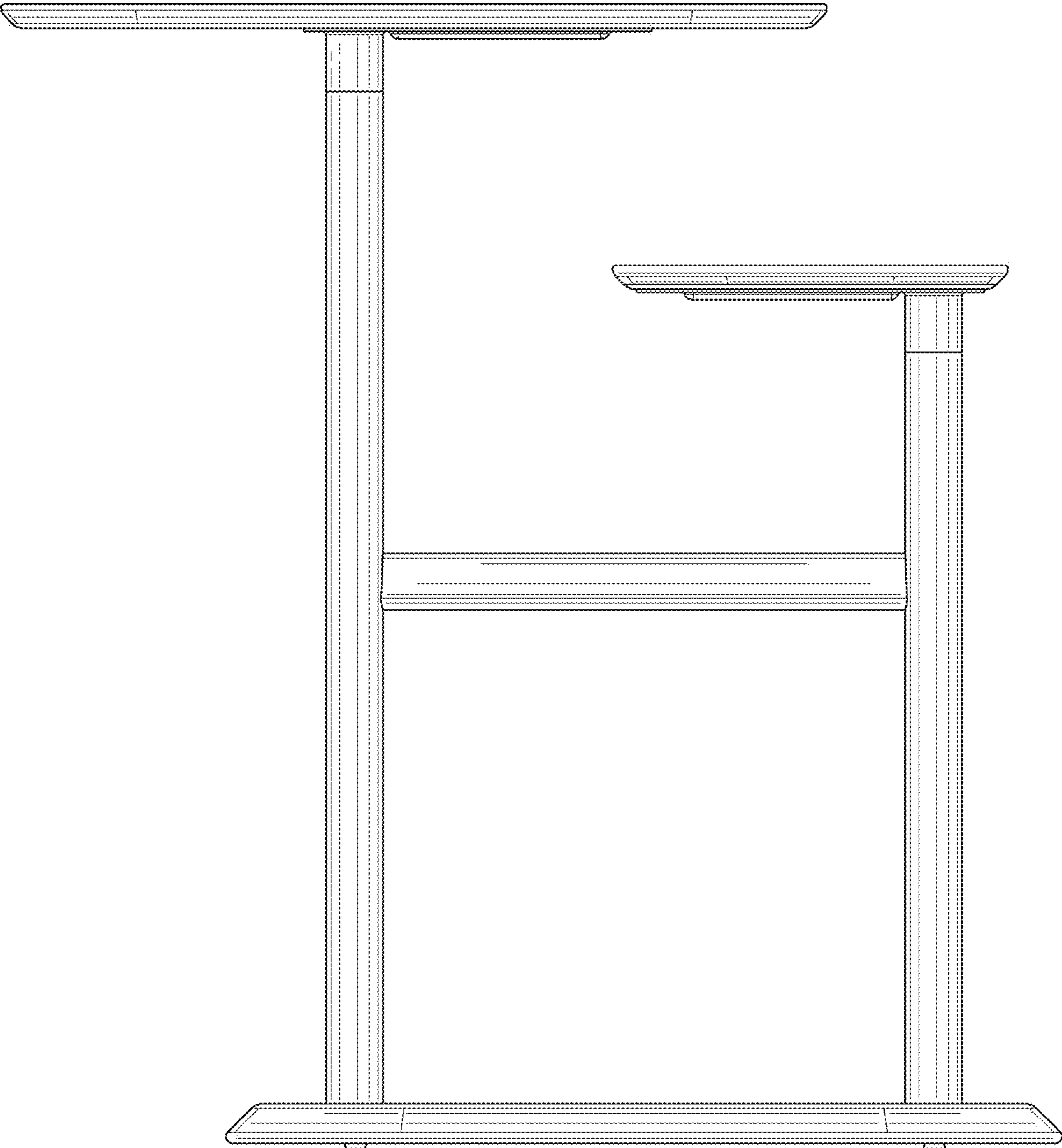


FIG. 4

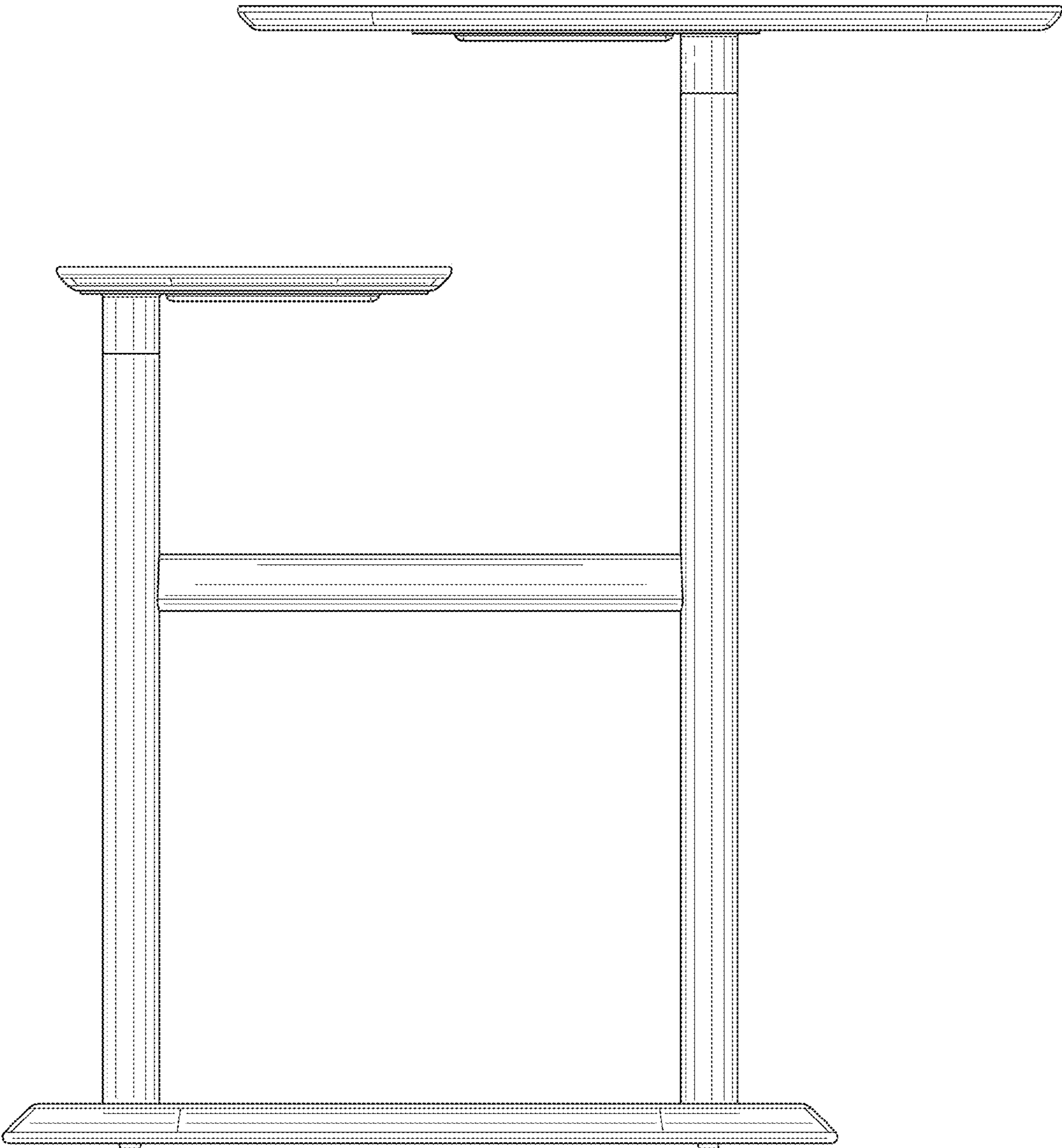


FIG. 5

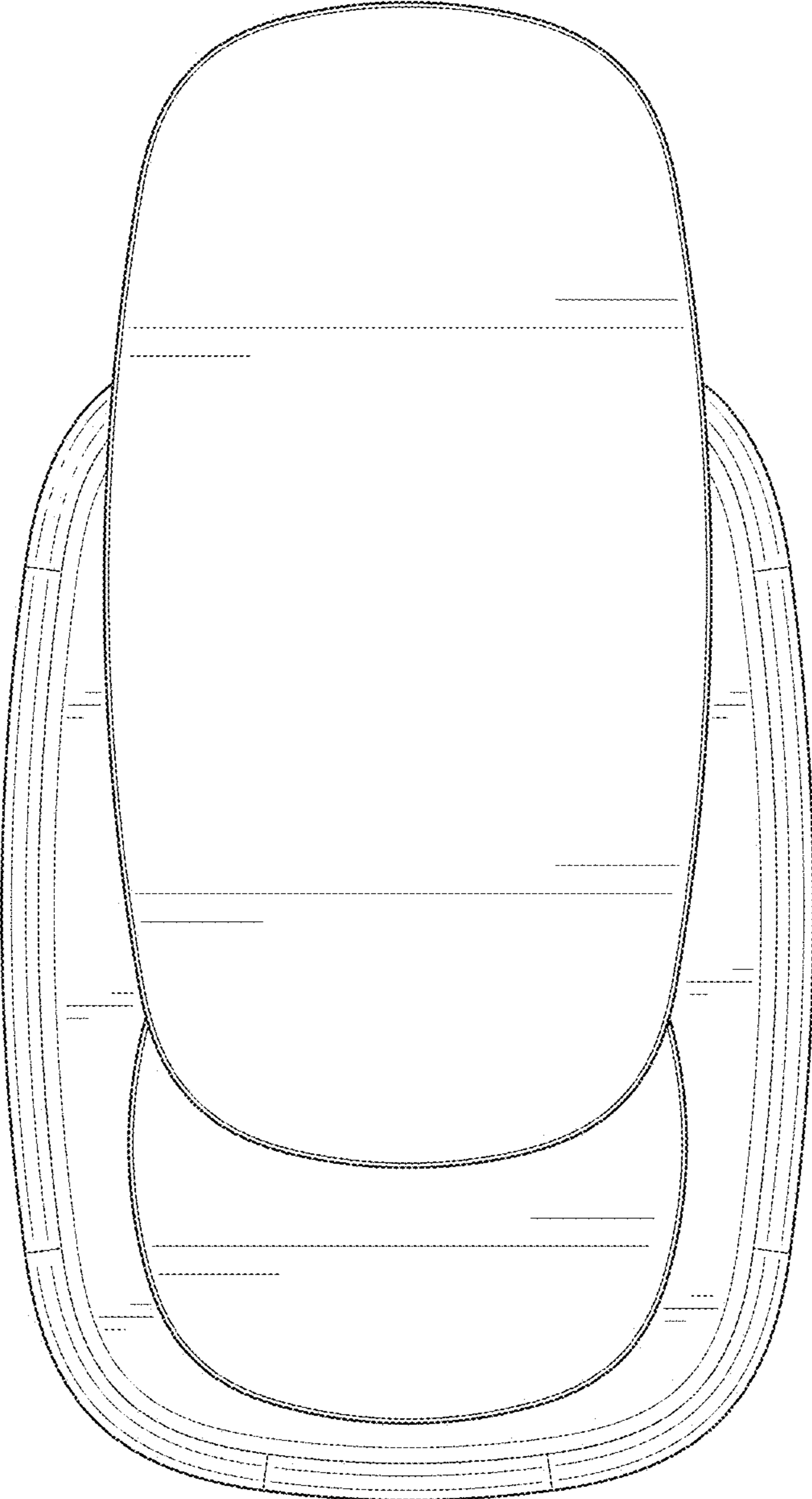


FIG. 6

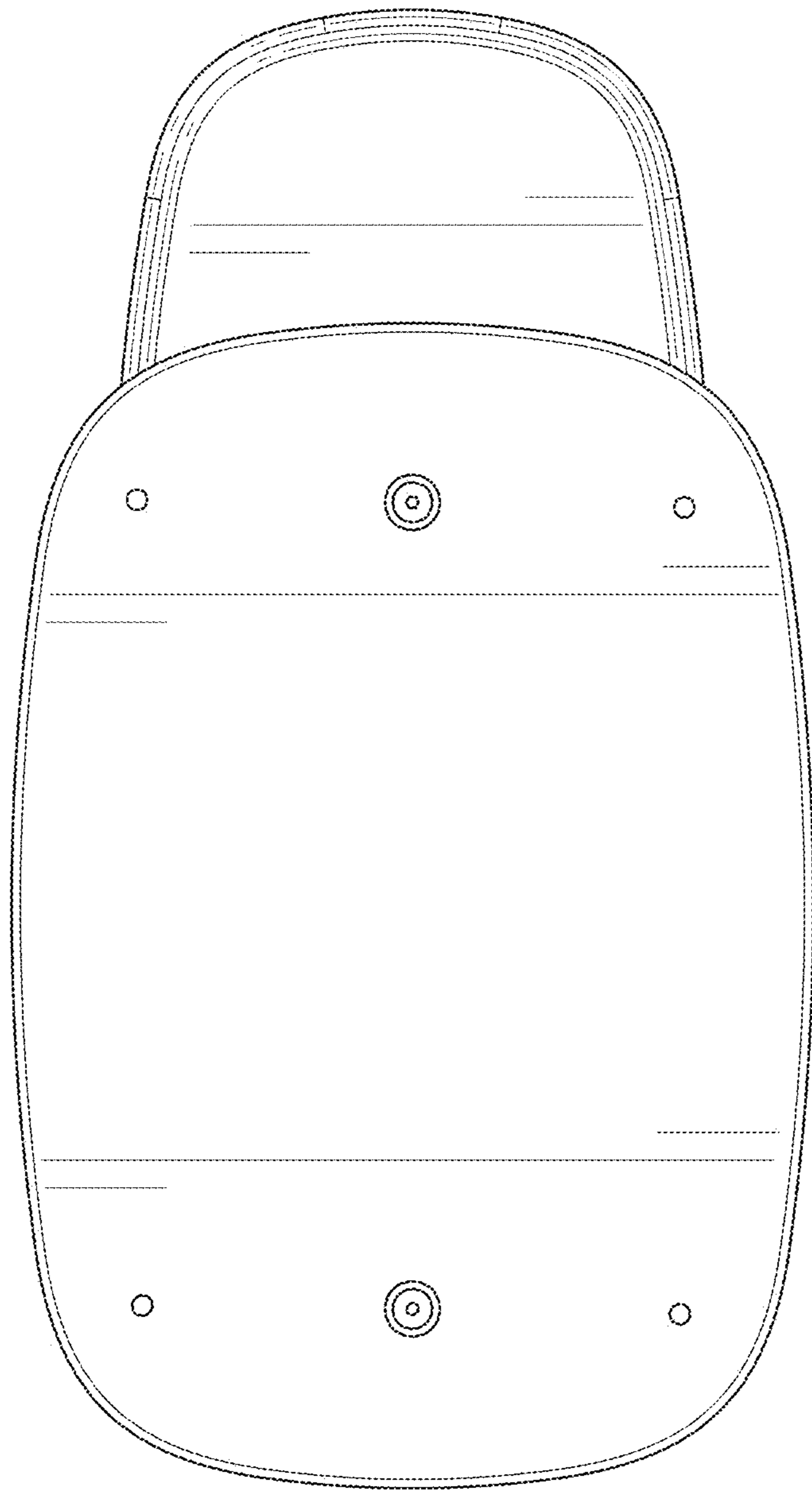


FIG. 7