

US00D966018S

(12) **United States Design Patent**
Huang

(10) **Patent No.:** **US D966,018 S**
(45) **Date of Patent:** **** Oct. 11, 2022**

(54) **TOWEL RACK**
(71) Applicant: **FUJIAN PUTIAN YUDA HOME FURNISHING CO., LTD**, Putian (CN)
(72) Inventor: **Guoyu Huang**, Putian (CN)
(**) Term: **15 Years**
(21) Appl. No.: **29/822,443**
(22) Filed: **Jan. 10, 2022**
(51) **LOC (13) Cl.** **06-04**
(52) **U.S. Cl.**
USPC **D6/681.2**
(58) **Field of Classification Search**
USPC D6/672, 673, 675, 675.1-675.5, 681, D6/681.1, 681.2, 681.3
CPC A47B 43/00; A47B 45/00; A47B 46/00; A47B 47/00; A47B 47/02; A47B 47/021; A47B 61/00; A47B 61/02; A47F 5/00; A47F 5/0031; A47F 5/01; A47F 5/0807; A47F 5/13; A47F 7/19; A47F 7/24; A47G 25/06
See application file for complete search history.

D352,190 S * 11/1994 Tucker D6/682.2
D367,375 S * 2/1996 Vukelich, Sr. D6/675.2
5,617,962 A * 4/1997 Chen A47G 25/0664
211/206
5,718,344 A * 2/1998 Joldeson A47F 5/13
211/206
D400,375 S * 11/1998 Peng-Hui D6/675.1
D419,335 S * 1/2000 Kopala, Jr. D6/672
D450,947 S * 11/2001 Walker
D450,948 S * 11/2001 Stafford D6/681.1
D456,167 S * 4/2002 Harwanko D6/548
6,401,948 B1 * 6/2002 Huang A47F 7/24
211/206
D462,539 S * 9/2002 Segall D6/681.1
D466,331 S * 12/2002 Chang D6/681.1
D470,332 S * 2/2003 Clucas
D470,685 S * 2/2003 Chang D6/681.1
D474,350 S * 5/2003 Sardis D6/681.1
D475,551 S * 6/2003 Kelso D6/675.5
D476,167 S * 6/2003 Klein D6/681.1
6,644,484 B1 * 11/2003 Sardis A47F 5/137
211/189

(Continued)

Primary Examiner — Steven J Czyz
(74) *Attorney, Agent, or Firm* — Rumit Ranjit Kanakia

(57) **CLAIM**

The ornamental design for a towel rack, as shown and described.

DESCRIPTION

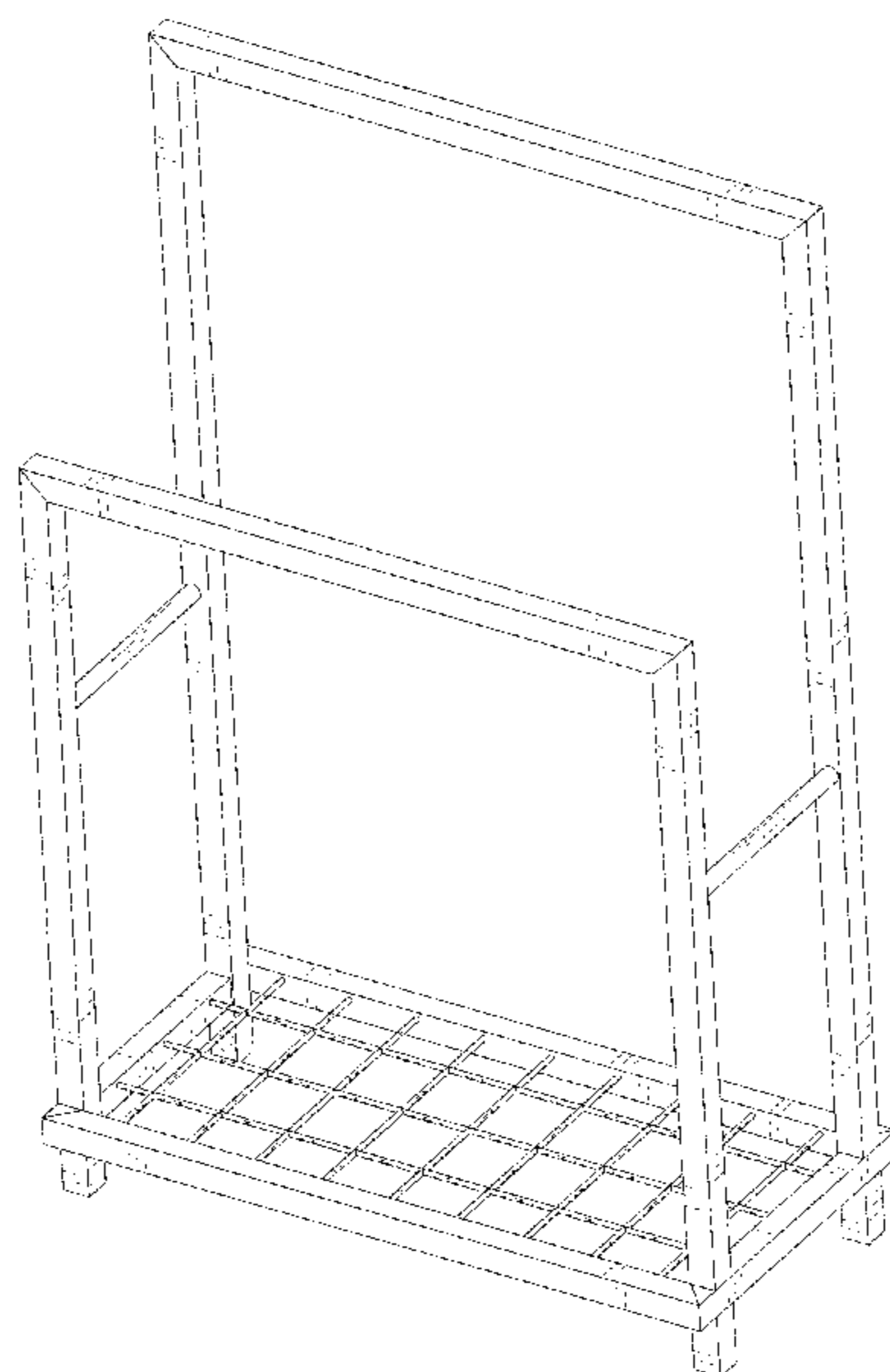
FIG. 1 is a perspective view of a towel rack showing my new design;
FIG. 2 is another perspective view thereof;
FIG. 3 is a front view thereof;
FIG. 4 is a rear view thereof;
FIG. 5 is a left side view thereof;
FIG. 6 is a right side view thereof;
FIG. 7 is a top view thereof; and,
FIG. 8 is a bottom view thereof.

1 Claim, 6 Drawing Sheets

(56) **References Cited**

U.S. PATENT DOCUMENTS

D131,907 S * 4/1942 Sarvis et al. D6/681
3,499,541 A * 3/1970 Mackie A47F 7/08
211/206
3,503,525 A * 3/1970 Loebner A47F 7/24
211/195
3,620,377 A * 11/1971 Holtz A47F 5/13
211/206
3,705,731 A * 12/1972 Berchak B62B 3/02
280/43
D237,231 S * 10/1975 Wells et al. D6/672
4,054,209 A * 10/1977 Solomon A47F 7/24
211/208
D288,755 S * 3/1987 Schoenig D6/681.1



(56)

References Cited

U.S. PATENT DOCUMENTS

D487,124 S * 2/2004 Toniolo D21/691
 D491,742 S * 6/2004 Harwanko D6/681.1
 D495,523 S * 9/2004 Harwanko D6/681.1
 D495,524 S * 9/2004 Harwanko D6/681.1
 D515,844 S * 2/2006 Pryor D6/681
 D516,850 S 3/2006 Shieh
 7,077,277 B2 * 7/2006 Wang A47G 25/0664
 403/65
 D532,623 S * 11/2006 Tsai D6/675.5
 D537,266 S * 2/2007 Ward D6/681.1
 D546,013 S * 7/2007 Pong D32/58
 D591,533 S * 5/2009 Karsson D6/675.3
 D603,188 S * 11/2009 Wang D6/675.5
 D613,965 S * 4/2010 Tertel D6/675.5
 D617,576 S * 6/2010 Lin D6/681.1
 D631,682 S * 2/2011 Western D6/548
 7,946,434 B1 * 5/2011 Greenspon A47F 7/24
 211/195
 D677,932 S * 3/2013 Wang D6/681.1
 8,936,166 B2 * 1/2015 Hornsby A47G 25/0685
 211/195
 D736,548 S * 8/2015 Hornsby D6/681.1
 D749,879 S * 2/2016 Wall D6/680.3
 D750,401 S * 3/2016 Ruiz D6/681
 D753,940 S * 4/2016 Ruiz D6/681
 9,364,104 B1 * 6/2016 Wood A47G 25/06
 D777,483 S * 1/2017 Bittie D6/681
 D805,329 S * 12/2017 Rockwell A47G 25/0664
 D6/675.3
 D808,203 S * 1/2018 Davis F16B 7/042
 D6/675.3
 D809,835 S * 2/2018 Greenspon D6/681
 D819,374 S * 6/2018 Kuehn D6/681.2
 D825,959 S * 8/2018 Rockwell A47G 25/0685
 D6/675.3
 D827,342 S * 9/2018 Stukenberg D6/681
 D829,473 S * 10/2018 Mical D6/681
 10,264,878 B1 * 4/2019 Liu A47G 25/0664
 D851,429 S * 6/2019 Greenspon D6/675.4

D853,762 S * 7/2019 Tucker A47F 7/24
 D6/672
 D860,689 S * 9/2019 Davis D6/672
 D864,625 S * 10/2019 Rockwell A47F 7/08
 D6/675
 D874,191 S * 2/2020 Qi D6/664
 D885,806 S * 6/2020 Rockwell D6/675
 D887,188 S * 6/2020 Felsenthal D6/681.2
 D889,171 S * 7/2020 Cao D6/681.2
 D895,331 S * 9/2020 Felsenthal D6/678.4
 D901,952 S * 11/2020 Tuang D6/681
 D909,104 S * 2/2021 Lai D6/681.2
 D910,351 S * 2/2021 Davis D6/681.2
 D911,085 S * 2/2021 Song D6/681.2
 D917,212 S * 4/2021 Du D6/681.2
 D923,274 S * 6/2021 Cui D32/58
 D923,370 S * 6/2021 Davis A47F 7/24
 D6/675.3
 D936,402 S * 11/2021 Huang D6/681
 D941,619 S * 1/2022 Davis D6/675.3
 D946,327 S * 3/2022 Felsenthal D6/681.2
 D947,583 S * 4/2022 Li D6/681.2
 D955,145 S * 6/2022 Huang D6/681
 D956,458 S * 7/2022 Wang D6/675.5
 2006/0011674 A1 * 1/2006 Finch A47F 7/24
 223/120
 2006/0065615 A1 * 3/2006 Wang A47F 7/24
 211/206
 2010/0294900 A1 * 11/2010 Maurer A45F 3/44
 248/419
 2011/0114581 A1 * 5/2011 Greenspon A47G 25/0685
 211/85.3
 2012/0074082 A1 * 3/2012 Hornsby A47G 25/0685
 211/85.3
 2015/0008201 A1 * 1/2015 Qiang D06F 57/06
 211/199
 2016/0015190 A1 * 1/2016 White B62B 11/00
 211/175
 2018/0160801 A1 * 6/2018 Felsenthal F16B 7/042
 2019/0223628 A1 * 7/2019 Hicks A47B 47/0058
 2020/0288863 A1 * 9/2020 Felsenthal A47B 61/003
 2020/0401988 A1 * 12/2020 Brown G06K 7/1413

* cited by examiner

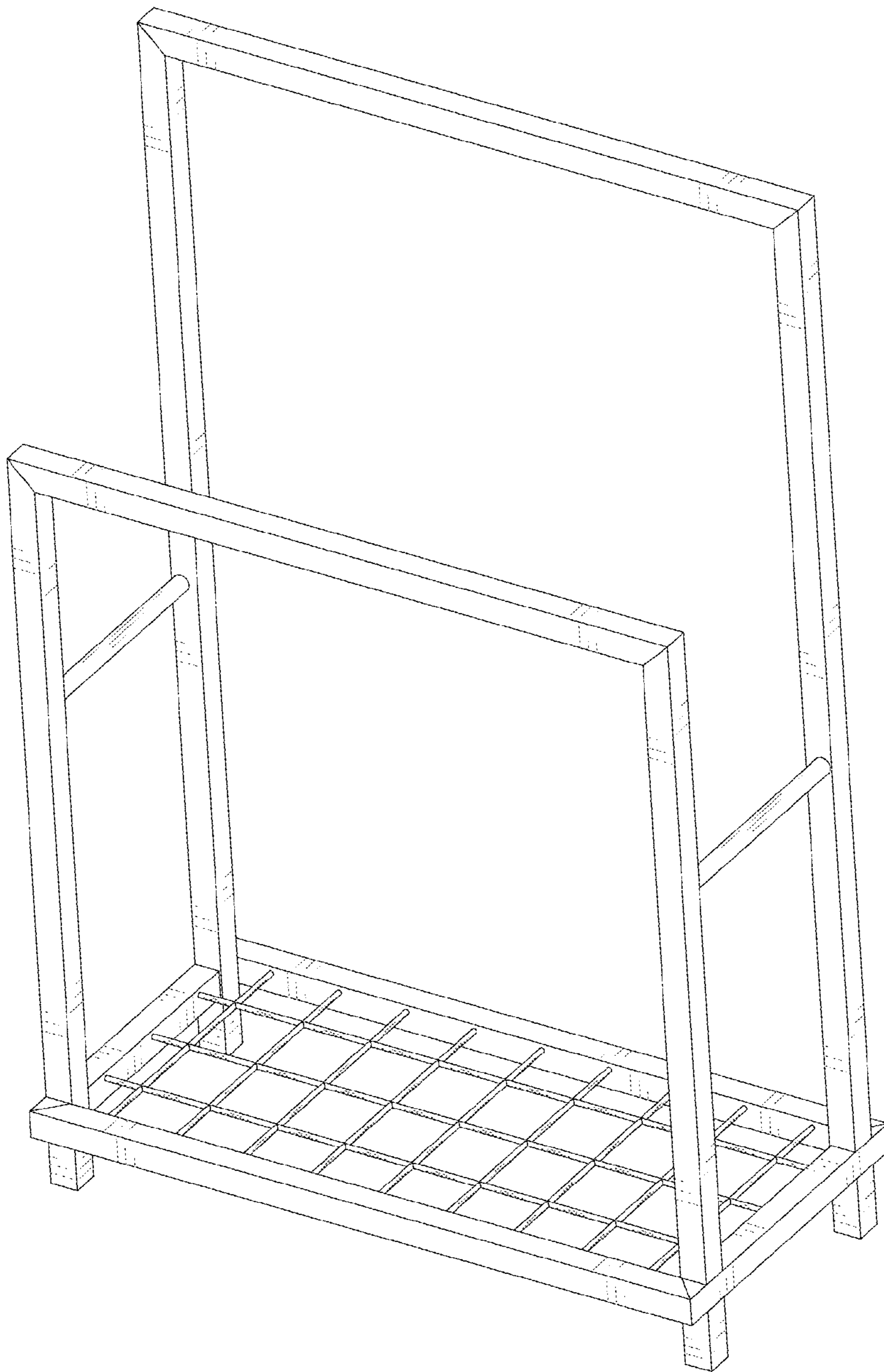


FIG. 1

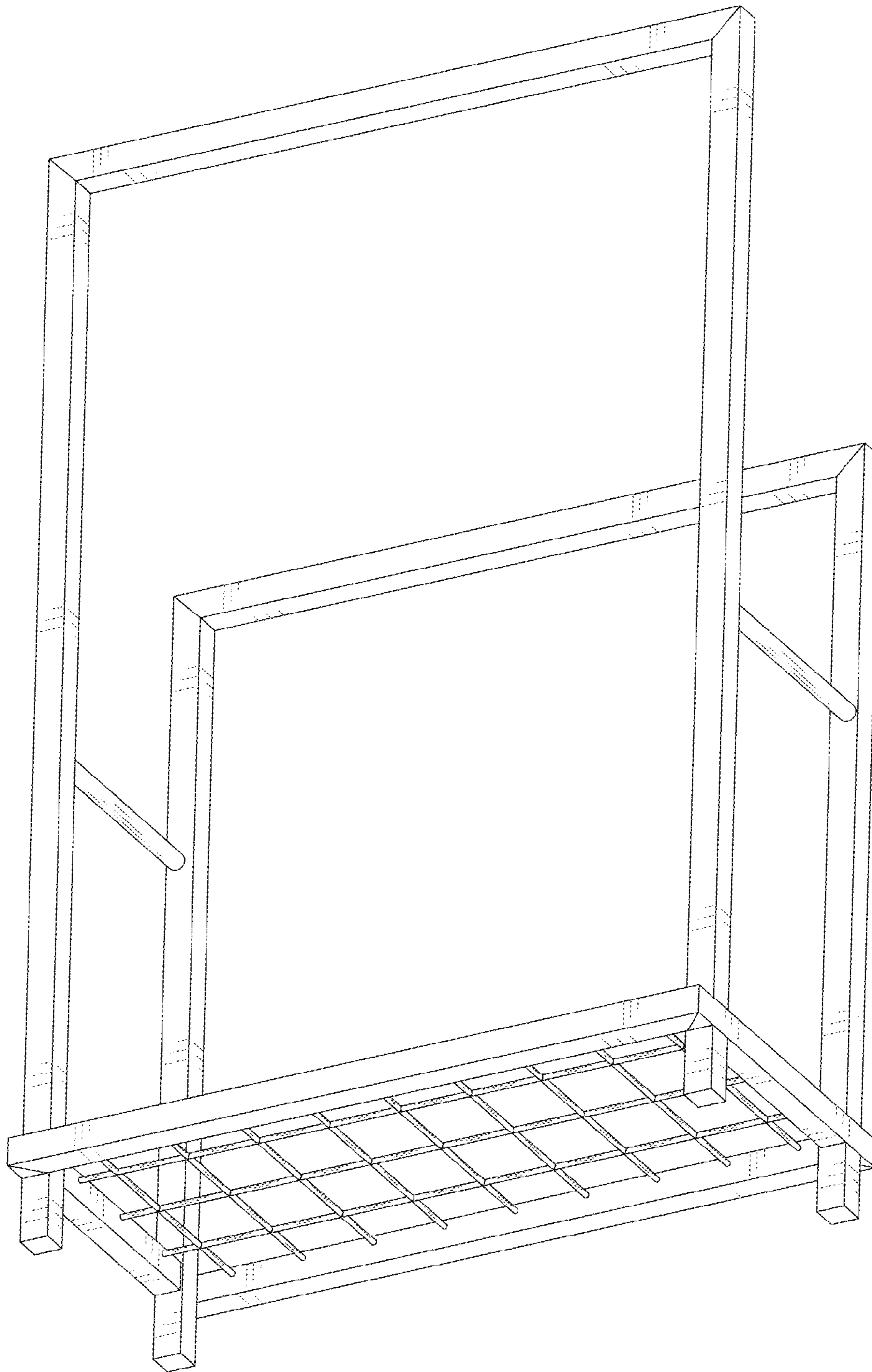


FIG. 2

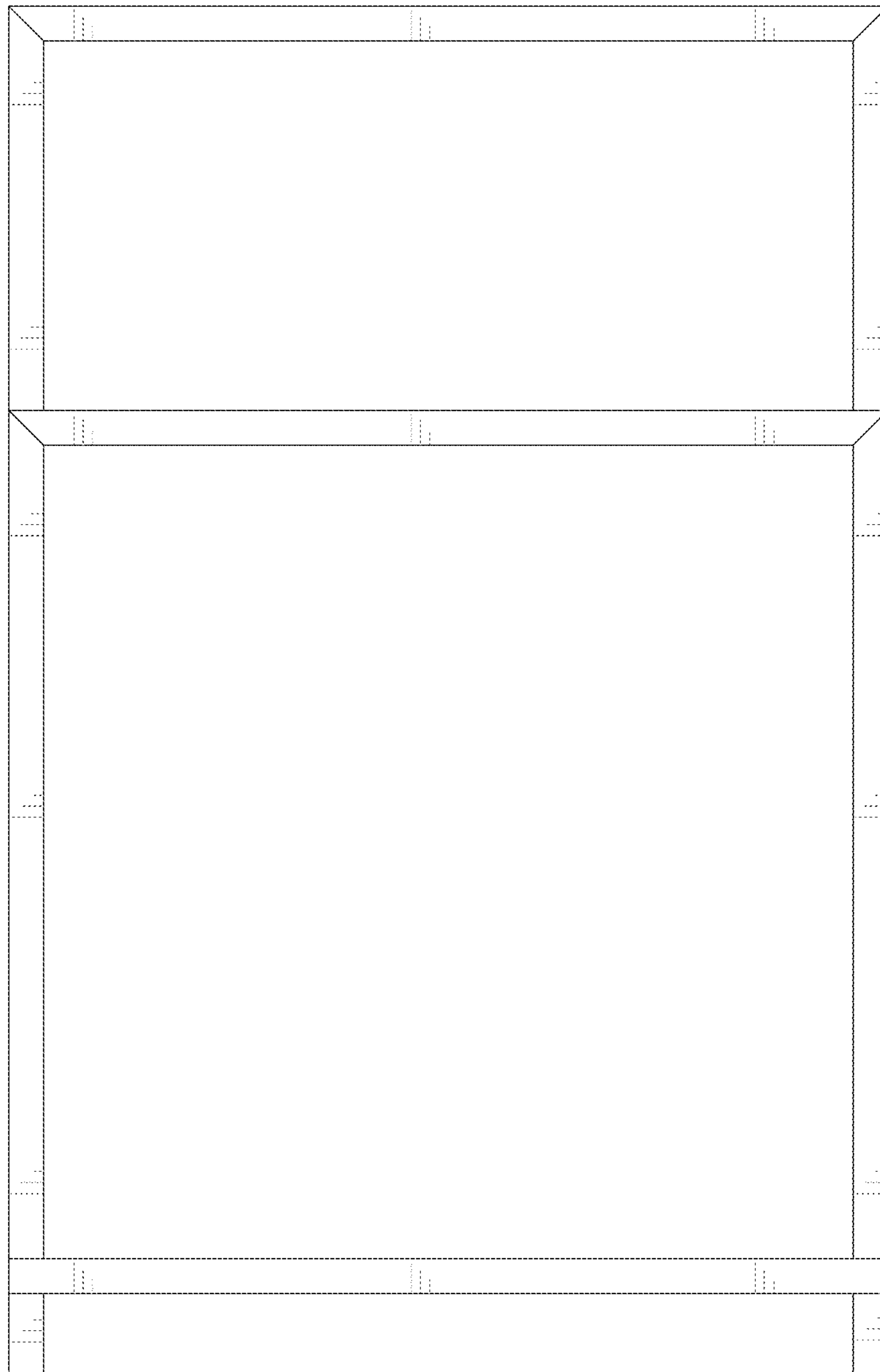


FIG. 3

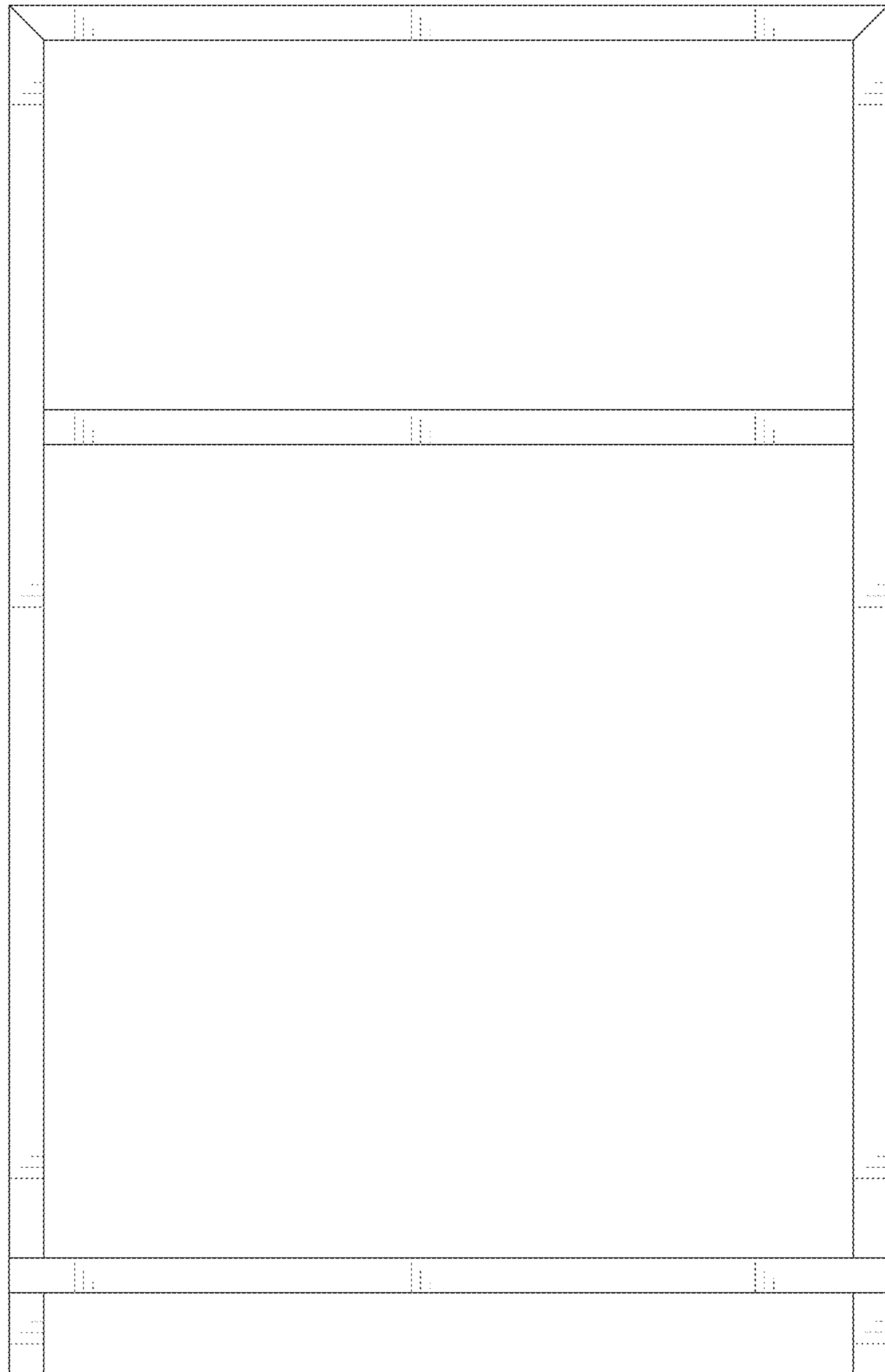


FIG. 4

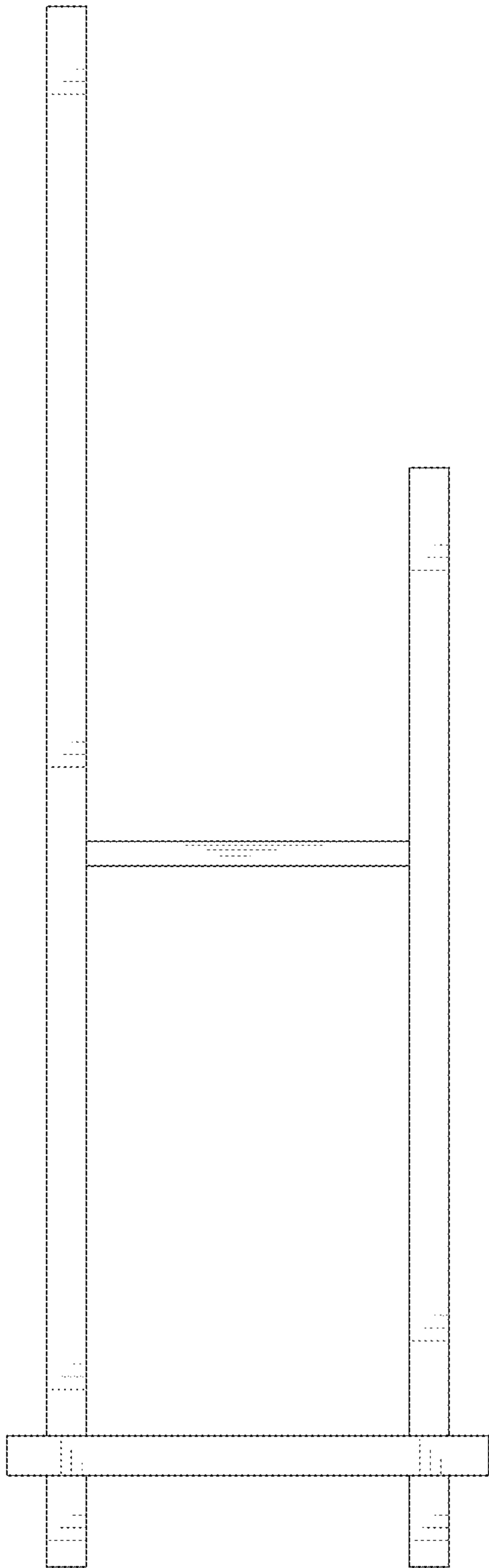


FIG. 5

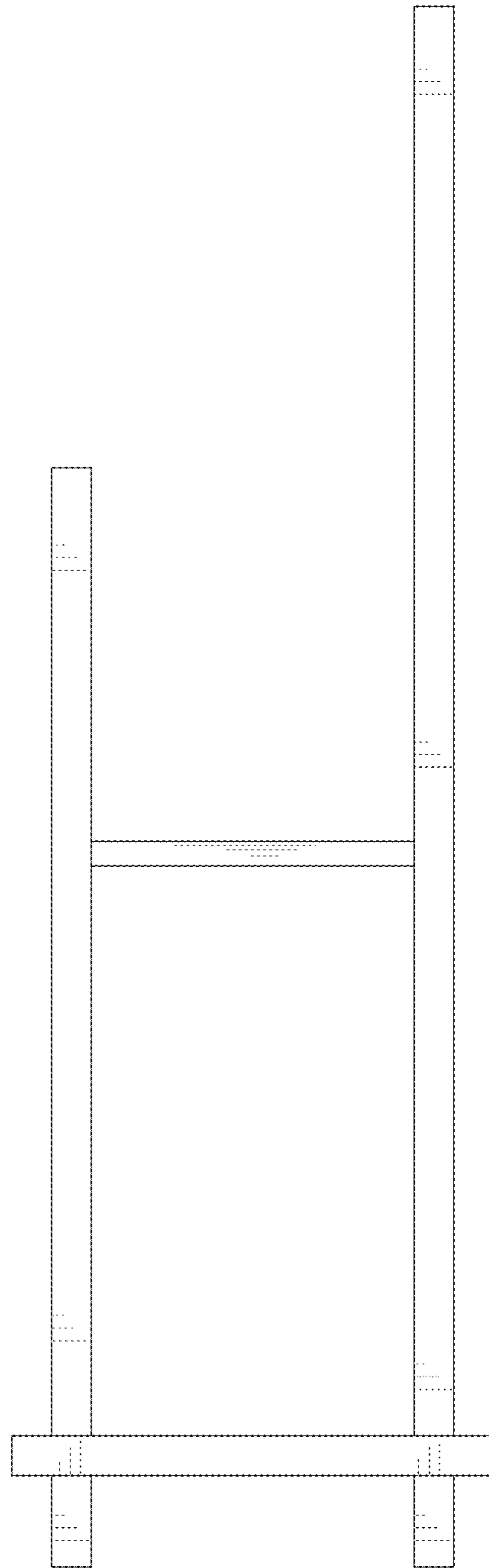


FIG. 6

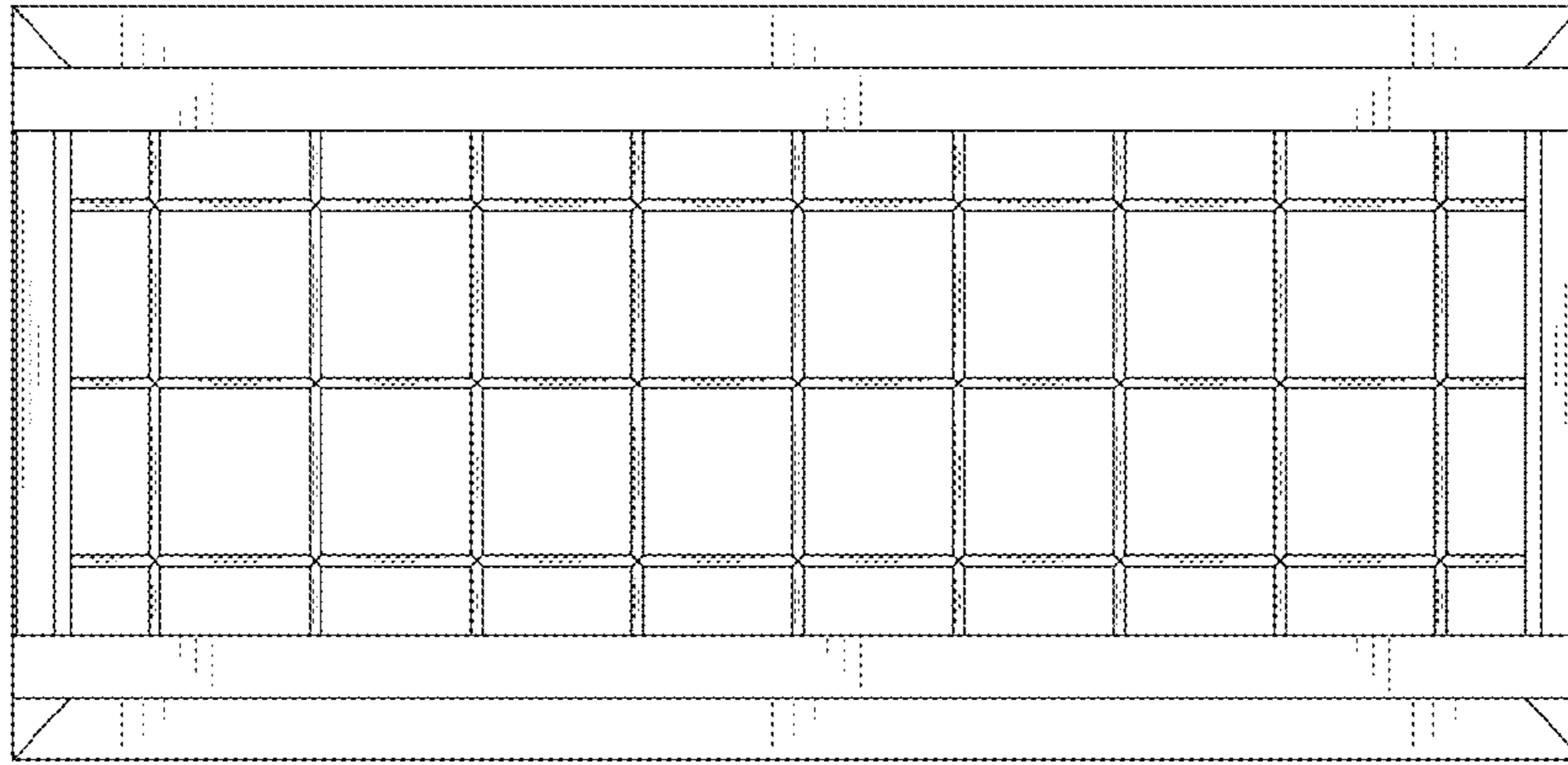


FIG. 7

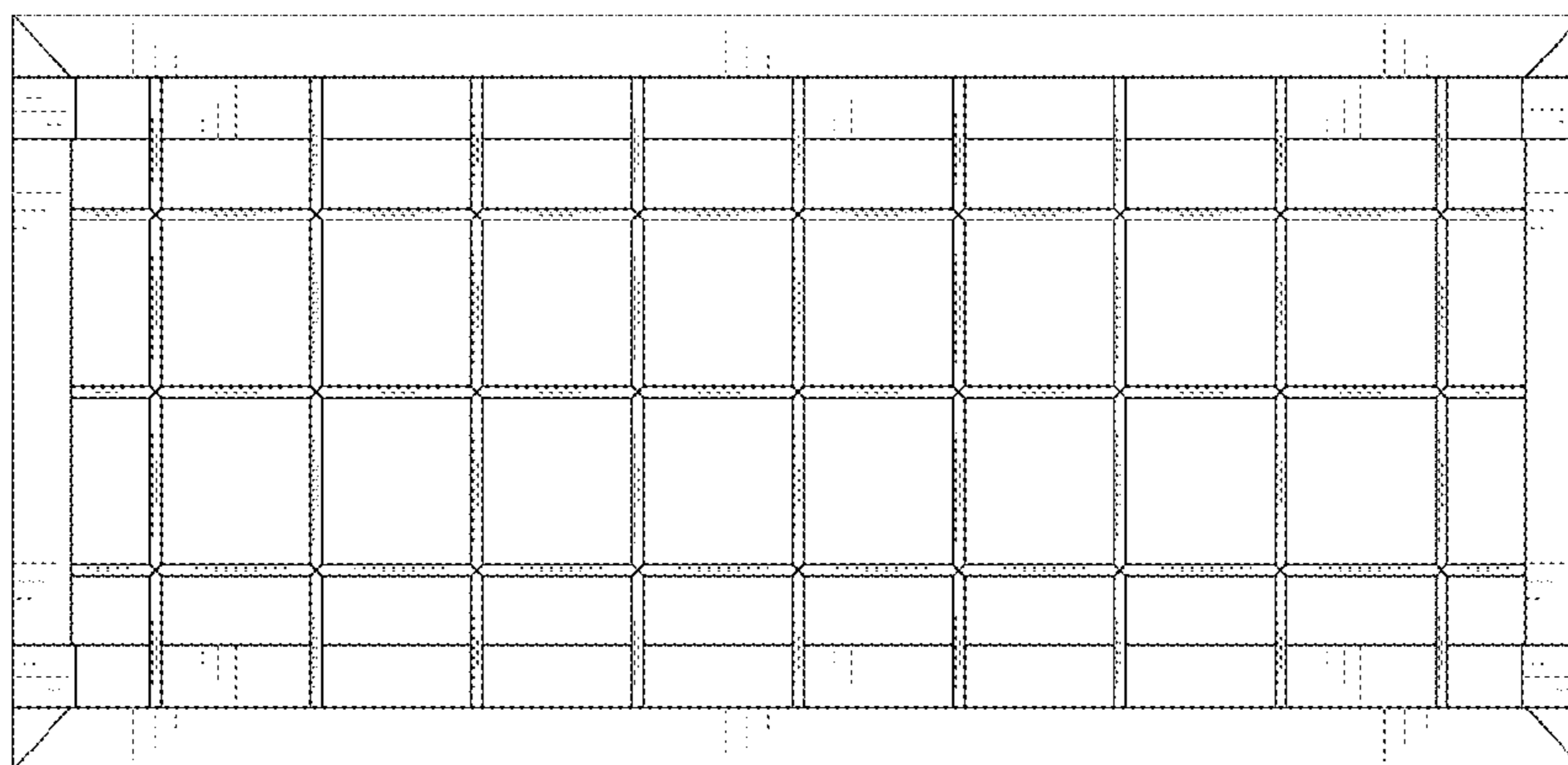


FIG. 8