



US00D966016S

(12) **United States Design Patent** (10) **Patent No.:** **US D966,016 S**  
**Wang** (45) **Date of Patent:** **\*\* Oct. 11, 2022**

(54) **ELECTRIC DESK**  
(71) Applicant: **Jiangsu Star Intelligent Home Furnishing Co., Ltd**, Changzhou (CN)  
(72) Inventor: **Ruiguang Wang**, Changzhou (CN)  
(\*\*) Term: **15 Years**  
(21) Appl. No.: **29/808,962**  
(22) Filed: **Sep. 24, 2021**  
(51) **LOC (13) Cl.** ..... **06-03**  
(52) **U.S. Cl.**  
USPC ..... **D6/656.16**  
(58) **Field of Classification Search**  
USPC ..... D6/656, 656.11, 656.16, 656.17, 656.19, D6/691.5  
CPC ... A47B 9/20; A47B 21/02; A47B 2200/0056; A47B 9/00; A47B 2200/0062; A47B 2200/0057  
See application file for complete search history.

(56) **References Cited**

**U.S. PATENT DOCUMENTS**

D299,798 S \* 2/1989 Sottsas ..... D6/656.16  
D716,073 S 10/2014 Hsu  
D770,814 S 11/2016 Davidson  
D794,359 S \* 8/2017 Yamamoto ..... D6/656  
D819,371 S 6/2018 Cao  
D846,917 S 4/2019 Hu  
D847,541 S \* 5/2019 Yamamoto ..... D6/656  
D858,145 S 9/2019 Herring  
D858,146 S 9/2019 Herring  
D860,687 S 9/2019 Parikh  
D861,382 S \* 10/2019 Hu ..... D6/656.11  
D862,937 S \* 10/2019 Störiko ..... D6/691.5  
D864,619 S 10/2019 Hu

(Continued)

**OTHER PUBLICATIONS**

“Flexispot EC1 Essential Standing Desk.” Found online Aug. 12, 2022 at [www.amazon.com](http://www.amazon.com). Product first available Sep. 3, 2018.

Retrieved from URL: <https://www.amazon.com/Flexispot-Standing-Adjustable-Electric-Blacktop/dp/B07H2W9Y3W> (Year: 2018).\*

(Continued)

*Primary Examiner* — Mary Ann Calabrese  
*Assistant Examiner* — Katelin G Kloberg  
(74) *Attorney, Agent, or Firm* — Runit Ranjit Kanakia

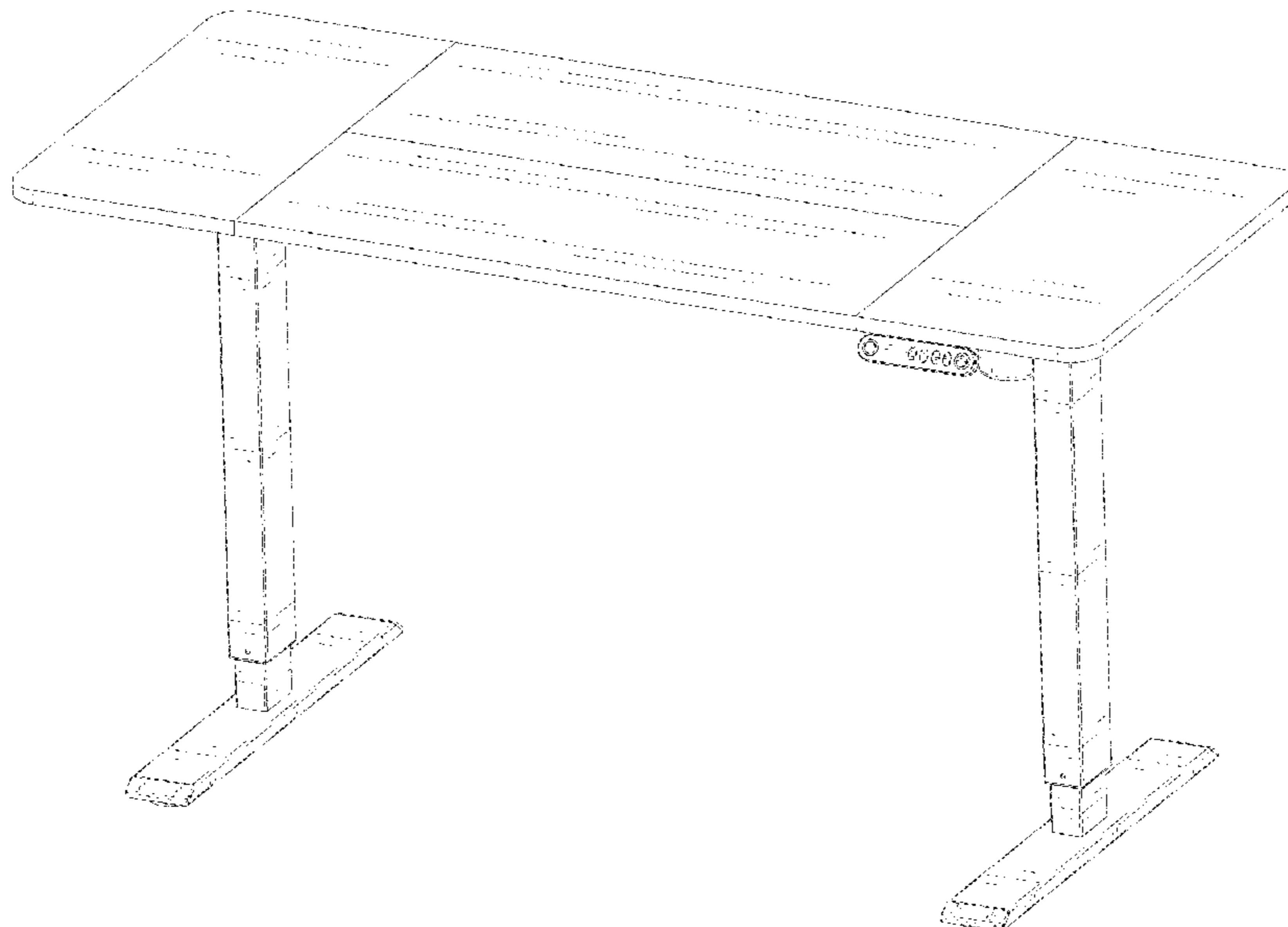
(57) **CLAIM**

The ornamental design for a electric desk, as shown and described.

**DESCRIPTION**

FIG. 1 is a front elevational view of a electric desk showing my new design;  
FIG. 2 is a rear elevational view thereof; and  
FIG. 3 is a left side view thereof;  
FIG. 4 is a right side view thereof;  
FIG. 5 is a top plan view thereof;  
FIG. 6 is a bottom plan view thereof;  
FIG. 7 is a top, front, right side perspective view thereof;  
FIG. 8 is a bottom, rear, left side perspective view thereof;  
FIG. 9 is a bottom, front, left side perspective view thereof;  
FIG. 10 is an enlarged view of detail 10 in FIG. 1;  
FIG. 11 is an enlarged view of detail 11 in FIG. 2;  
FIG. 12 is an enlarged view of detail 12 in FIG. 3;  
FIG. 13 is an enlarged view of detail 13 in FIG. 6;  
FIG. 14 is an enlarged view of detail 14 in FIG. 6;  
FIG. 15 is an enlarged view of detail 15 in FIG. 8;  
FIG. 16 is an enlarged view of detail 16 in FIG. 8;  
FIG. 17 is an enlarged view of detail 17 in FIG. 9; and,  
FIG. 18 is an enlarged view of detail 18 in FIG. 9.  
The broken lines in the figures are for the purposes of illustrating portions of the electric desk, which form no part of the claimed design.

**1 Claim, 18 Drawing Sheets**



(56)

References Cited

U.S. PATENT DOCUMENTS

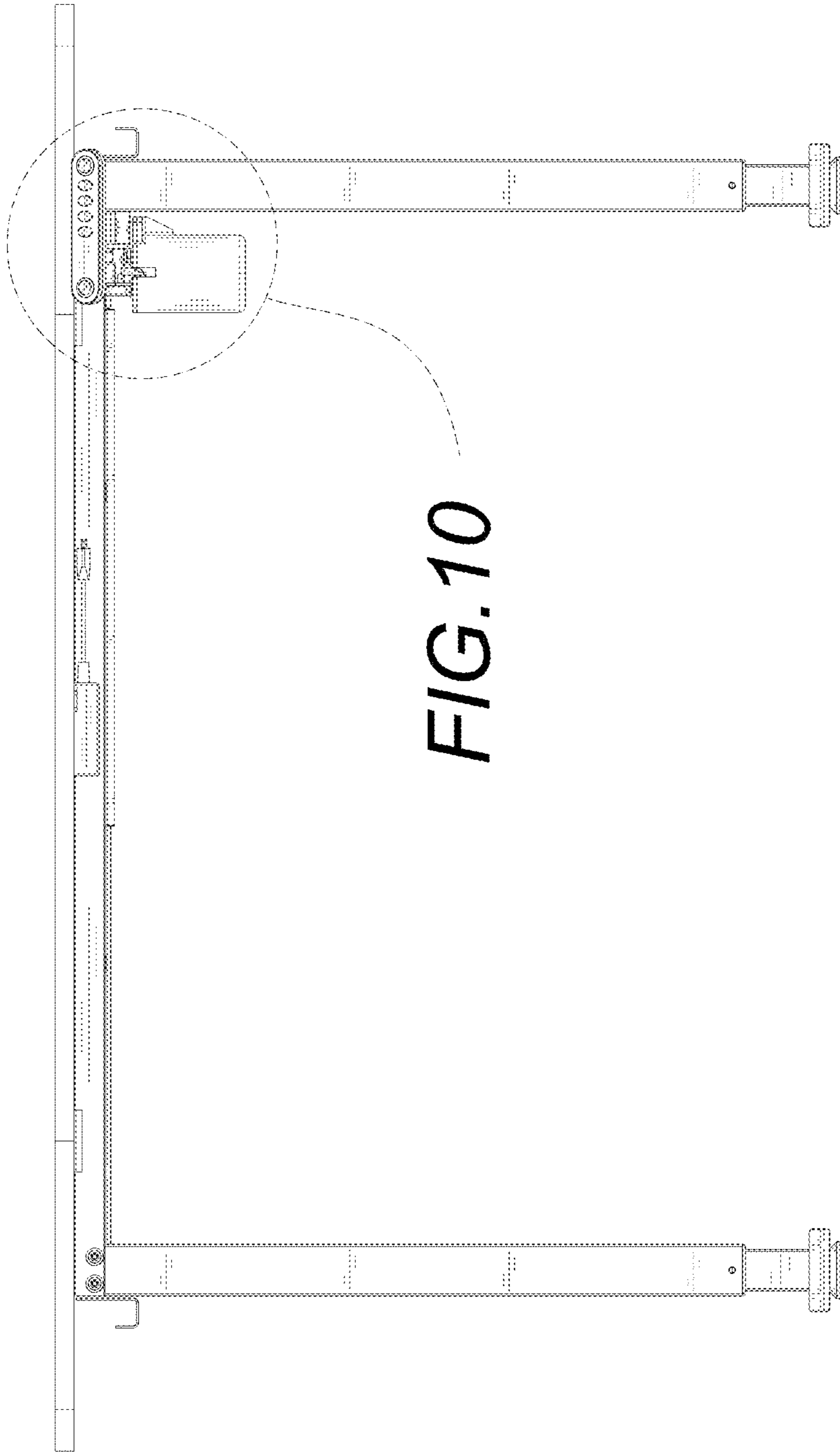
D875,442 S \* 2/2020 Duan ..... D6/656.16  
 D877,544 S \* 3/2020 Hu ..... D6/656.16  
 D879,514 S \* 3/2020 Goldberg ..... D6/656.16  
 D879,515 S \* 3/2020 Goldberg ..... D6/656.16  
 D881,610 S 4/2020 Hu  
 D901,946 S \* 11/2020 Egger ..... D6/656.17  
 D908,402 S 1/2021 Jenkins  
 D916,533 S \* 4/2021 Huang ..... D6/656.16  
 D917,935 S \* 5/2021 Huang ..... D6/656.17  
 D922,104 S \* 6/2021 Liu ..... D6/656.17  
 D924,602 S \* 7/2021 Wang ..... D6/656.19  
 11,051,611 B2 \* 7/2021 Goldberg ..... A47B 3/08  
 D926,498 S \* 8/2021 Hu ..... D6/656.16  
 D931,660 S \* 9/2021 Hu ..... D6/656.16  
 D931,661 S \* 9/2021 Hu ..... D6/656.17  
 11,206,921 B1 \* 12/2021 Lin ..... A47B 9/06  
 D942,188 S \* 2/2022 Hu ..... D6/656.17  
 11,239,646 B1 \* 2/2022 Chen ..... A47B 9/00  
 D947,579 S \* 4/2022 Chen ..... D6/656.16  
 D950,986 S \* 5/2022 Hu ..... D6/656.16  
 2017/0290415 A1 \* 10/2017 Hsu ..... A47B 21/00  
 2019/0029413 A1 \* 1/2019 Patton ..... A47B 3/06  
 2019/0059573 A1 \* 2/2019 Tseng ..... A47B 9/04  
 2019/0246789 A1 \* 8/2019 Chen ..... A47B 21/02  
 2020/0154881 A1 \* 5/2020 Applegate ..... A47B 3/0815

2020/0229588 A1 \* 7/2020 Chen ..... A47B 9/04  
 2020/0329861 A1 \* 10/2020 Zhang ..... A47C 7/72  
 2020/0352320 A1 \* 11/2020 Jacobs ..... A47B 21/02  
 2020/0359785 A1 \* 11/2020 Lu ..... A47B 9/00  
 2021/0030146 A1 \* 2/2021 Riebner ..... A47B 9/00  
 2021/0052064 A1 \* 2/2021 Miller ..... A47B 9/00  
 2021/0100354 A1 \* 4/2021 Møller ..... A47B 9/20  
 2021/0145163 A1 \* 5/2021 Lin ..... A47B 9/04  
 2021/0145164 A1 \* 5/2021 Lu ..... A47B 9/16  
 2021/0177137 A1 \* 6/2021 Lindner ..... F16B 12/10  
 2021/0378397 A1 \* 12/2021 Anderson ..... A47B 21/02  
 2022/0031062 A1 \* 2/2022 Albert ..... A47B 9/20

OTHER PUBLICATIONS

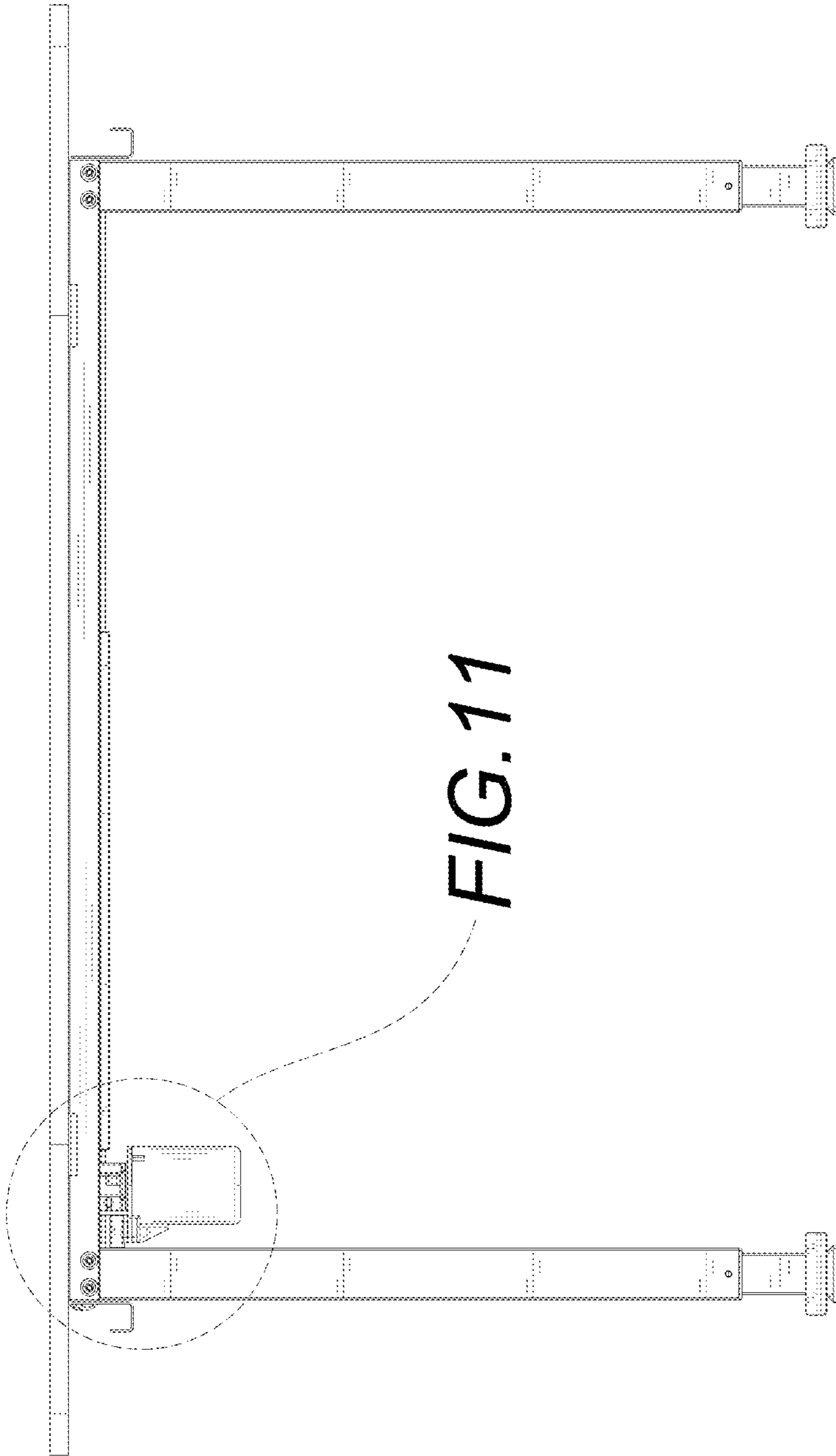
“Progressive Automations Desk.” Found online Aug. 12, 2022 at [www.amazon.com](https://www.amazon.com). Product first available Apr. 29, 2020. Retrieved from URL: <https://www.amazon.com/dp/B087X9Z1D8> (Year: 2020).\*  
 “FEZIBO Height Adjustable Electric Standing Desk.” Found online Aug. 12, 2022 at [www.amazon.com](https://www.amazon.com). Product first available Jul. 3, 2020. Retrieved from URL: <https://www.amazon.com/FEZIBO-Height-Adjustable-Electric-Standing/dp/B08CBV1VC5> (Year: 2020).\*  
 “Iyee Nature Electric Standing Desk.” Found online Aug. 12, 2022 at [www.amazon.com](https://www.amazon.com). Product first available Sep. 3, 2021. Retrieved from URL: <https://www.amazon.com/IYEE-NATURE-Electric-Standing-Adjustable/dp/B094D914SD> (Year: 2021).\*

\* cited by examiner



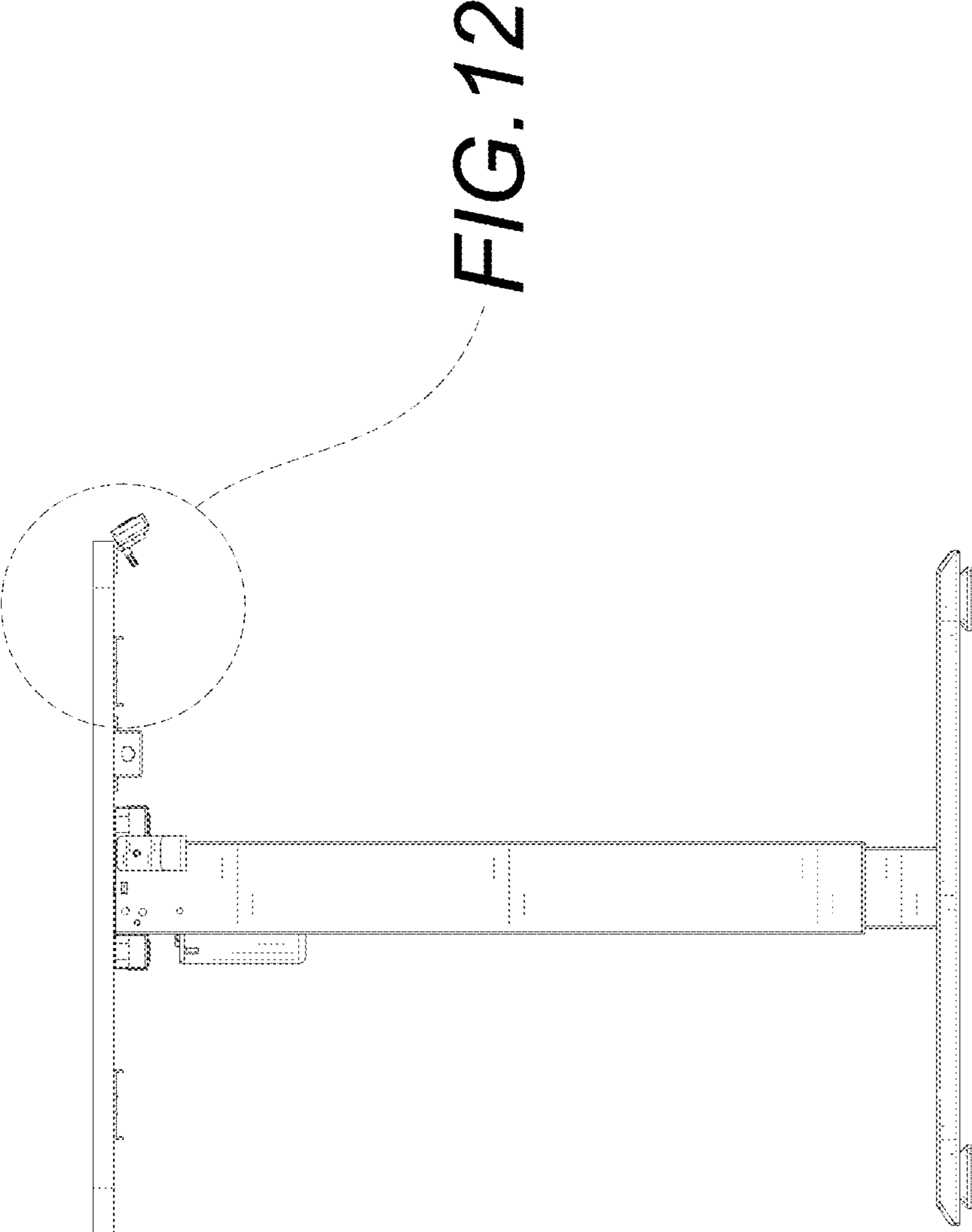
**FIG. 10**

**FIG. 1**



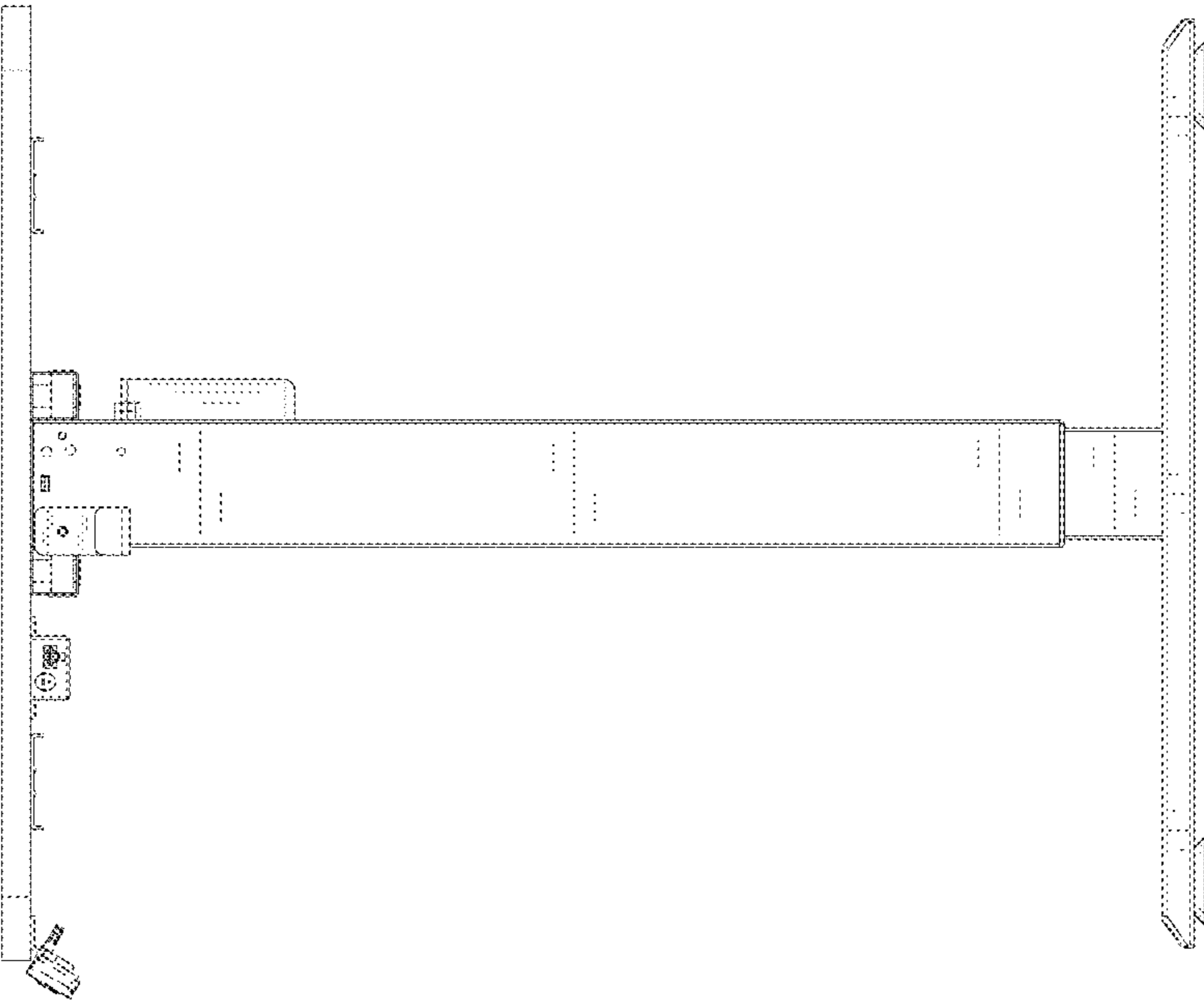
**FIG. 11**

**FIG. 2**

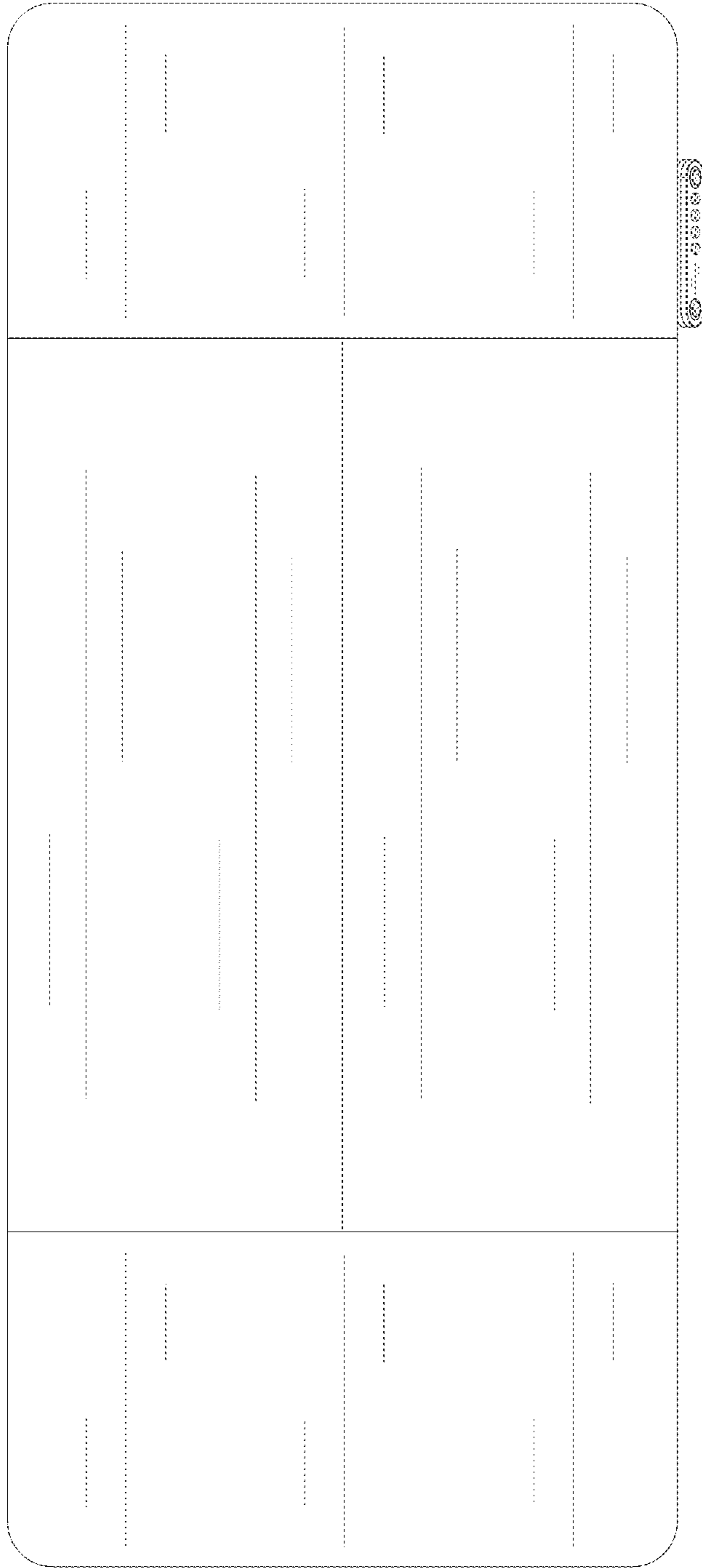


**FIG. 12**

**FIG. 3**



**FIG. 4**



**FIG. 5**

FIG. 13

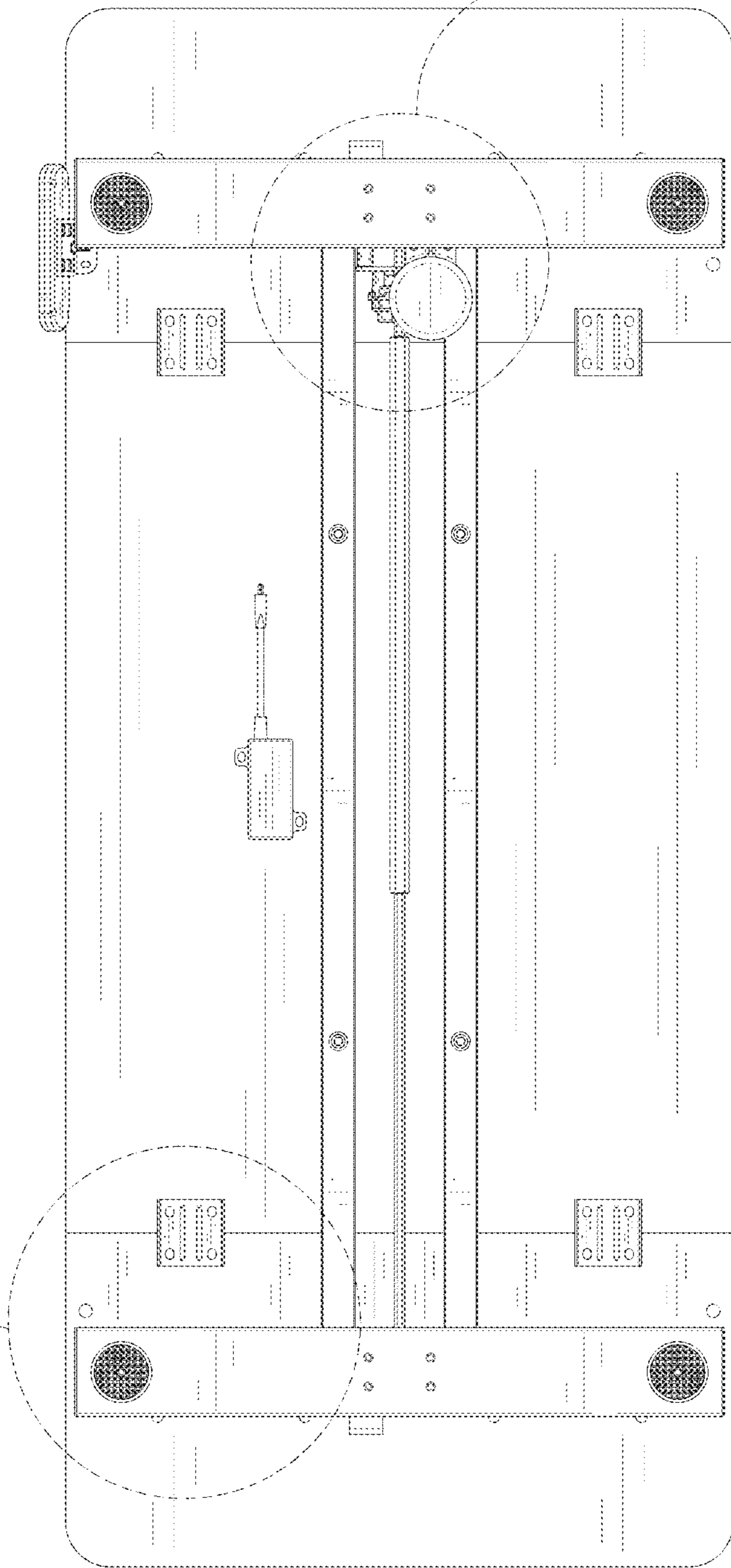


FIG. 14

FIG. 6



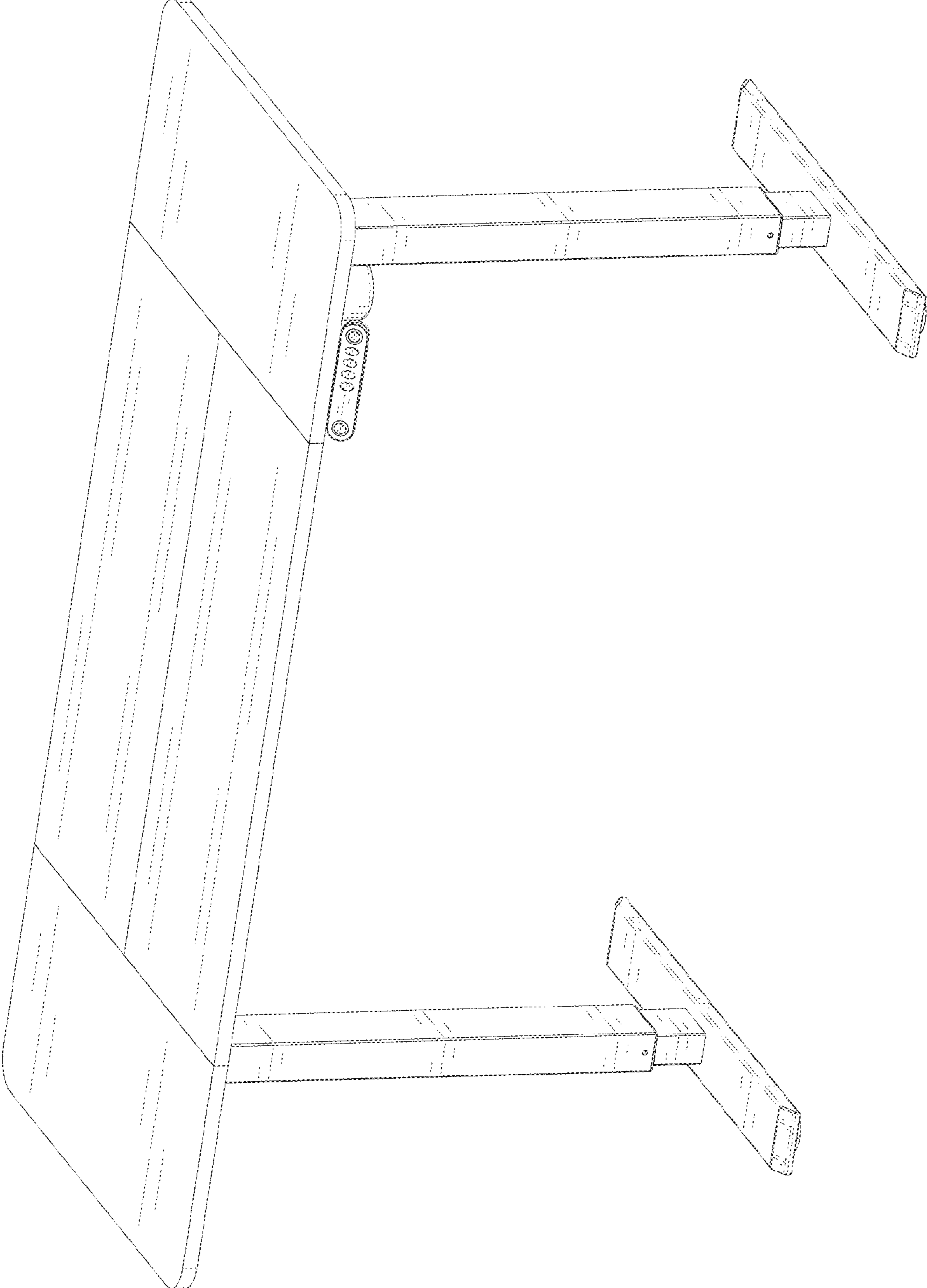
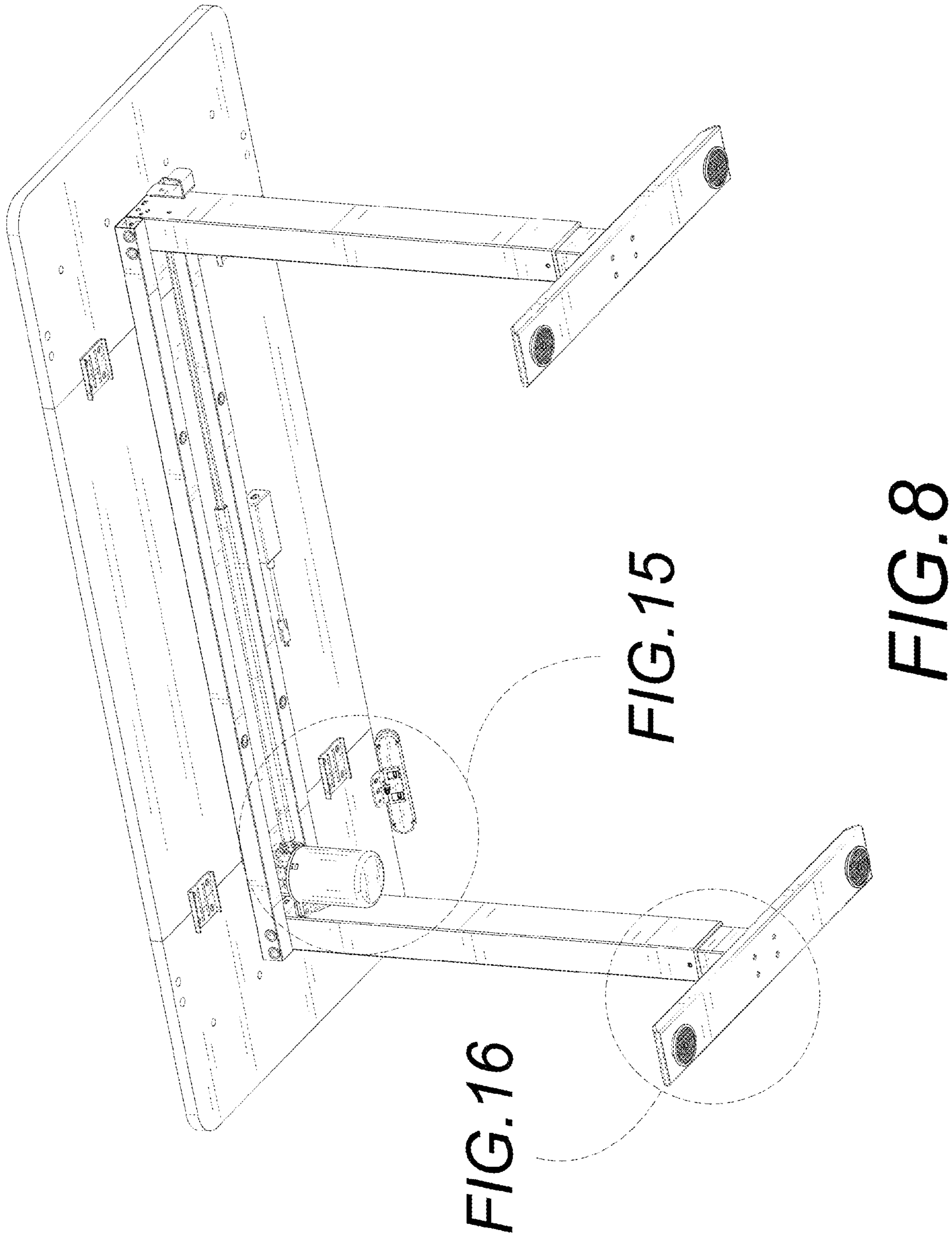
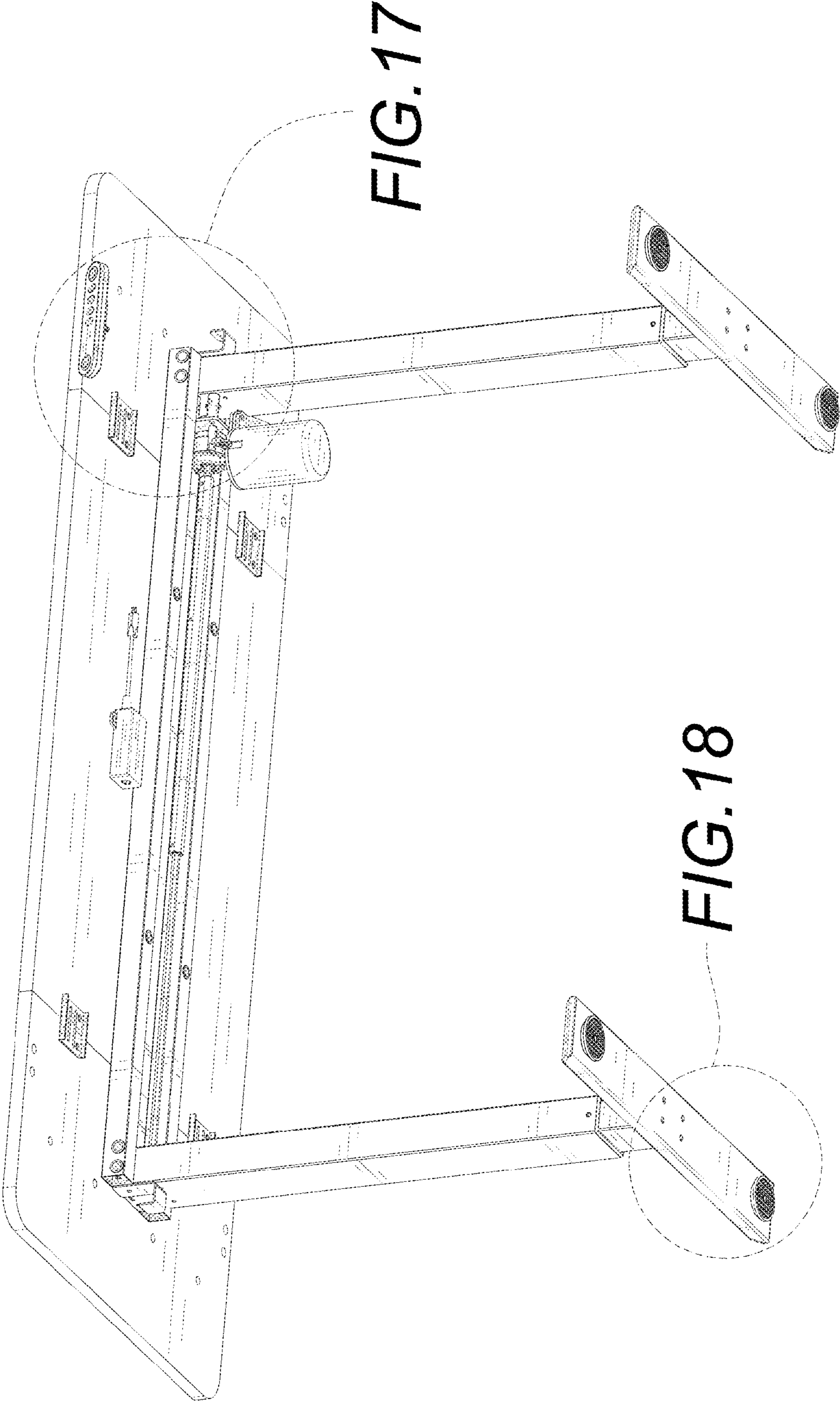
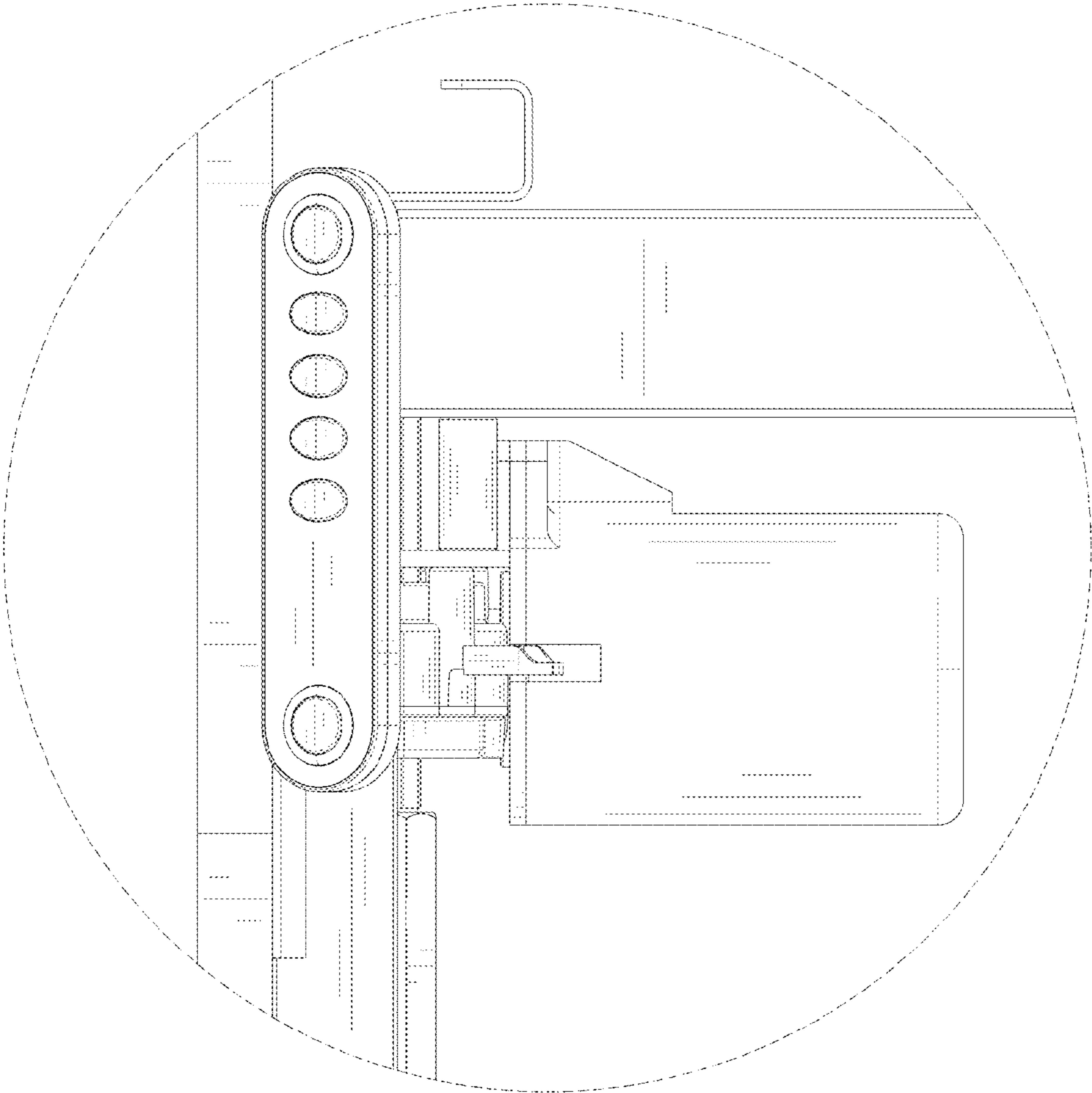


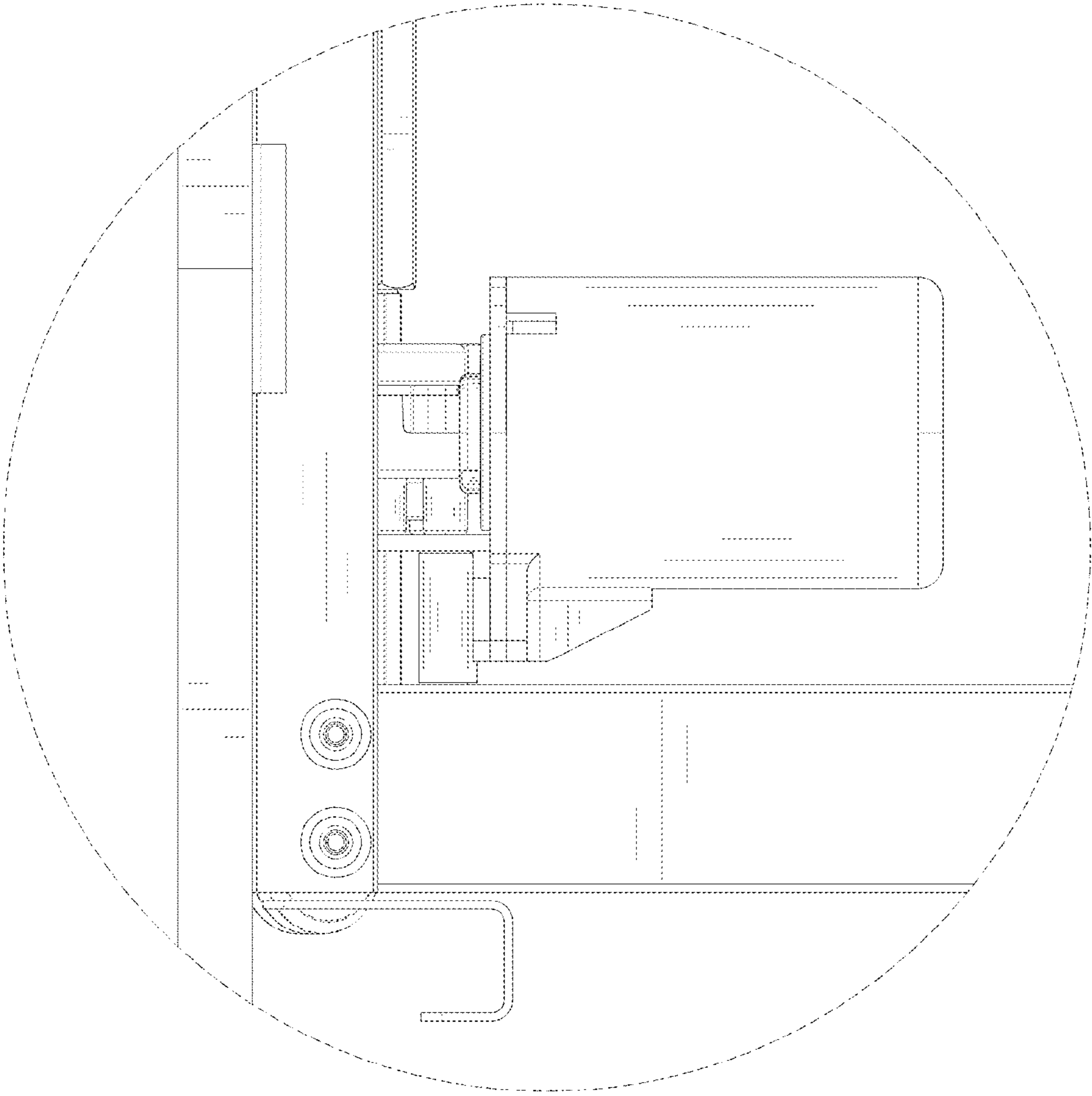
FIG. 7



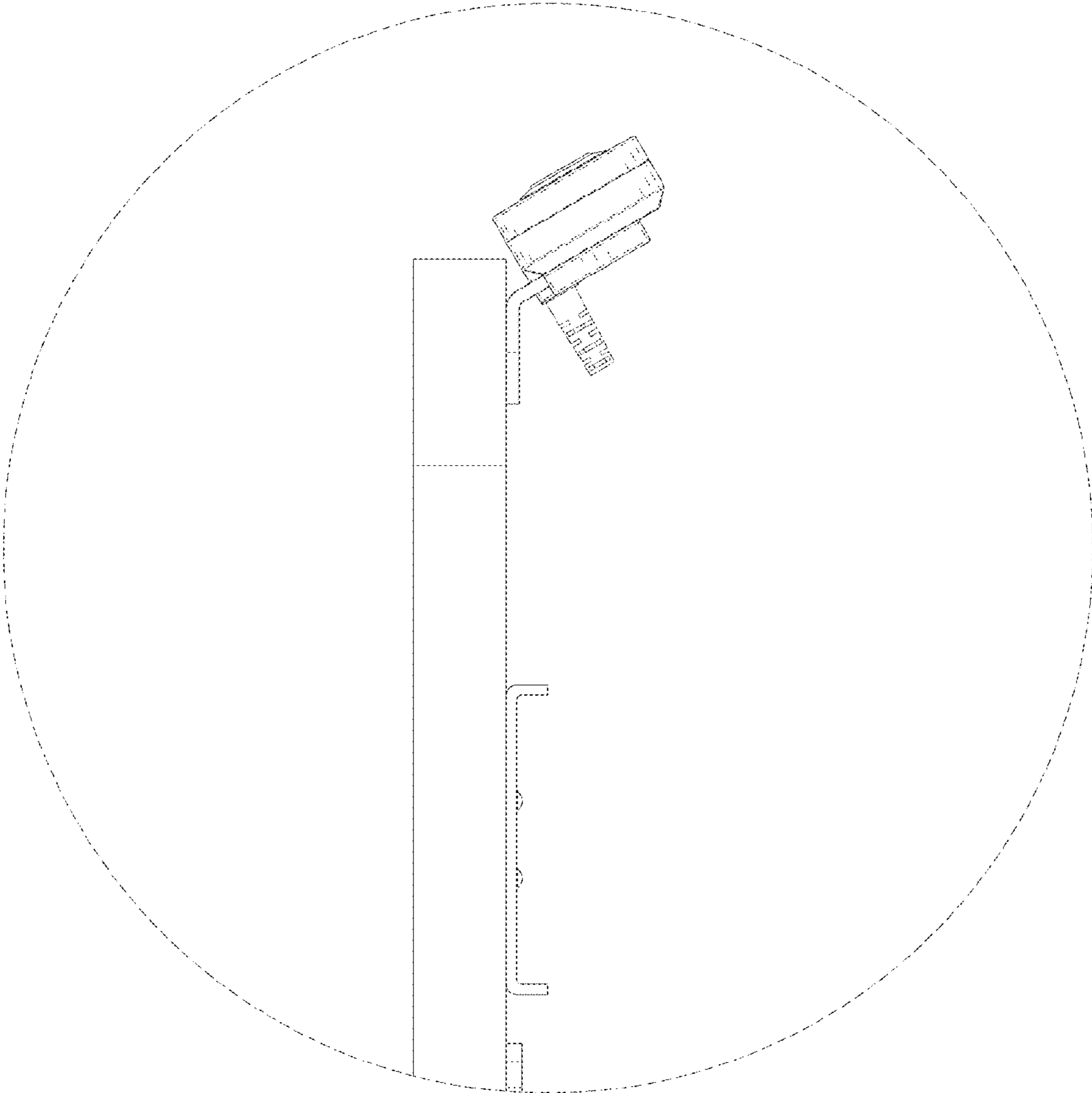




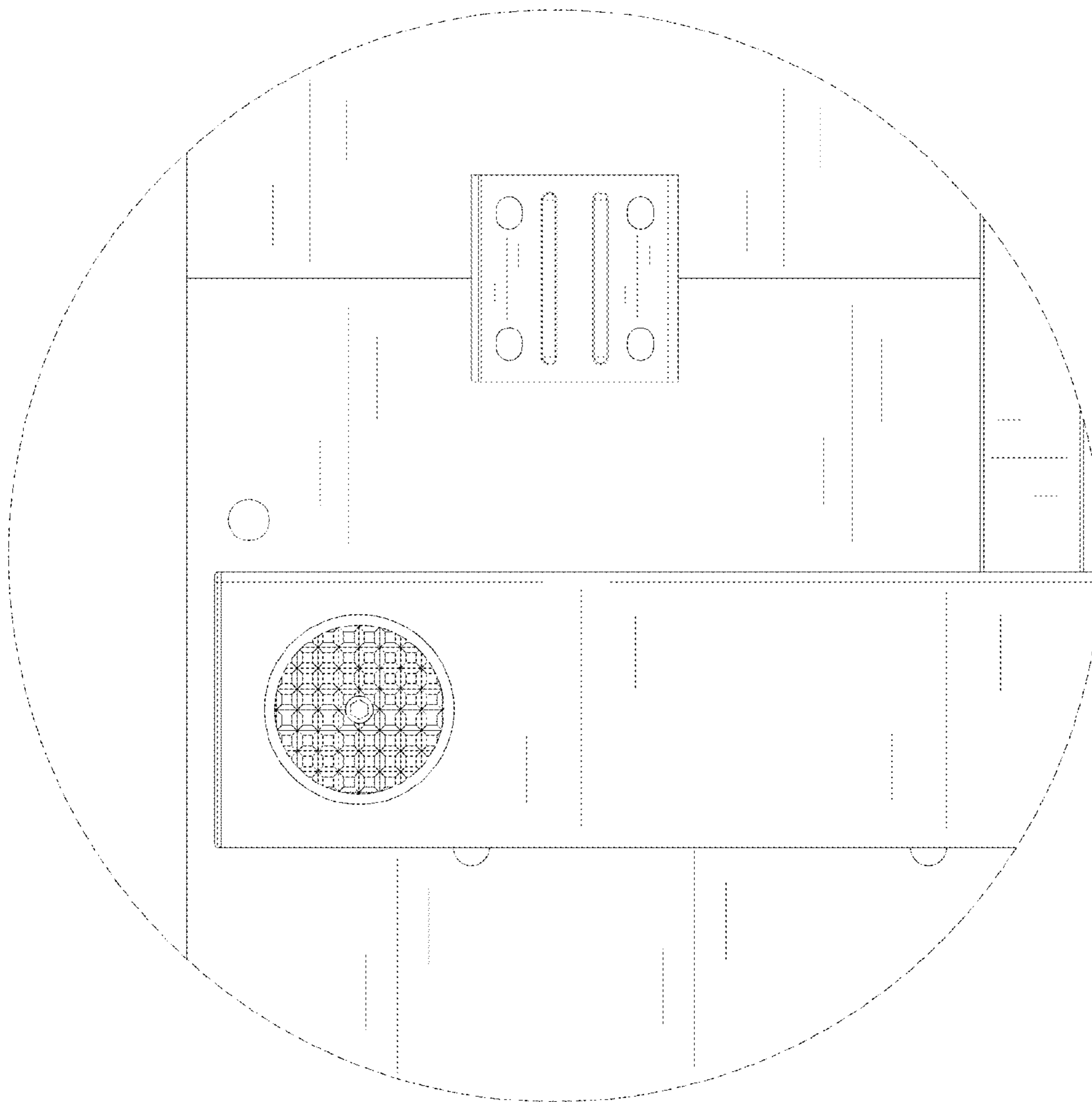
**FIG. 10**



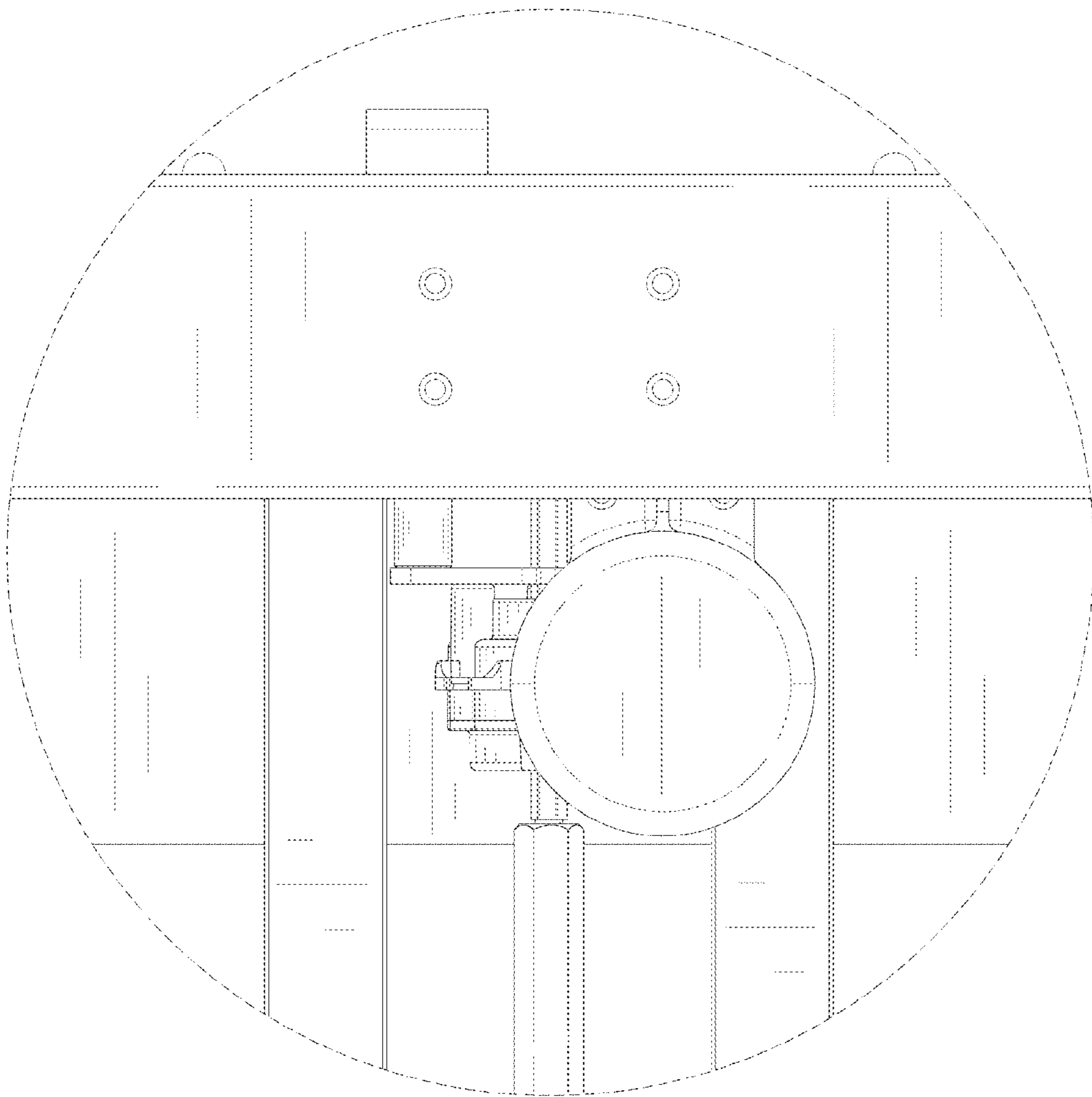
**FIG. 11**



**FIG. 12**



**FIG. 13**



**FIG. 14**



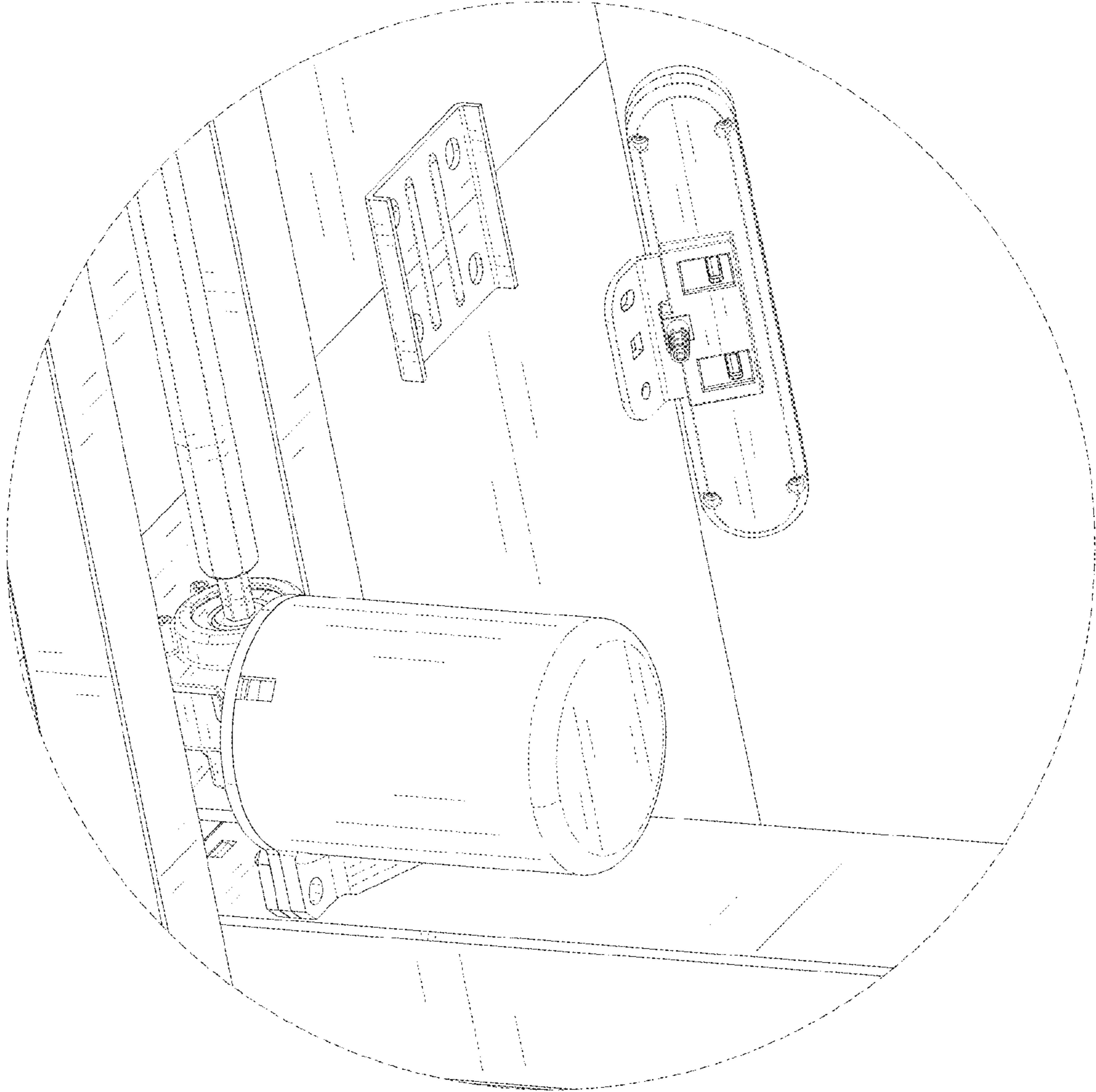
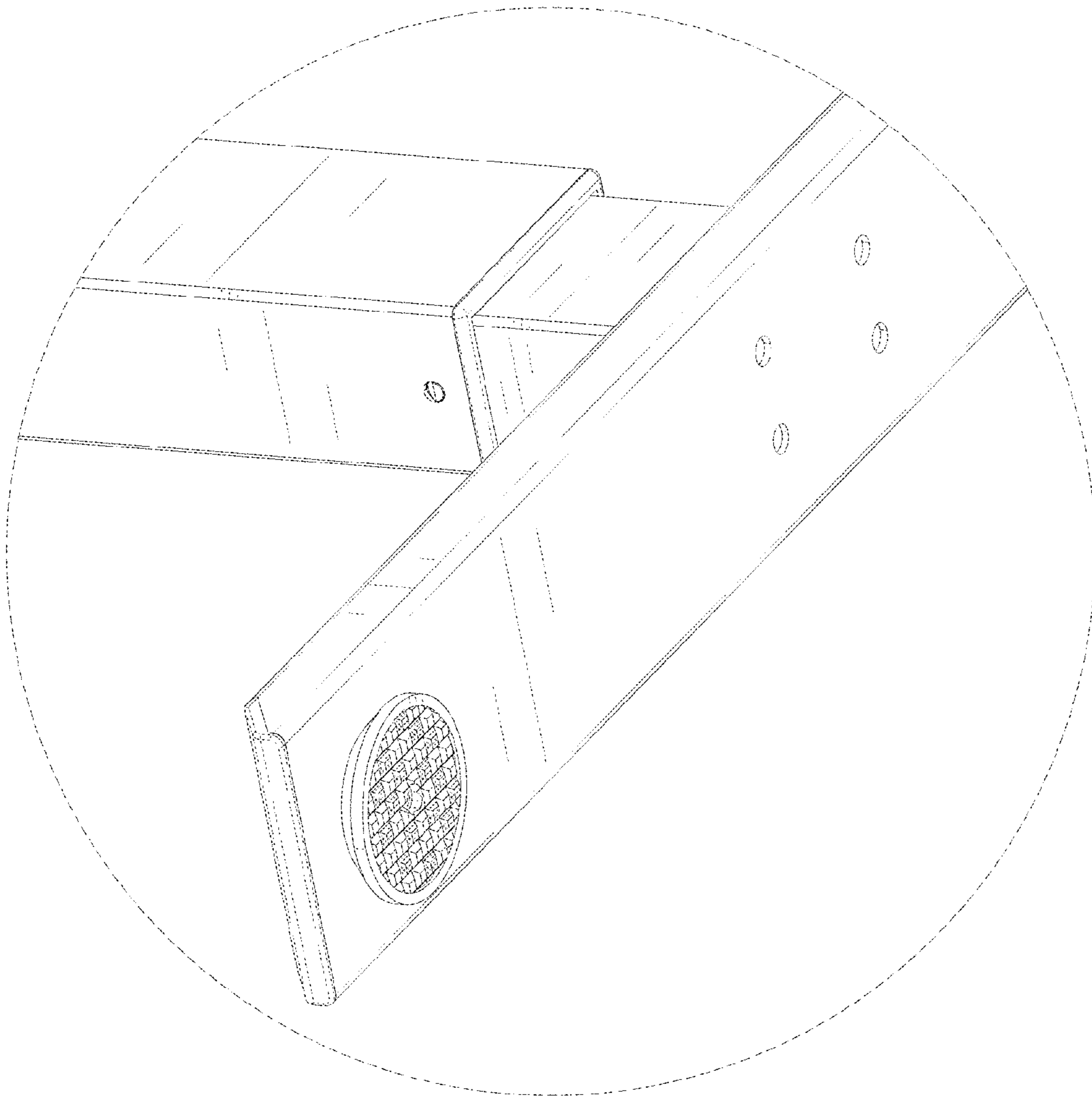


FIG. 15



**FIG. 16**

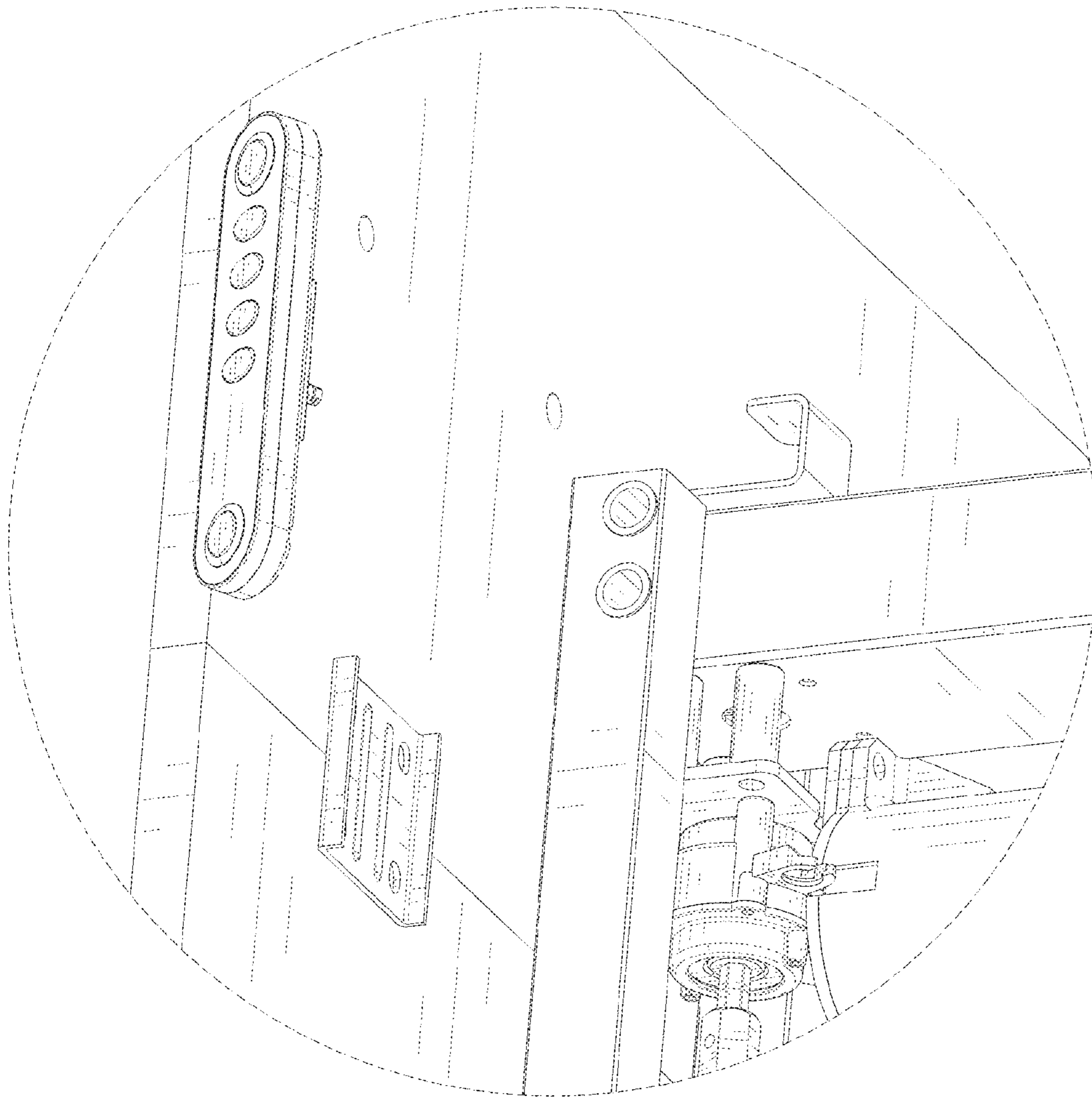


FIG. 17

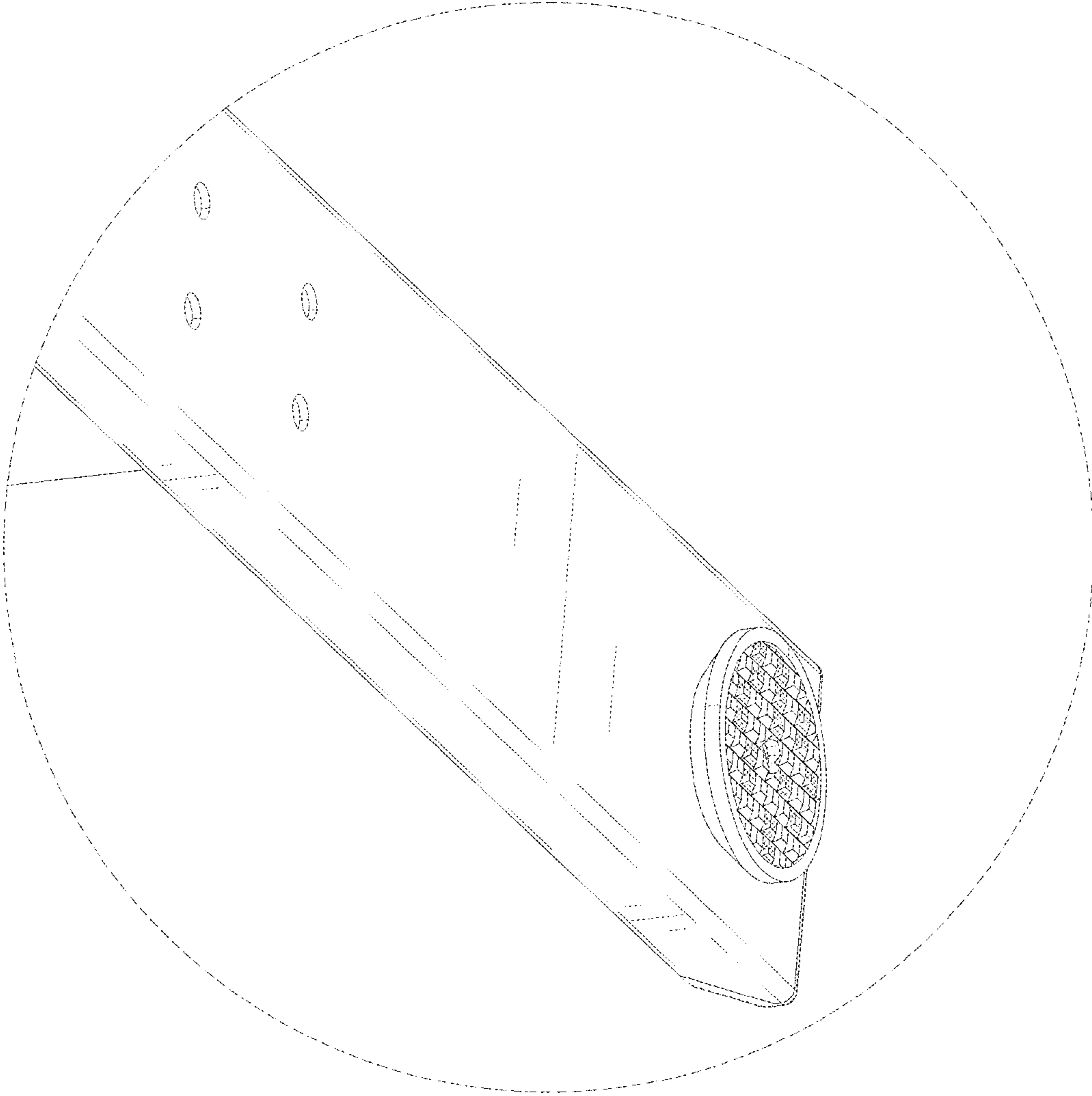


FIG. 18