



US00D966014S

(12) **United States Design Patent** (10) **Patent No.:** **US D966,014 S**
Peng (45) **Date of Patent:** **** Oct. 11, 2022**

(54) **DESK**
(71) Applicant: **Yucan Peng**, Rong (CN)
(72) Inventor: **Yucan Peng**, Rong (CN)
(**) Term: **15 Years**
(21) Appl. No.: **29/776,827**
(22) Filed: **Apr. 1, 2021**
(51) **LOC (13) Cl.** **06-03**
(52) **U.S. Cl.**
USPC **D6/655**
(58) **Field of Classification Search**
USPC D6/641, 642, 655, 655.1, 655.11, 655.12,
D6/655.14–655.19, 565, 691.9
CPC A47B 7/00; A47B 13/00; A47B 13/02;
A47B 13/04; A47B 13/06; A47B 13/08;
A47B 13/10; A47B 17/00; A47B 21/00;
A47B 21/02; A47B 2200/0001; A47B
2200/0011; A47B 2200/002
See application file for complete search history.

(56) **References Cited**
U.S. PATENT DOCUMENTS
D180,288 S * 5/1957 Lippincott D6/707.19
D209,404 S * 11/1967 Pearlman D6/686
D860,687 S 9/2019 Parikh
D879,512 S 3/2020 Hoshikawa
D886,499 S * 6/2020 Davis D6/691.8
D888,466 S 6/2020 Li
D937,014 S * 11/2021 Jackson D6/655.11

OTHER PUBLICATIONS
Stilo Desk by Riva, year 1920—Ultra Modern <https://www.umodern.com/i/riva-1920-stilo-desks-rectangular-top-wooden-office-71814.php> retrieved from the internet on Feb. 20, 2022.*

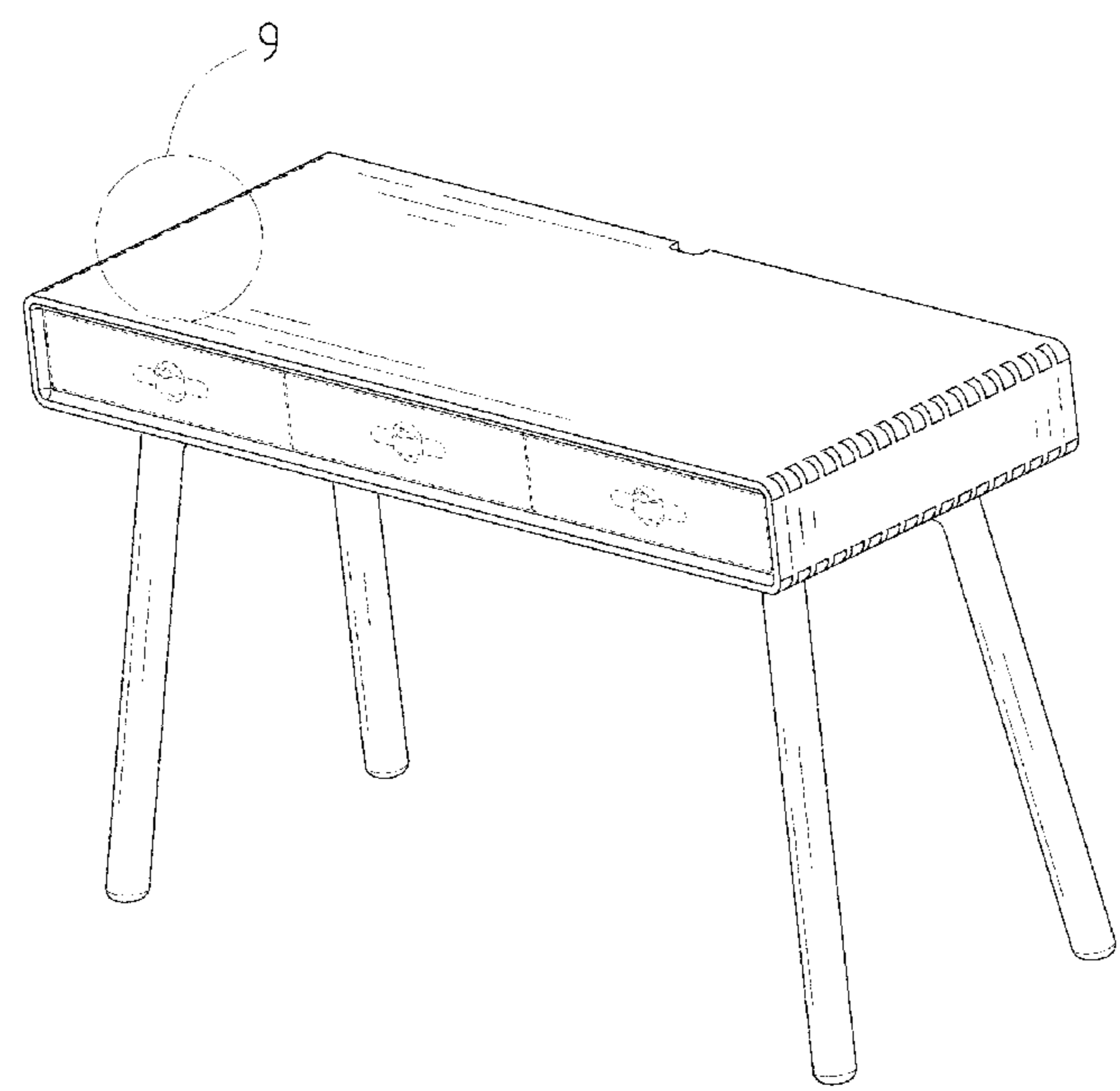
Agnes Desk—American Signature Furniture <https://www.americansignaturefurniture.com/product/item/living-room/home-office/desks/agnes-desk/2417504> retrieved from the internet on Feb. 20, 2022.*
Carter Writing Desk, by George Oliver—Wayfair <https://www.wayfair.com/furniture/pdp/george-oliver-carter-writing-desk-w005933267.html> retrieved from the internet on Feb. 20, 2022.*

* cited by examiner
Primary Examiner — Mary Ann Calabrese

(57) **CLAIM**
The ornamental design for a desk, as shown and described.

DESCRIPTION
FIG. 1 is a top, front perspective view of a desk showing my new design;
FIG. 2 is a bottom, rear perspective view thereof;
FIG. 3 is a front view thereof;
FIG. 4 is a back view thereof;
FIG. 5 is a left side view thereof;
FIG. 6 is a right side view thereof;
FIG. 7 is a top view thereof;
FIG. 8 is a bottom view thereof; and,
FIG. 9 is an enlarged view of the encircled portion taken from FIG. 1.
The broken lines shown in the drawings depict portions of the desk in which the design is embodied that form no part of the claimed design.

1 Claim, 9 Drawing Sheets



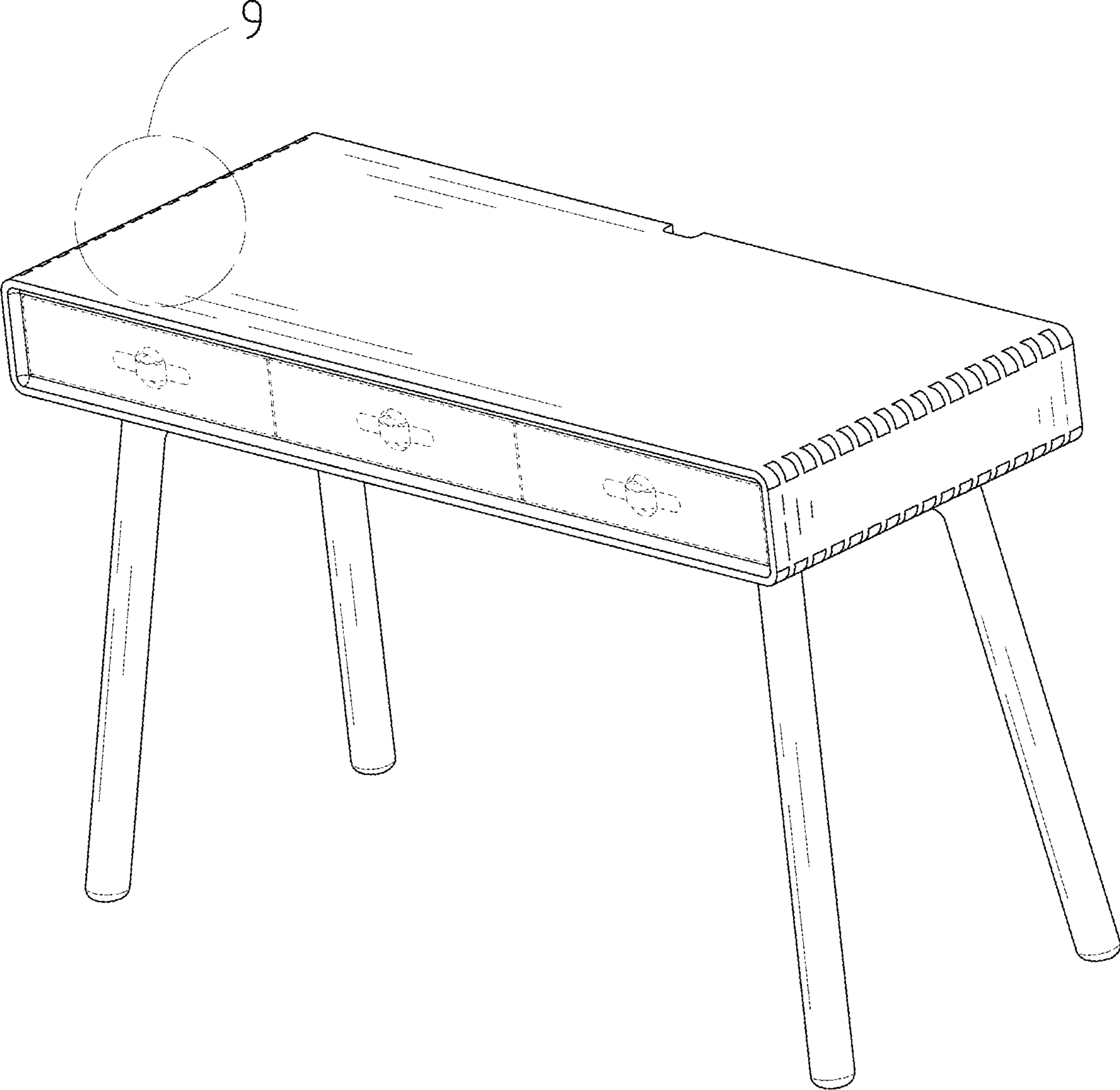


FIG. 1

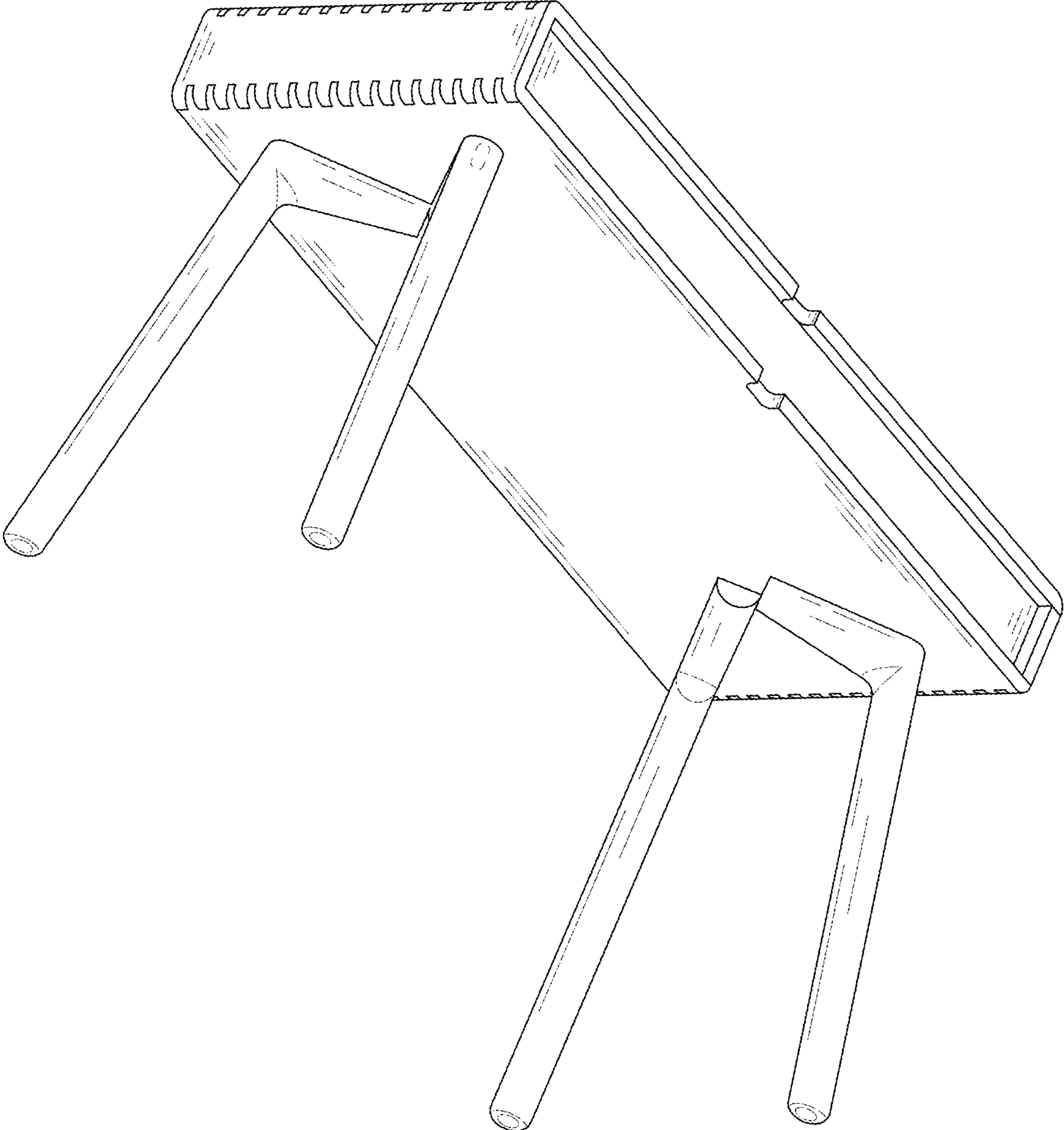


FIG. 2

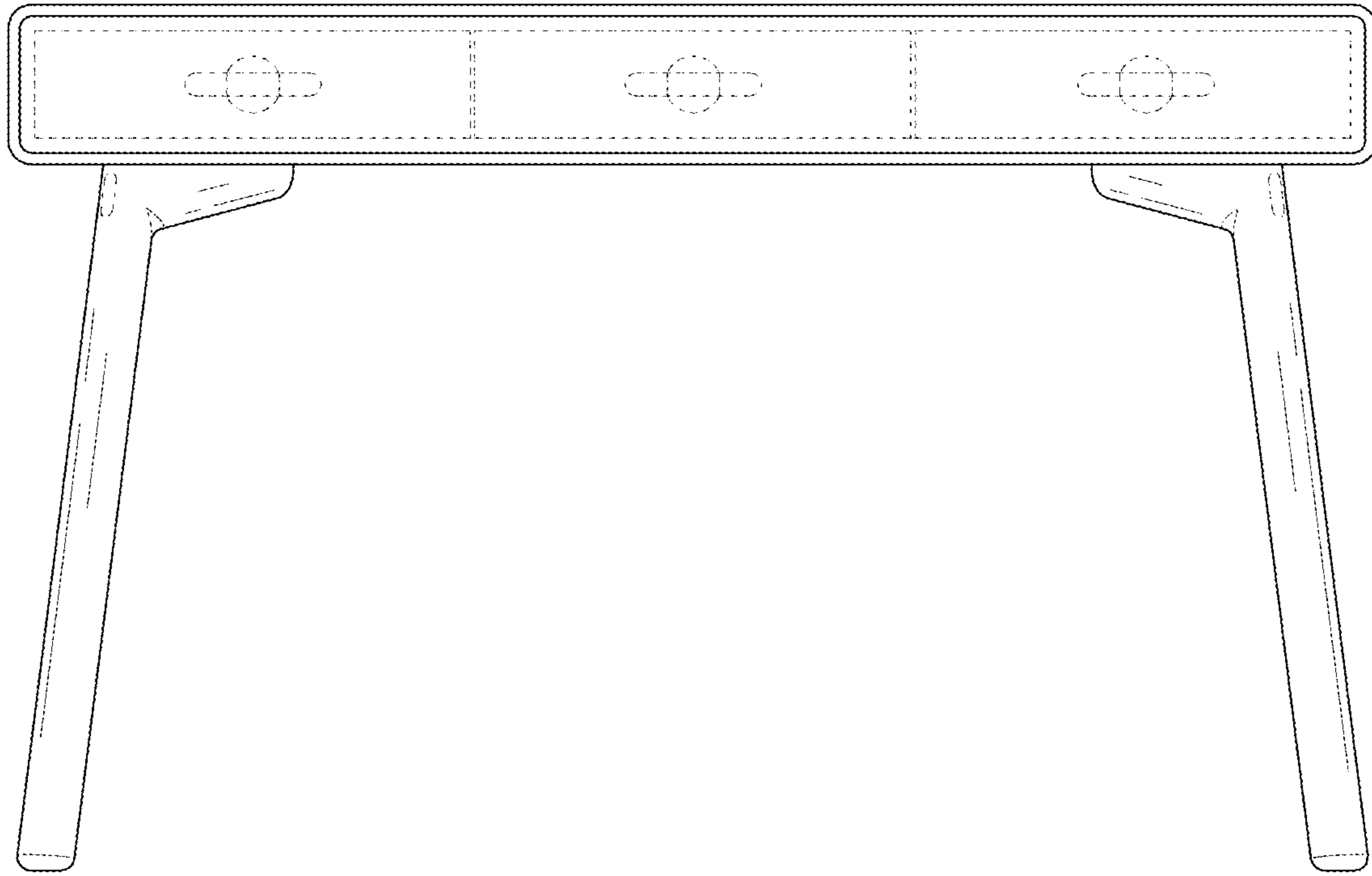


FIG. 3

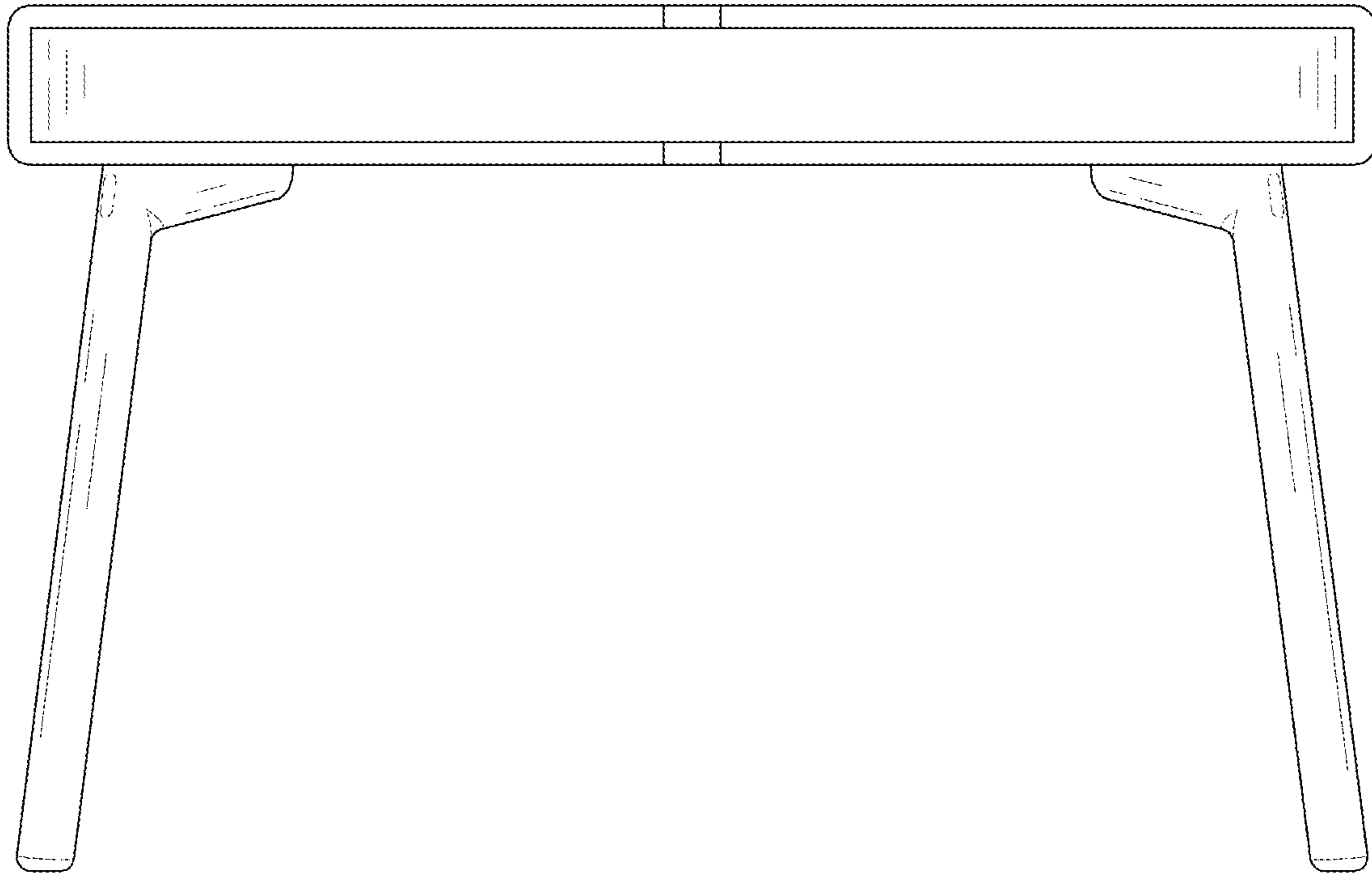


FIG. 4

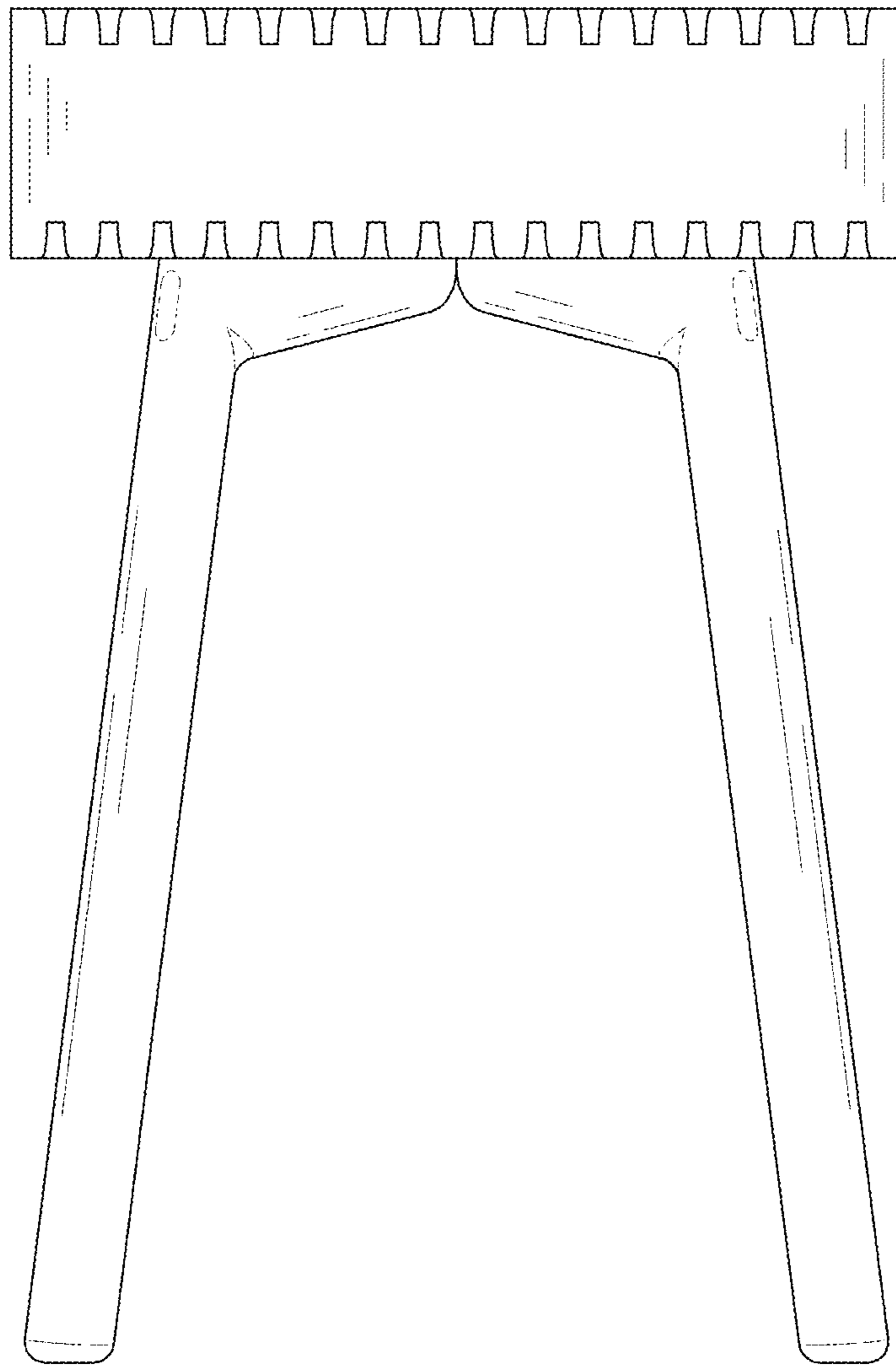


FIG. 5

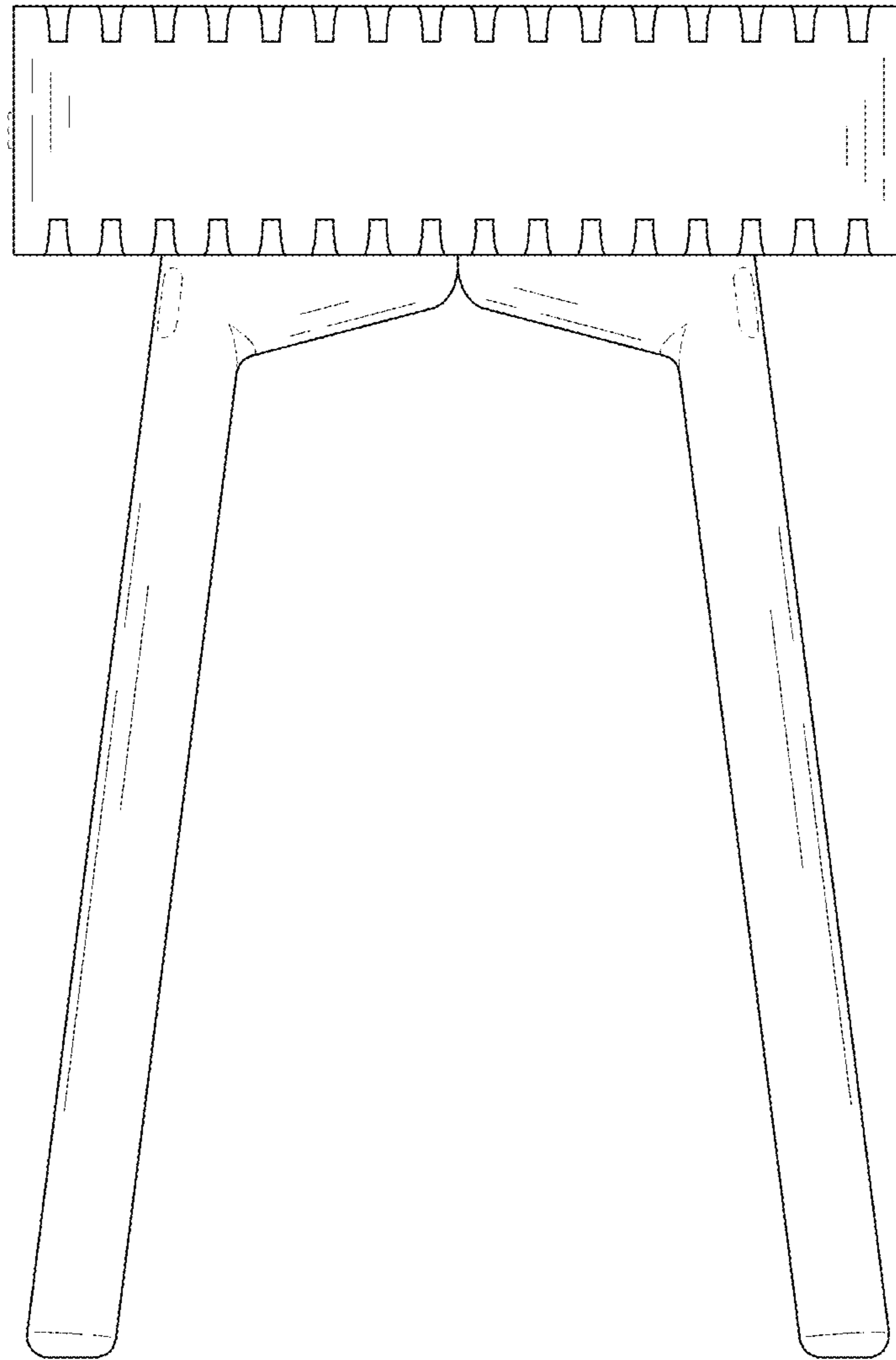


FIG. 6

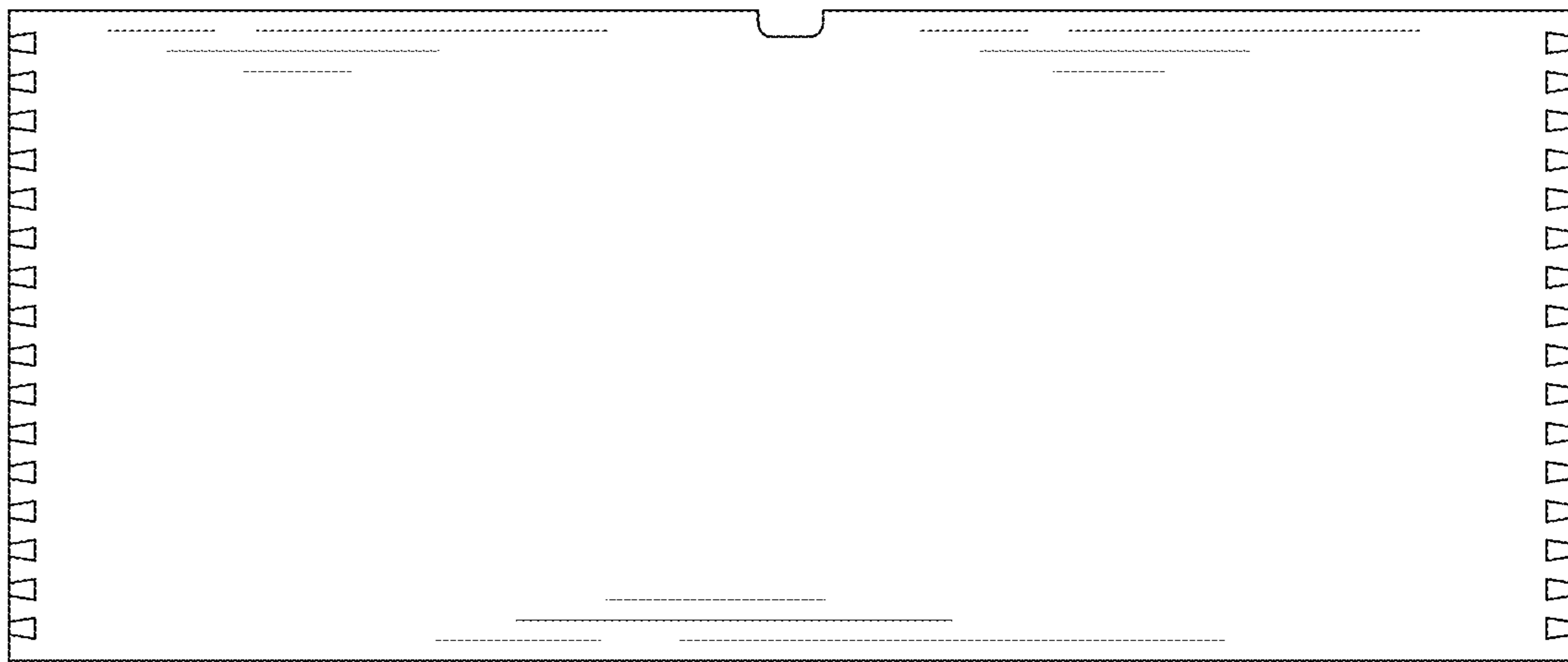


FIG. 7

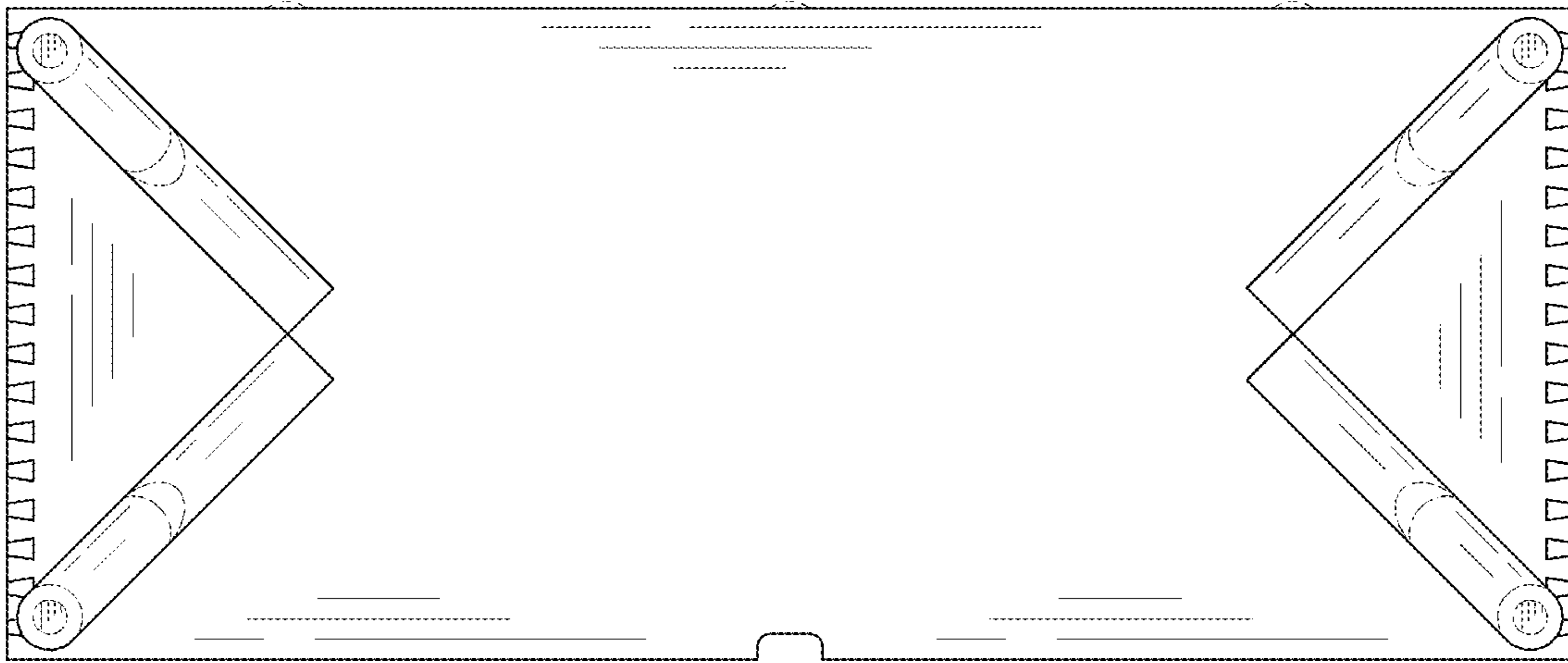


FIG. 8

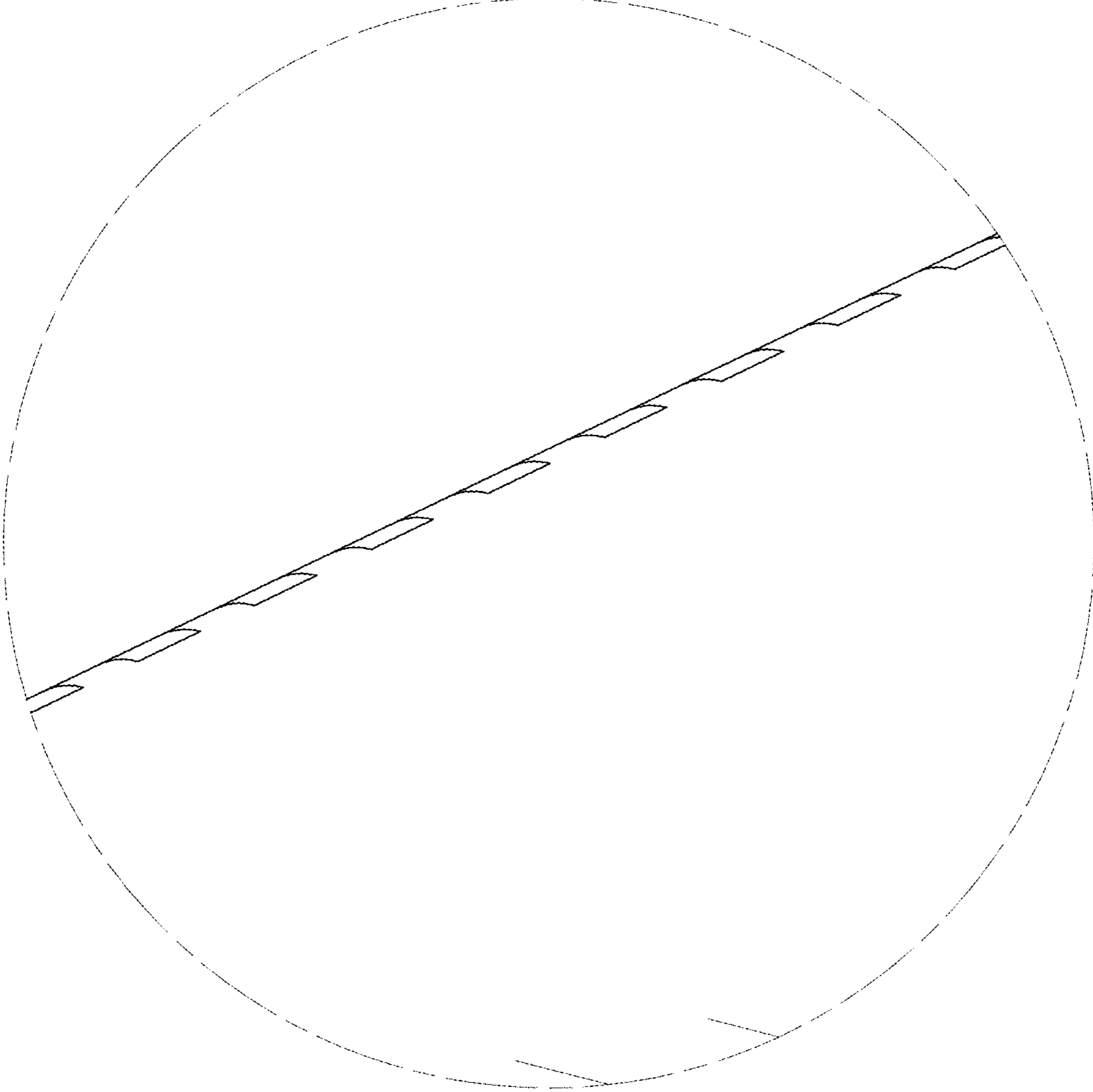


FIG. 9