



US00D966013S

(12) **United States Design Patent** (10) **Patent No.:** **US D966,013 S**
Ohno (45) **Date of Patent:** **** Oct. 11, 2022**

(54) **STANDING DESK**
(71) Applicant: **Ken Stephen Ohno**, Tokyo (JP)
(72) Inventor: **Ken Stephen Ohno**, Tokyo (JP)
(**) Term: **15 Years**
(21) Appl. No.: **29/752,523**
(22) Filed: **Sep. 28, 2020**
(51) **LOC (13) Cl.** **06-03**
(52) **U.S. Cl.**
USPC **D6/655; D6/650**
(58) **Field of Classification Search**
USPC D6/641, 642, 650, 650.1, 655, 655.11,
D6/655.12, 656, 696.3, 656.13, 656.14,
D6/693, 696.03
CPC .. A47B 3/00; A47B 7/00; A47B 13/00; A47B
13/02; A47B 13/04; A47B 13/06; A47B
13/08; A47B 13/10; A47B 13/12; A47B
17/00; A47B 21/00
See application file for complete search history.

(56) **References Cited**

U.S. PATENT DOCUMENTS

D164,075 S 8/1946 Wallace
D148,058 S * 12/1947 Fletcher D6/650
D166,803 S * 5/1952 Garrett D6/650
D175,195 S 7/1955 Streng
5,244,271 A 9/1993 Hackwood
D352,409 S * 11/1994 Hosoe D6/696.3
D368,189 S 3/1996 Bro

D401,086 S * 11/1998 Hellwig D6/656
D413,212 S * 8/1999 Dame D6/650
D488,647 S * 4/2004 Ford D6/696
D604,963 S 12/2009 Potter
D617,122 S 6/2010 Moon
8,186,282 B1 5/2012 Sinchok
D681,979 S 5/2013 Keen
D683,980 S 6/2013 Johnson
D732,852 S 6/2015 Park
D811,761 S 3/2018 Morrison
D846,314 S 4/2019 Dardashti
D882,301 S 4/2020 Ohno

* cited by examiner

Primary Examiner — Mary Ann Calabrese
(74) *Attorney, Agent, or Firm* — Pearne & Gordon LLP

(57) **CLAIM**

The ornamental design for a standing desk, as shown and described.

DESCRIPTION

FIG. 1 is a top front perspective view of a standing desk, showing my new invention;
FIG. 2 is a top rear perspective view thereof;
FIG. 3 is a front view thereof;
FIG. 4 is a rear view thereof;
FIG. 5 is a top view thereof;
FIG. 6 is a bottom view thereof;
FIG. 7 is a right side view thereof; and,
FIG. 8 is left side view thereof.
The broken lines shown in the drawings illustrate portions of the standing desk that form no part of the claimed design.

1 Claim, 8 Drawing Sheets

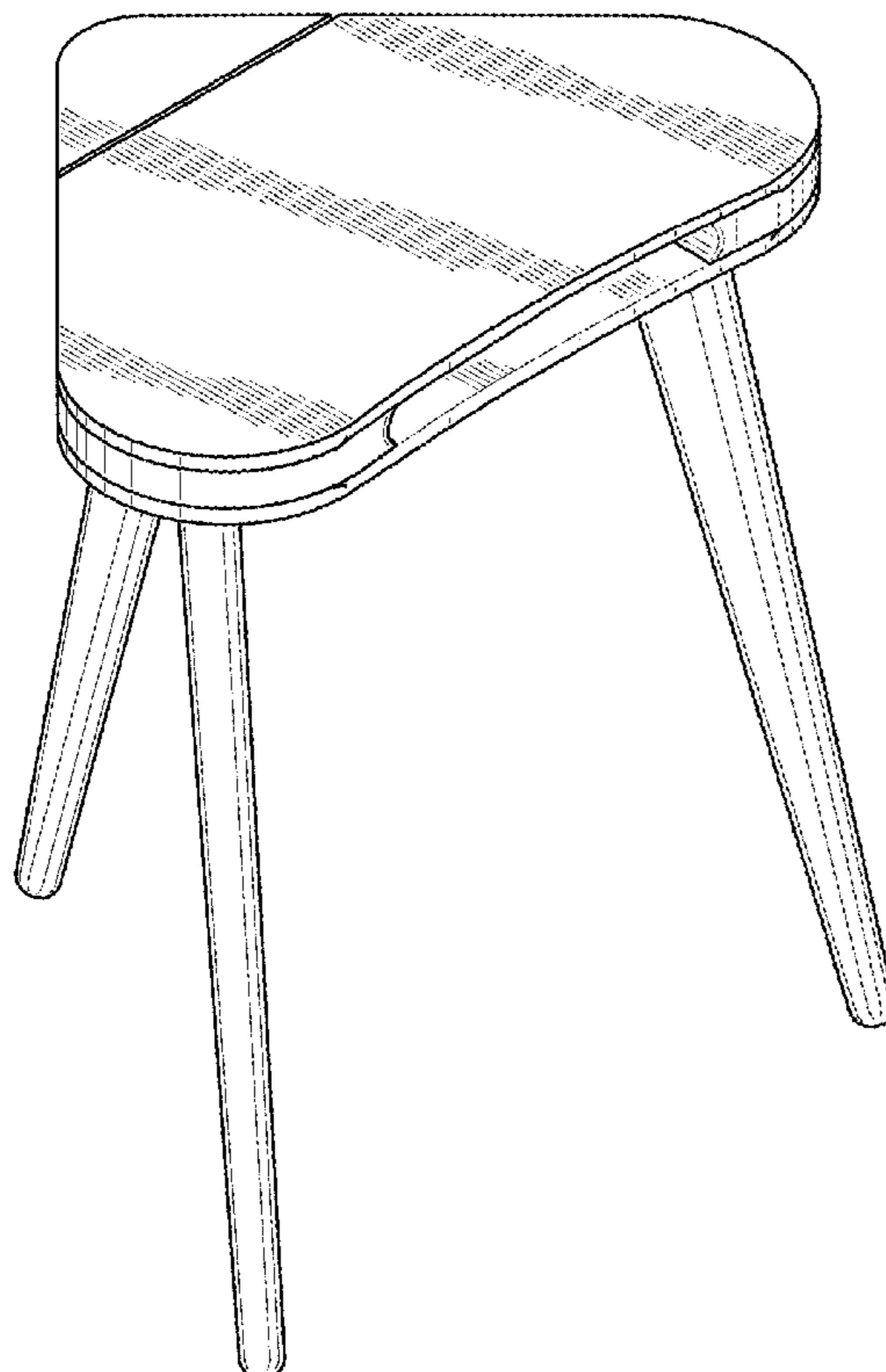


FIG. 1

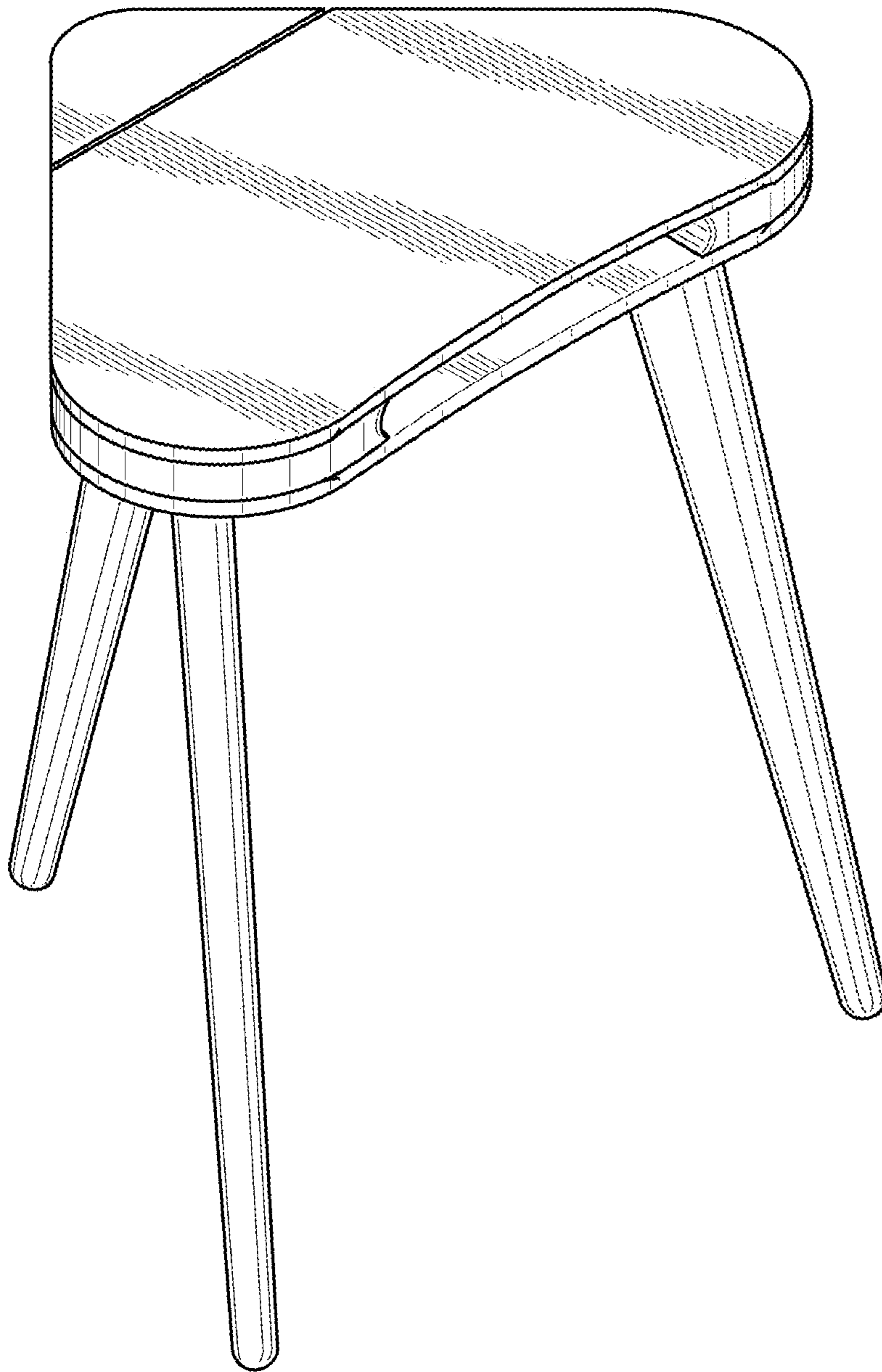


FIG. 2

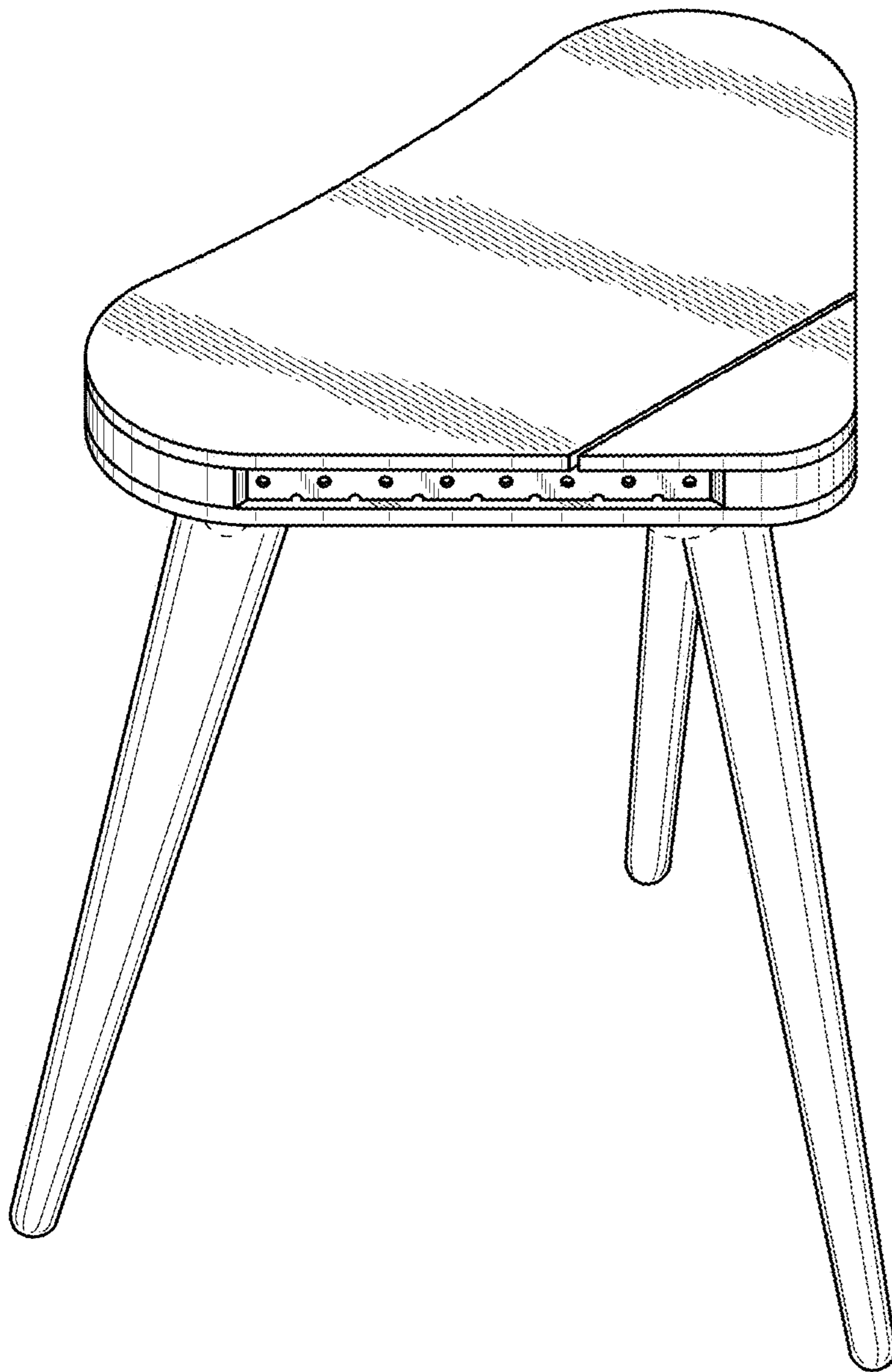


FIG. 3

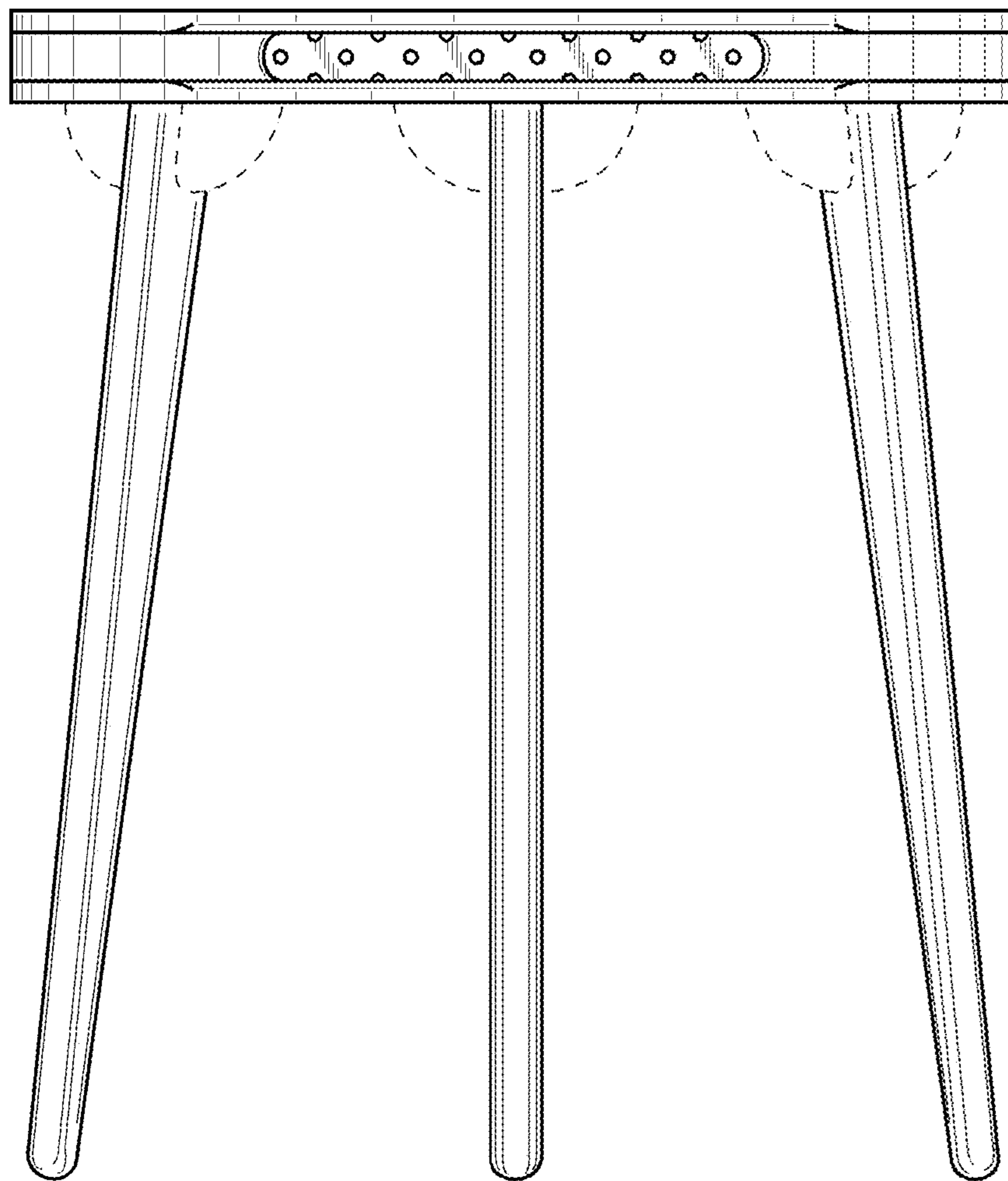


FIG. 4

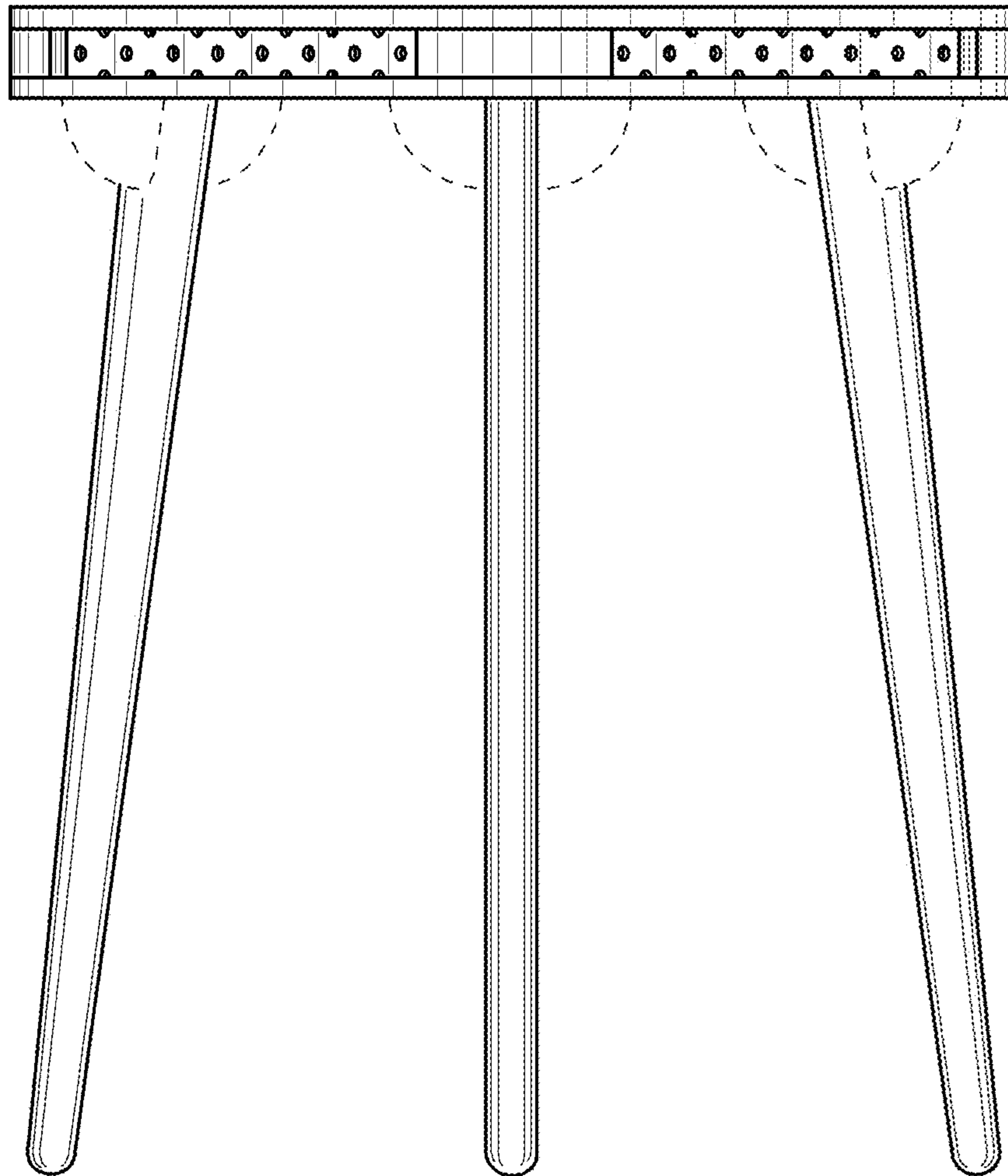


FIG. 5

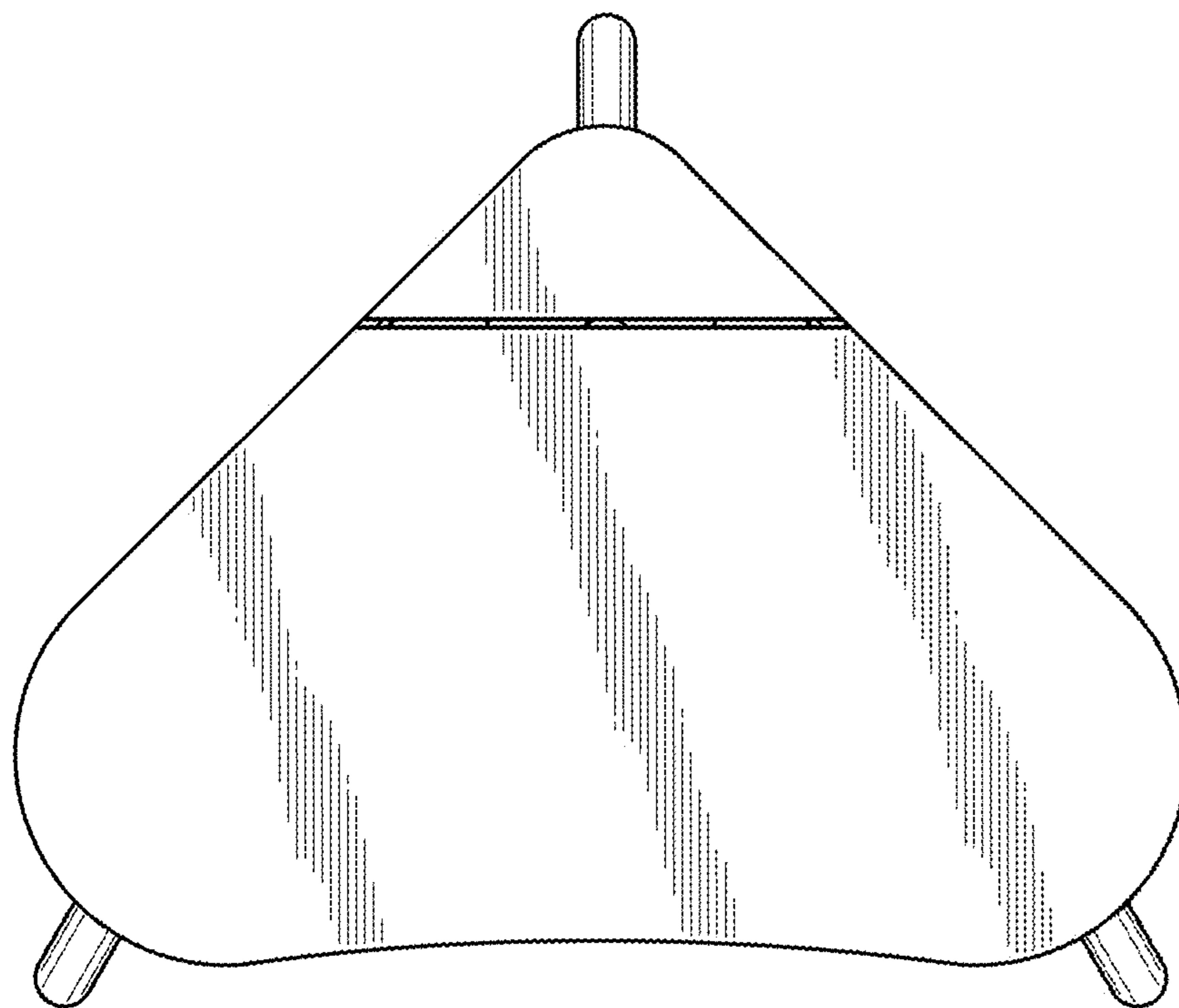


FIG. 6

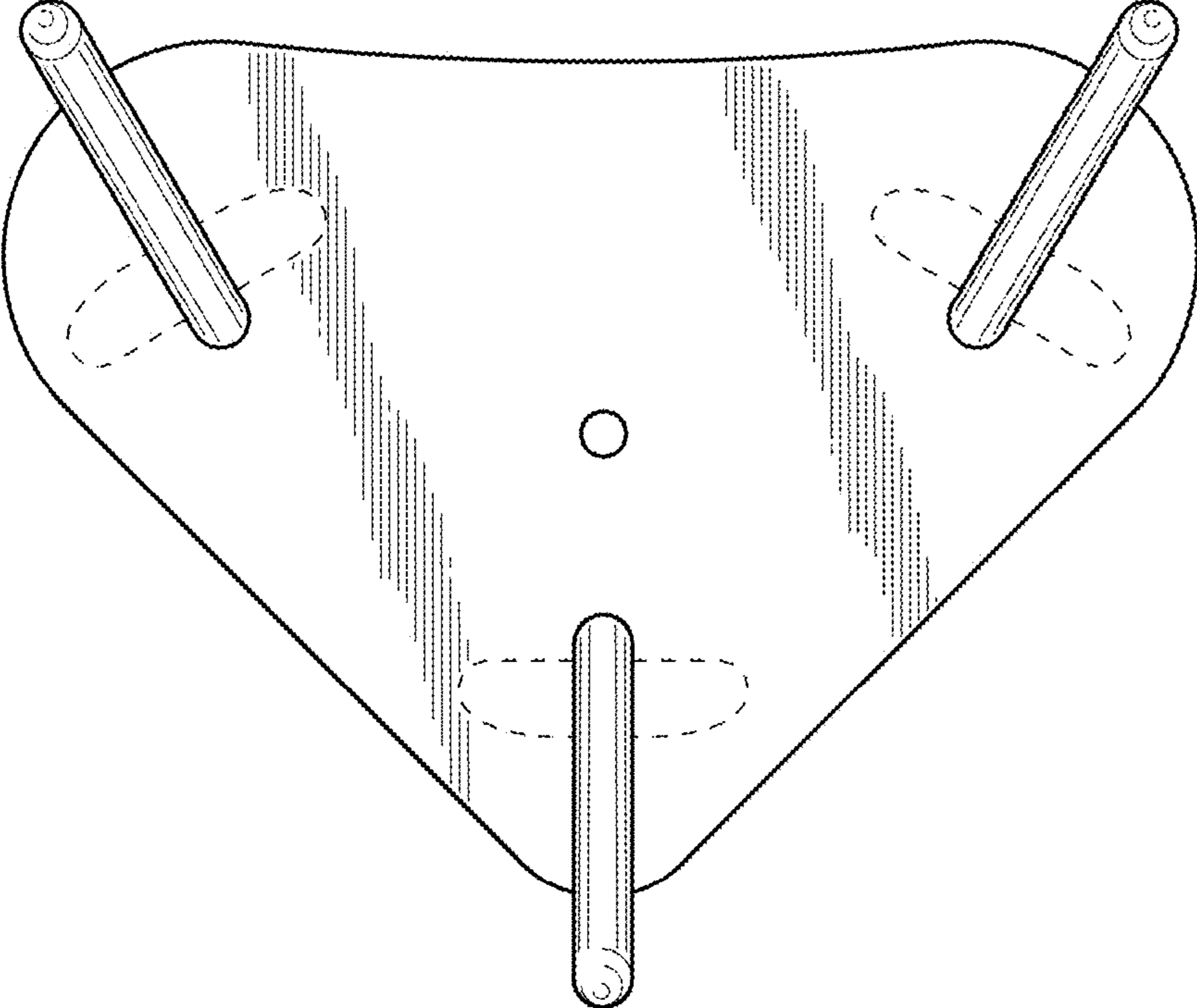


FIG. 7

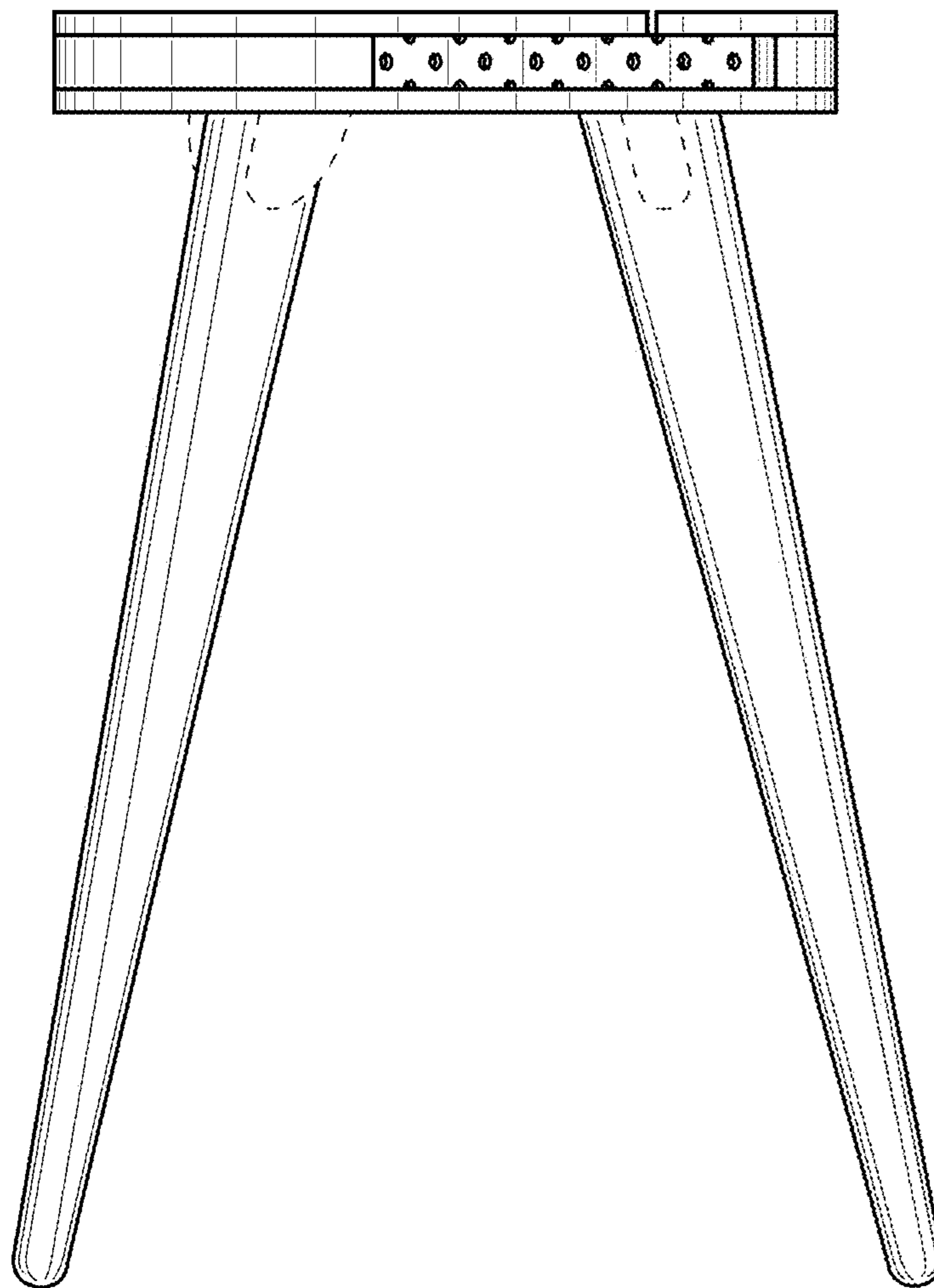


FIG. 8

