

US00D966009S

(12) **United States Design Patent**  
**Chen**

(10) **Patent No.:** **US D966,009 S**

(45) **Date of Patent:** **\*\* Oct. 11, 2022**

(54) **STORAGE RACK**

(71) Applicant: **Qifan Chen**, Yiyang (CN)

(72) Inventor: **Qifan Chen**, Yiyang (CN)

(\*\*) Term: **15 Years**

(21) Appl. No.: **29/796,164**

(22) Filed: **Jun. 23, 2021**

(51) **LOC (13) Cl.** ..... **23-02**

(52) **U.S. Cl.**  
USPC ..... **D6/525**

(58) **Field of Classification Search**  
USPC ..... D6/524-525, 566, 536, 540, 567, 570;  
211/13.1, 74, 71.01, 86.01, 75, 88.01,  
211/90.01, 90.03, 106, 119, 126.1, 133.5,  
211/181.1, 134  
CPC ..... A47K 3/281; A47K 3/28; A47B 45/00;  
A47B 96/025; A47F 5/0093  
See application file for complete search history.

D568,657 S \* 5/2008 Snider ..... A47K 3/281  
D6/525

D572,061 S \* 7/2008 Snider ..... A47K 3/281  
D6/525

D572,062 S \* 7/2008 Snider ..... A47K 3/281  
D6/525

D575,087 S \* 8/2008 Ghiorghie ..... A47K 3/281  
D6/525

D603,198 S \* 11/2009 Guindi ..... A47K 3/281  
D6/525

D628,000 S \* 11/2010 Lindo ..... A47K 3/281  
D6/525

D630,035 S \* 1/2011 Snider ..... A47K 3/281  
D6/525

(Continued)

**OTHER PUBLICATIONS**

Amazon.com, Kadolina Bathroom Hanging Shower Organizer, Feb. 15, 2021, <https://www.amazon.com/Kadolina-Bathroom-Organizer-Rustproof-Stainless/dp/B08TMK8H35/> (Year: 2021).\*

*Primary Examiner* — Nathan M Johnston

(56) **References Cited**

**U.S. PATENT DOCUMENTS**

D446,670 S \* 8/2001 Emery ..... D6/525

D473,411 S \* 4/2003 Walker ..... D6/525

D479,073 S \* 9/2003 Snell ..... A47K 3/281  
D6/525

D479,074 S \* 9/2003 Snell ..... A47K 3/281  
D6/525

D492,138 S 6/2004 Dardashti

D512,861 S \* 12/2005 Rosen ..... A47K 3/281  
D6/525

D552,391 S \* 10/2007 Rosen ..... A47K 3/281  
D6/525

D564,271 S \* 3/2008 Snider ..... A47K 3/281  
D6/525

D564,816 S \* 3/2008 Snider ..... A47K 3/281  
D6/525

D566,439 S \* 4/2008 Dretzka ..... A47K 3/281  
D6/525

(57) **CLAIM**

The ornamental design for a storage rack, as shown and described.

**DESCRIPTION**

FIG. 1 is a perspective view of a storage rack showing my new design;

FIG. 2 is another perspective view thereof;

FIG. 3 is a front elevational view thereof;

FIG. 4 is a rear elevational view thereof;

FIG. 5 is a left side elevational view thereof;

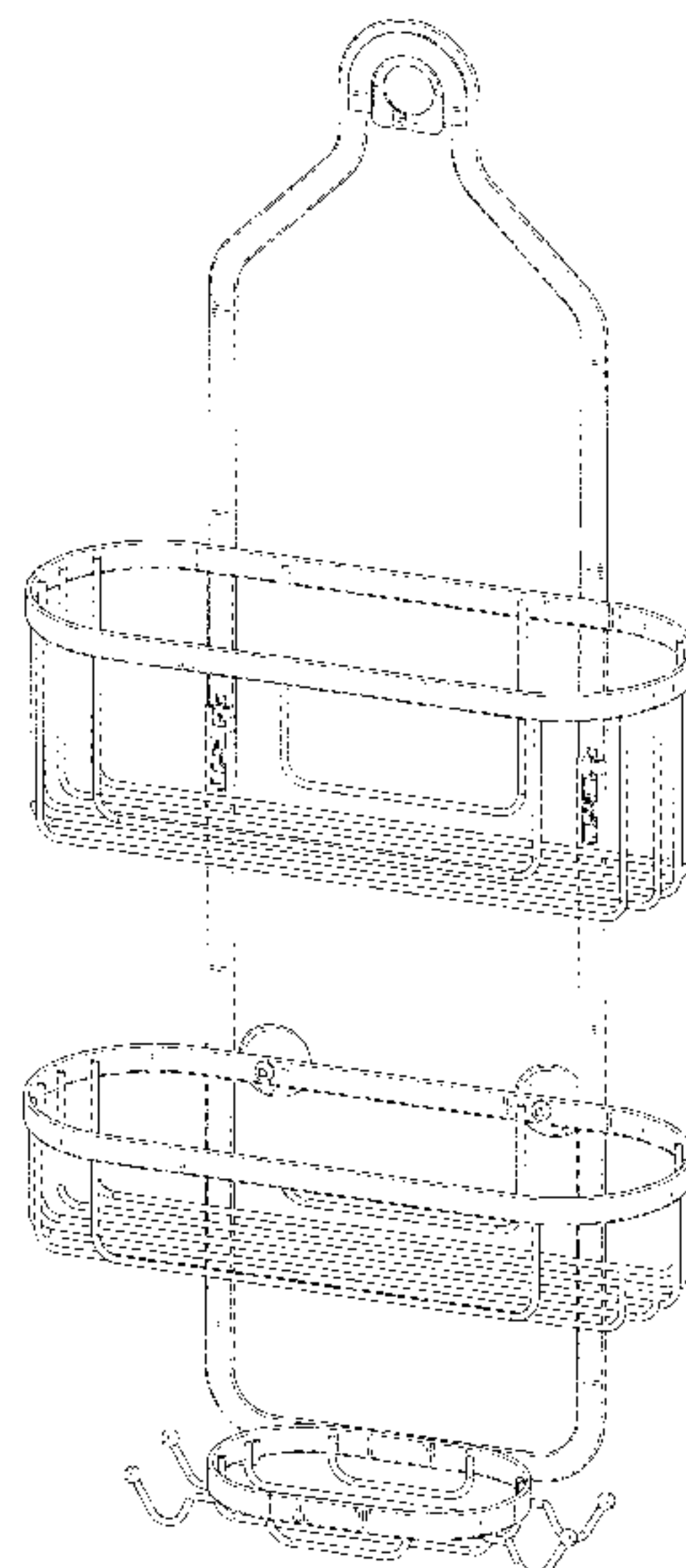
FIG. 6 is a right side elevational view thereof;

FIG. 7 is a top plan view thereof;

FIG. 8 is a bottom plan view thereof; and,

FIG. 9 is an exploded perspective view of the storage rack.

**1 Claim, 9 Drawing Sheets**



(56)

**References Cited**

U.S. PATENT DOCUMENTS

D632,513 S \* 2/2011 Cittadino ..... A47K 3/281  
D647,747 S \* 11/2011 Guindi ..... D6/525  
D677,089 S \* 3/2013 Tawil ..... D6/525  
D714,571 S \* 10/2014 Walker ..... D6/525  
D718,071 S \* 11/2014 Snider ..... D6/525  
D718,554 S \* 12/2014 Snider ..... D6/525  
D723,834 S \* 3/2015 Tawil ..... D6/525  
D728,260 S \* 5/2015 Snider ..... D6/525  
D769,017 S \* 10/2016 Tsai ..... D6/525  
D858,928 S 9/2019 Cao  
2017/0215653 A1\* 8/2017 Engell ..... A47K 3/281

\* cited by examiner

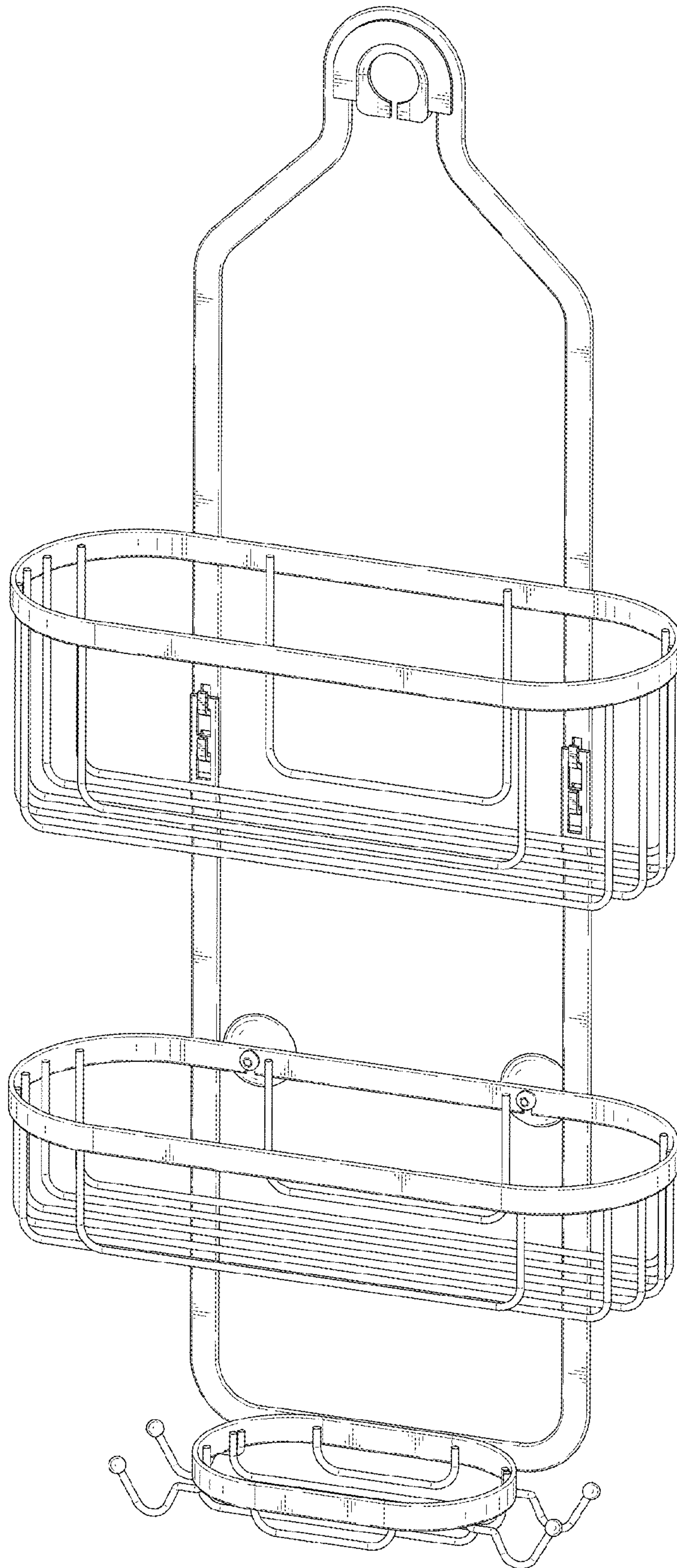


FIG. 1

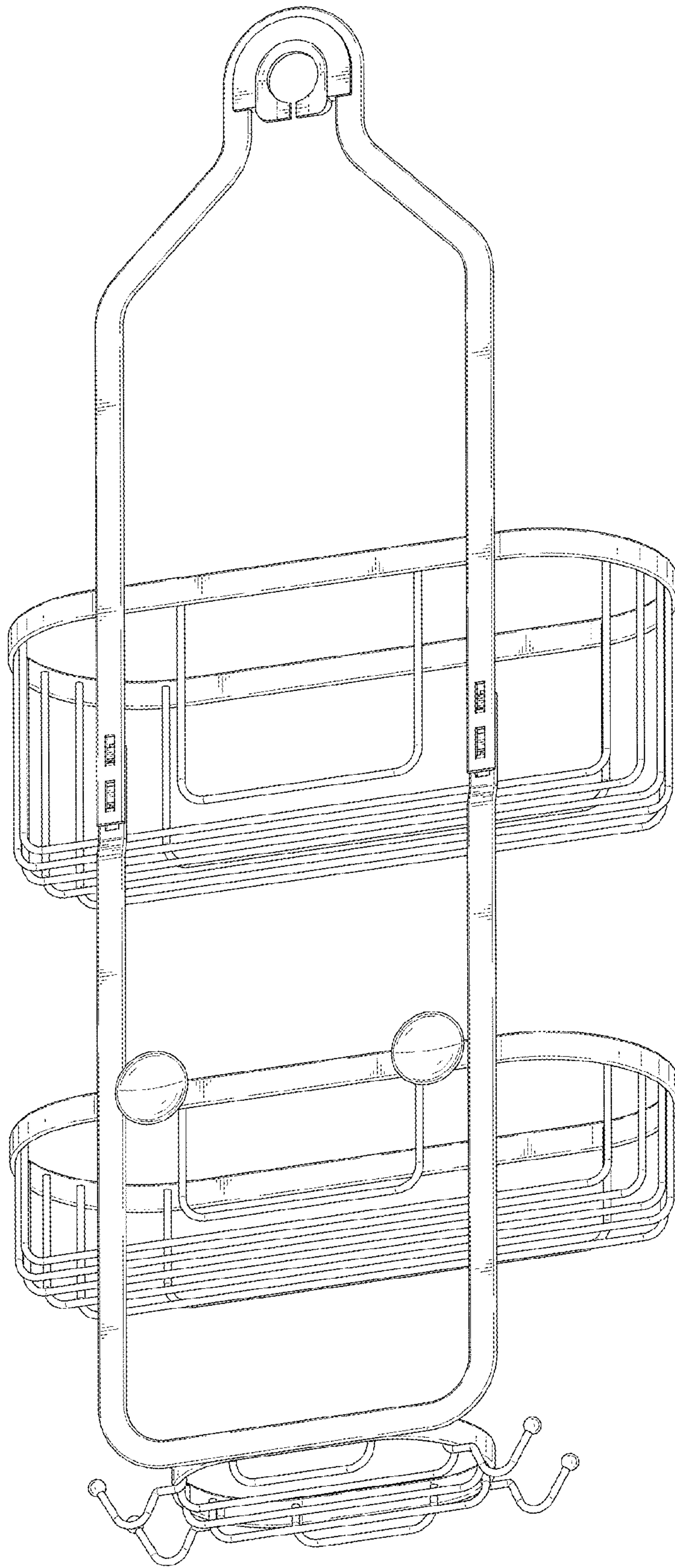


FIG. 2



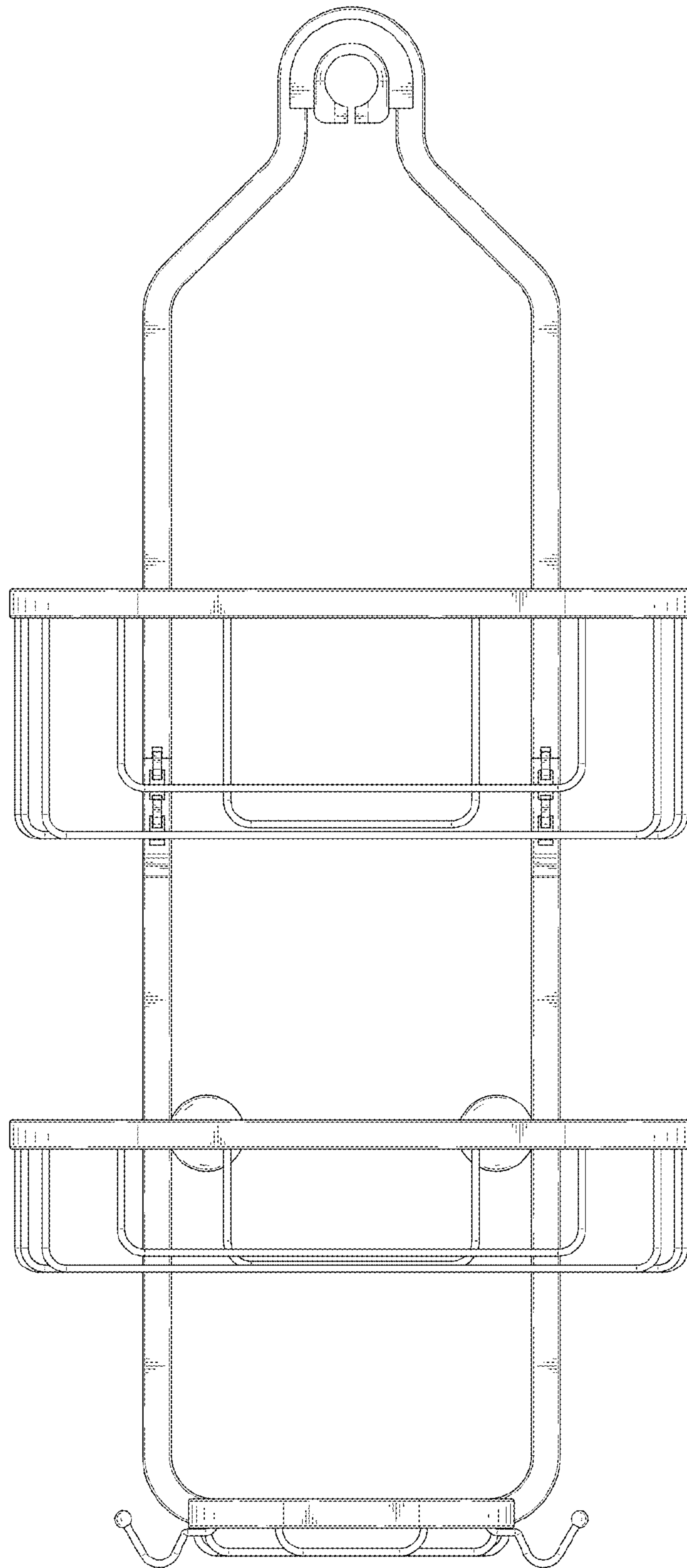


FIG. 3

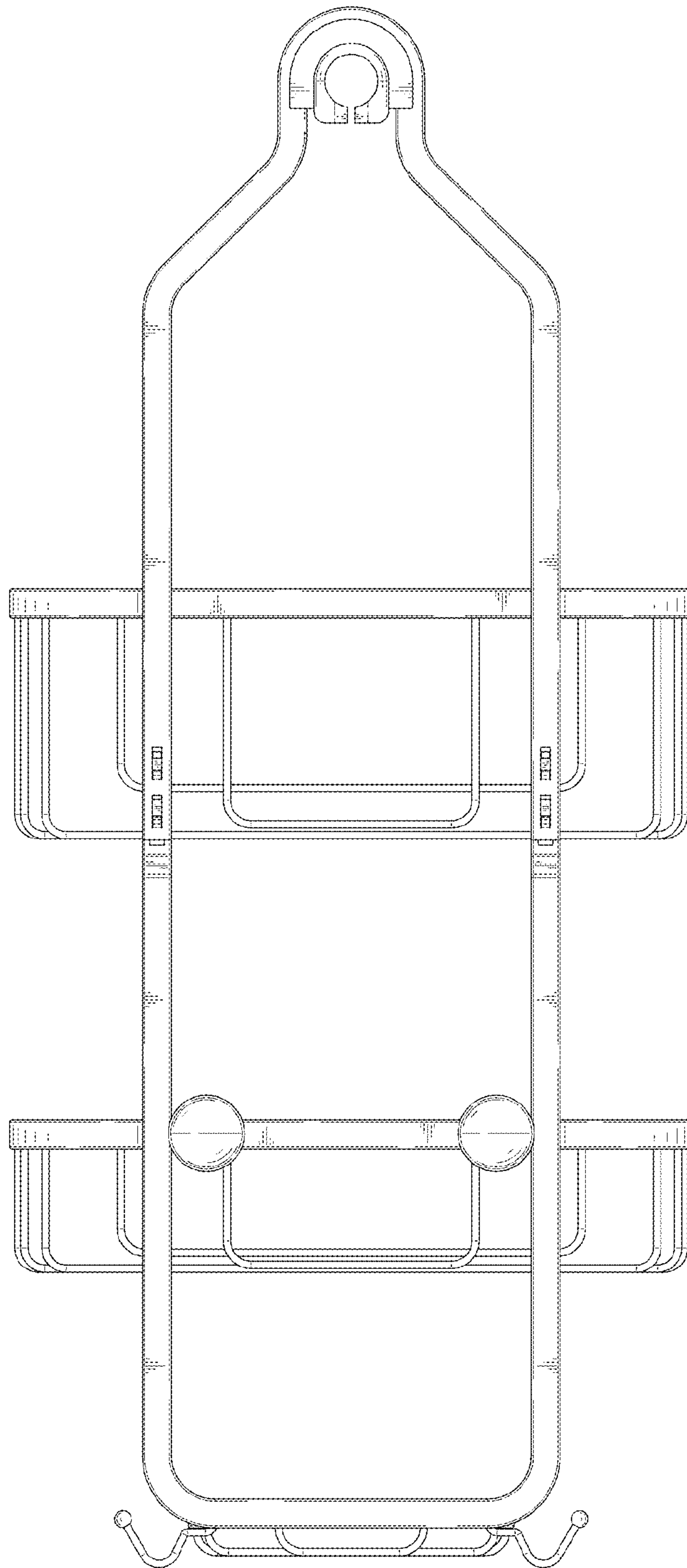


FIG. 4

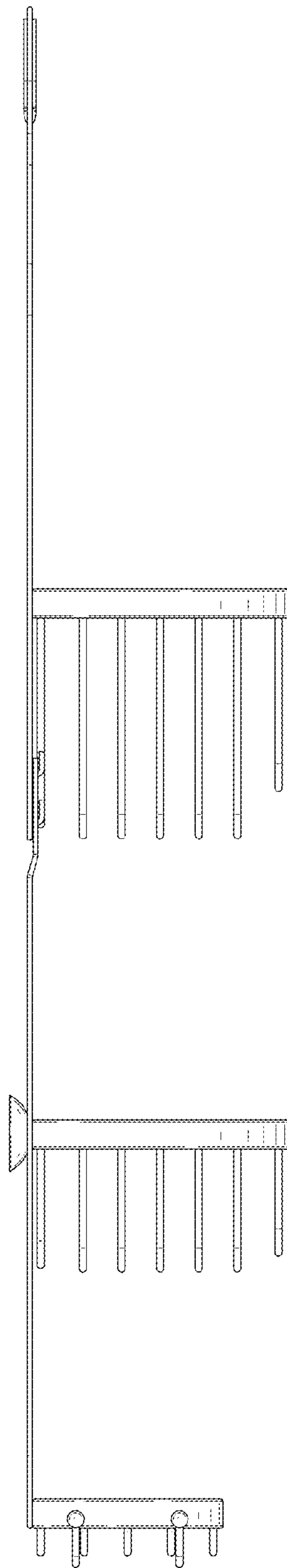


FIG. 5

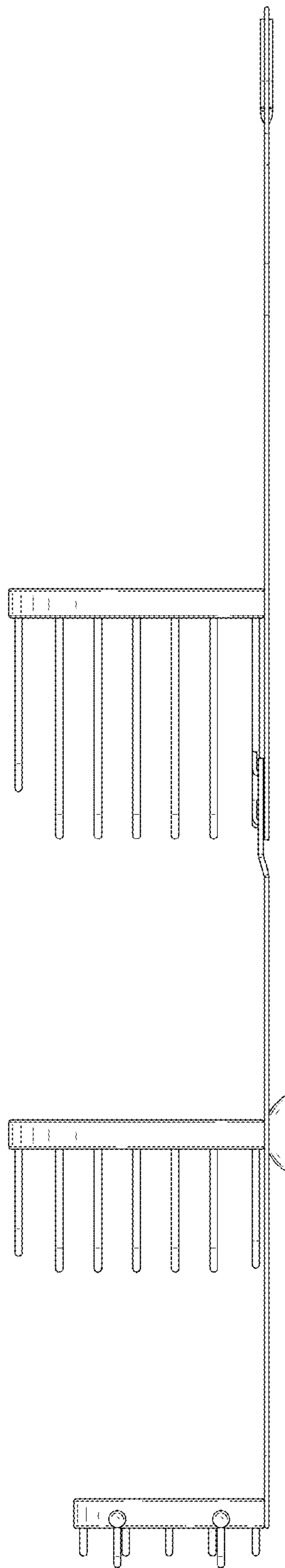


FIG. 6



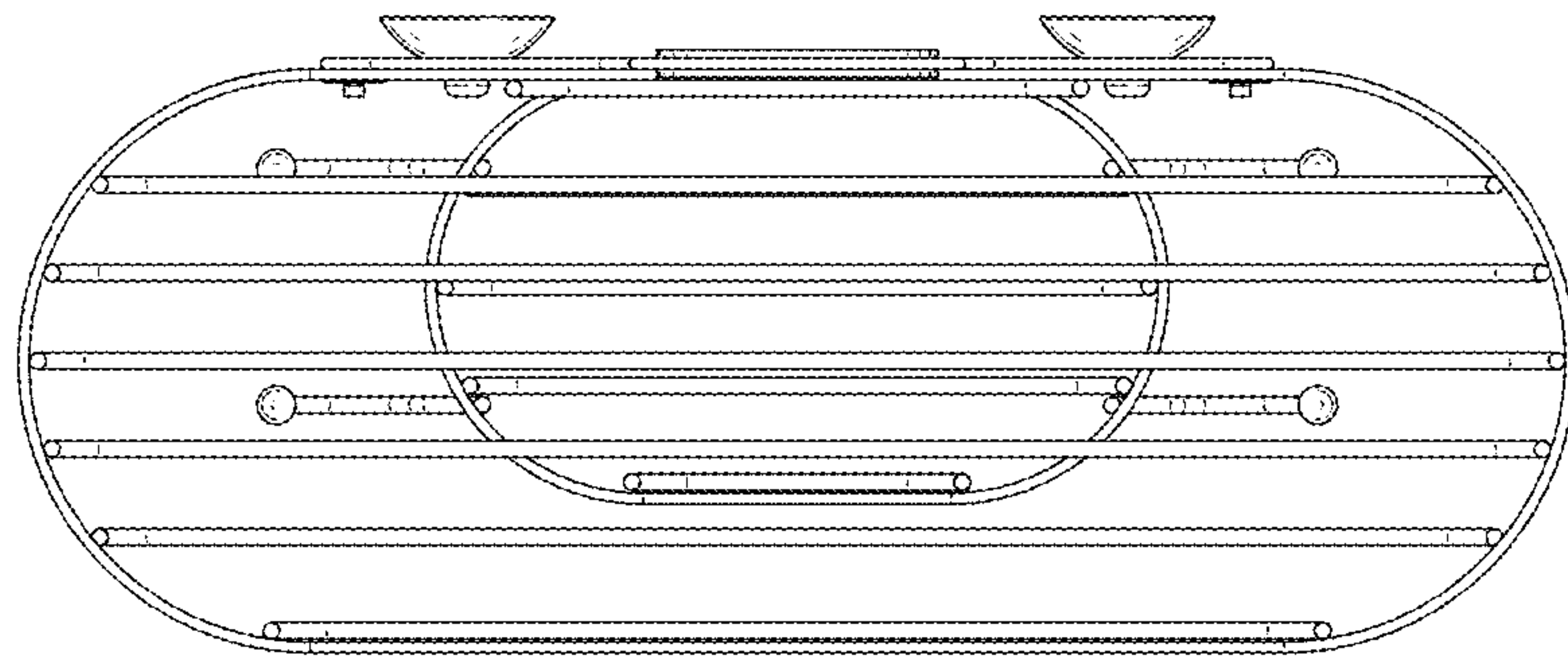


FIG. 7

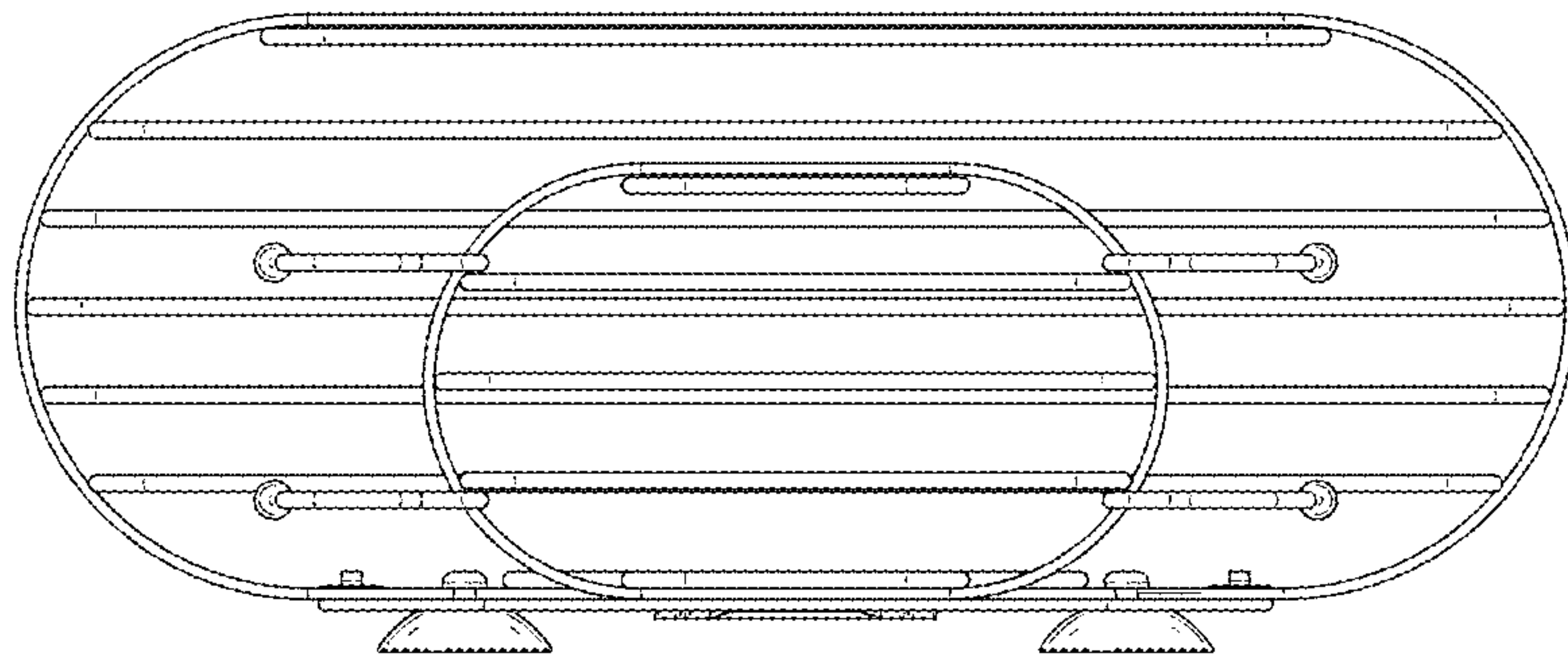


FIG. 8

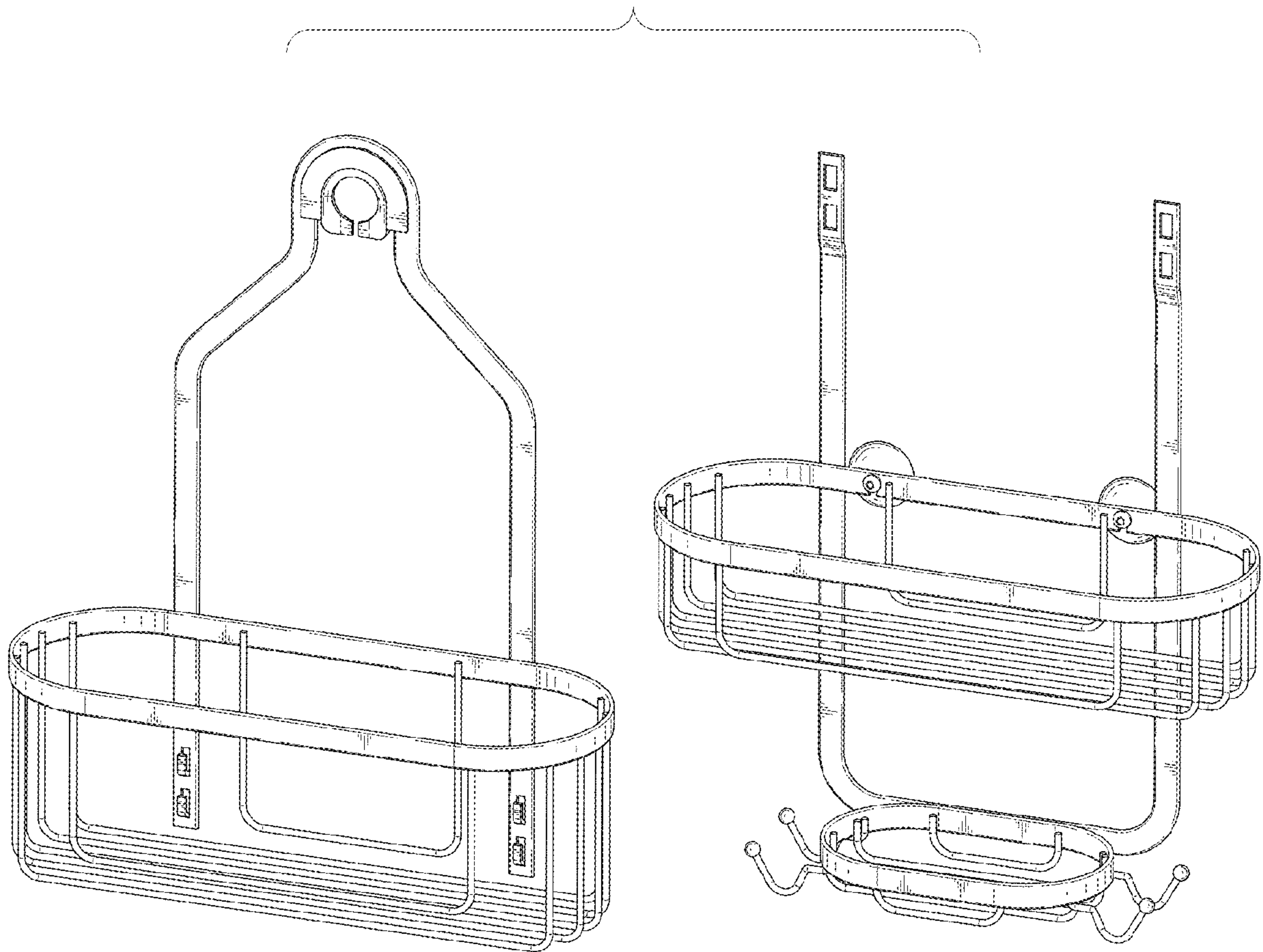


FIG. 9