



US00D966007S

(12) **United States Design Patent** (10) **Patent No.:** **US D966,007 S**
Kuo (45) **Date of Patent:** **** Oct. 11, 2022**

(54) **BATHROOM RACK**

FOREIGN PATENT DOCUMENTS

(71) Applicant: **Anthony Kuo**, Taichung (TW)

CN 306257480 * 12/2020
EM 008218986-0001 * 11/2020

(72) Inventor: **Jerry Kuo-Yung Kuo**, Taichung (TW)

(Continued)

(73) Assignee: **Anthony Kuo**, Taichung (TW)

OTHER PUBLICATIONS

(**) Term: **15 Years**

Celeste Sapphire Wall Toilet Paper Roll Holder. Celeste Designs (online) 4 pgs. Available Oct. 10, 2019. [Retrieved Jun. 1, 2022] <https://www.houzz.com/products/celeste-sapphire-wall-toilet-paper-roll-holder-brushed-nickel-stainless-steel-prvw-vr-92655683> (Year: 2019).*

(21) Appl. No.: **29/756,707**

(22) Filed: **Oct. 30, 2020**

(51) **LOC (13) Cl.** **23-08**

(52) **U.S. Cl.**

USPC **D6/523**; D6/518

(58) **Field of Classification Search**

USPC D6/512, 515, 518, 519, 520, 521, 522, D6/523, 546, 547, 549, 550; D7/631; D19/89; D8/396, 367, 399; 248/905, 248/309.1, 309.2, 250; 221/92, 45, 63, 221/34, 46, 259

CPC A47K 10/38; A47K 10/3836; A47K 10/16; A47K 10/18; A47K 10/04; A47K 10/24; A47K 10/32; A47K 10/22; A47K 2010/3253; B65H 2701/1924

See application file for complete search history.

Primary Examiner — Marie D. Fast Horse

Assistant Examiner — Jennifer Sierra Yosinski

(74) *Attorney, Agent, or Firm* — Burriss Law, PLLC

(57) **CLAIM**

The ornamental design for a bathroom rack, as shown and described.

DESCRIPTION

FIG. 1 is a perspective view of a bathroom rack showing my new design;

FIG. 2 is a front elevational view thereof;

FIG. 3 is a rear elevational view thereof;

FIG. 4 is a left side elevational view thereof;

FIG. 5 is a right side elevational view thereof;

FIG. 6 is a top plan view thereof;

FIG. 7 is a bottom plan view thereof; and,

FIG. 8 is a right side elevational view of the design in a state of use.

The evenly dotted broken lines depict portions of a bathroom rack in which the design is embodied that form no part of the claimed design.

The dash-dot broken lines are for illustrating environment structure only and form no part of the claimed design.

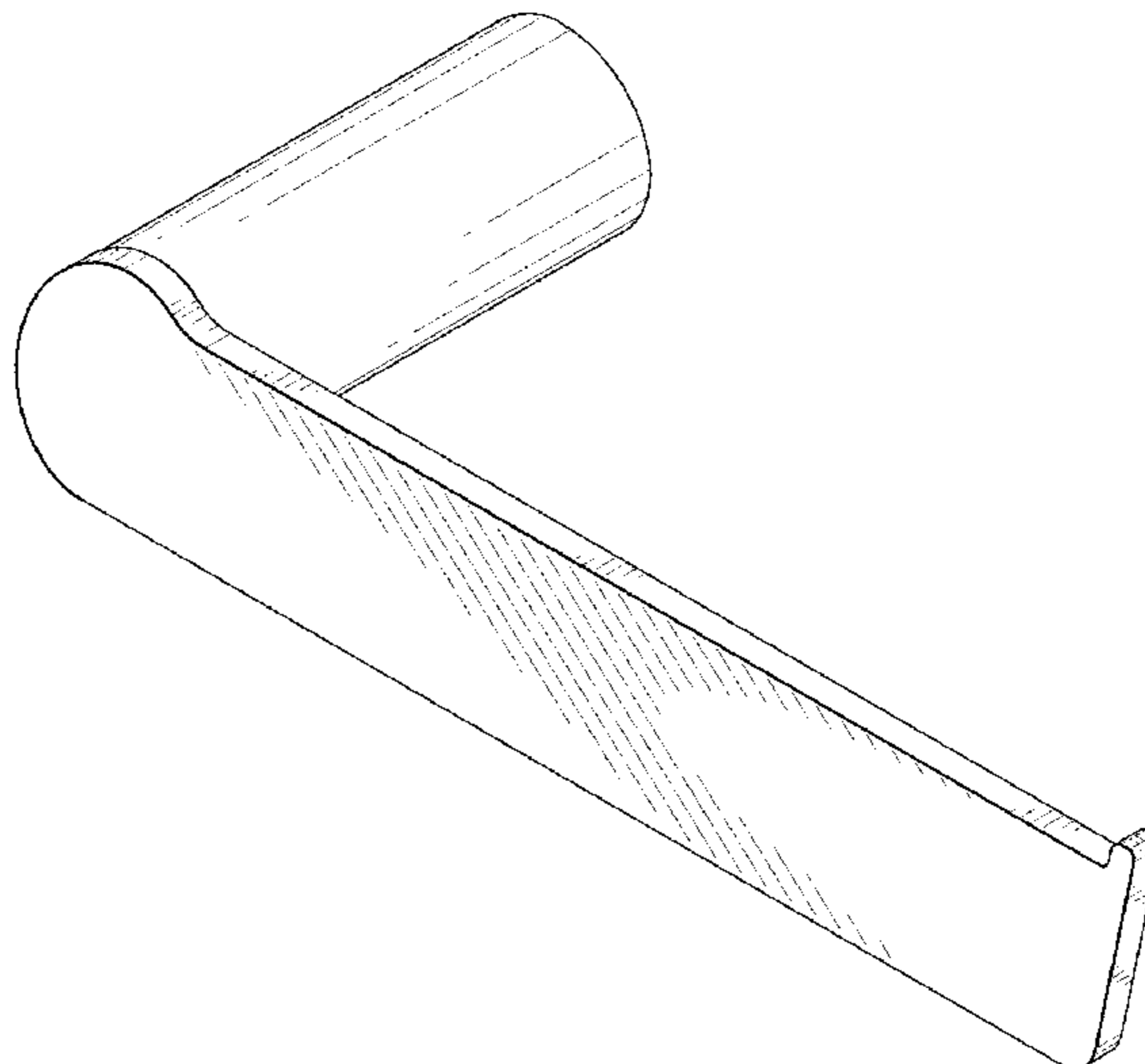
(56) **References Cited**

U.S. PATENT DOCUMENTS

D155,897 S * 11/1949 Huntington 248/309.2
D277,347 S * 1/1985 Thompson D6/523
D446,979 S * 8/2001 Schultz D6/522
D455,587 S * 4/2002 Ou-Young D6/523
D477,167 S * 7/2003 Hoernig D6/523
D486,681 S * 2/2004 Hoernig D6/523
D540,593 S * 4/2007 Hoernig D6/523
D550,489 S * 9/2007 Williams D6/523
D718,839 S * 12/2014 Garland D23/252
D771,405 S * 11/2016 Garland D6/523
D790,874 S * 7/2017 Eads D6/523
D909,542 S * 2/2021 Seum D23/252
D911,735 S * 3/2021 Spangler D6/523

(Continued)

1 Claim, 8 Drawing Sheets



(56)

References Cited

U.S. PATENT DOCUMENTS

D916,491 S * 4/2021 Chen D6/522
D951,673 S * 5/2022 Liu D6/522

FOREIGN PATENT DOCUMENTS

GB 9008218986-0001 * 10/2020
JP D1692839 * 8/2021
TW 216699-0001 * 1/2022

* cited by examiner

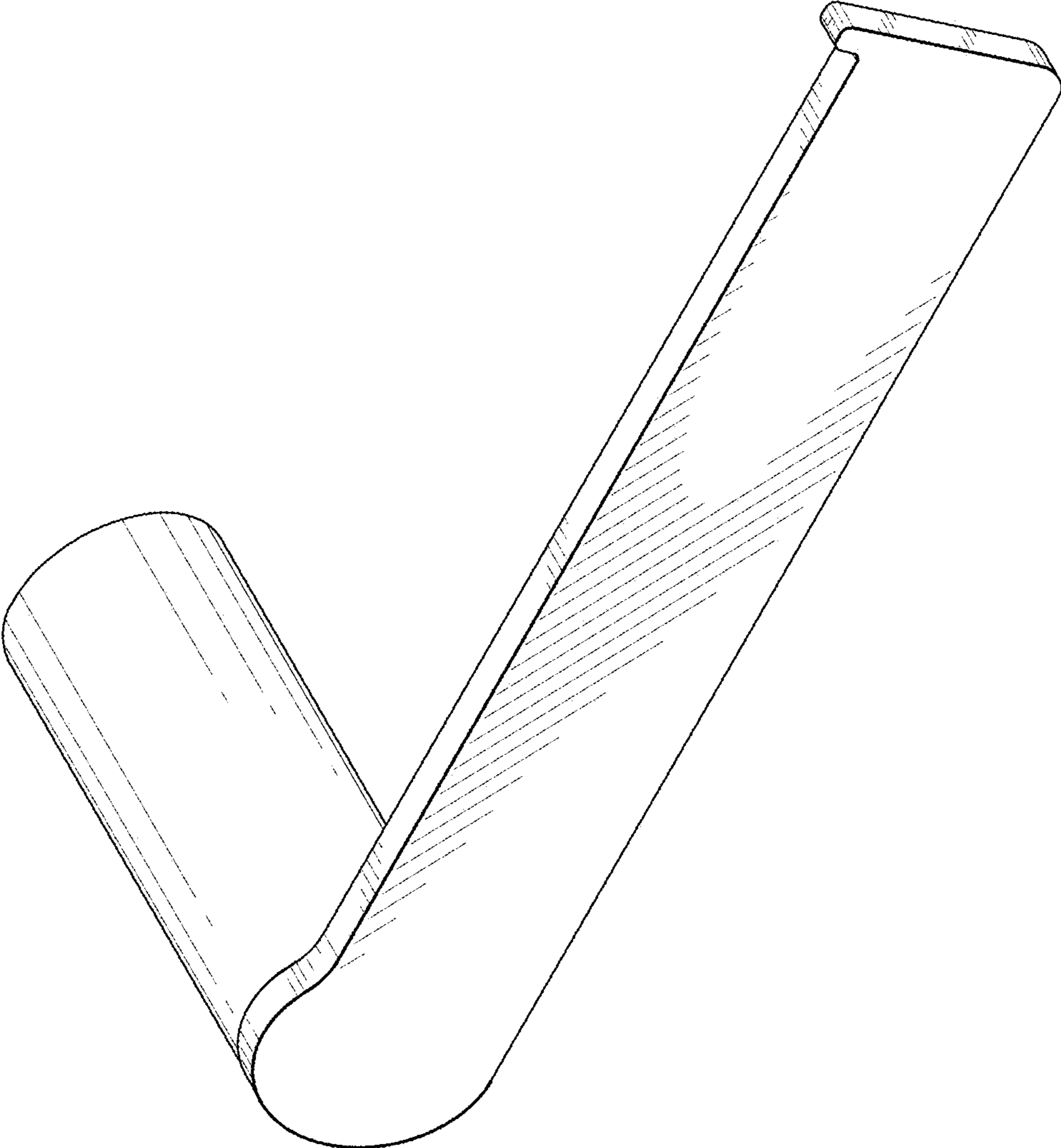


FIG.1

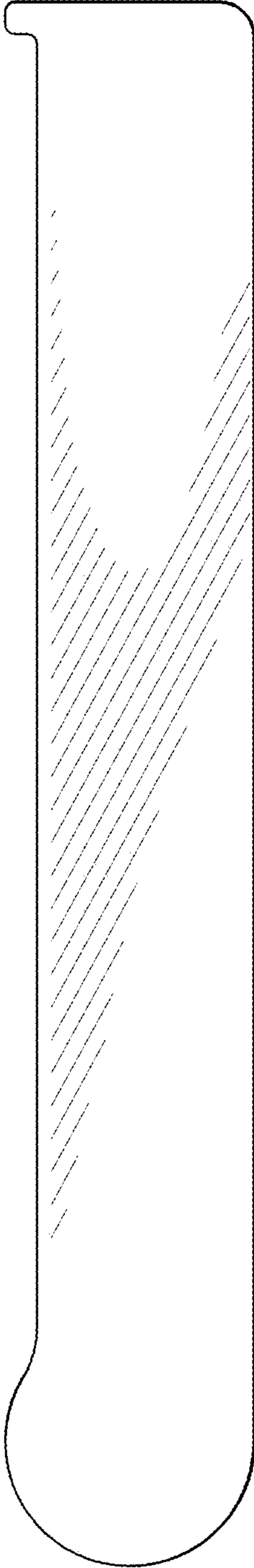


FIG.2

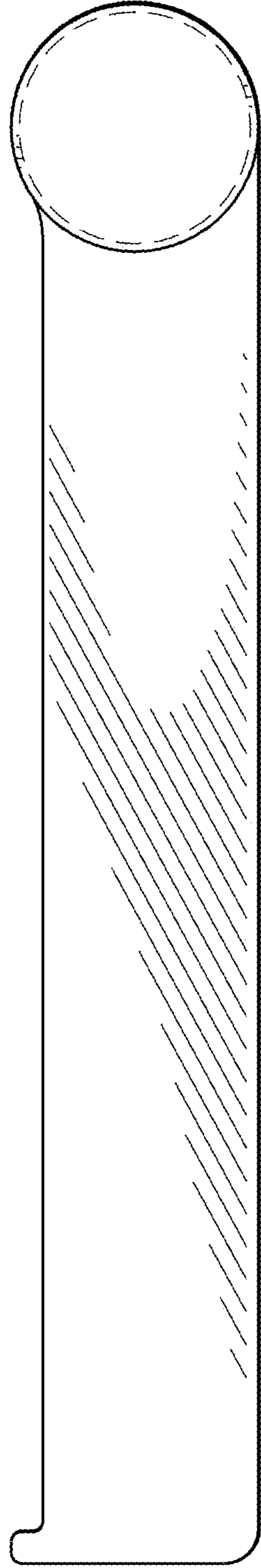


FIG.3

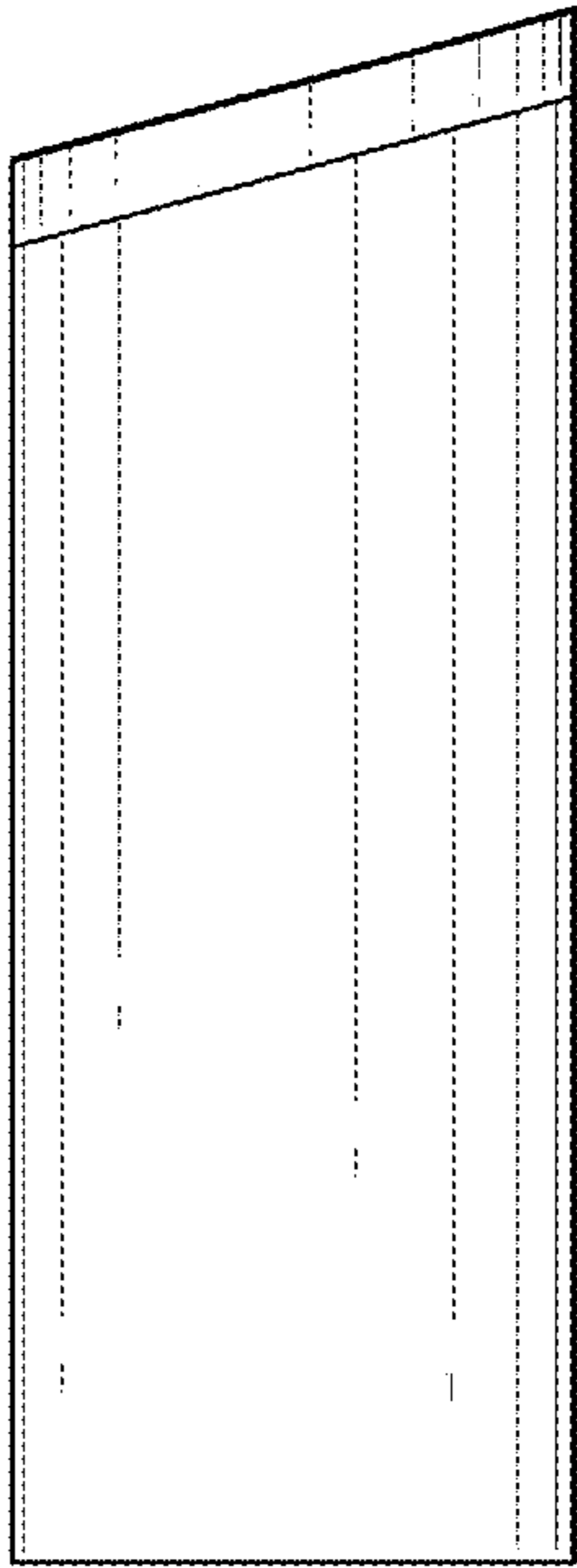


FIG.4

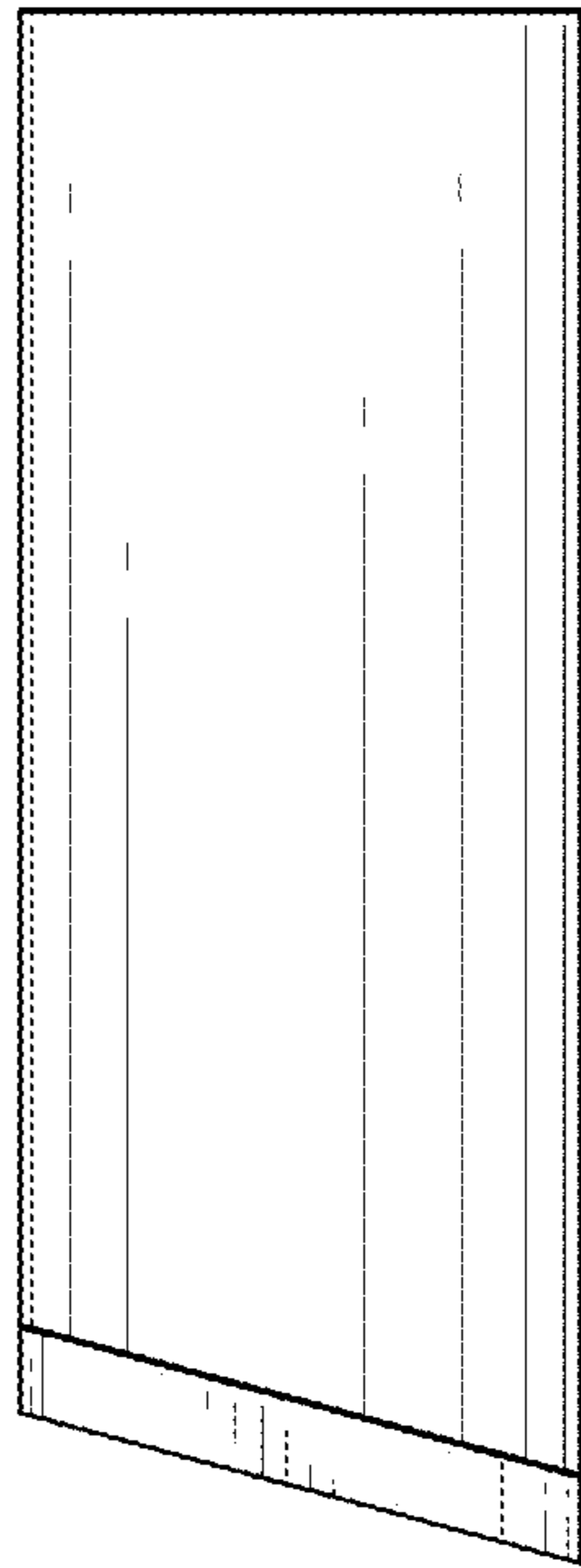


FIG.5

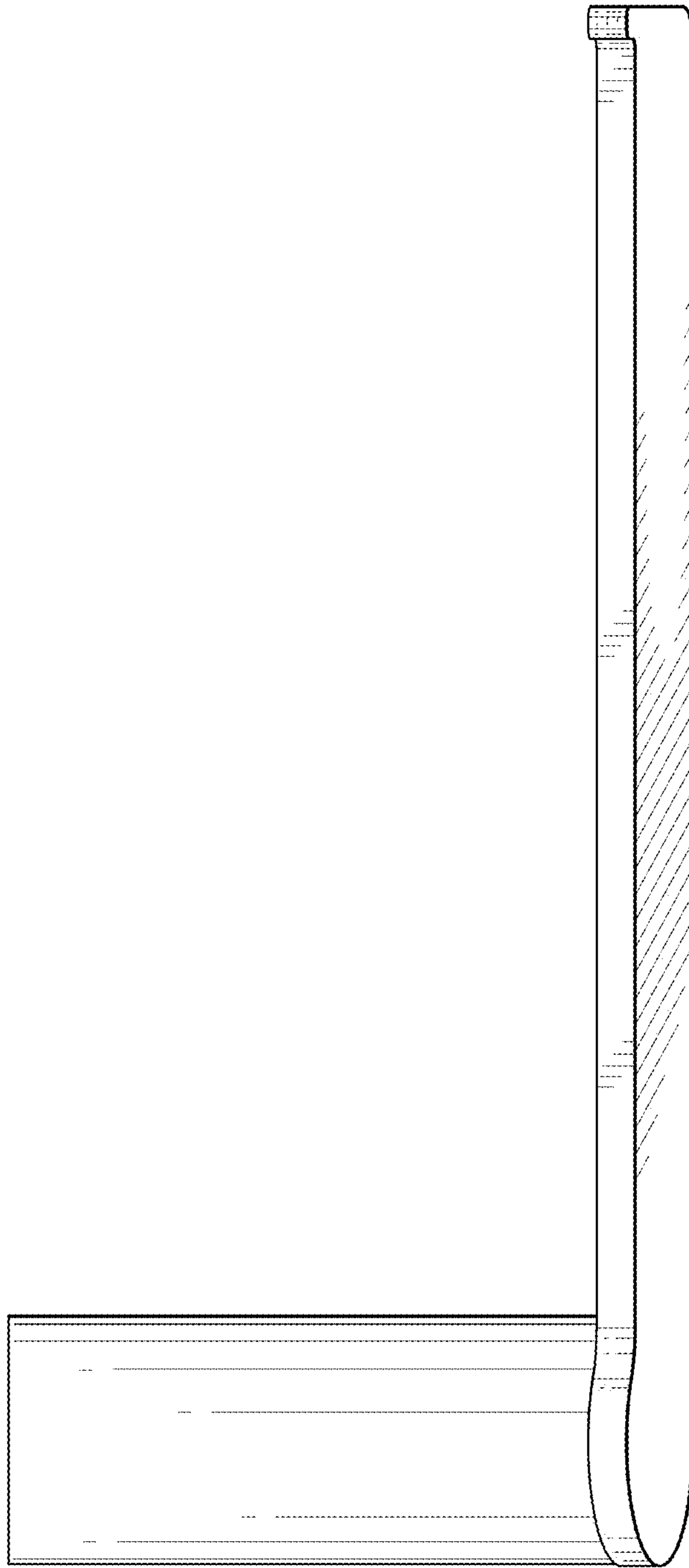


FIG. 6

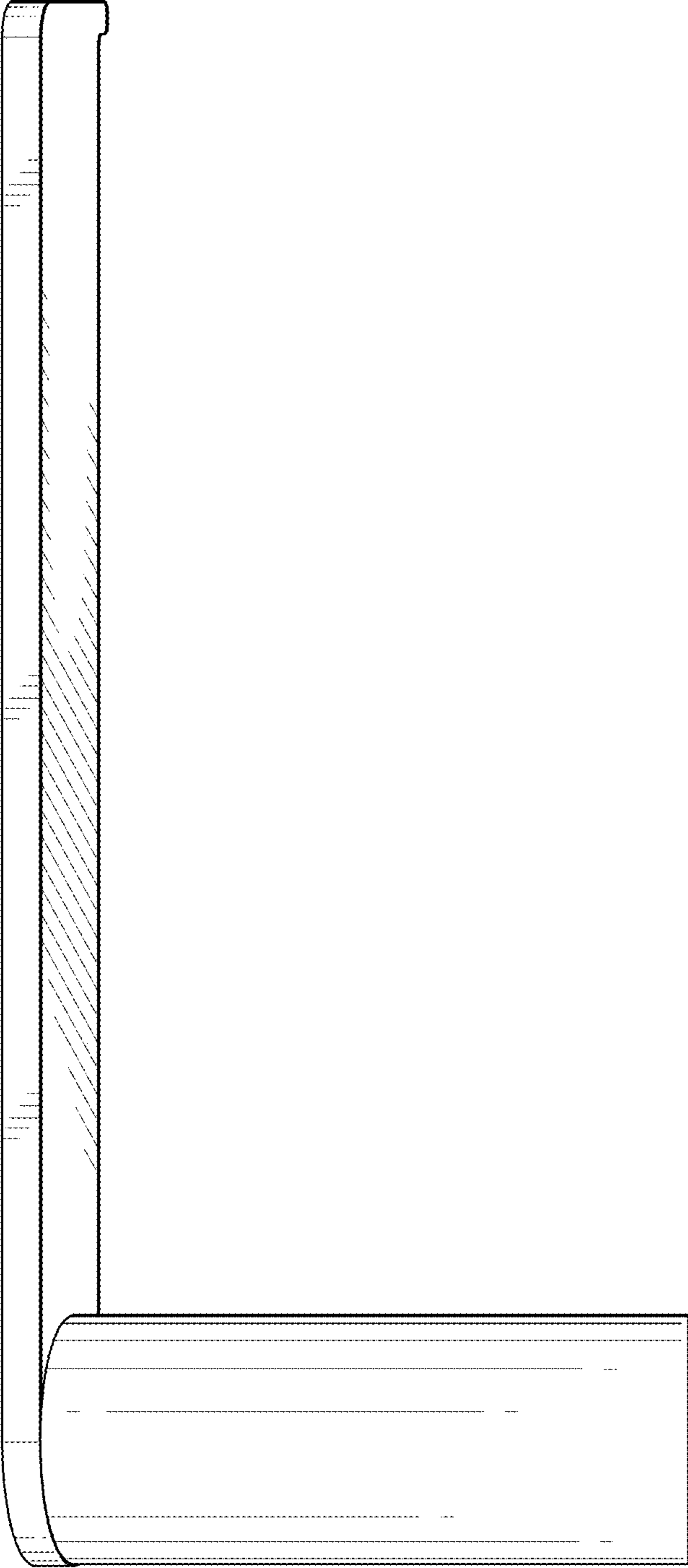


FIG. 7

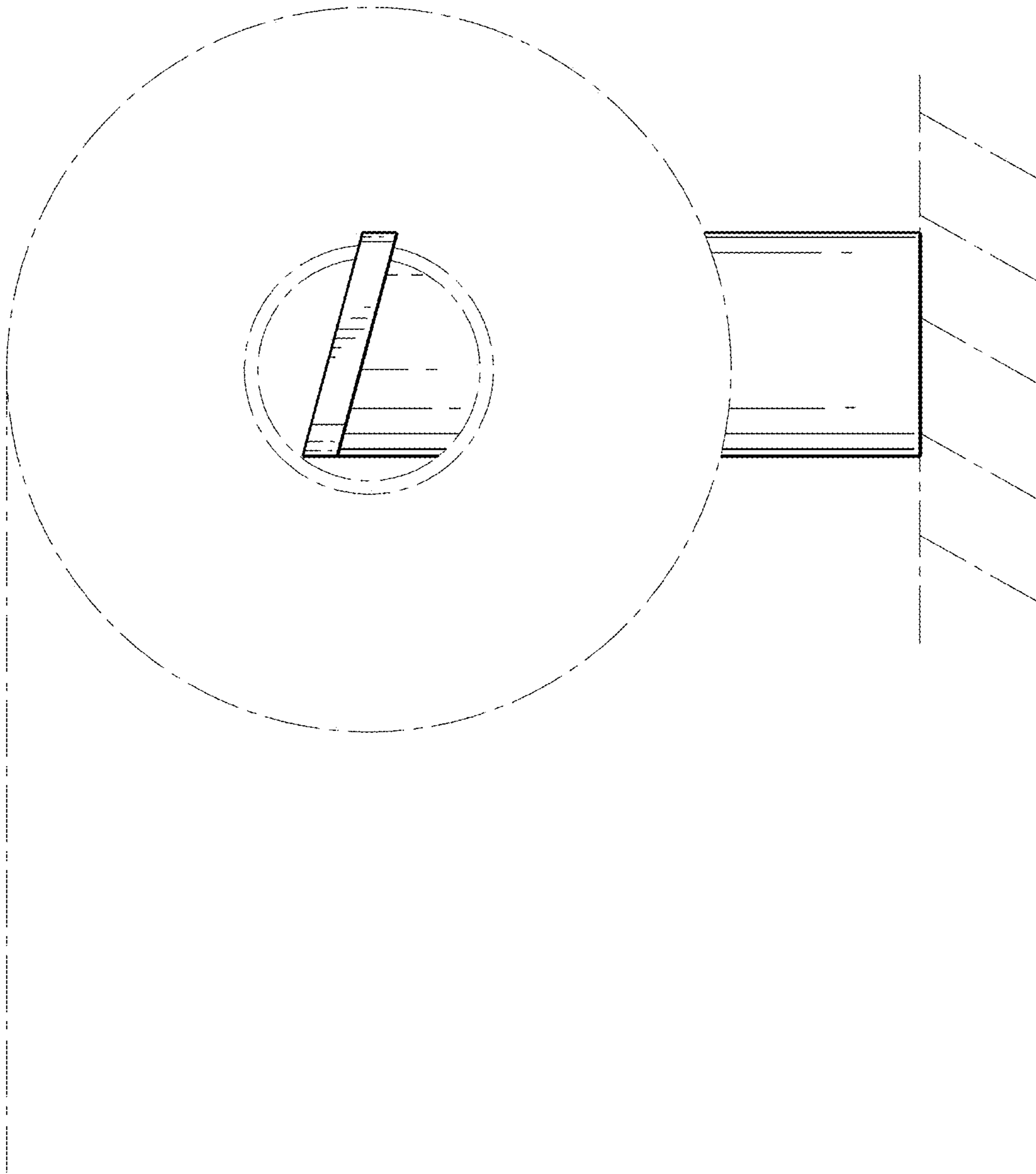


FIG.8