



US00D966004S

(12) **United States Design Patent** (10) **Patent No.:** **US D966,004 S**
Yuglich (45) **Date of Patent:** **** *Oct. 11, 2022**

(54) **CHAIR**

(71) Applicant: **Maximillian Yuglich**, Houston, TX
(US)

(72) Inventor: **Maximillian Yuglich**, Houston, TX
(US)

(*) Notice: This patent is subject to a terminal disclaimer.

(**) Term: **15 Years**

(21) Appl. No.: **29/763,685**

(22) Filed: **Dec. 23, 2020**

(51) **LOC (13) Cl.** **06-01**

(52) **U.S. Cl.**
USPC **D6/374**

(58) **Field of Classification Search**
USPC D6/369, 370, 379, 375, 372, 716.4, 371,
D6/374, 334, 381, 717, 360, 380, 716
CPC A47C 1/124; A47C 3/025; A47C 3/18;
A47C 3/12; A47C 3/34; A47C 4/028;
A47C 4/02; A47C 5/12; A47C 5/125;
A47C 5/02; A47C 5/06; A47C 5/08;
A47C 7/445; A47C 7/443; A47C 7/60;
A47C 7/506; A47C 9/007; A47C 13/005;
A47C 13/023; A47C 31/003; A47C
31/008; A47C 31/113; A47C 31/02; A47B
85/04; B60R 2/0284; B60R 2/062; B60R
22/001; B60R 22/24; B60R 22/28; B60R
22/58; B60R 22/64; B60R 22/68; B60R
22/80; B60R 22/99; B60R 22/245; B60R
22/643; B60R 22/646; B60R 22/665;
B60R 22/686; B60R 22/688; B60R
22/803; B60R 22/986; B60R 22/914;
B60R 22/995

See application file for complete search history.

(56) **References Cited**

U.S. PATENT DOCUMENTS

D158,508 S * 5/1950 Saarinen D6/374
D190,955 S * 7/1961 Galloway D6/374

D547,957 S * 8/2007 Muller D6/360
D609,035 S * 2/2010 Muller D6/716
D659,424 S * 5/2012 Gramza D6/380
D660,028 S * 5/2012 Rode D6/360
D660,041 S * 5/2012 Rode D6/374
D661,918 S * 6/2012 Ciani D6/375
D730,100 S * 5/2015 Kubryk D6/716
D736,534 S * 8/2015 Stania D6/374
D800,465 S * 10/2017 Ono D6/360
D800,466 S * 10/2017 Ono D6/360

(Continued)

OTHER PUBLICATIONS

“Hassen Side Chair” Feb. 27, 2018, wayfair.com, site visited Feb. 10, 2022 <https://www.wayfair.com/Wade-Logan%C2%AE--Hassen-Side-Chair-X114576239-L168-K-W003465128.html?refid=GX528897189976-W003465128_1123152737&device=c&ptid=946485446812&network=g&targetid=aud-352581794606:pla-946485446812&channel=GooglePLA&ireid=87973725&fdid=1817&PiID%5B%5D=1123152737&gclid=EAIAIqobChMI2-qak6j29QIVQ-DIC0B7wUXEAsYASABEgl2u_D_BwE> (Year: 2018).*

Primary Examiner — Paul D Bohannon
(74) *Attorney, Agent, or Firm* — Bushman Werner, P.C.

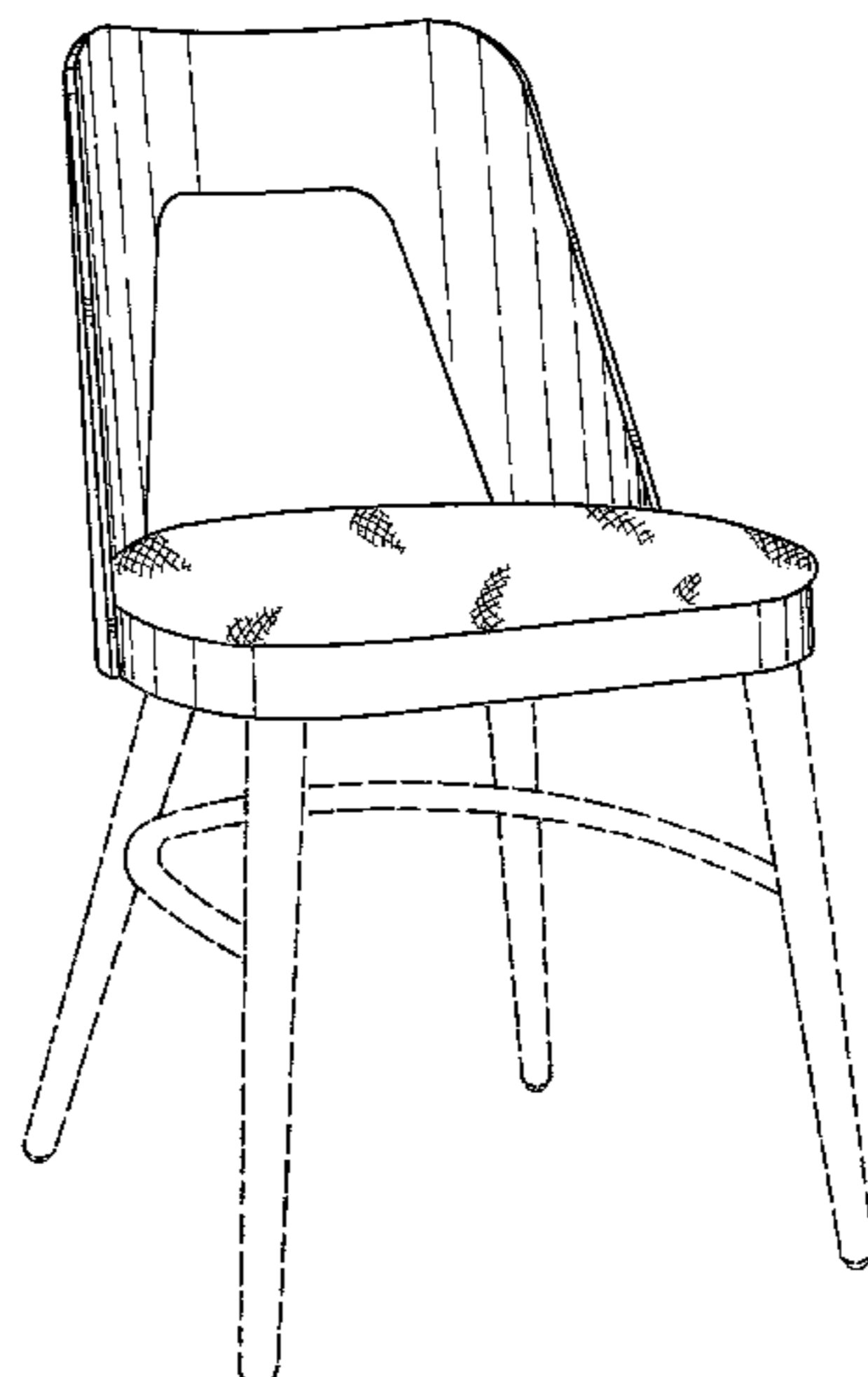
(57) **CLAIM**

The ornamental design for a chair, as shown and described.

DESCRIPTION

FIG. 1 is a perspective view of the chair showing the claimed design.
FIG. 2 is a side, elevational view of the chair of FIG. 1. The opposite side is a mirror image and thus is not provided in a separate figure.
FIG. 3 is a front, elevational view of the chair of FIG. 1.
FIG. 4 is a rear, elevational view of the chair shown in FIG. 1.
FIG. 5 is a top plan view of the chair shown in FIG. 1; and, FIG. 6 is a bottom view of the chair shown in FIG. 1.

(Continued)



The broken lines shown in the drawings are included for the purpose of illustrating portions of the article that form no part of the claimed design.

1 Claim, 6 Drawing Sheets

(56)

References Cited

U.S. PATENT DOCUMENTS

D805,797	S	*	12/2017	Toffoloni	D6/380
D834,345	S	*	11/2018	Yuglich	D6/374
D834,847	S	*	12/2018	Yuglich	D6/374
D845,021	S	*	4/2019	Bray	D6/375
D850,138	S	*	6/2019	Taraba	D6/380
D879,496	S	*	3/2020	Velez	D6/380
D899,119	S	*	10/2020	Velez	D6/360
D907,389	S	*	1/2021	Morrison	D6/374
D907,390	S	*	1/2021	Morrison	D6/374
2021/0186218	A1	*	6/2021	Guichard	A47C 7/44

* cited by examiner

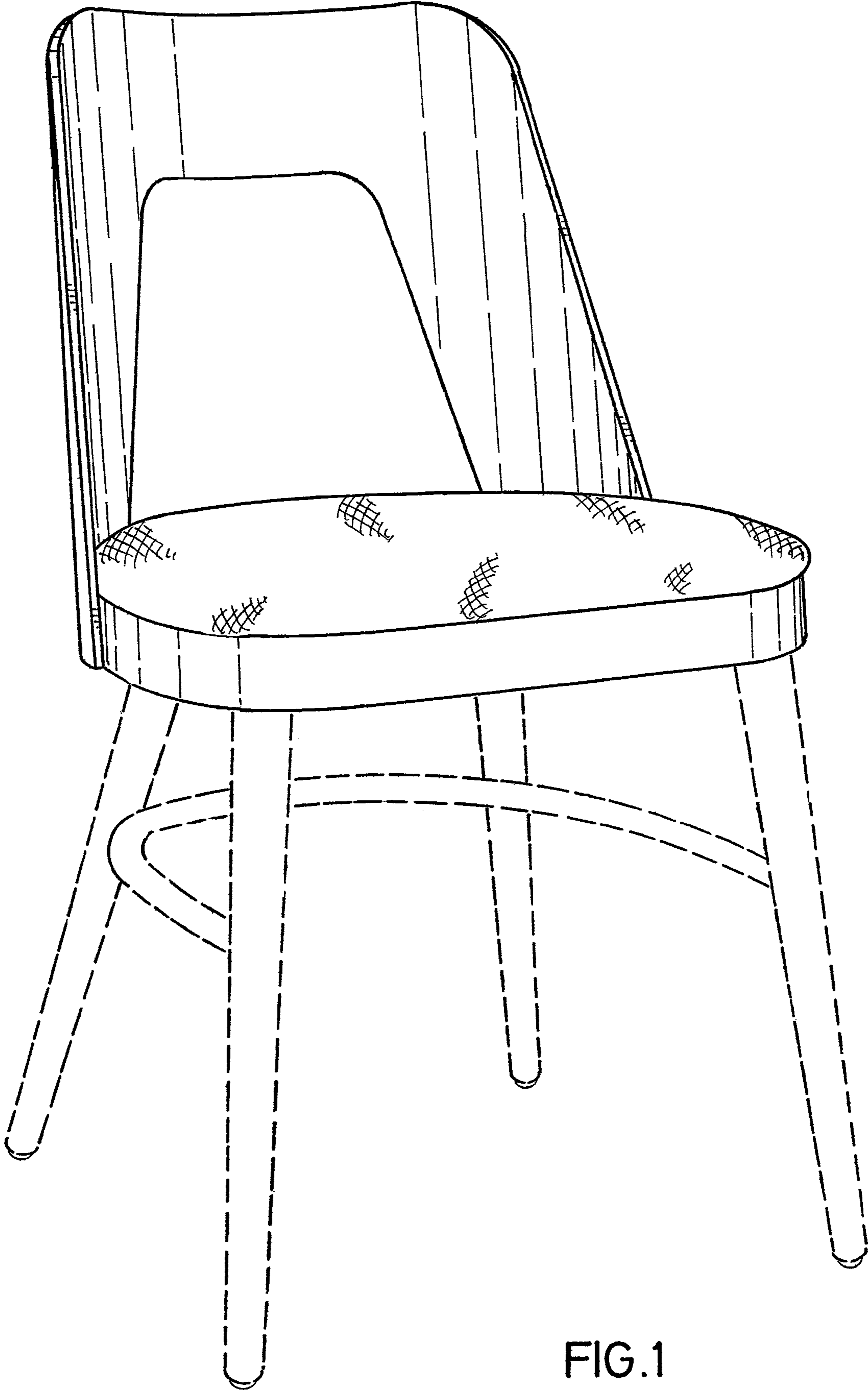
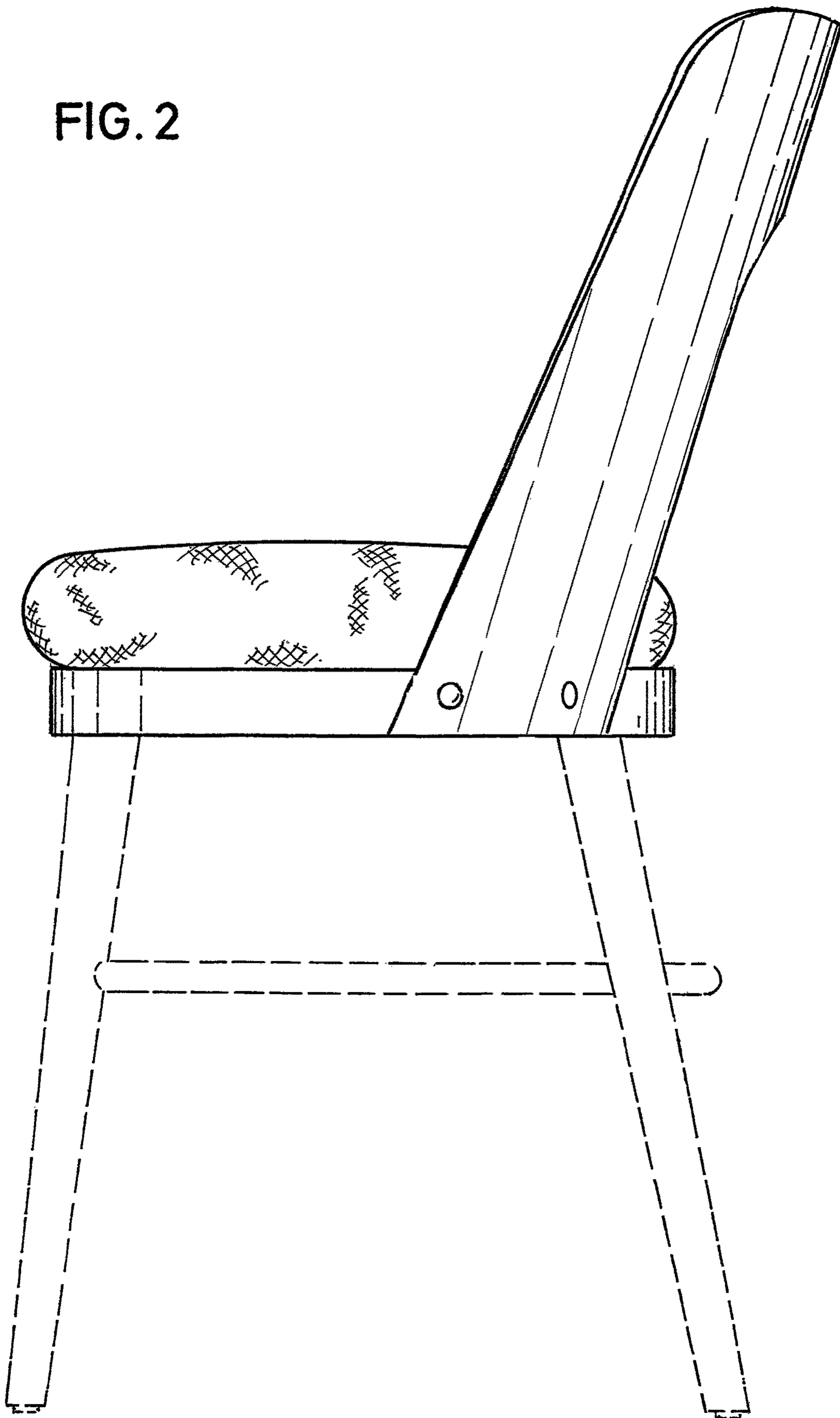


FIG. 1

FIG. 2



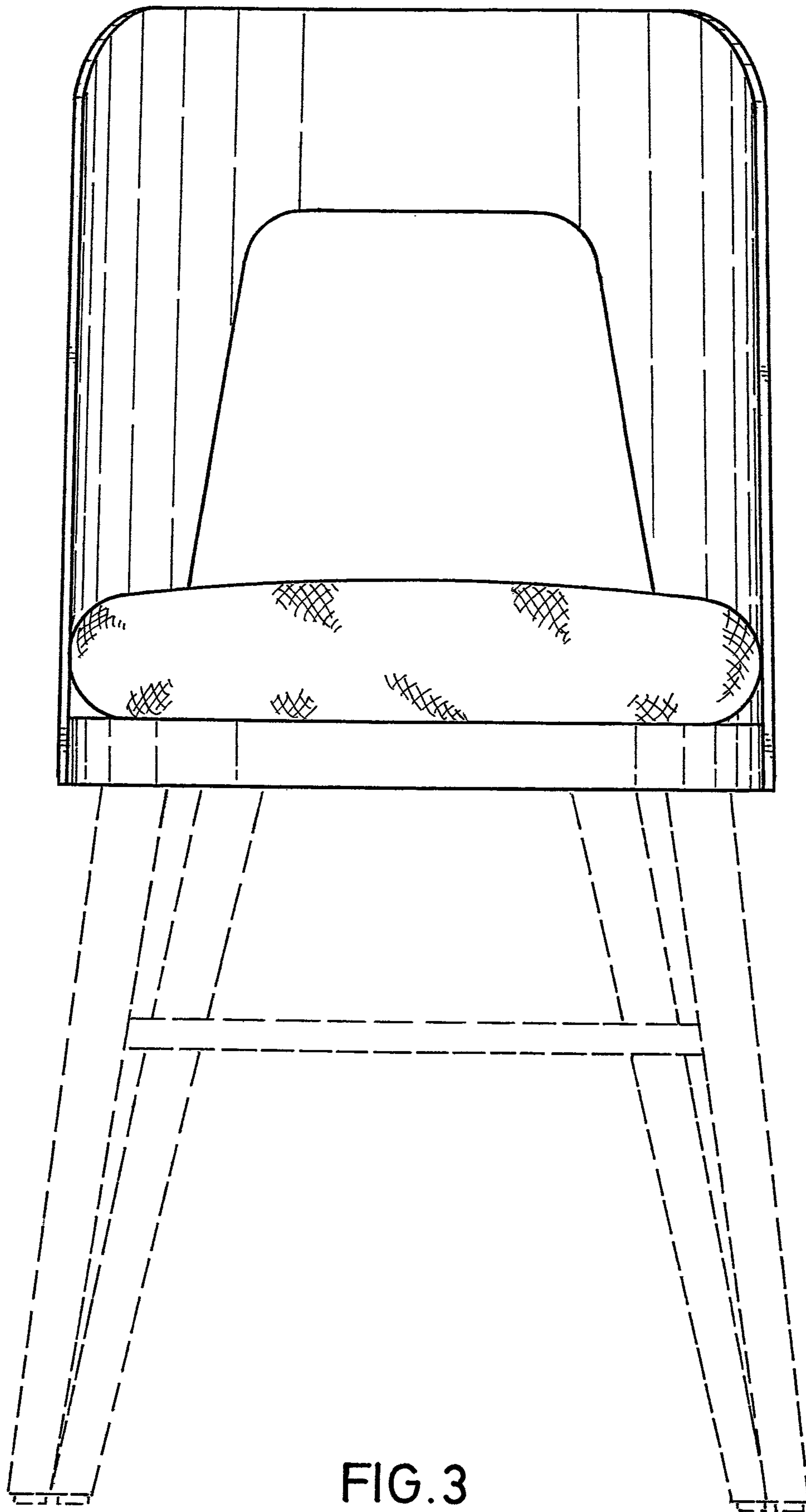


FIG. 3

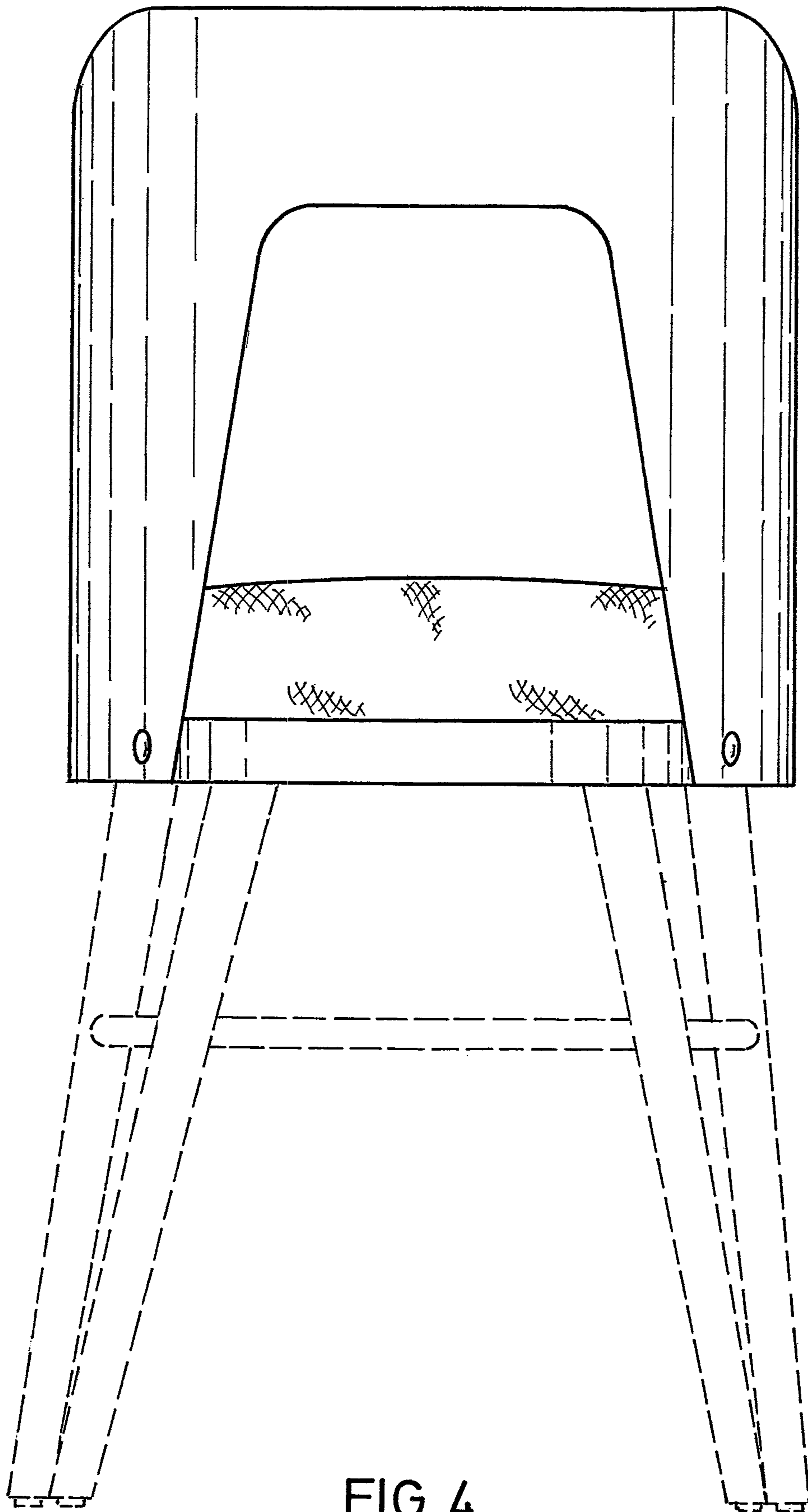


FIG. 4

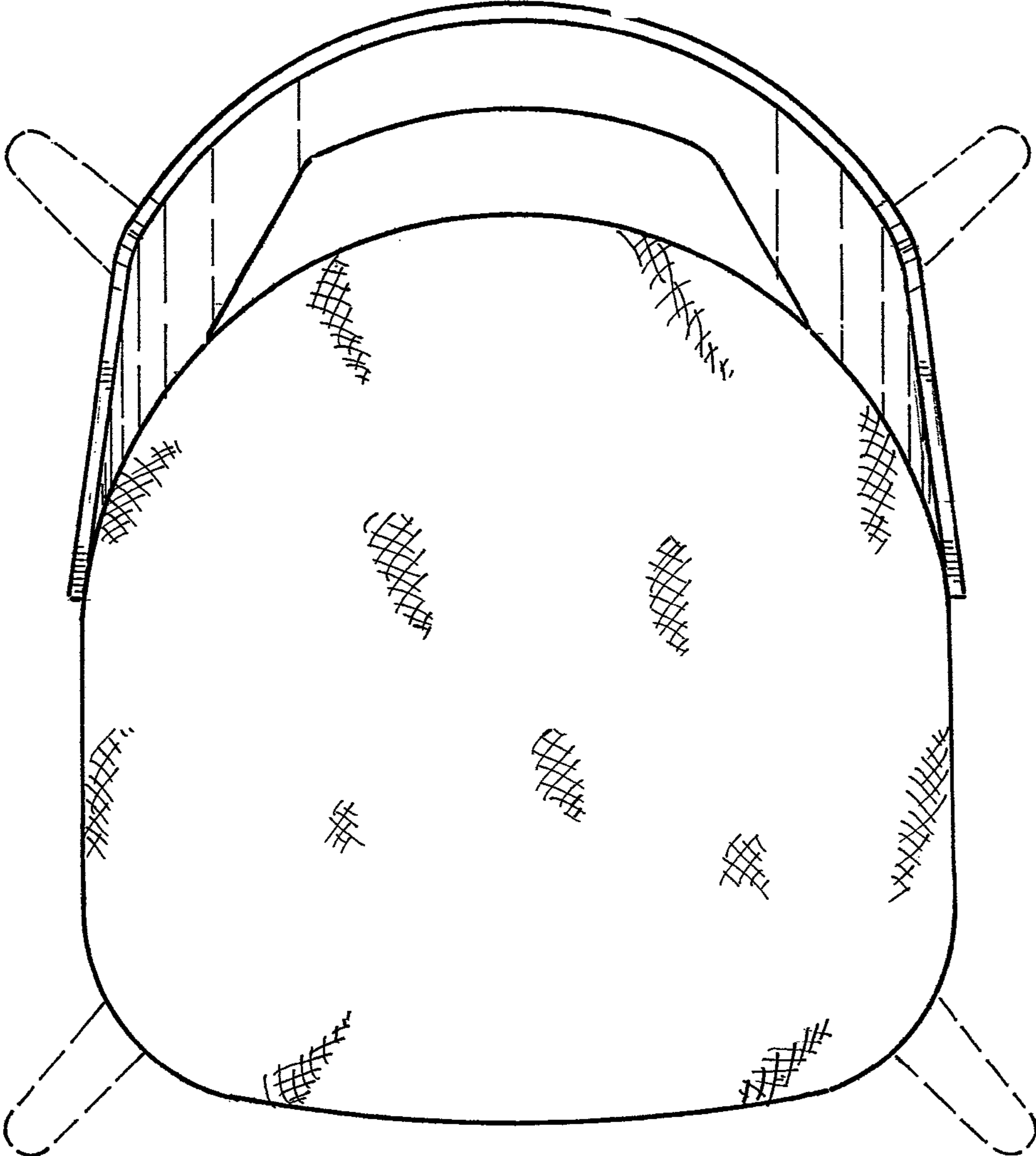


FIG.5

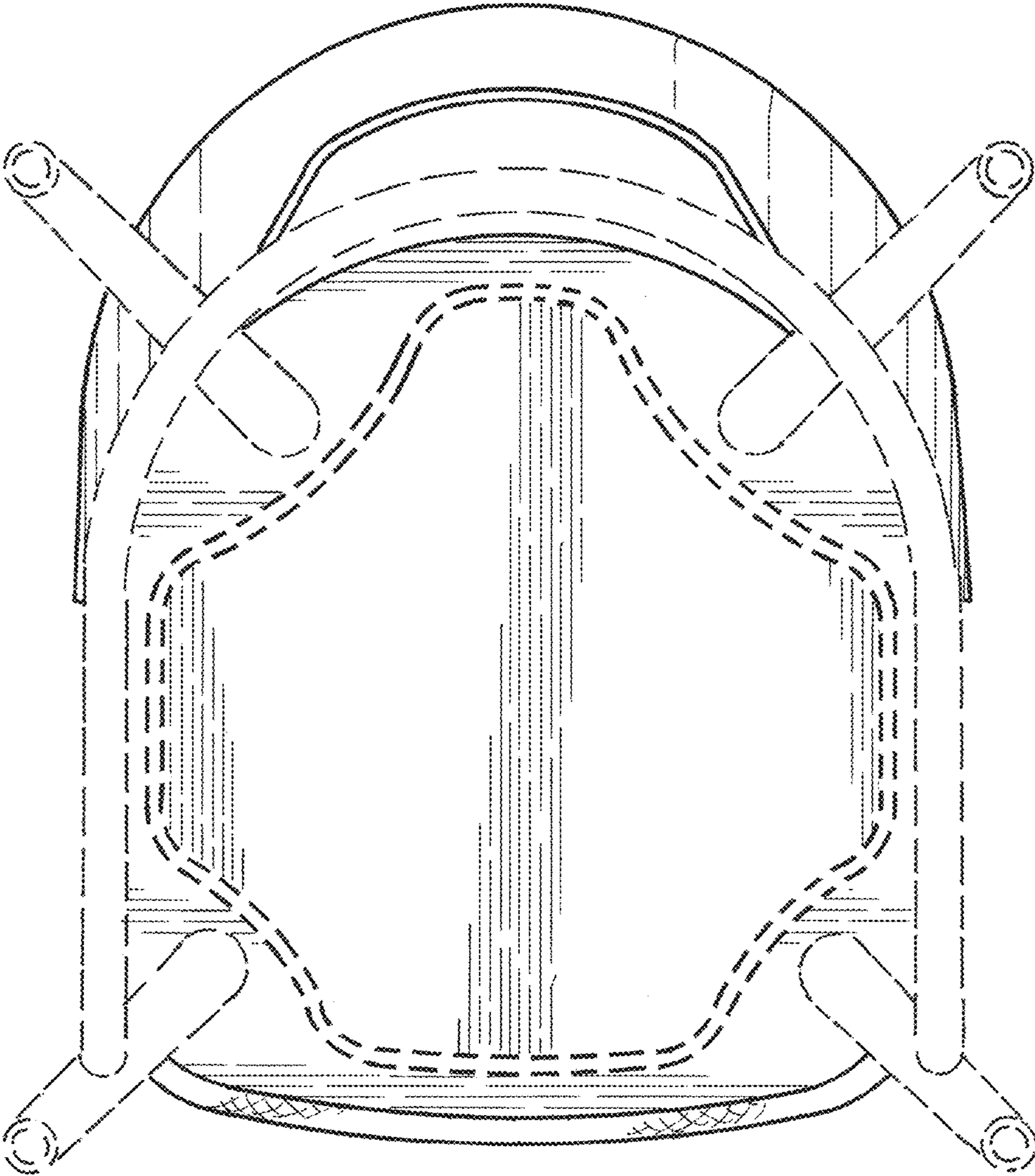


FIG.6