

US00D966002S

(12) **United States Design Patent** (10) **Patent No.:** **US D966,002 S**
Lu (45) **Date of Patent:** **** Oct. 11, 2022**

(54) **CHAIR**
(71) Applicant: **Youcheng Lu**, Chuzhou (CN)
(72) Inventor: **Youcheng Lu**, Chuzhou (CN)
(**) Term: **15 Years**
(21) Appl. No.: **29/795,415**
(22) Filed: **Jun. 17, 2021**
(51) **LOC (13) Cl.** **06-01**
(52) **U.S. Cl.**
USPC **D6/366**
(58) **Field of Classification Search**
USPC D6/356, 364, 365, 366, 367, 379, 716,
D6/716.4, 716.7, 360, 380, 716.1, 716.2,
D6/716.3; D21/521, 695
CPC A47C 1/03294; A47C 1/034; A47C 1/032;
A47C 1/031; A47C 1/023; A47C 3/029;
A47C 3/027; A47C 3/04; A47C 3/02;
A47C 3/12; A47C 4/03; A47C 4/04;
A47C 5/12; A47C 7/029; A47C 7/02;
A47C 7/18; A47C 7/28; A47C 7/32;
A47C 7/38; A47C 7/40; A47C 7/44;
A47C 7/46; A47C 7/54; A47C 7/425;
A47C 7/445; A47C 31/023; A47C 31/04;
B60R 2/0284; B60R 2/062; B60R 22/001;
B60R 22/24; B60R 22/28; B60R 22/58;
B60R 22/64; B60R 22/68; B60R 22/80;
B60R 22/99; B60R 22/245; B60R 22/643;
B60R 22/646; B60R 22/665; B60R
22/686; B60R 22/688; B60R 22/803;
B60R 22/986; B60R 22/914; B60R
22/995; F16B 2/08; F16B 45/00; Y10S
297/01; A47D 13/10
See application file for complete search history.

5,630,647 A * 5/1997 Heidmann A47C 1/03255
297/303.3
5,810,438 A * 9/1998 Newhouse A47C 7/445
297/286
5,871,258 A * 2/1999 Battey A47C 1/023
297/312
6,983,997 B2 * 1/2006 Wilkerson A47C 7/282
297/452.56
D597,329 S * 8/2009 Tanaka D6/366
7,841,664 B2 * 11/2010 Holdredge A47C 1/032
297/300.1
D660,056 S * 5/2012 Diffrient D6/366
(Continued)

OTHER PUBLICATIONS

“Office Chair” Apr. 19, 2021, wayfair.com, site visited Apr. 7, 2022
<<https://www.wayfair.com/furniture/pdp/inbox-zero-office-chair-w002232397.html>> (Year: 2021).*

Primary Examiner — Paul D Bohannon
(74) *Attorney, Agent, or Firm* — Zhihua Han; Wen IP
LLC

(57) **CLAIM**

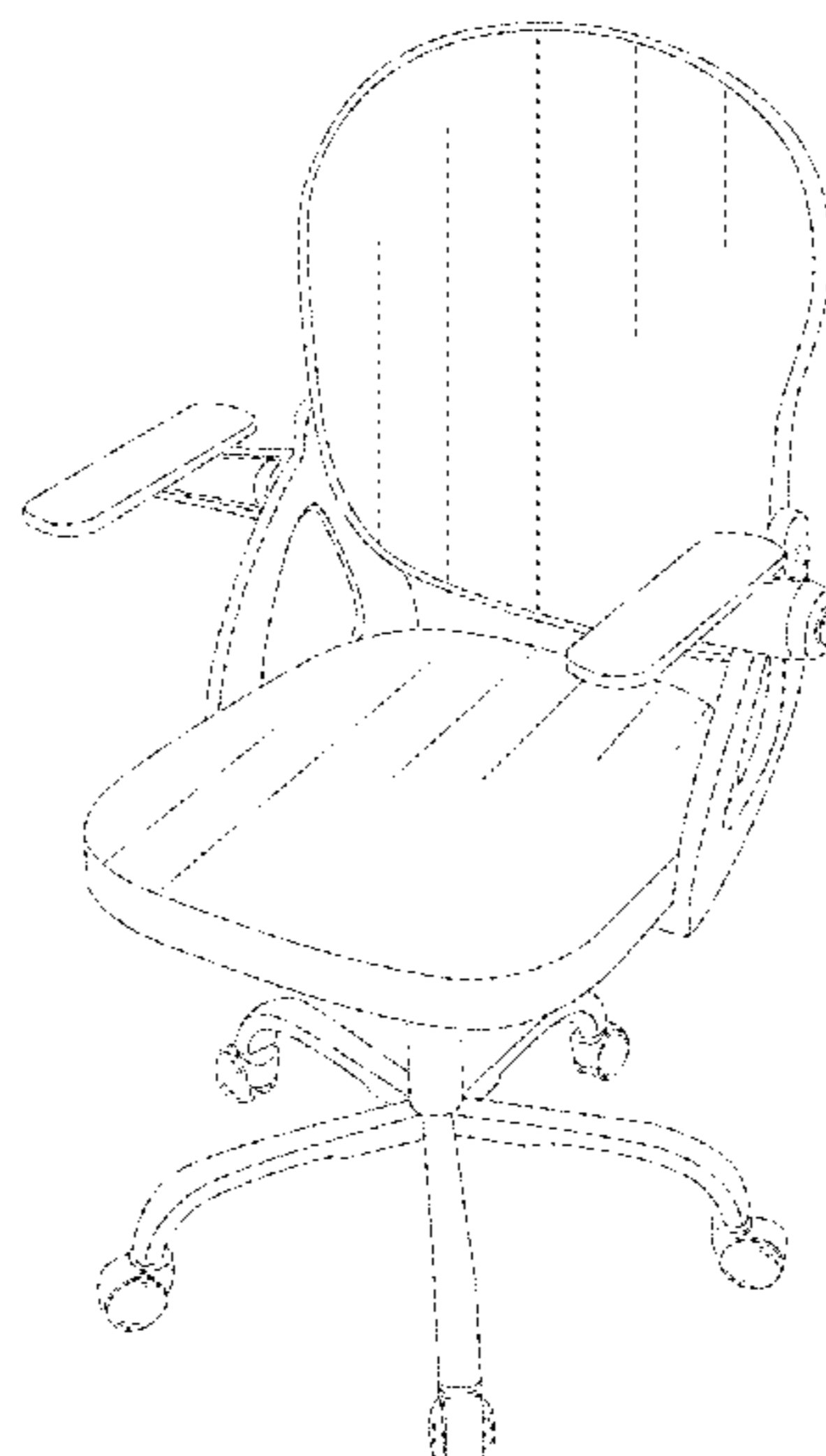
The ornamental design for a chair, as shown and described.

DESCRIPTION

FIG. 1 is a perspective view of a chair, viewed from front, top, and right direction, showing my new design;
FIG. 2 is a front elevation view thereof;
FIG. 3 is a rear elevation view thereof;
FIG. 4 is a left side elevation view thereof;
FIG. 5 is a right side elevation view thereof;
FIG. 6 is a top plan view thereof; and,
FIG. 7 is another perspective view thereof, viewed from rear, bottom, and left direction.
The broken lines shown in the drawings illustrate portions of the article that form no part of the claimed design.

1 Claim, 7 Drawing Sheets

(56) **References Cited**
U.S. PATENT DOCUMENTS
5,577,807 A * 11/1996 Hodge A47C 1/023
297/301.7
5,597,203 A * 1/1997 Hubbard A47C 7/024
297/301.1



(56)

References Cited

U.S. PATENT DOCUMENTS

D766,605 S	9/2016	Li	
D785,353 S	5/2017	Zhou	
10,602,855 B2 *	3/2020	Naitou	A47C 31/023
D907,936 S	1/2021	Feng	
2006/0006715 A1 *	1/2006	Chadwick	A47C 1/03274 297/300.4

* cited by examiner



FIG. 1

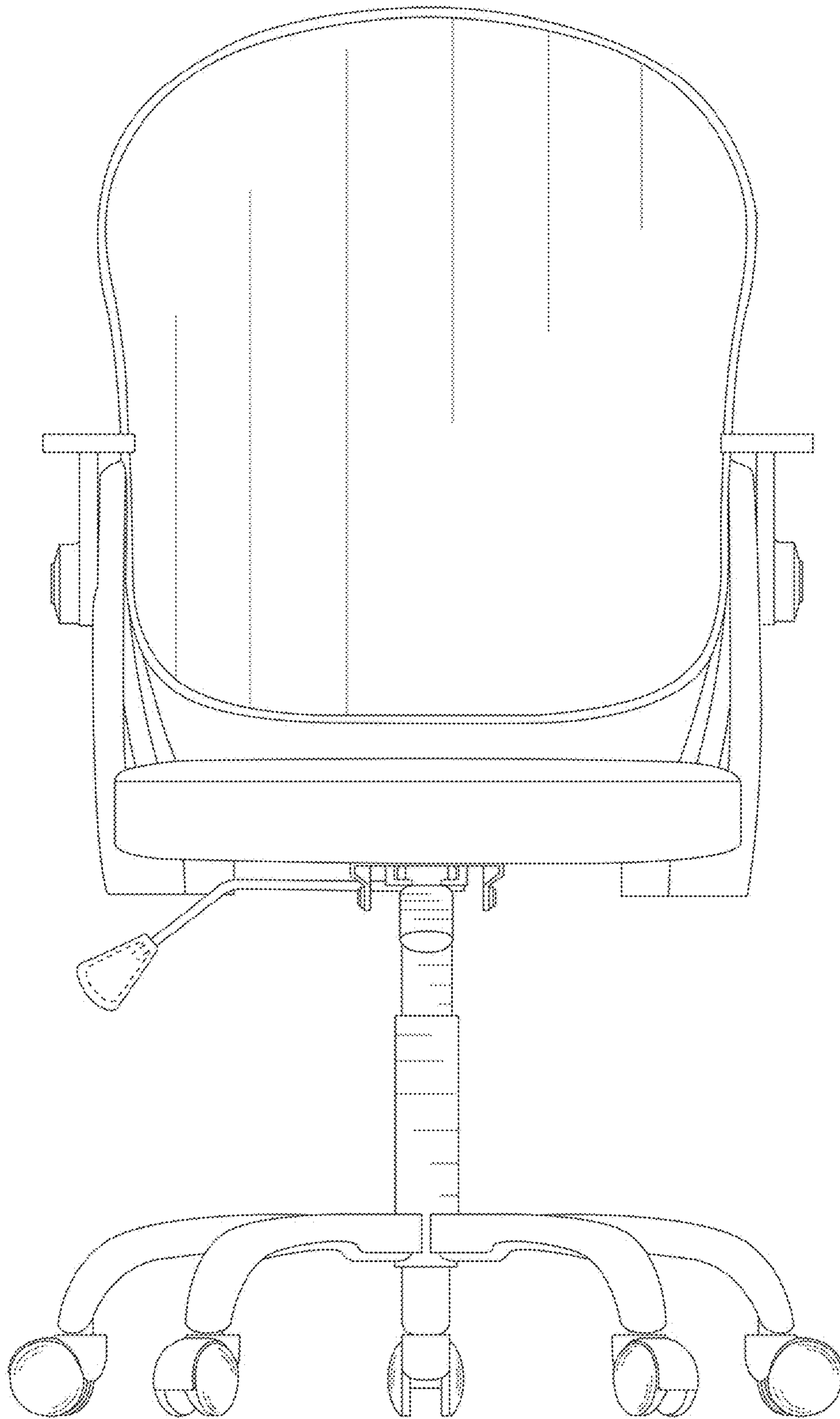


FIG. 2

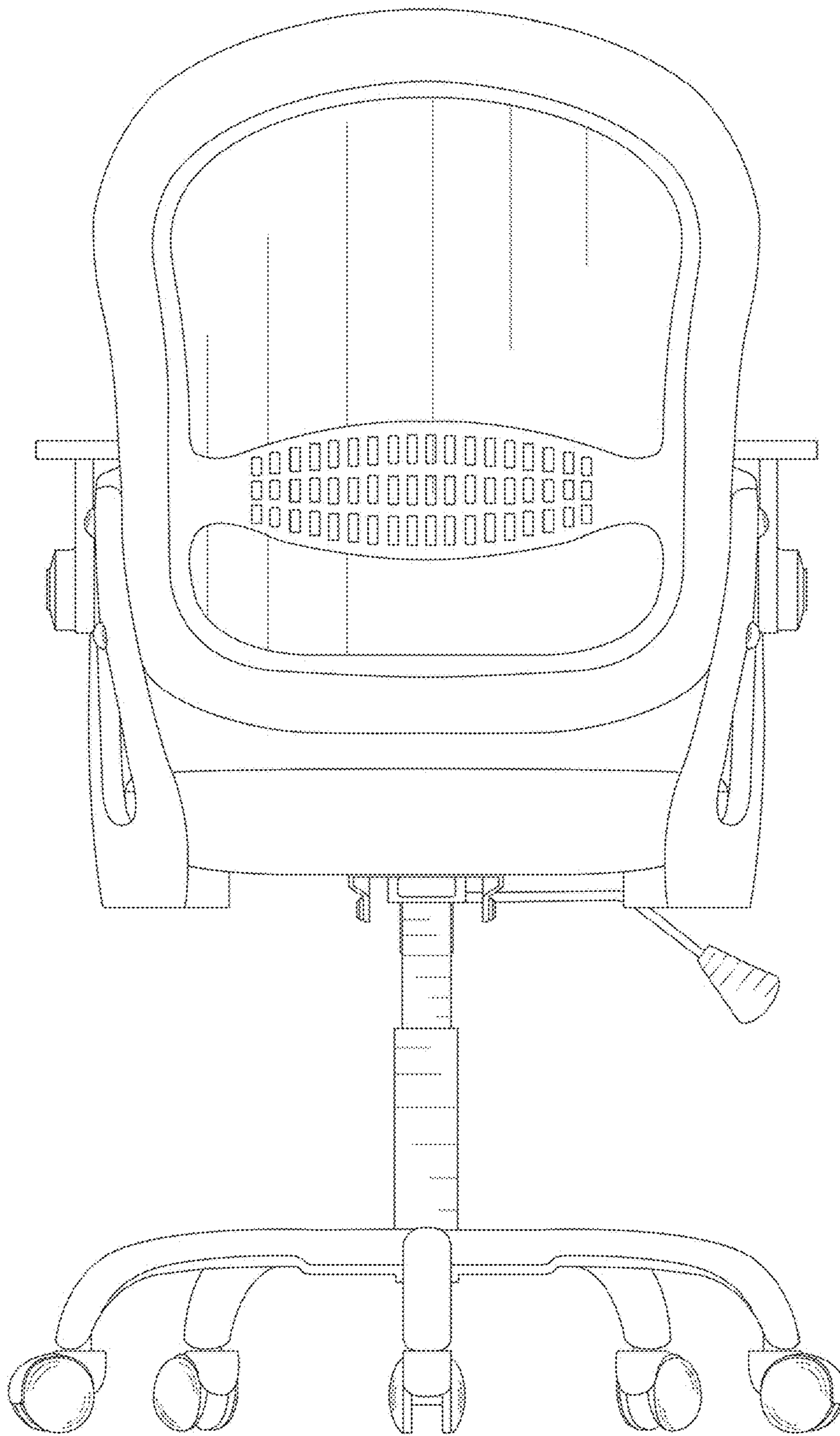


FIG. 3

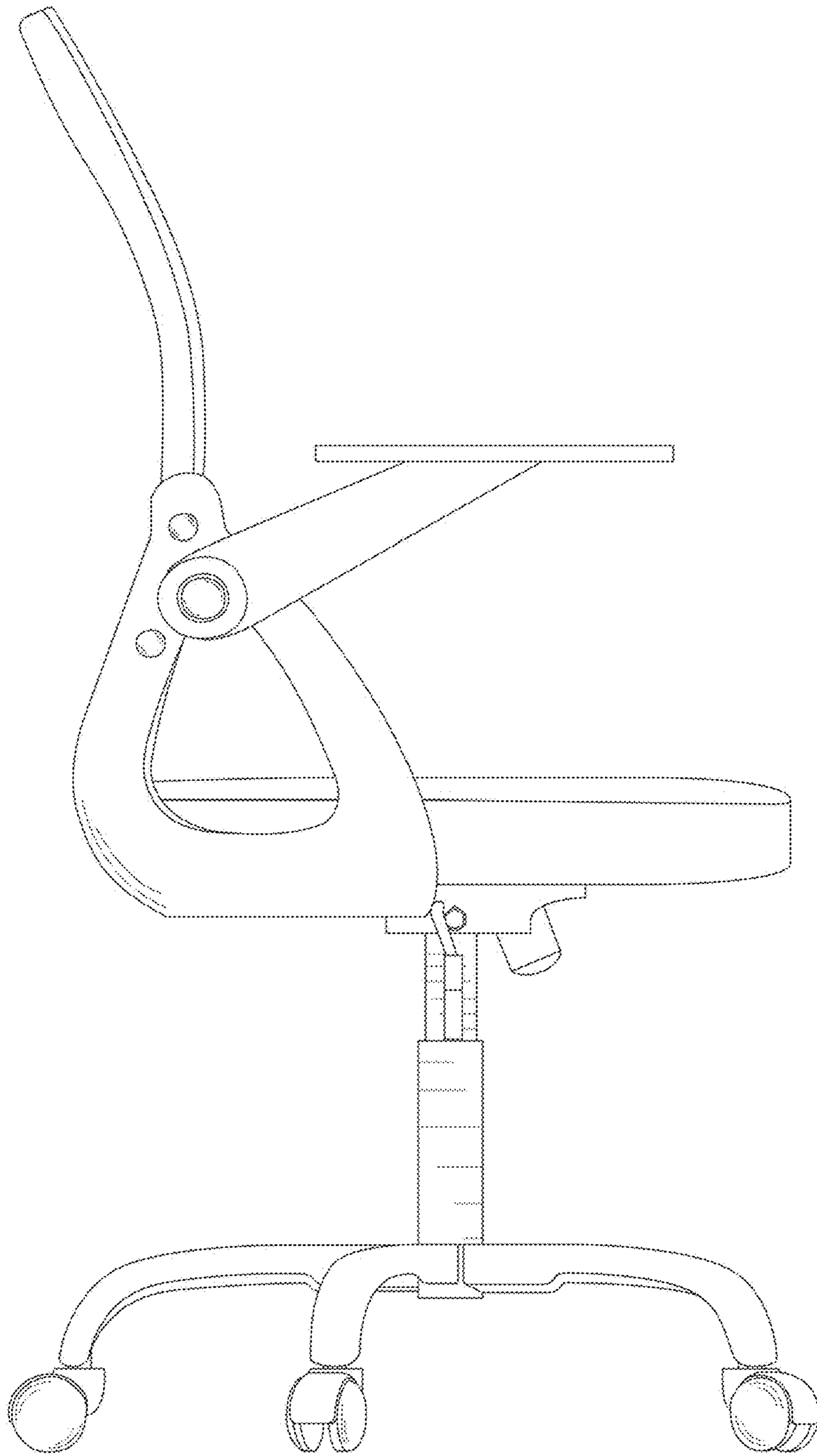


FIG. 4

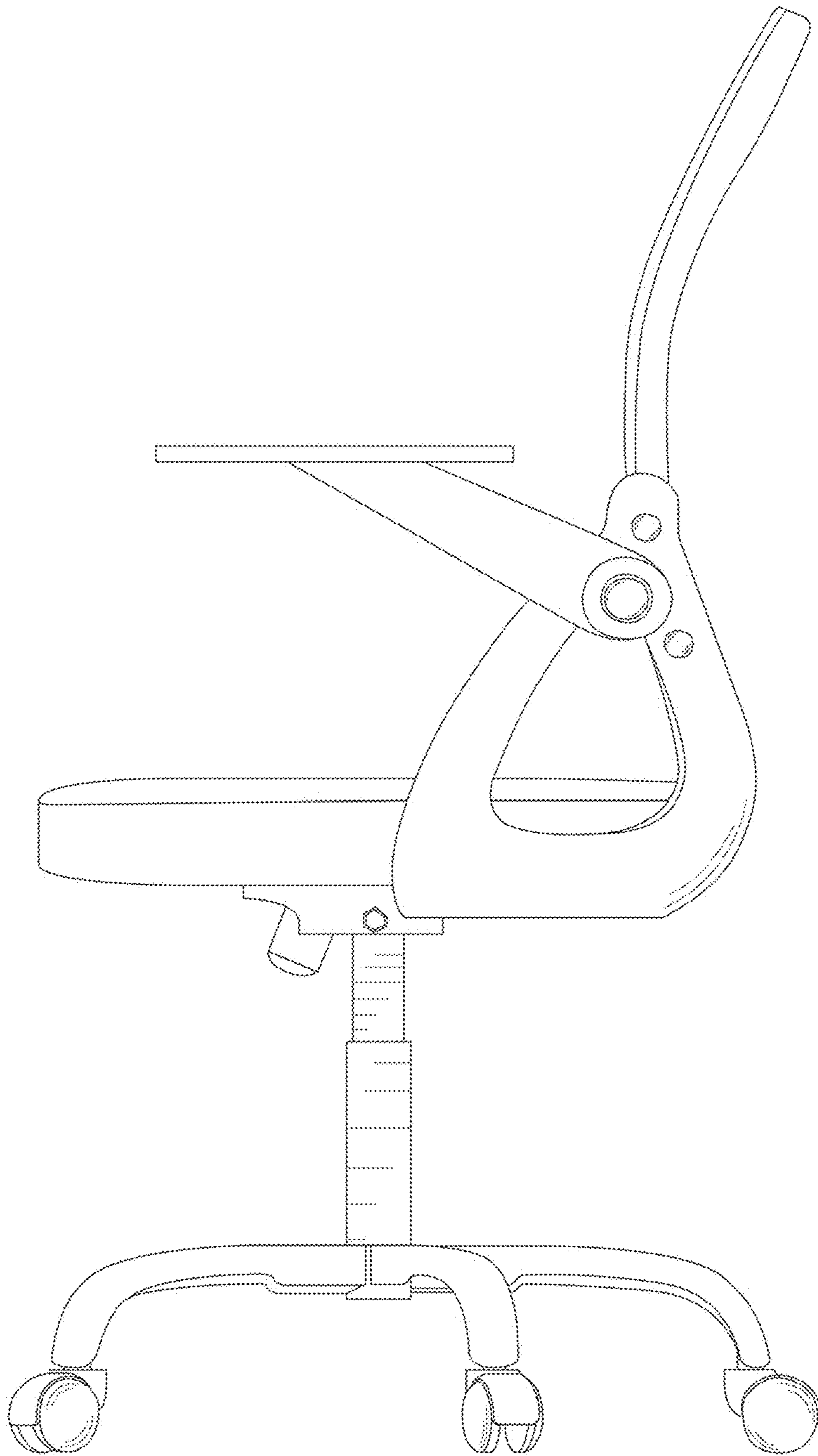


FIG. 5

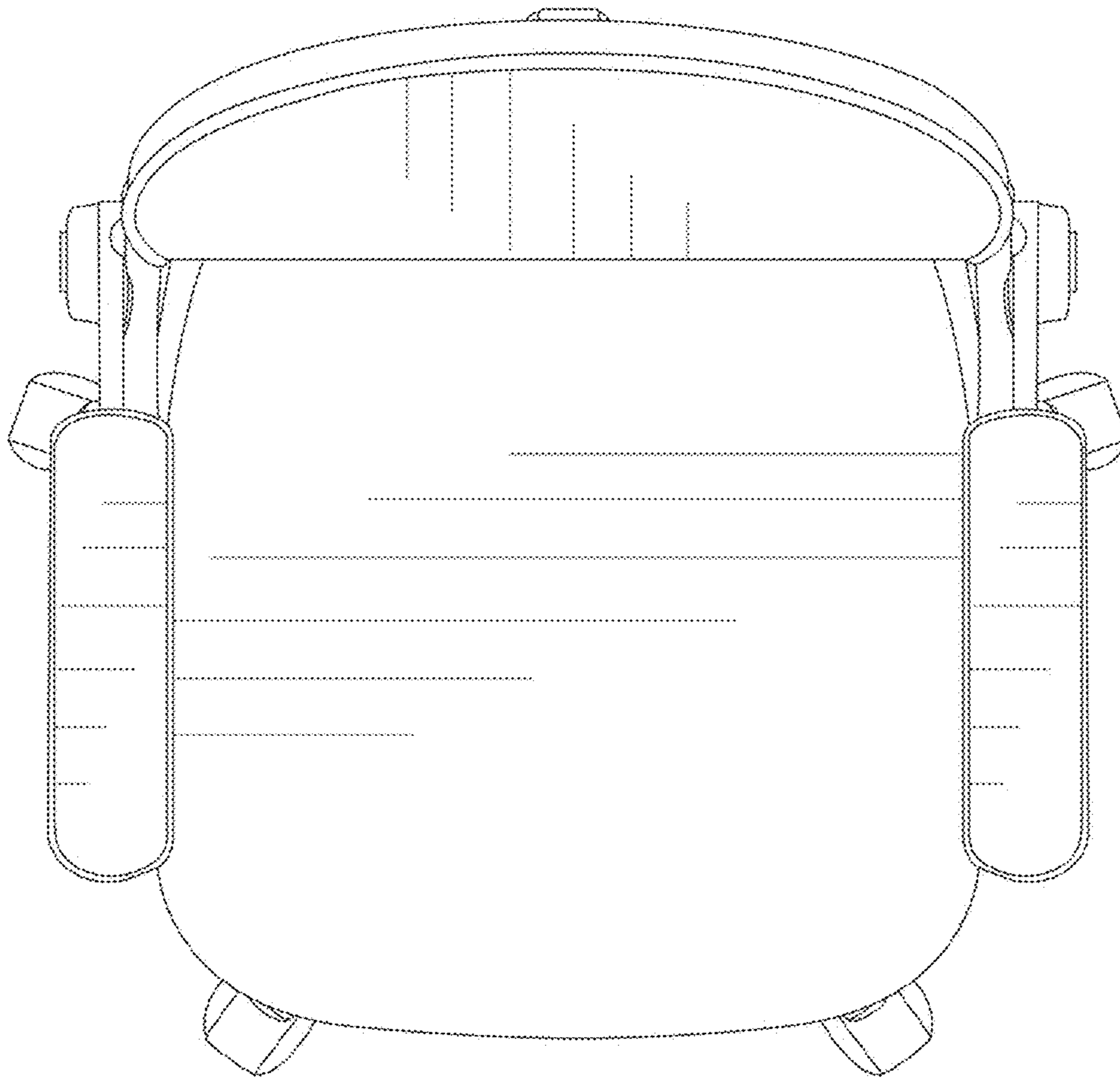


FIG. 6

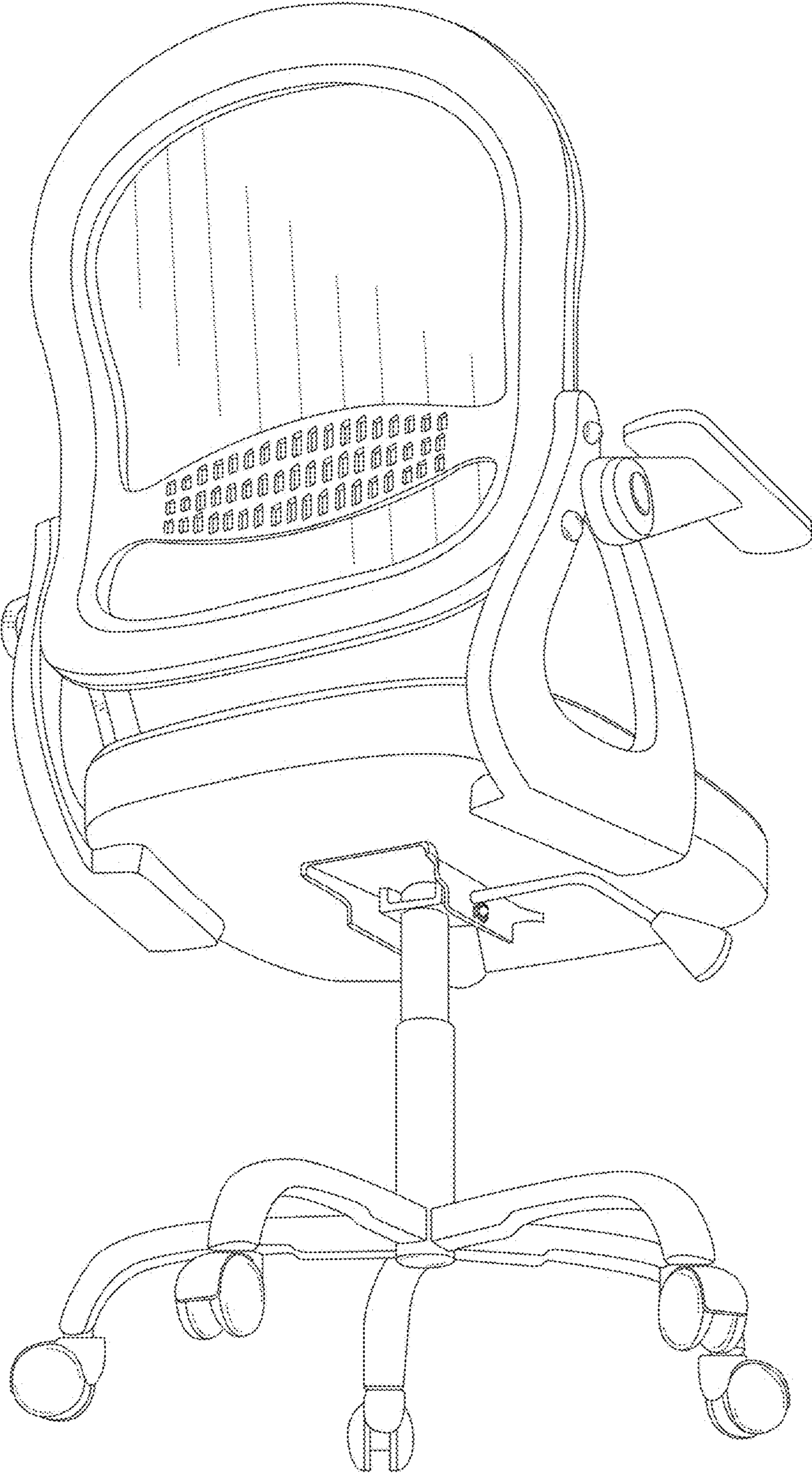


FIG. 7