



US00D965999S

(12) **United States Design Patent**  
**Radenbaugh**

(10) **Patent No.:** **US D965,999 S**

(45) **Date of Patent:** **\*\* Oct. 11, 2022**

- (54) **BICYCLE SEAT**
- (71) Applicant: **Rad Power Bikes Inc.**, Seattle, WA (US)
- (72) Inventor: **Mike Radenbaugh**, Seattle, WA (US)
- (73) Assignee: **RAD POWER BIKES INC.**, Seattle, WA (US)
- (\*\*) Term: **15 Years**
- (21) Appl. No.: **29/754,487**
- (22) Filed: **Oct. 12, 2020**

**Related U.S. Application Data**

- (62) Division of application No. 29/681,361, filed on Feb. 25, 2019, now Pat. No. Des. 898,390.
- (51) **LOC (13) Cl.** ..... **06-01**
- (52) **U.S. Cl.**  
USPC ..... **D6/354**
- (58) **Field of Classification Search**  
USPC ..... D6/340, 354; D12/110, 111  
CPC ... B62J 1/002; B62J 1/005; B62J 1/007; B62J 1/26  
See application file for complete search history.

(56) **References Cited**

**U.S. PATENT DOCUMENTS**

- 612,972 A \* 10/1898 Leech ..... B62J 1/002  
297/201
- 1,858,477 A \* 5/1932 Blake ..... B62J 1/02  
297/202
- D408,159 S \* 4/1999 Glutton ..... D6/354
- 6,019,423 A \* 2/2000 Dodge ..... B62J 1/002  
297/195.1
- D429,905 S \* 8/2000 White ..... D6/354

- 6,193,309 B1 \* 2/2001 Gootter ..... B62J 1/002  
297/202
- 7,537,281 B2 \* 5/2009 Riondato ..... B62J 1/007  
297/202
- D642,846 S \* 8/2011 Parish ..... D6/601
- D684,780 S \* 6/2013 Toll ..... D6/354
- D722,446 S \* 2/2015 Toll ..... D6/354
- 2003/0034678 A1 \* 2/2003 Farre ..... A47C 7/029  
297/195.11
- 2003/0067195 A1 \* 4/2003 Sylvester ..... B62J 1/04  
297/201
- 2007/0069557 A1 \* 3/2007 Toll ..... B62J 1/007  
297/202

\* cited by examiner

*Primary Examiner* — Darlington Ly

(74) *Attorney, Agent, or Firm* — AMPACC Law Group, PLLC

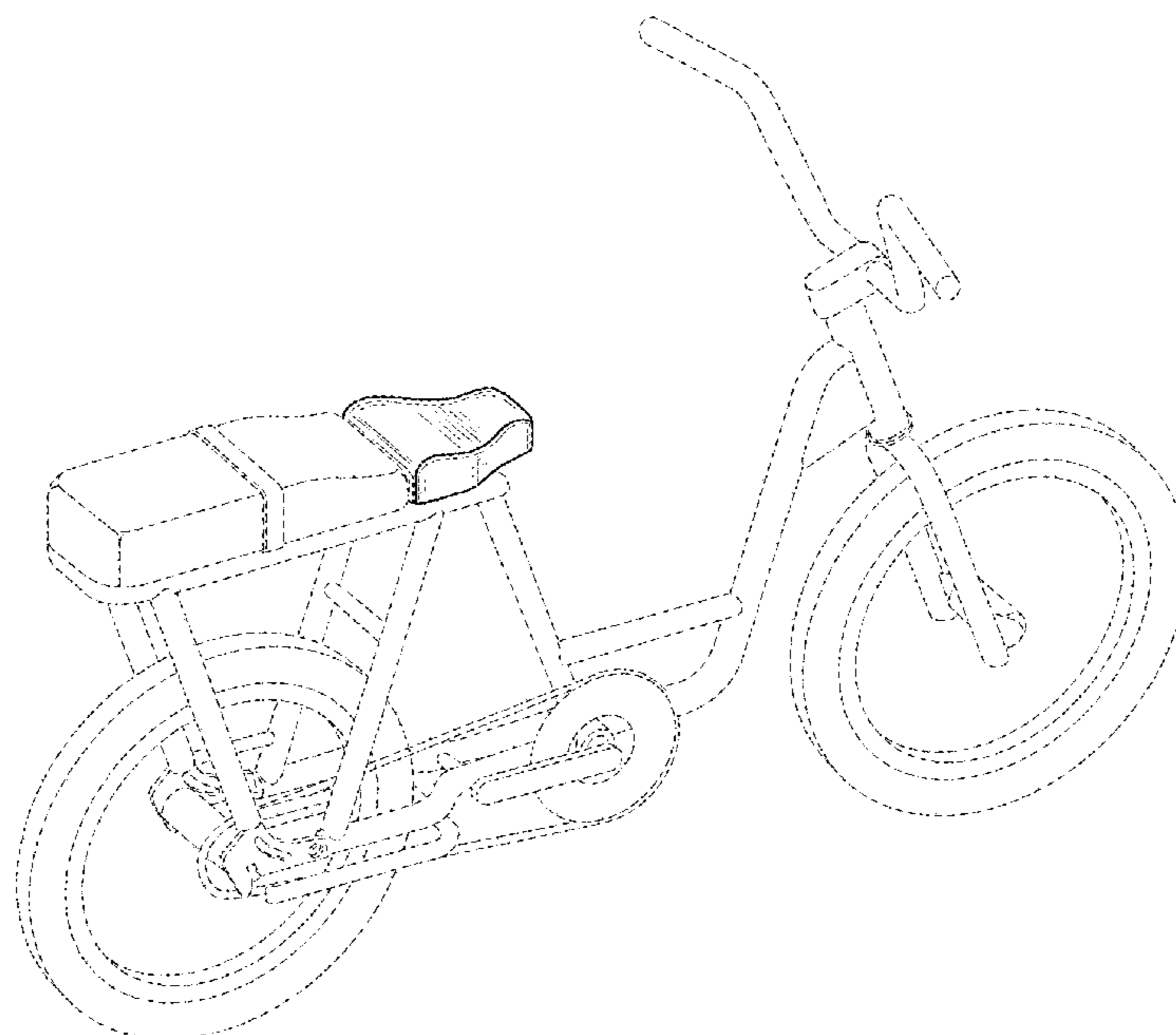
(57) **CLAIM**

The ornamental design for a bicycle seat, as shown and described.

**DESCRIPTION**

FIG. 1 is a top, rear, and right side perspective view thereof of a bicycle seat embodying the new design;  
 FIG. 2 is a right side elevation view thereof;  
 FIG. 3 is a top plan view thereof;  
 FIG. 4 is a top, rear, and right side perspective view thereof, in which the seat is in a raised position;  
 FIG. 5 is a right side elevation view thereof, in which the seat is in a raised position; and,  
 FIG. 6 is a top plan view thereof, in which the seat is in a raised position.  
 The broken lines in the drawings illustrate portions of the bicycle seat and an environmental bicycle that form no part of the claimed design.

**1 Claim, 4 Drawing Sheets**



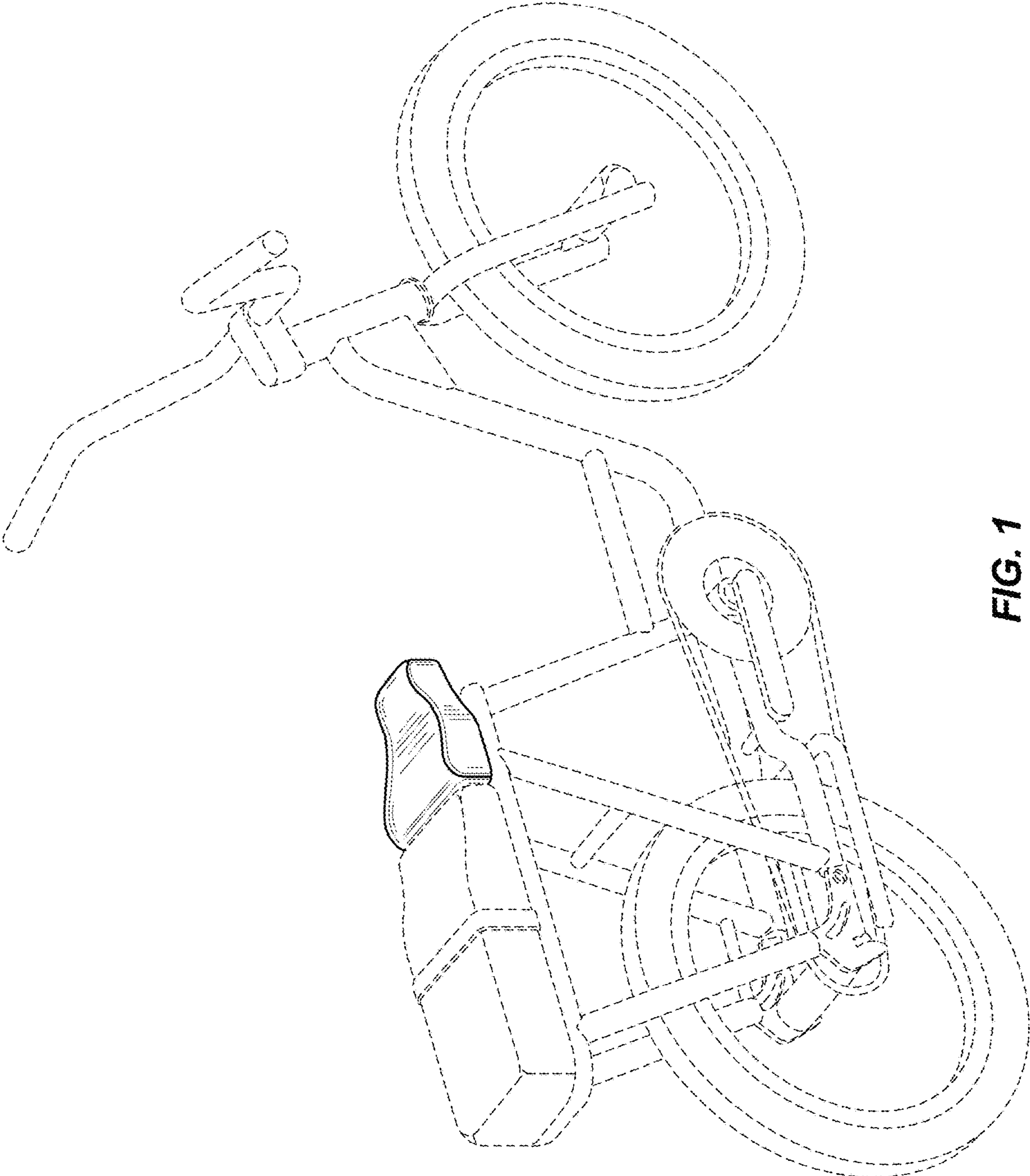
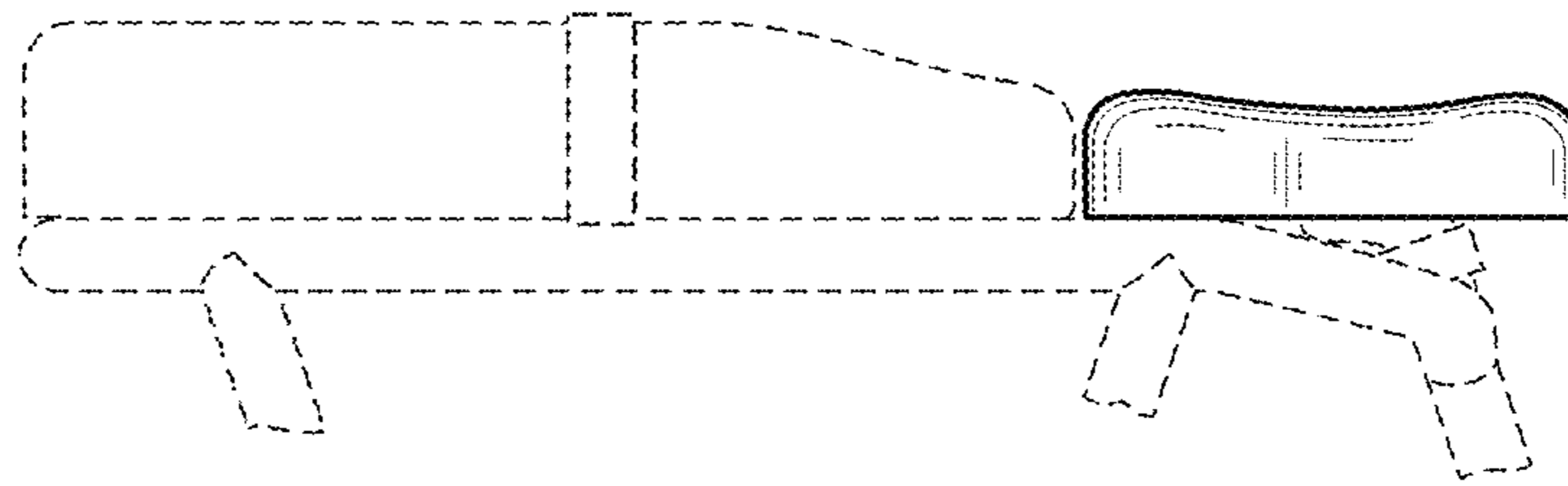
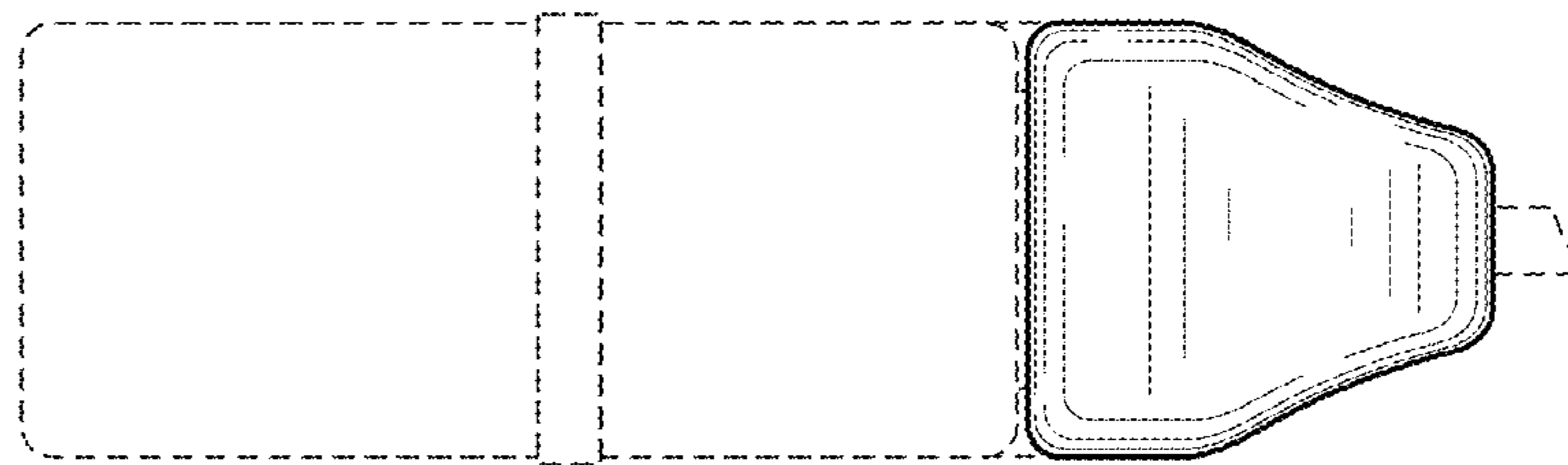


FIG. 1



**FIG. 2**



**FIG. 3**

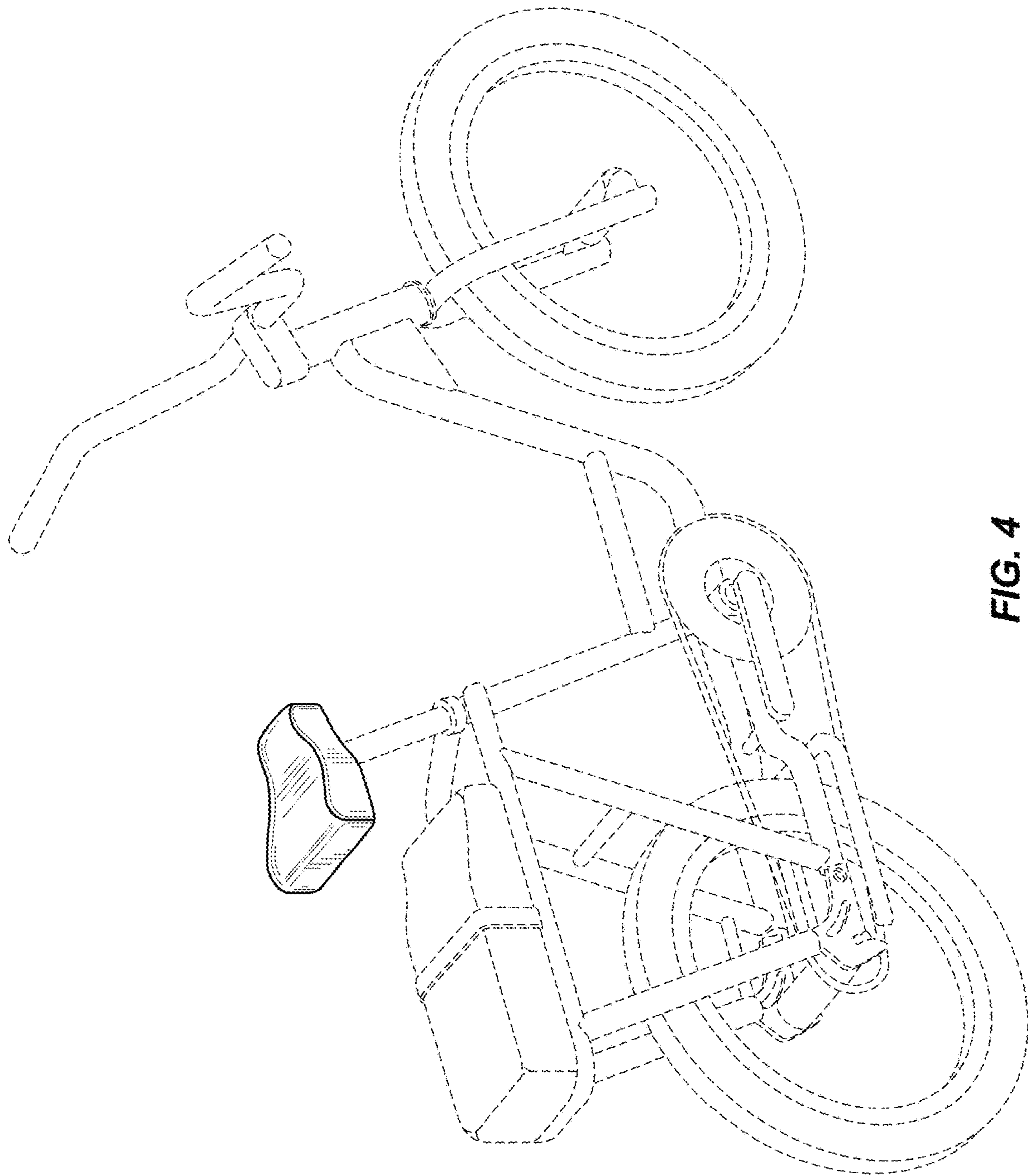
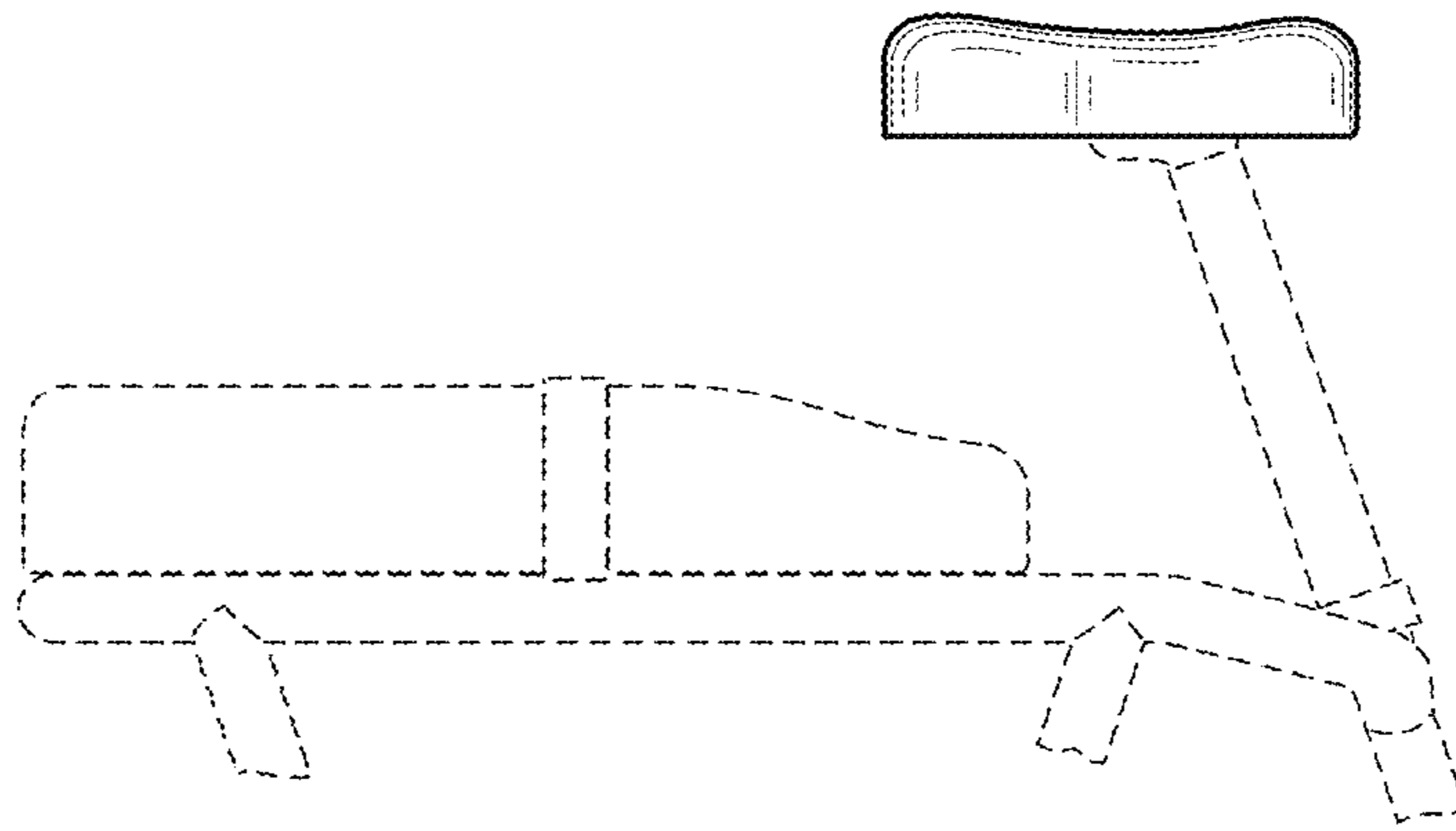
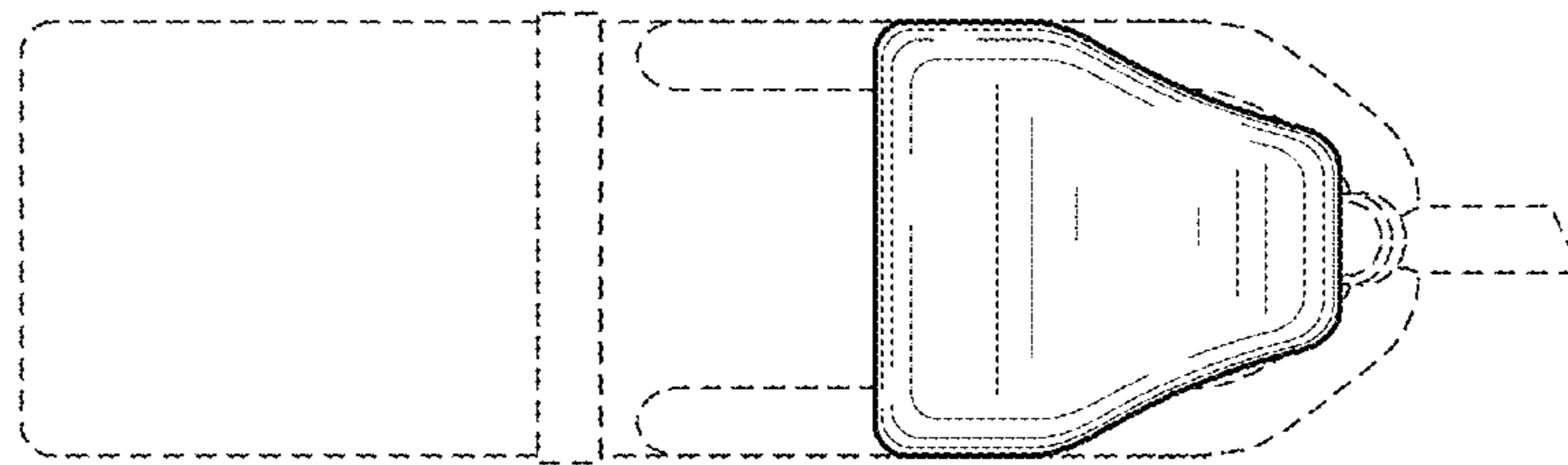


FIG. 4



**FIG. 5**



**FIG. 6**