

US00D965998S

(12) **United States Design Patent** (10) **Patent No.:** **US D965,998 S**
Robertson (45) **Date of Patent:** **** Oct. 11, 2022**

(54) **FOLDING SHOWER SEAT**
(71) Applicant: **Elcoma Metal Fabricating and Sales, Inc.**, Canton, OH (US)
(72) Inventor: **Charles Robertson**, Canton, OH (US)
(73) Assignee: **Elcoma Metal Fabricating and Sales, Inc.**, Canton, OH (US)

9,445,693 B2 * 9/2016 Nelson A47K 3/122
D802,319 S * 11/2017 Longo D6/362
9,844,272 B1 12/2017 Vetter et al.
D814,817 S * 4/2018 Longo D6/362
D814,818 S * 4/2018 Longo D6/362
D815,848 S * 4/2018 Longo D6/362
10,463,158 B2 * 11/2019 Lin A47C 9/06
2013/0117928 A1 * 5/2013 Hardie A61G 7/1059
4/611

(**) Term: **15 Years**
(21) Appl. No.: **29/762,863**
(22) Filed: **Dec. 18, 2020**
(51) **LOC (13) Cl.** **06-01**
(52) **U.S. Cl.**
USPC **D6/353**; D6/362
(58) **Field of Classification Search**
USPC D6/353, 330, 362-364, 349-350
CPC A47C 9/06; A47K 3/122; A47K 3/282
See application file for complete search history.

OTHER PUBLICATIONS

GBS White Phenolic JR Rectangular Fold Down Shower Seat with Legs, available in grabbarspecialists.com, earliest available date Dec. 3, 2015 Year 2015 [online], Retrieved on Feb. 17, 2022 from URL: <https://www.grabbarspecialists.com/GBS-White-Phenolic-JR-Rectangular-Fold-Down-Shower-Seat-Legs> (Year: 2015).*

* cited by examiner

Primary Examiner — Vy N Koenig
Assistant Examiner — Michelle M Reeves
(74) *Attorney, Agent, or Firm* — The Webb Law Firm

(56) **References Cited**

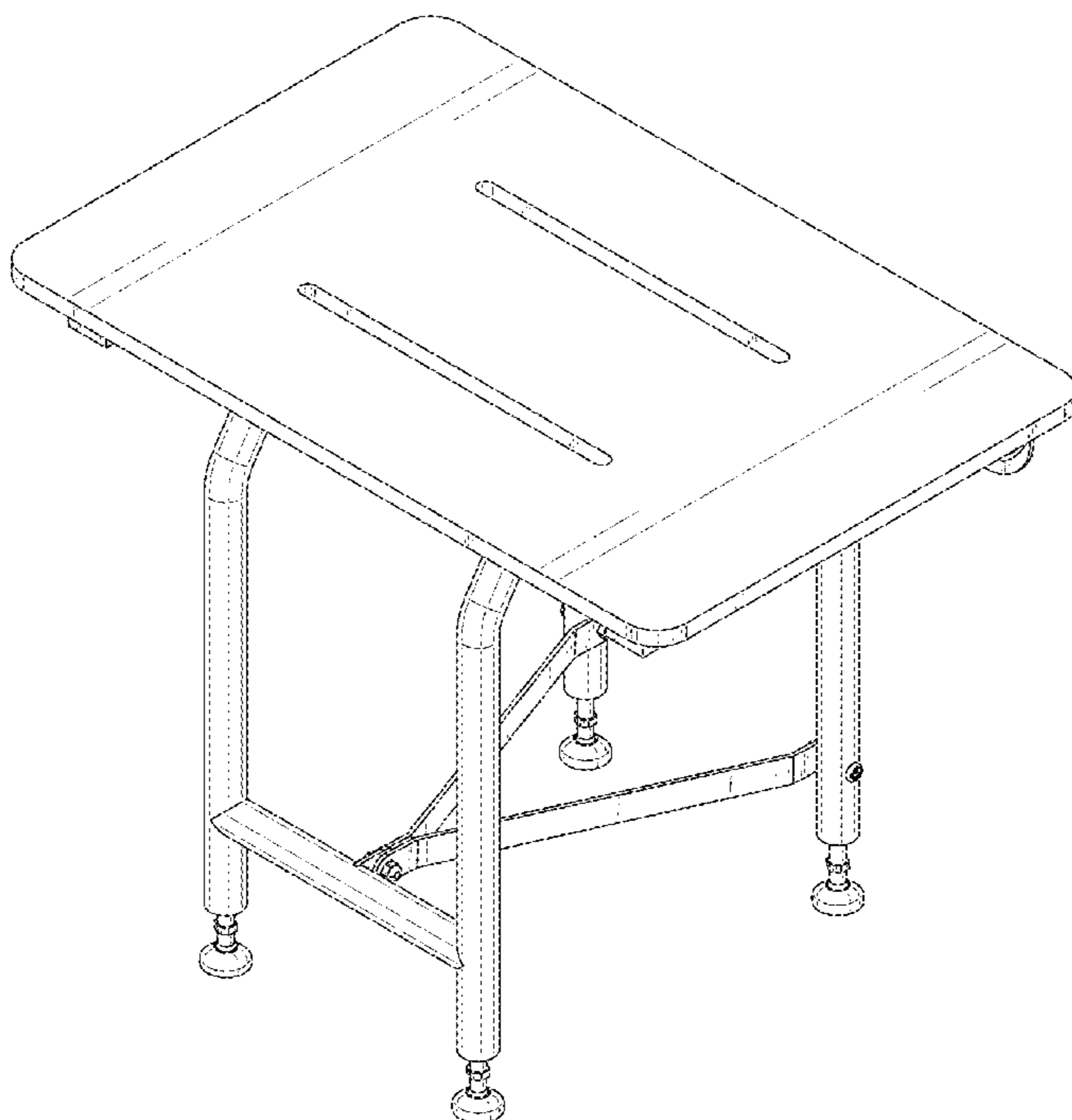
U.S. PATENT DOCUMENTS

4,087,127 A 5/1978 Lotta
5,845,962 A * 12/1998 Lin A47C 4/02
403/100
D494,767 S * 8/2004 Self D6/362
D495,506 S * 9/2004 Self D6/362
6,807,690 B1 10/2004 Satterfield
D536,889 S * 2/2007 Self D6/362
D591,521 S * 5/2009 Luxton D6/362
D713,161 S * 9/2014 Nelson D6/349
D729,535 S * 5/2015 Ferm D6/362
D734,048 S * 7/2015 Nelson D6/362
D764,201 S * 8/2016 Nelson D6/362

DESCRIPTION

FIG. 1 is a perspective view of a folding shower seat showing our new design;
FIG. 2 is a front view thereof;
FIG. 3 is a rear view thereof;
FIG. 4 is a right view thereof;
FIG. 5 is a left view thereof;
FIG. 6 is a top view thereof; and,
FIG. 7 is a bottom view thereof.

1 Claim, 7 Drawing Sheets



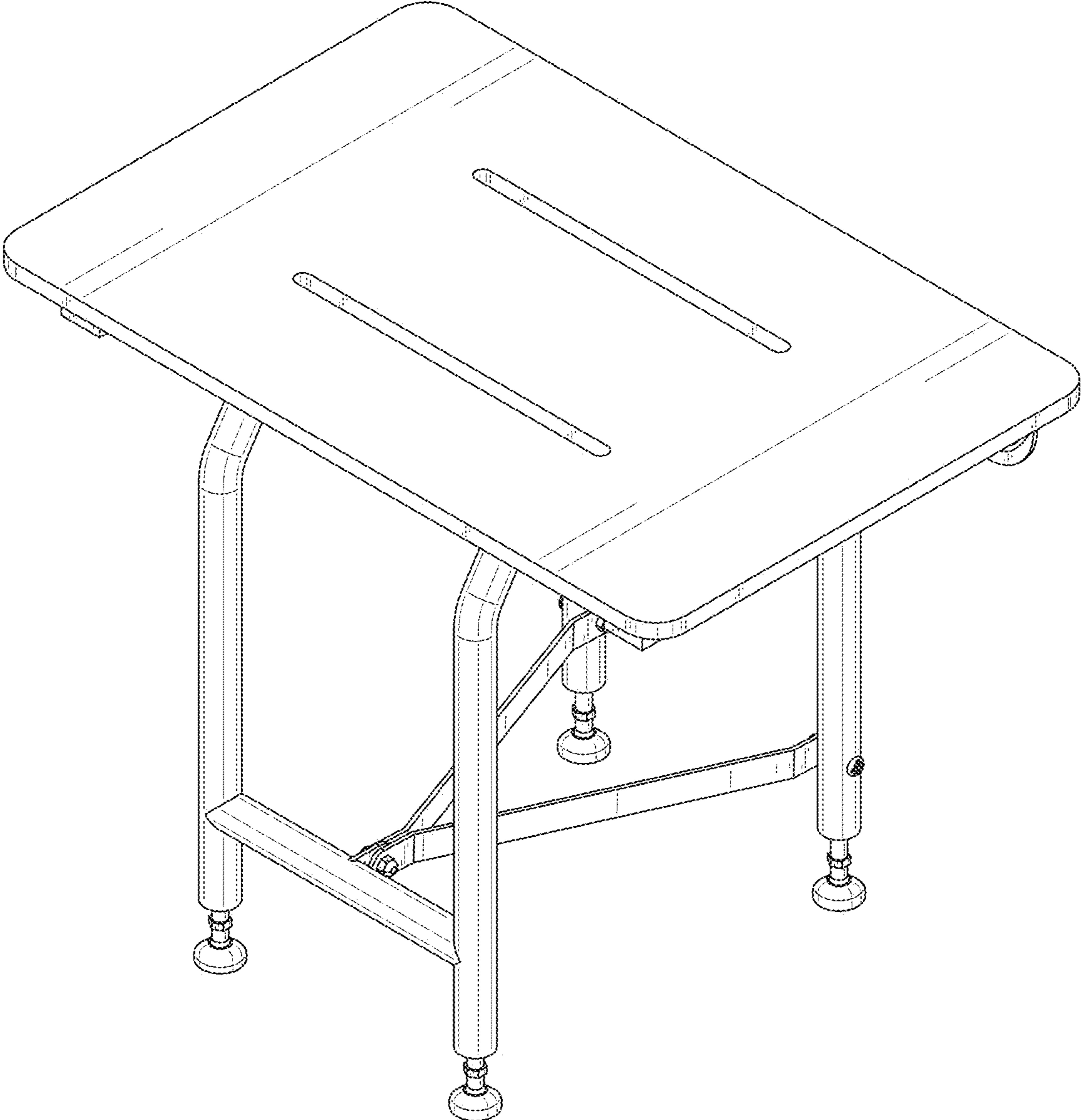


FIG. 1

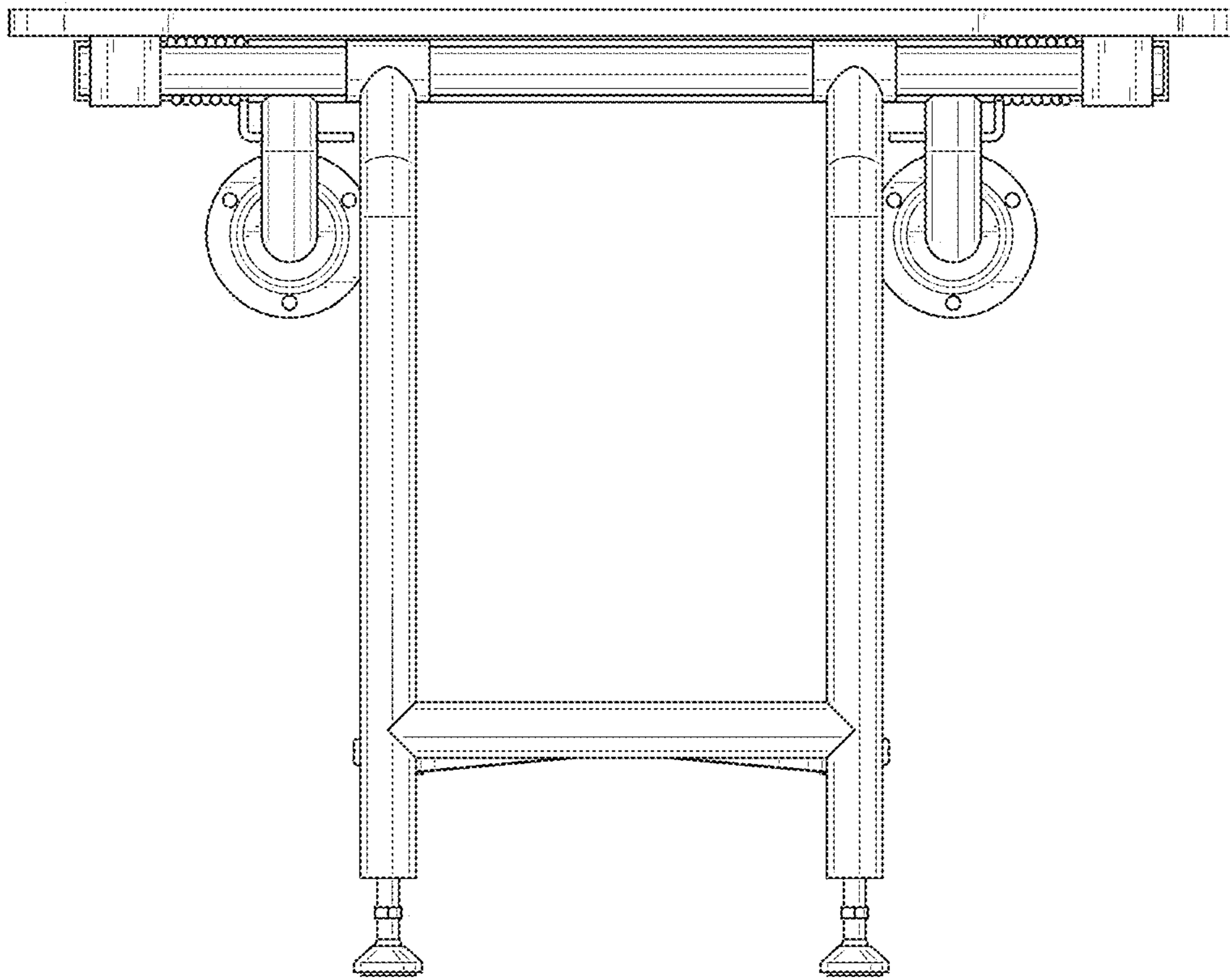


FIG. 2

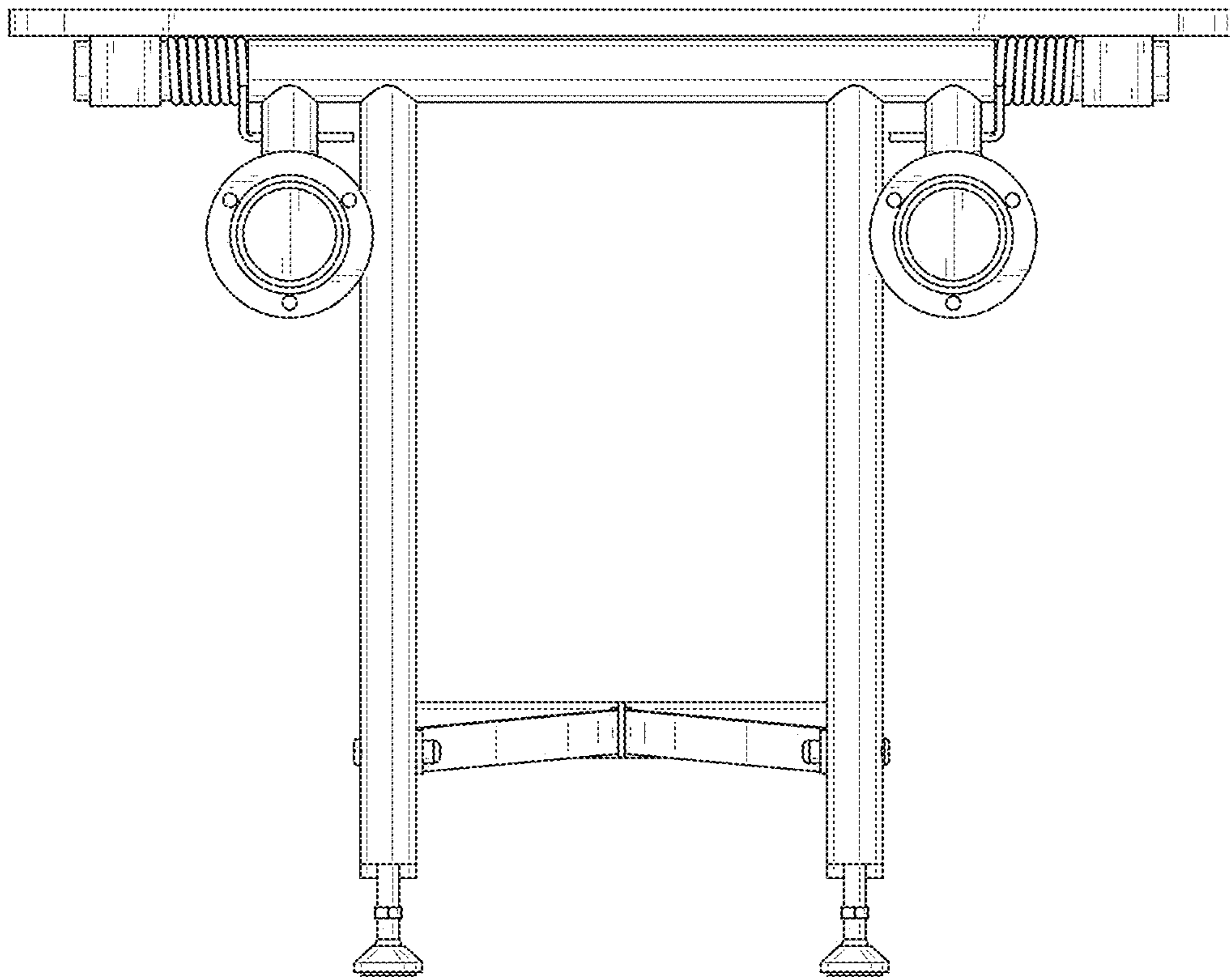


FIG. 3

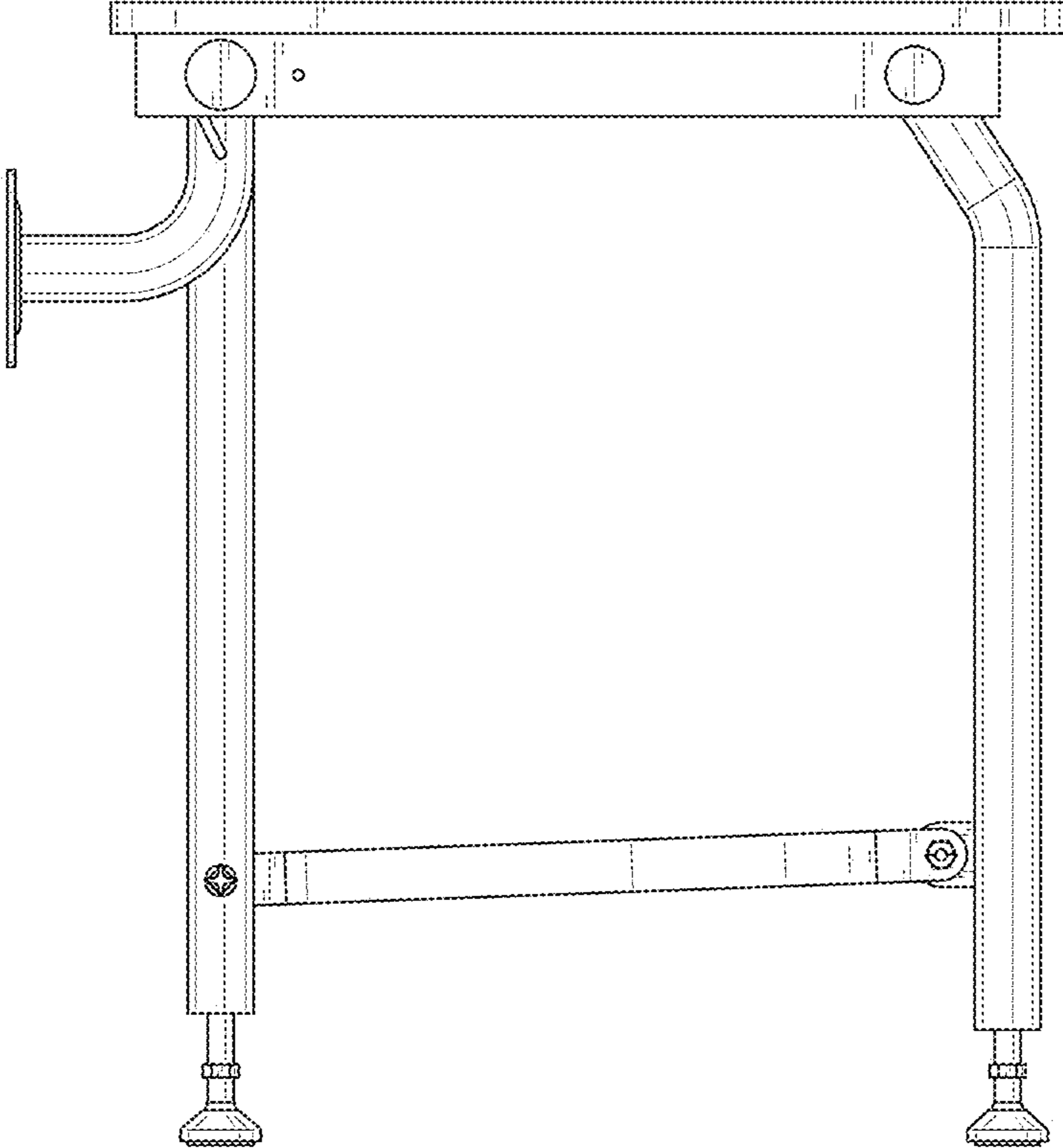


FIG. 4

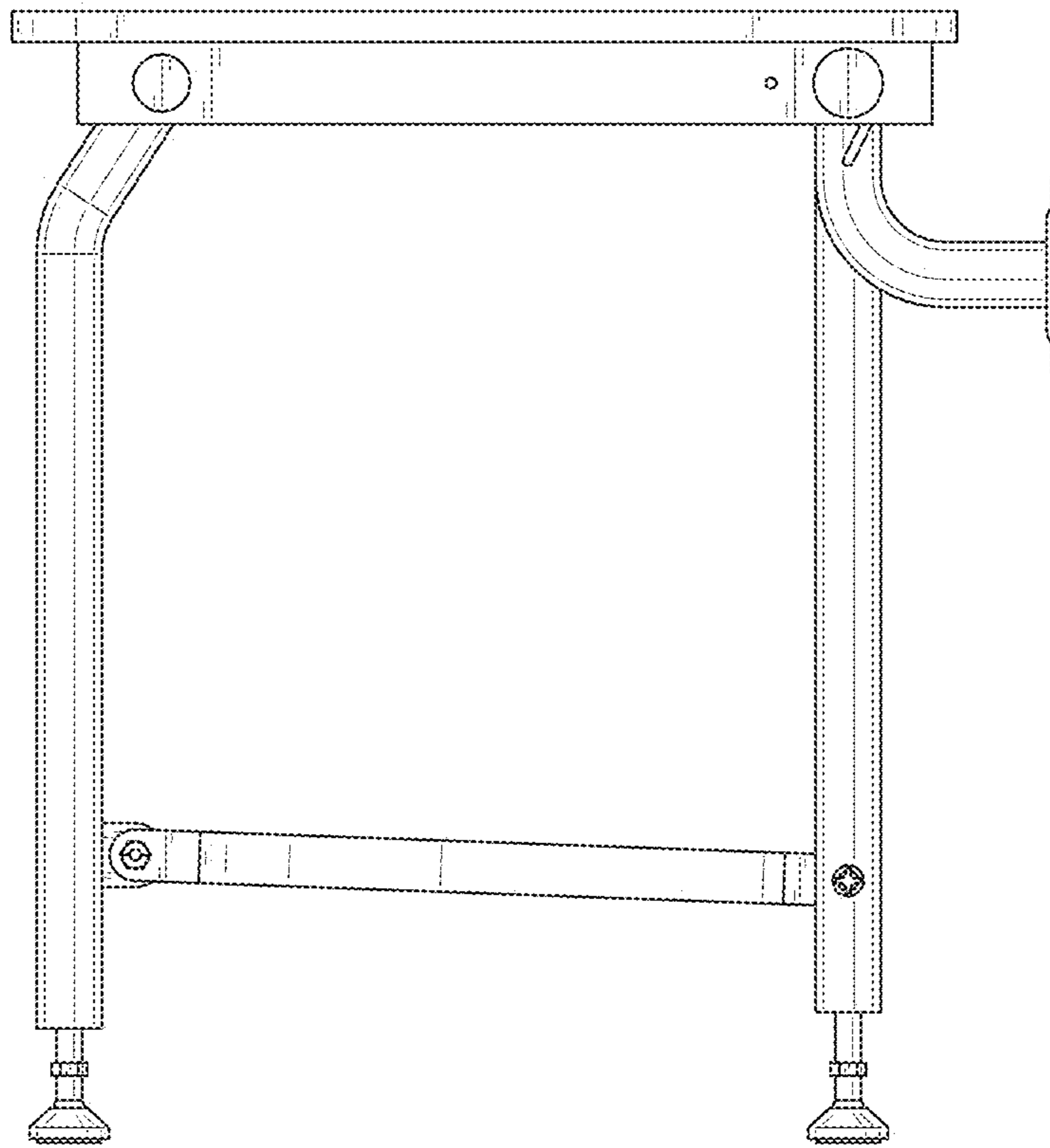


FIG. 5

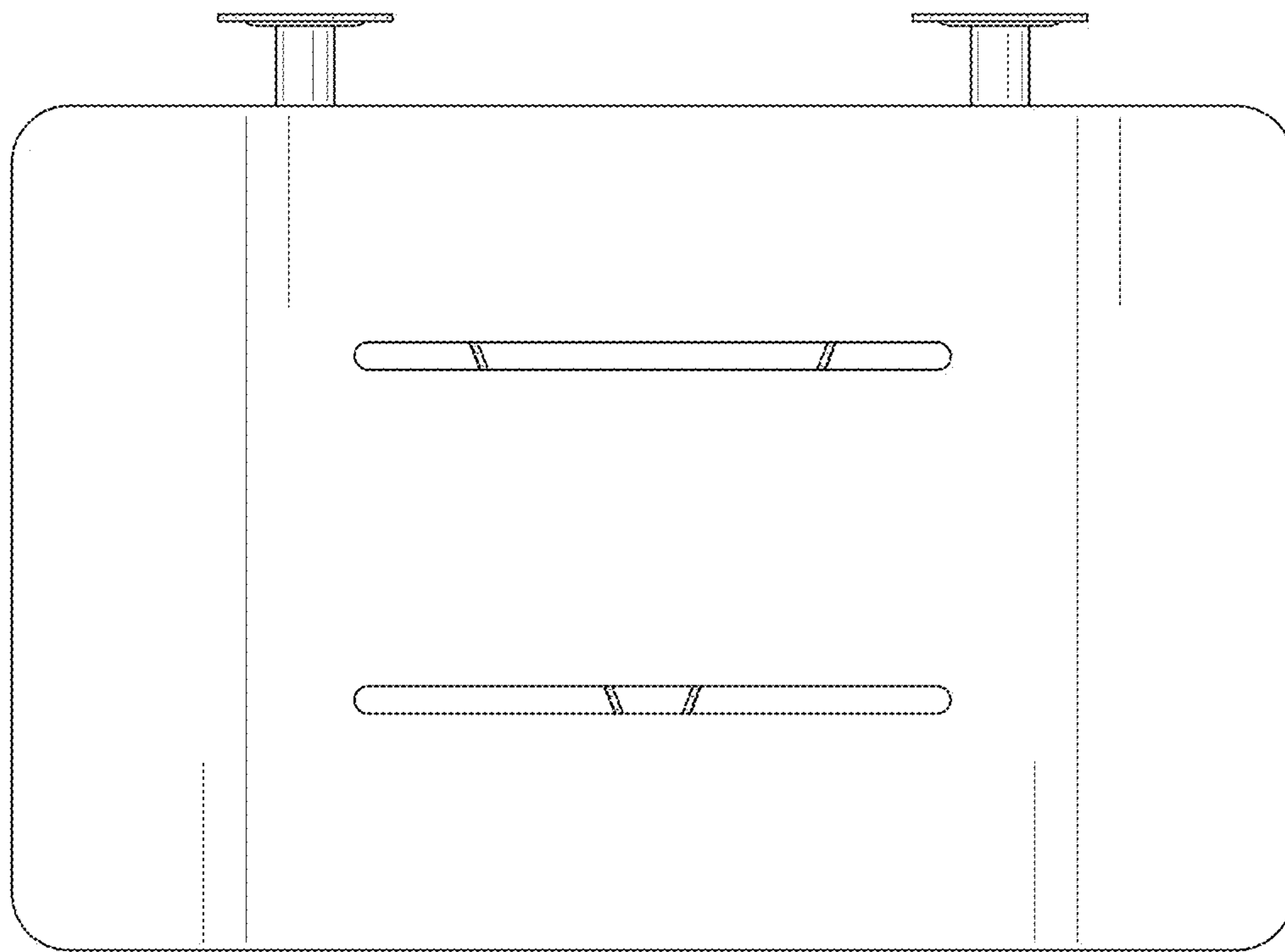


FIG. 6

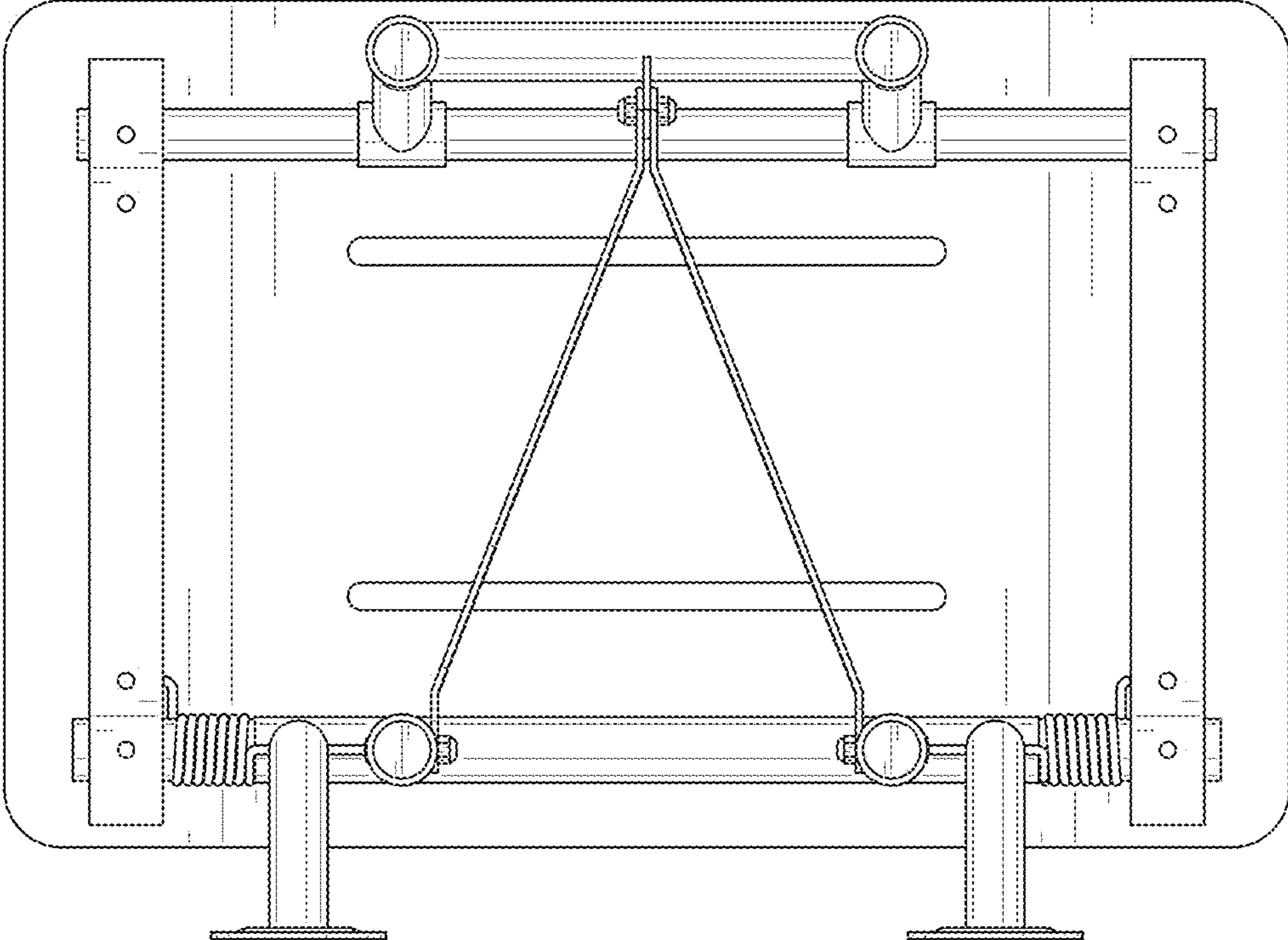


FIG. 7