



US00D965996S

(12) **United States Design Patent** (10) **Patent No.:** **US D965,996 S**
Bell (45) **Date of Patent:** **** Oct. 11, 2022**

(54) **SEAT SHELTER**

OTHER PUBLICATIONS

(71) Applicant: **Warwick Burns Bell**, Waipu (NZ)

6 Person Escape Pod with Acoustic Foam Interior and Cushioned Seating [online], [site visited Feb. 23, 2022]. Available from internet, URL: <https://www.costcuttersuk.com/6-person-escape-pod-with-acoustic-foam-interior-and-cushioned-seating.html> (Year: 2022).*
Luxury Rotating Seater Garden Pod [online], [site visited Feb. 23, 2022]. Available from internet, URL: <https://www.cuckooland.com/brand/ornate-garden/luxury-rotating-seater-garden-pod> (Year: 2022).*

(72) Inventor: **Warwick Burns Bell**, Waipu (NZ)

(**) Term: **15 Years**

* cited by examiner

(21) Appl. No.: **29/715,197**

(22) Filed: **Nov. 28, 2019**

(51) **LOC (13) Cl.** **06-01**

Primary Examiner — Cynthia Ramirez

(52) **U.S. Cl.**

Assistant Examiner — Xavier Marti-Santos

USPC **D6/338**; D25/56

(74) *Attorney, Agent, or Firm* — JCIP; Joseph G. Chu;

(58) **Field of Classification Search**

Jeremy I. Maynard

USPC D6/335, 336, 338, 342, 353, 357,
D6/374–381, 401.1, 643, 650, 716,
D6/716.1–716.8; D25/16, 31, 33, 35, 56
CPC .. A47C 17/86; A47C 7/24; A47C 7/30; A47C
5/00; A47C 31/02

(57) **CLAIM**

The ornamental design for a seat shelter, as shown and described.

See application file for complete search history.

DESCRIPTION

(56) **References Cited**

FIG. 1 is a top perspective view of a seat shelter showing my new design;

U.S. PATENT DOCUMENTS

FIG. 2 is a bottom perspective view thereof;

D210,069 S * 2/1968 Cornelius D25/19
4,826,245 A * 5/1989 Entratter A47C 7/723
248/917

FIG. 3 is a front view thereof;

D605,306 S * 12/2009 Arnell D25/31
D761,576 S * 7/2016 Agati D6/338
D785,374 S * 5/2017 Holbrook D6/643

FIG. 4 is a rear view thereof;

D789,104 S * 6/2017 Webb D6/336
D850,129 S * 6/2019 Webb D6/338
D850,130 S * 6/2019 Webb D6/338

FIG. 5 is a left side thereof;

10,626,602 B2 * 4/2020 Holbrook E04B 2/7433
D885,774 S * 6/2020 Bonneywell D6/334
2007/0261315 A1 * 11/2007 Ludwig E04B 2/7422
52/234

FIG. 6 is a right side view thereof;

FIG. 7 is a top view thereof;

FIG. 8 is a bottom view thereof;

FIG. 9 is a cross-sectional top down view through the line 9-9 in FIG. 3; and,

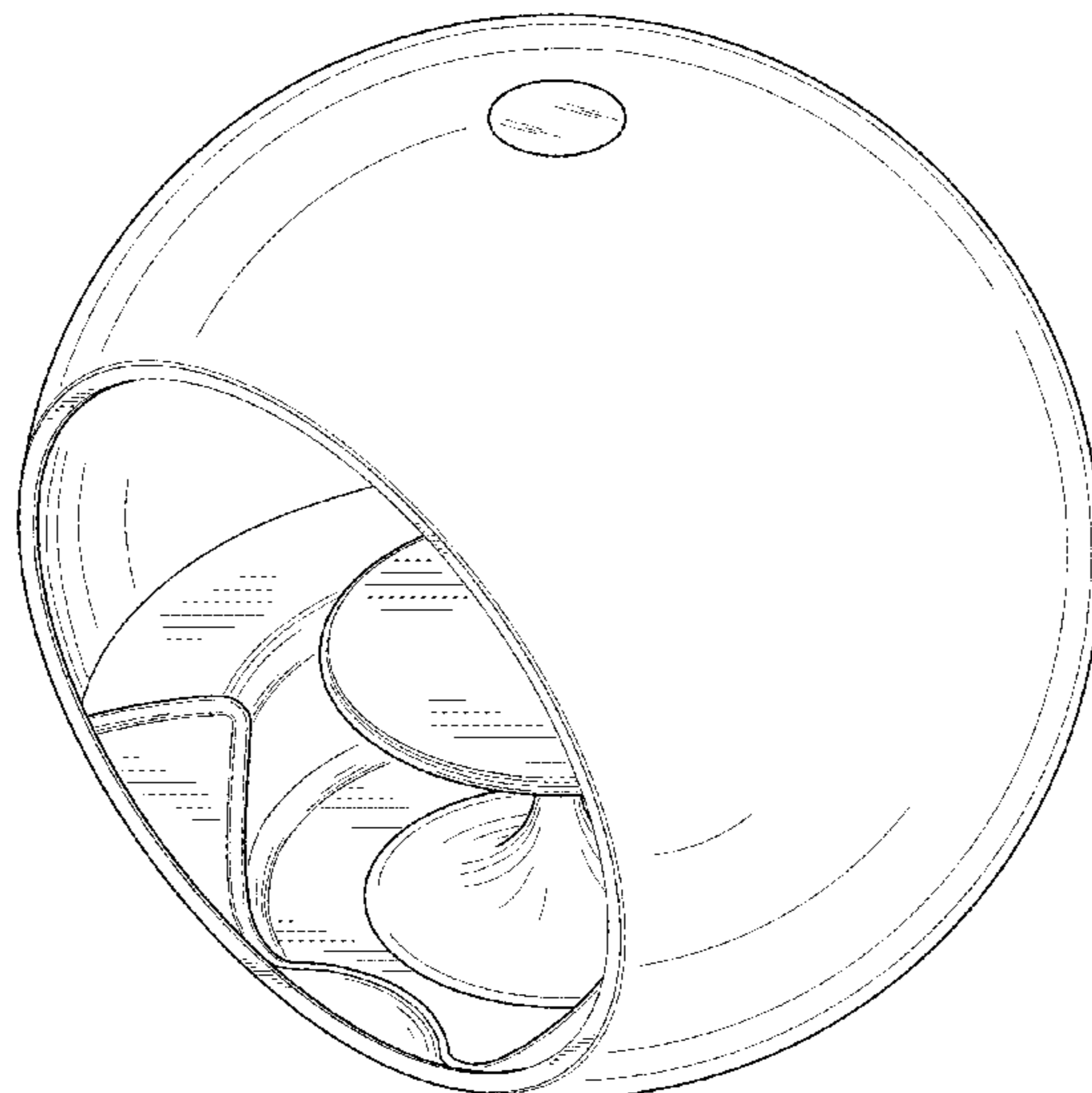
FIG. 10 is a cross-sectional perspective view through the line 10-10 in the FIG. 3.

The broken lines in the figures are for the purpose of illustrating portions of the seat shelter, which form no part of the claimed design. The dash-dot broken lines in the figures are demarcating the section cuts and form no part of the claimed design.

FOREIGN PATENT DOCUMENTS

EM 005864501-0001 * 2/2019
GB 9005864501-0001 * 12/2018

1 Claim, 10 Drawing Sheets



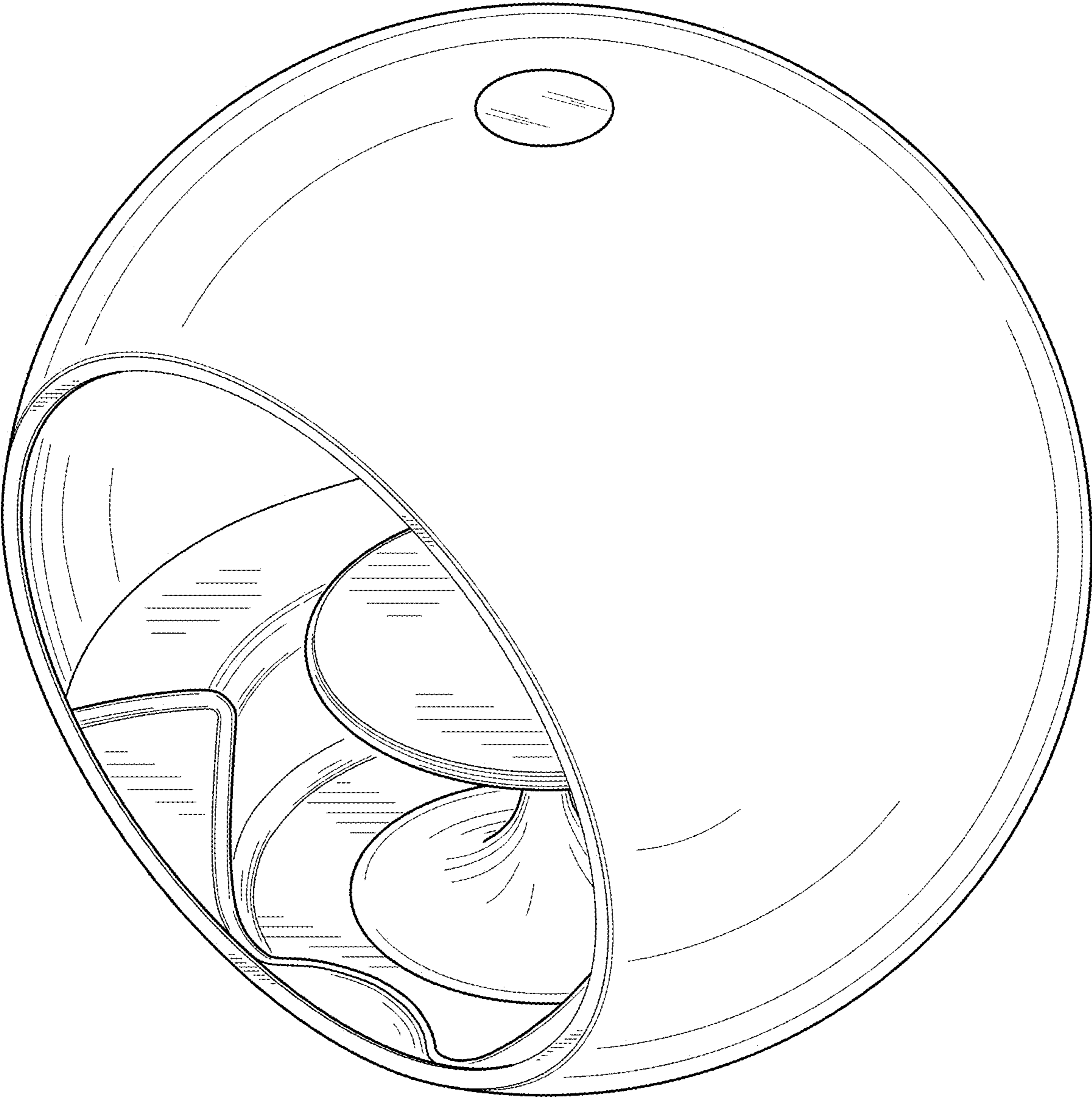


FIG. 1

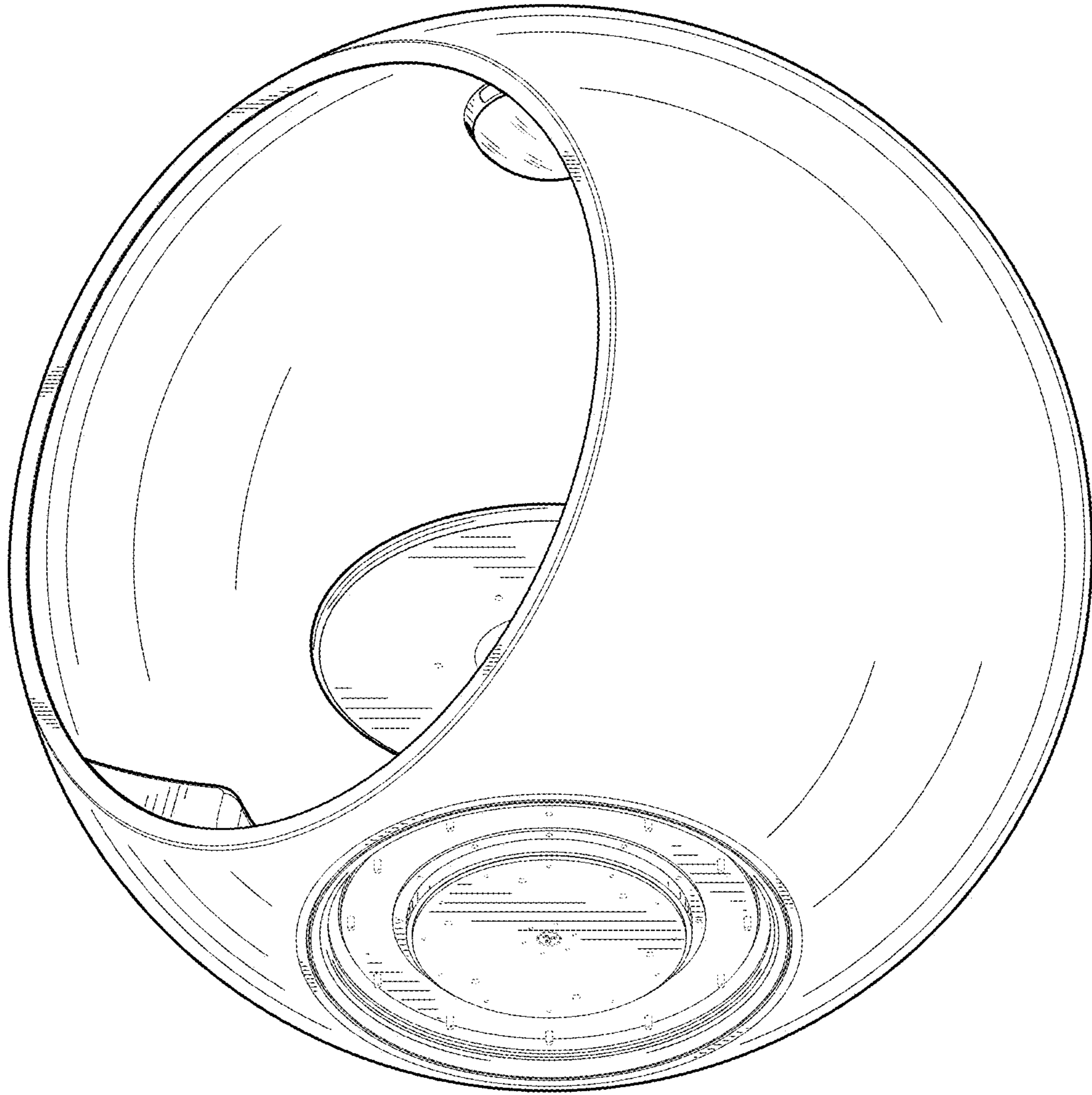


FIG. 2

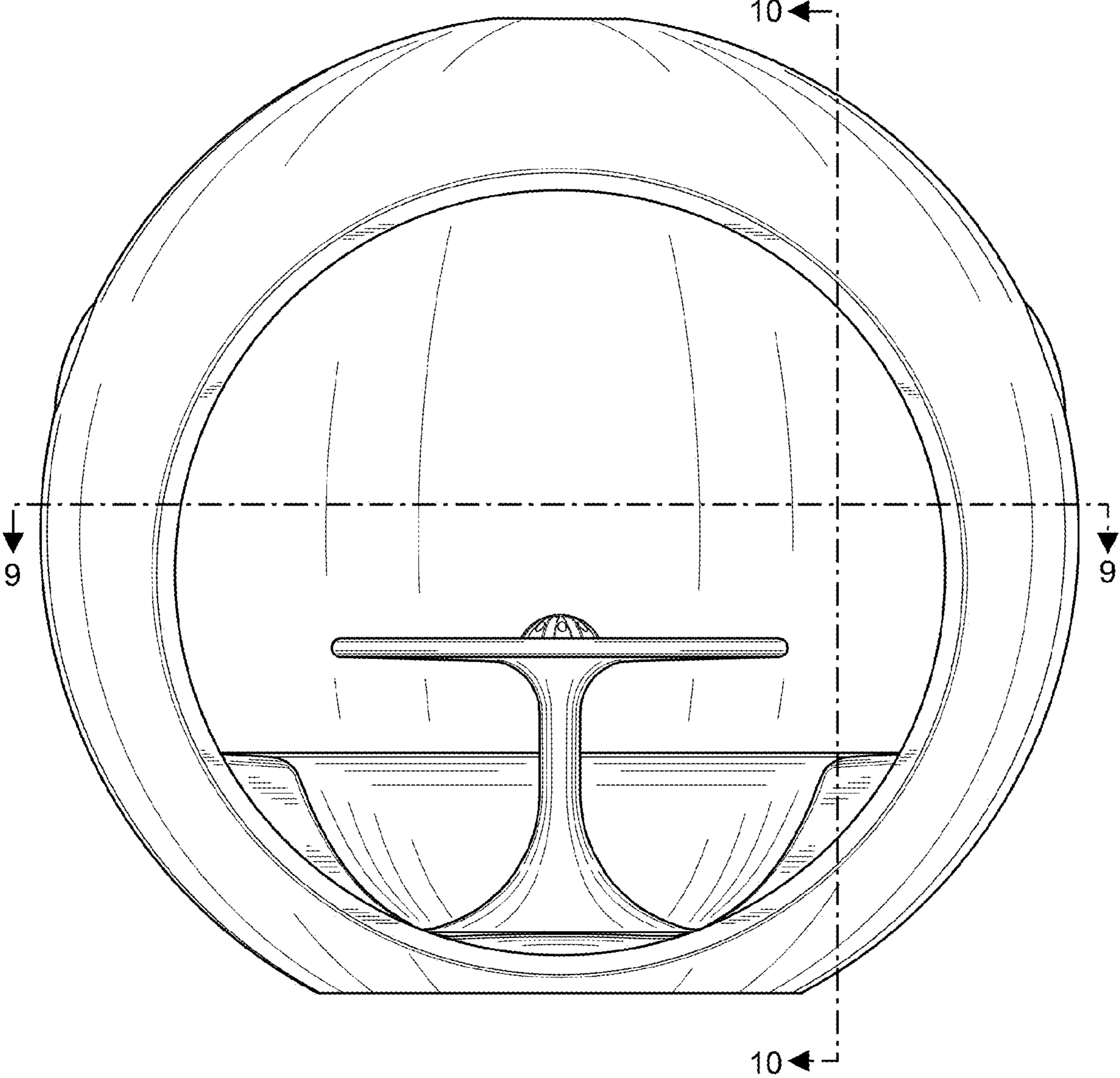


FIG. 3

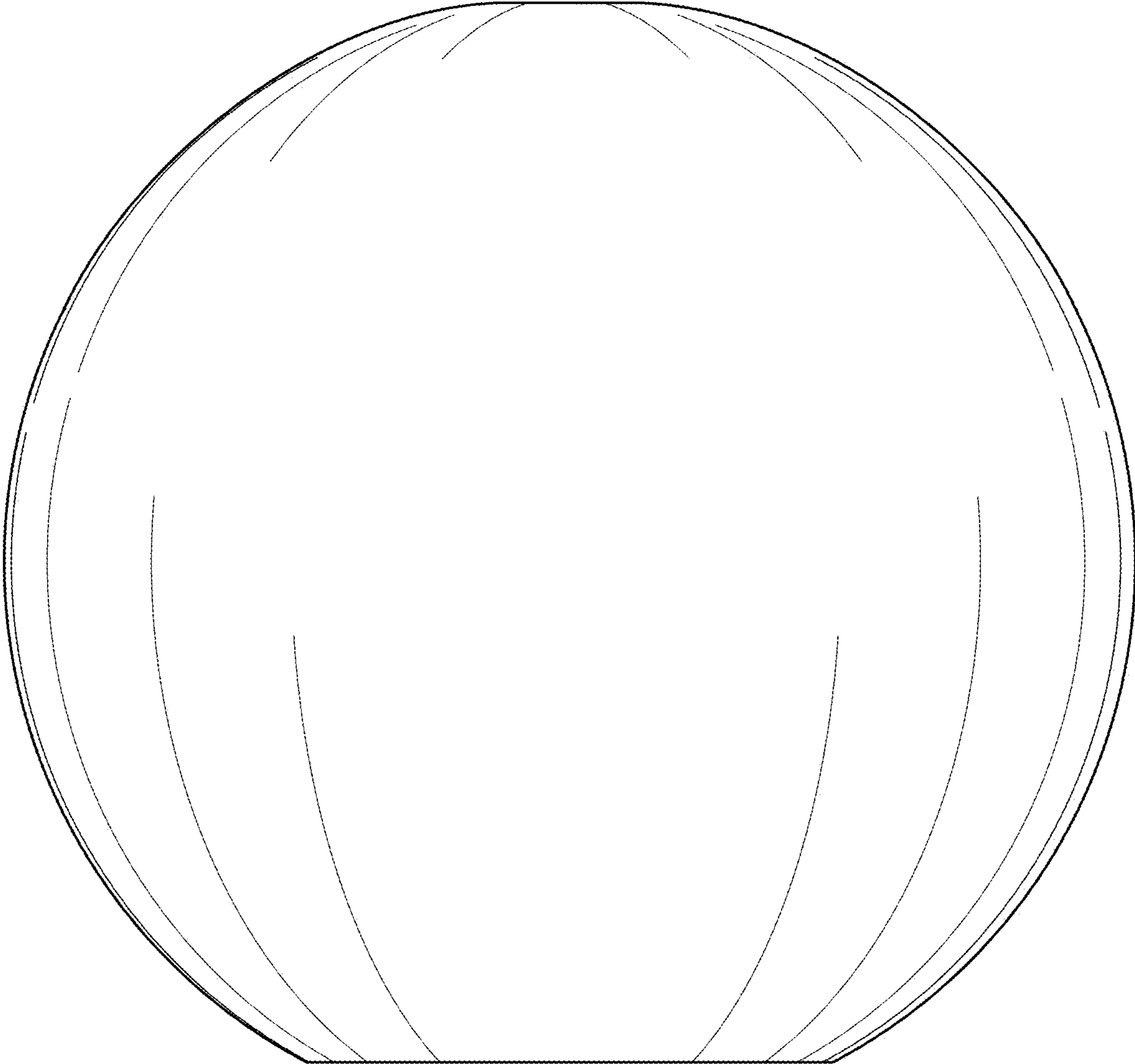


FIG. 4



FIG. 5

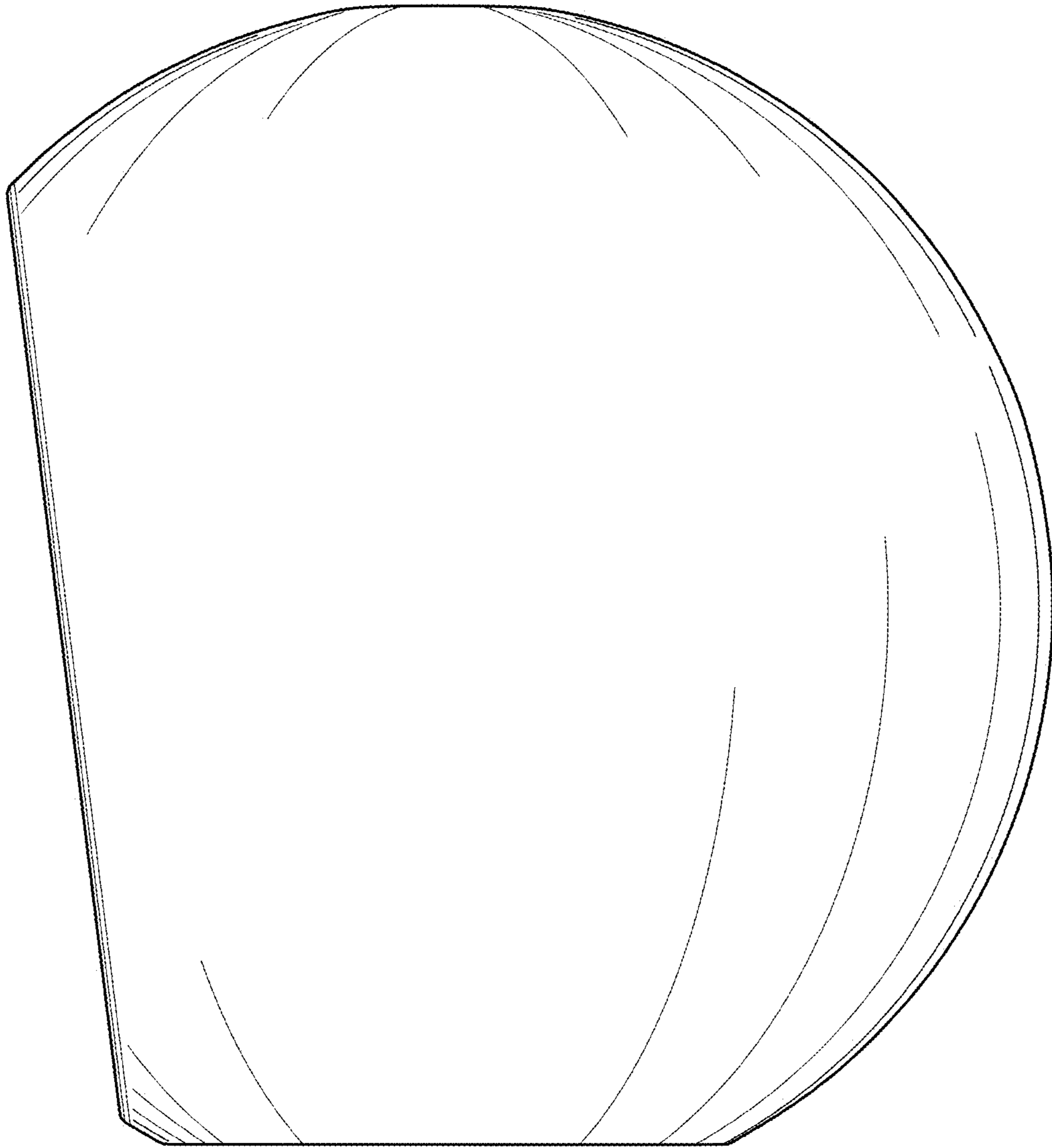


FIG. 6

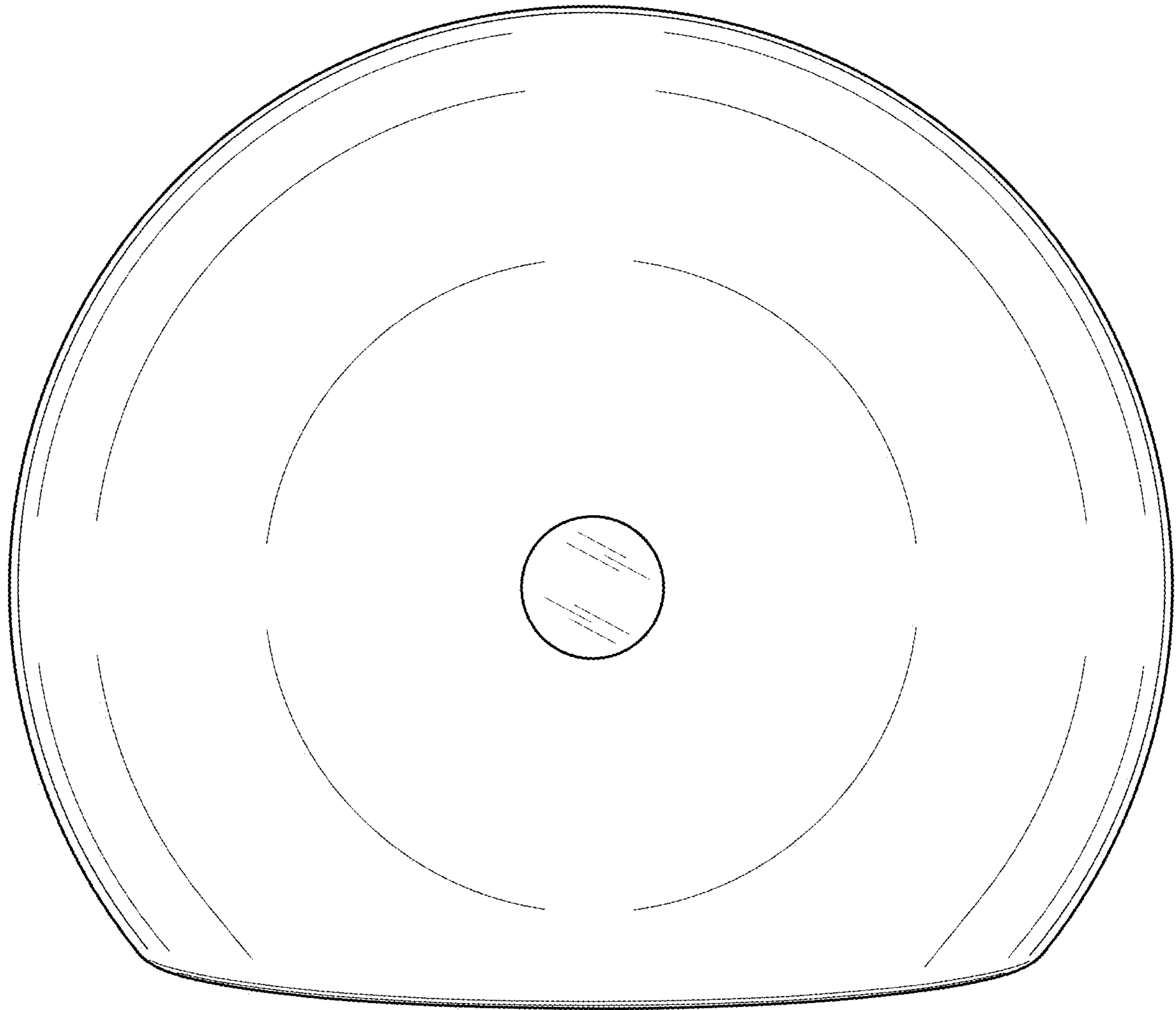


FIG. 7

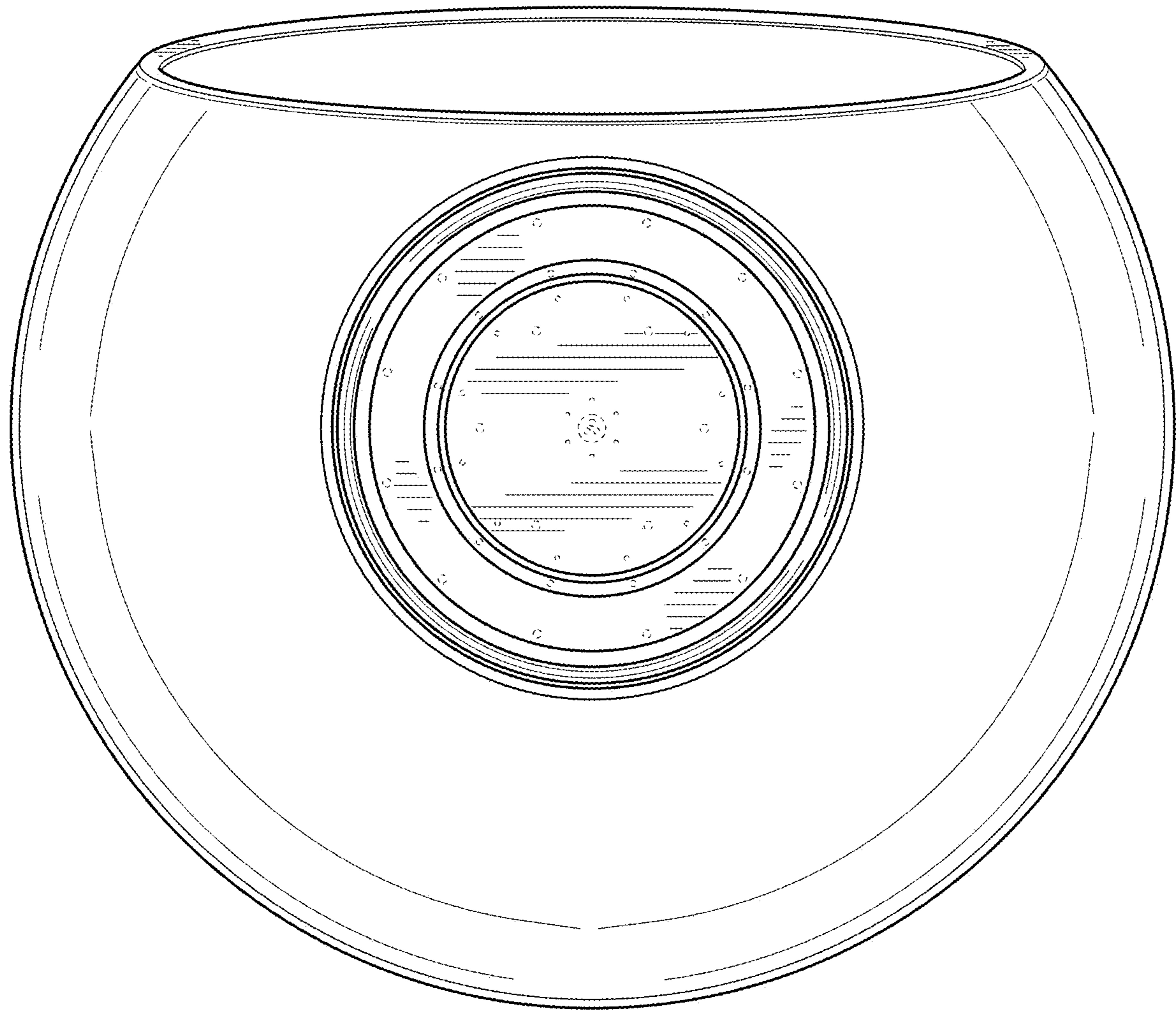


FIG. 8

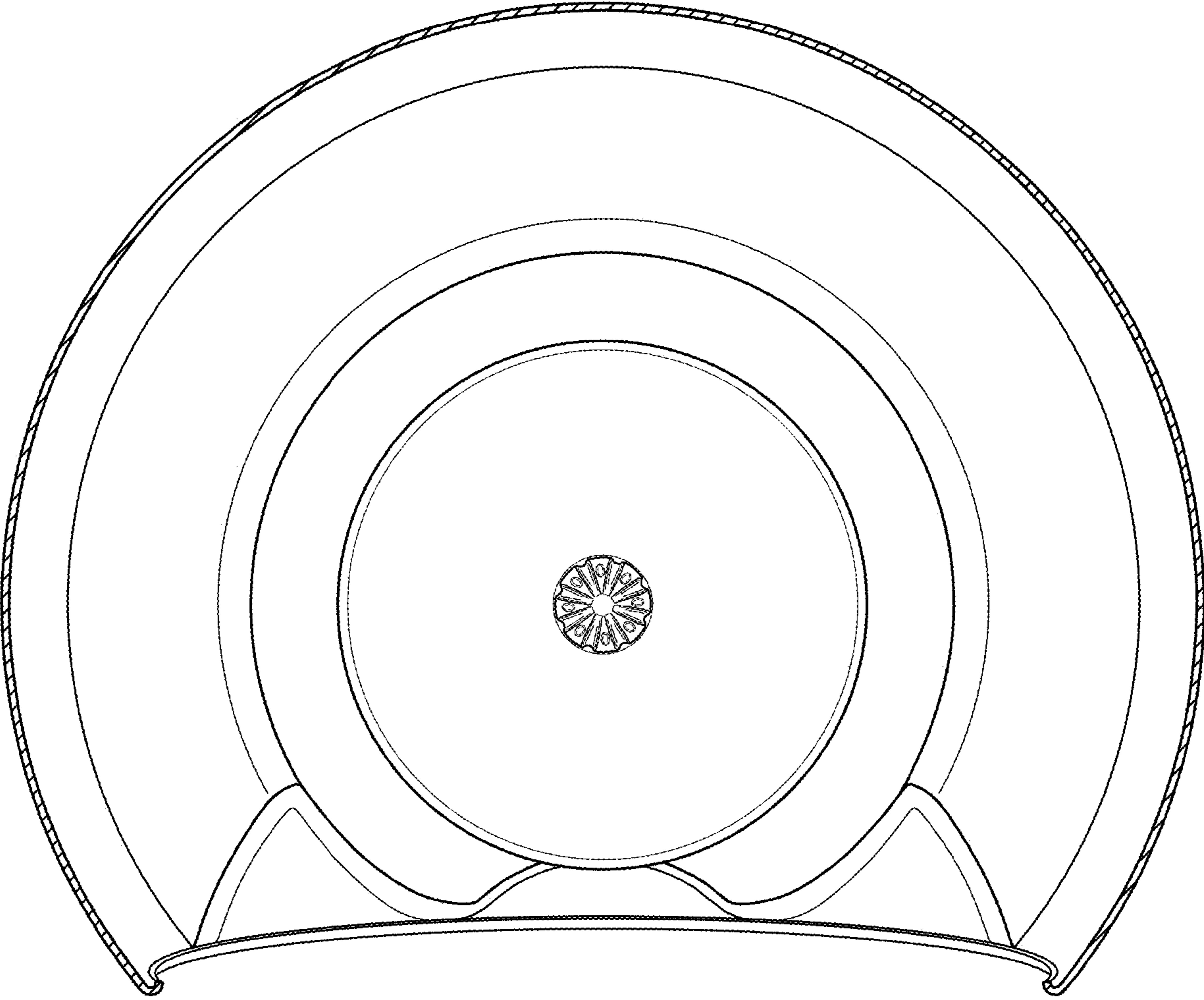


FIG. 9

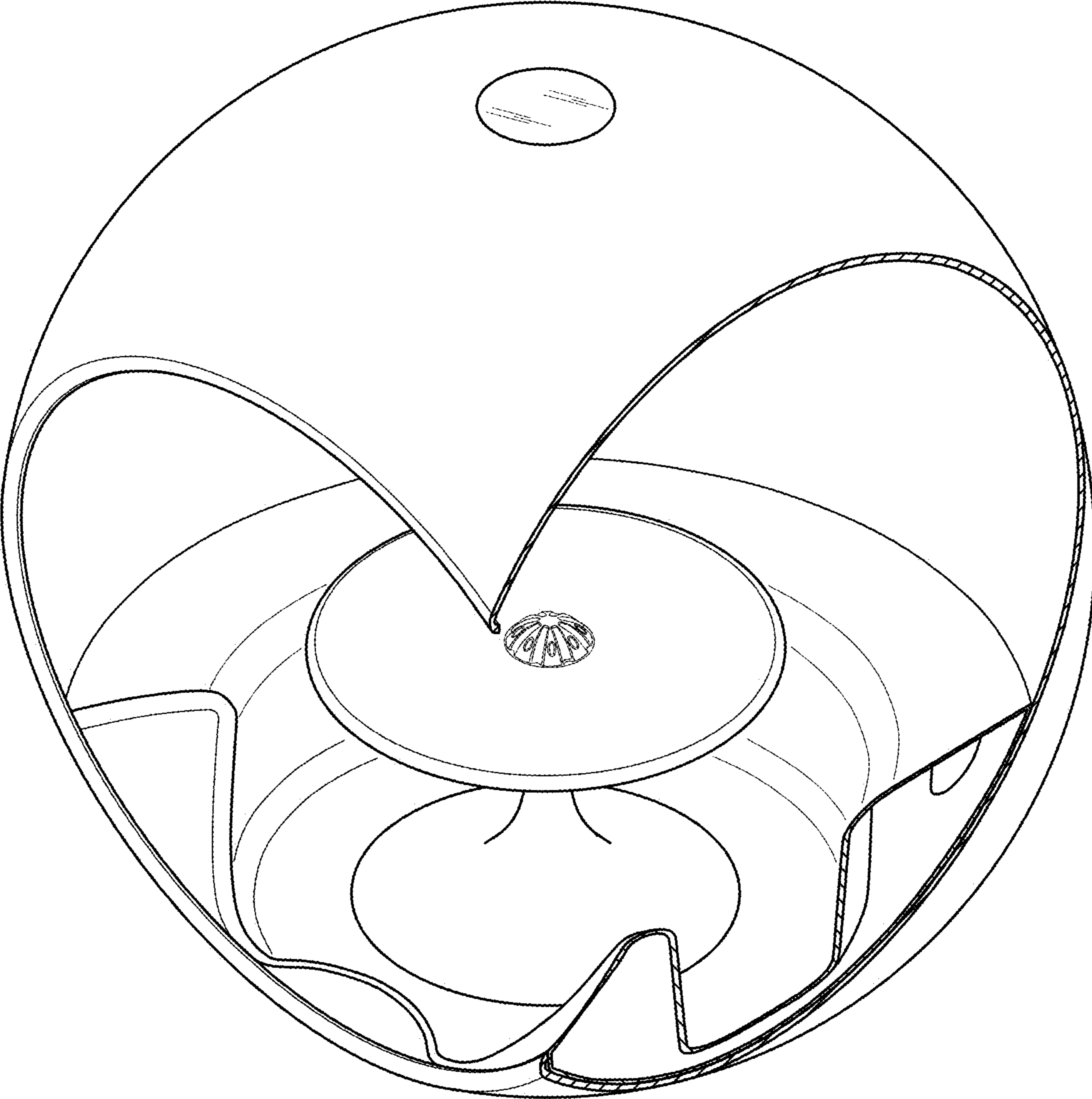


FIG. 10