



US00D965993S

(12) **United States Design Patent** (10) **Patent No.:** **US D965,993 S**
Morris et al. (45) **Date of Patent:** **** Oct. 11, 2022**

(54) **HAT HOLDER**
(71) Applicant: **Wilris LLC**, Arvada, CO (US)
(72) Inventors: **Chase William Morris**, Arvada, CO (US); **Ryne Wilson**, Northglenn, CO (US)
(73) Assignee: **Wilris LLC**, Arvada, CO (US)
(**) Term: **15 Years**
(21) Appl. No.: **29/772,555**
(22) Filed: **Mar. 2, 2021**
(51) **LOC (13) Cl.** **06-08**
(52) **U.S. Cl.**
USPC **D6/327; D6/513**
(58) **Field of Classification Search**
USPC D6/315, 317, 318, 319, 320, 323, 324, D6/325, 326, 327, 512, 513, 552, 553, D6/556, 566, 567, 572, 573, 574; D8/367, 372, 373, 380, 381
CPC A47G 25/10; A47G 25/403; A47G 25/005; A47G 25/74
See application file for complete search history.

5,188,325 A * 2/1993 Hilty A47F 7/06 211/32
5,630,516 A * 5/1997 Helman A47F 7/06 211/32
6,079,679 A 6/2000 Mitchell
D465,724 S 11/2002 Goodman et al.
6,672,551 B2 1/2004 Rivellino et al.
D647,710 S * 11/2011 Anderson A47F 7/19 D6/327
D666,478 S * 9/2012 Chou D8/373
D715,627 S 10/2014 Pan et al.
9,182,074 B2 11/2015 Duenas
D858,116 S * 9/2019 Wierbicki D8/367
2013/0292523 A1 * 11/2013 Moore A47G 25/06 248/231.9
2013/0313387 A1 11/2013 Ly

FOREIGN PATENT DOCUMENTS

WO 2021178451 A1 9/2021
* cited by examiner

Primary Examiner — Lauren R Calve
(74) *Attorney, Agent, or Firm* — Elevated IP, LLC

(57) **CLAIM**

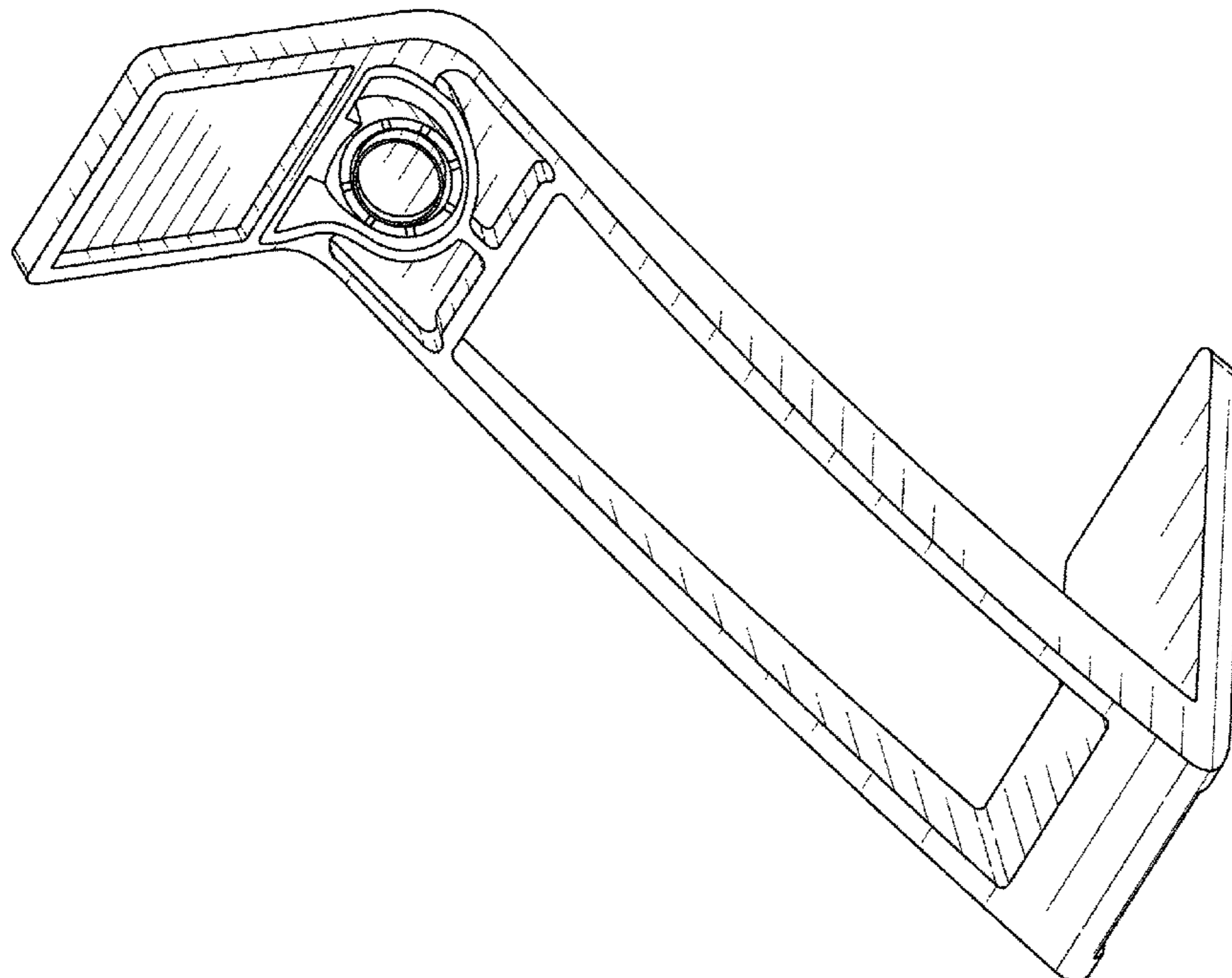
The ornamental design for a hat holder, as shown and described.

DESCRIPTION

FIG. 1 is a perspective view of a hat holder;
FIG. 2 is a front plan view thereof;
FIG. 3 is a back plan view thereof;
FIG. 4 is a left side plan view thereof;
FIG. 5 is a right side plan view thereof;
FIG. 6 is a top plan view thereof; and,
FIG. 7 is a bottom plan view thereof.

1 Claim, 5 Drawing Sheets

(56) **References Cited**
U.S. PATENT DOCUMENTS
451,568 A * 5/1891 Murrin A47G 25/10 248/304
1,403,004 A * 1/1922 Beckers A47G 25/10 248/229.16
1,450,535 A * 4/1923 Yoder A47G 25/10 211/31
D161,680 S * 1/1951 Cook D6/320
D269,486 S * 6/1983 Marrs D6/326



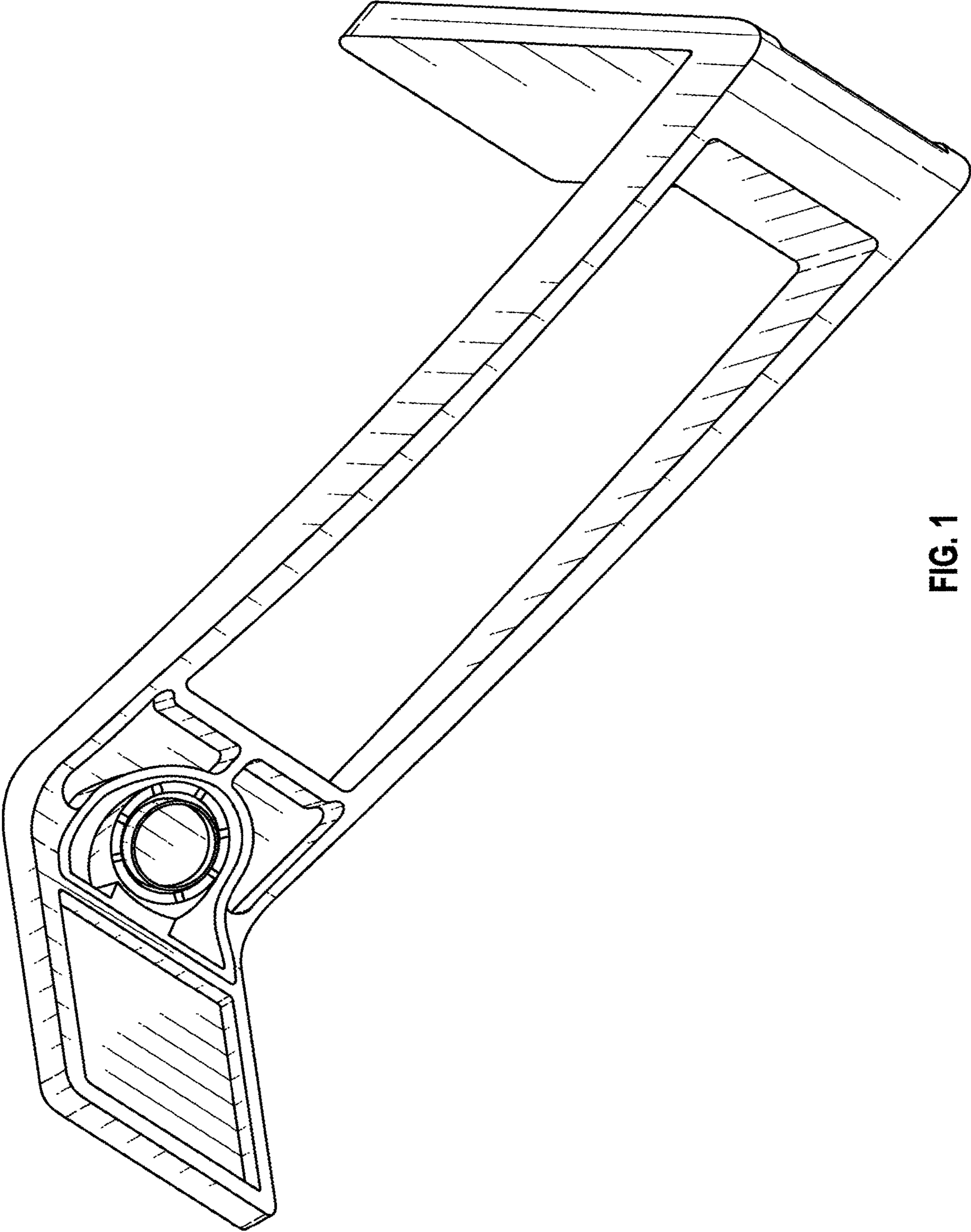


FIG. 1

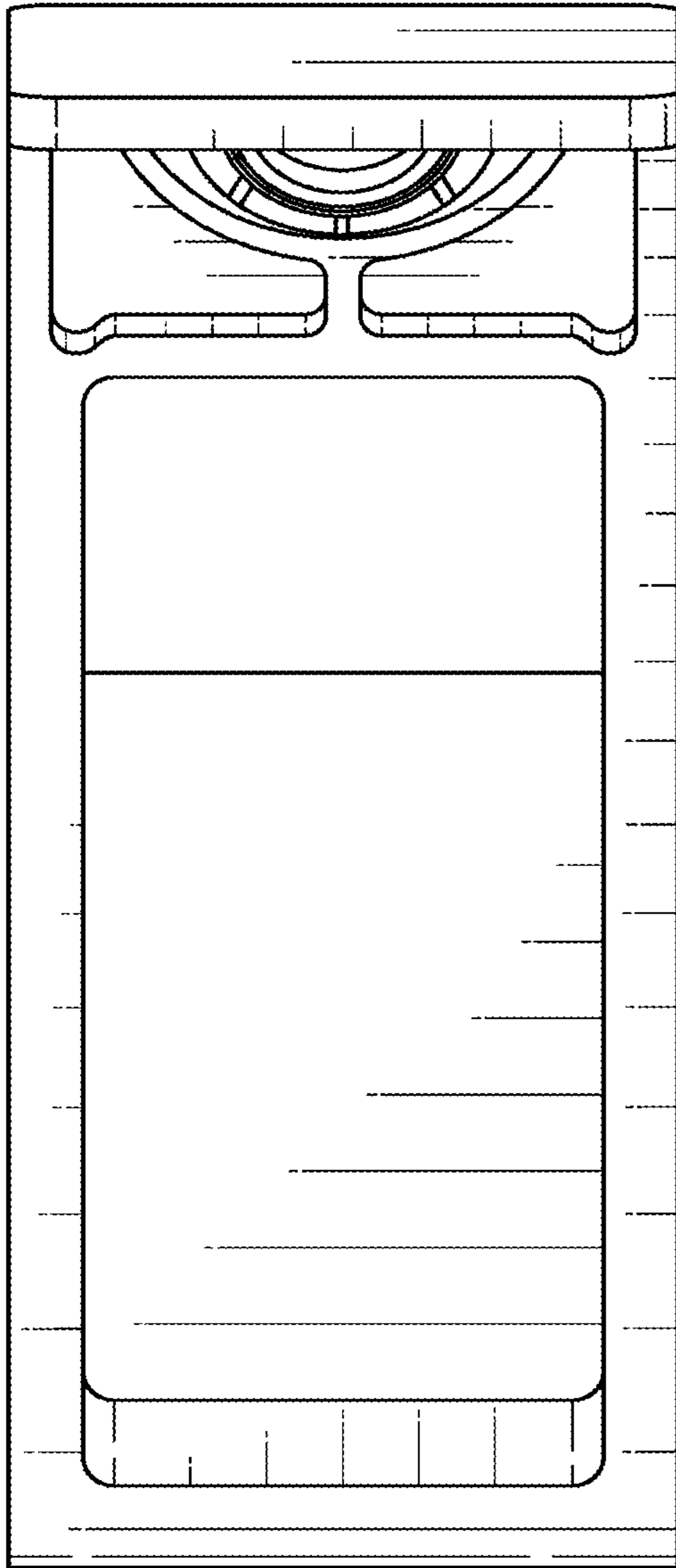


FIG. 2

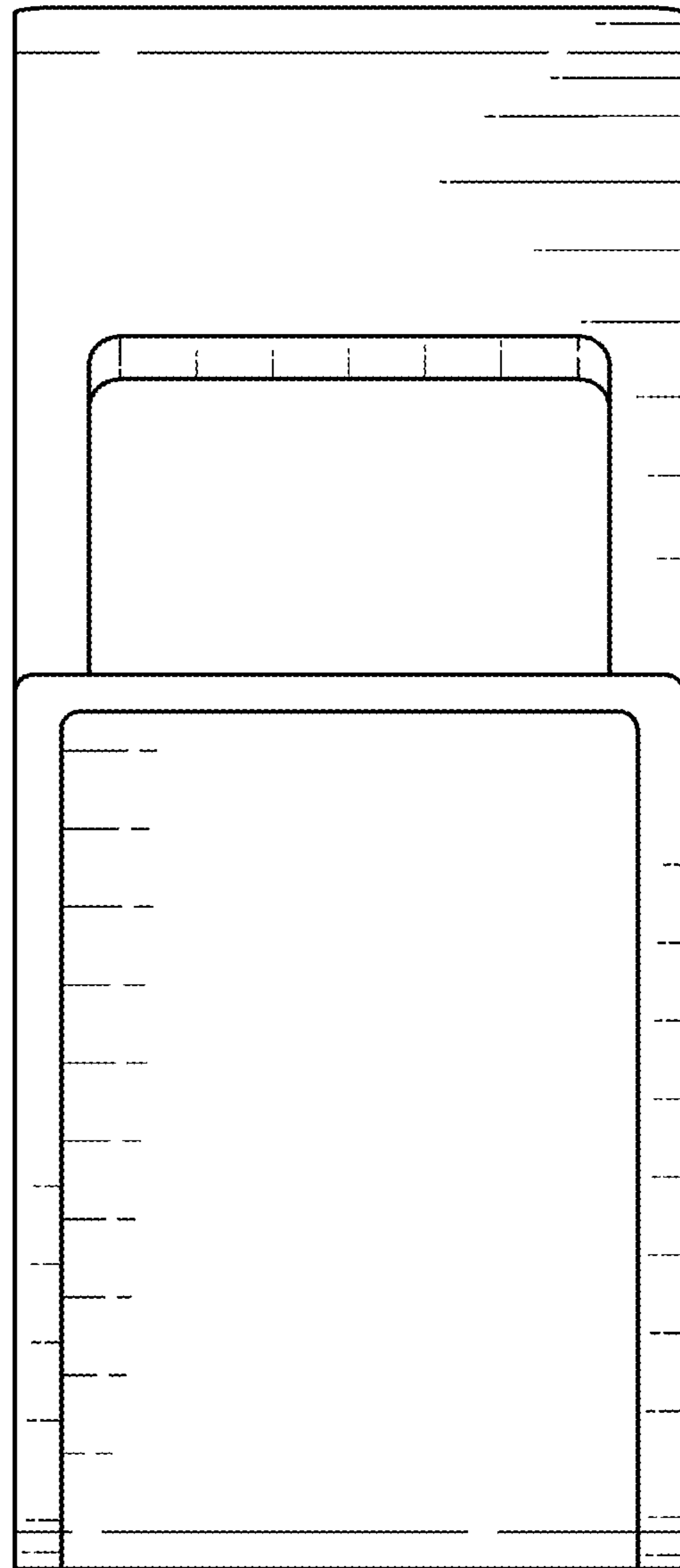


FIG. 3

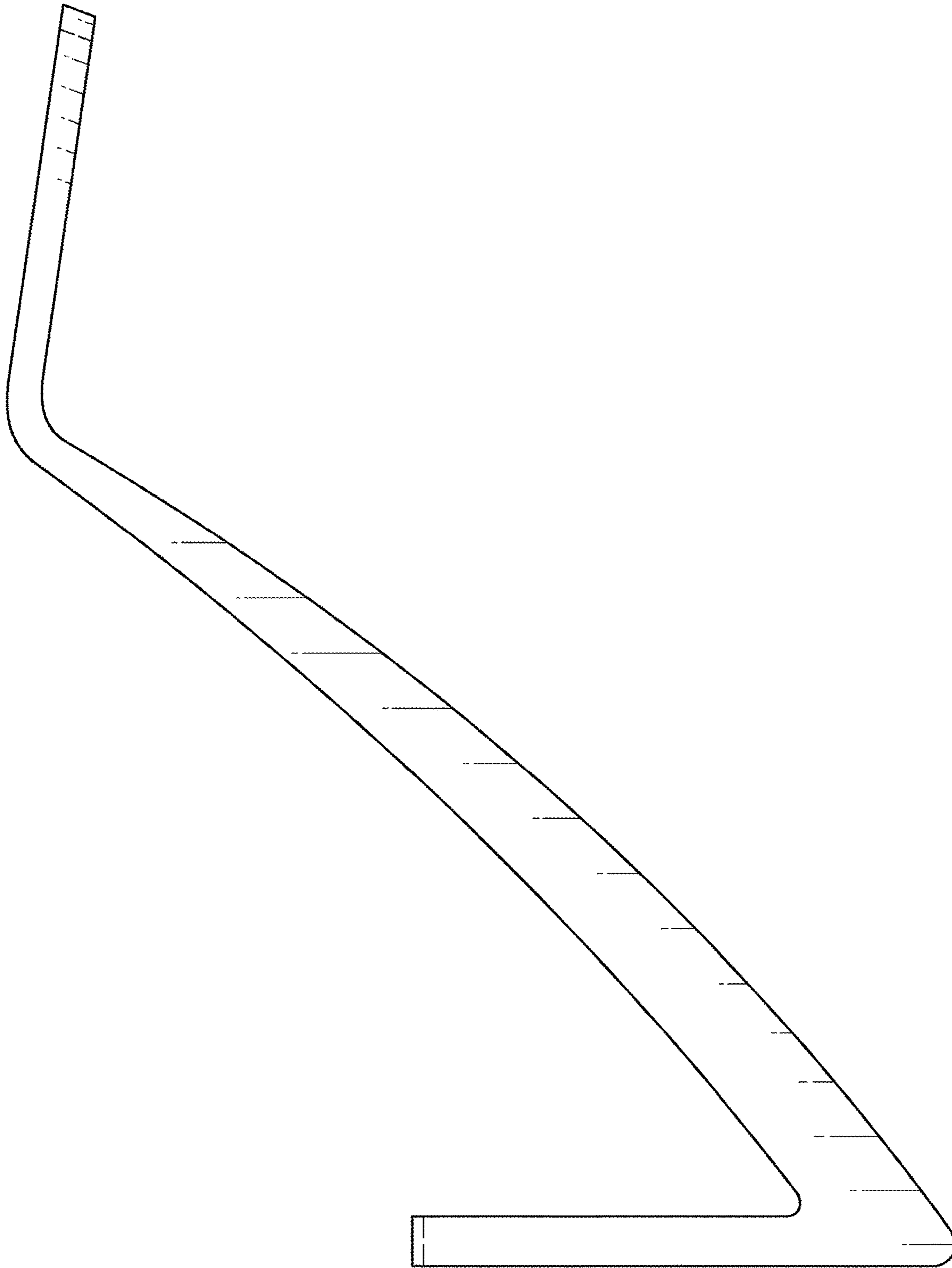


FIG. 4

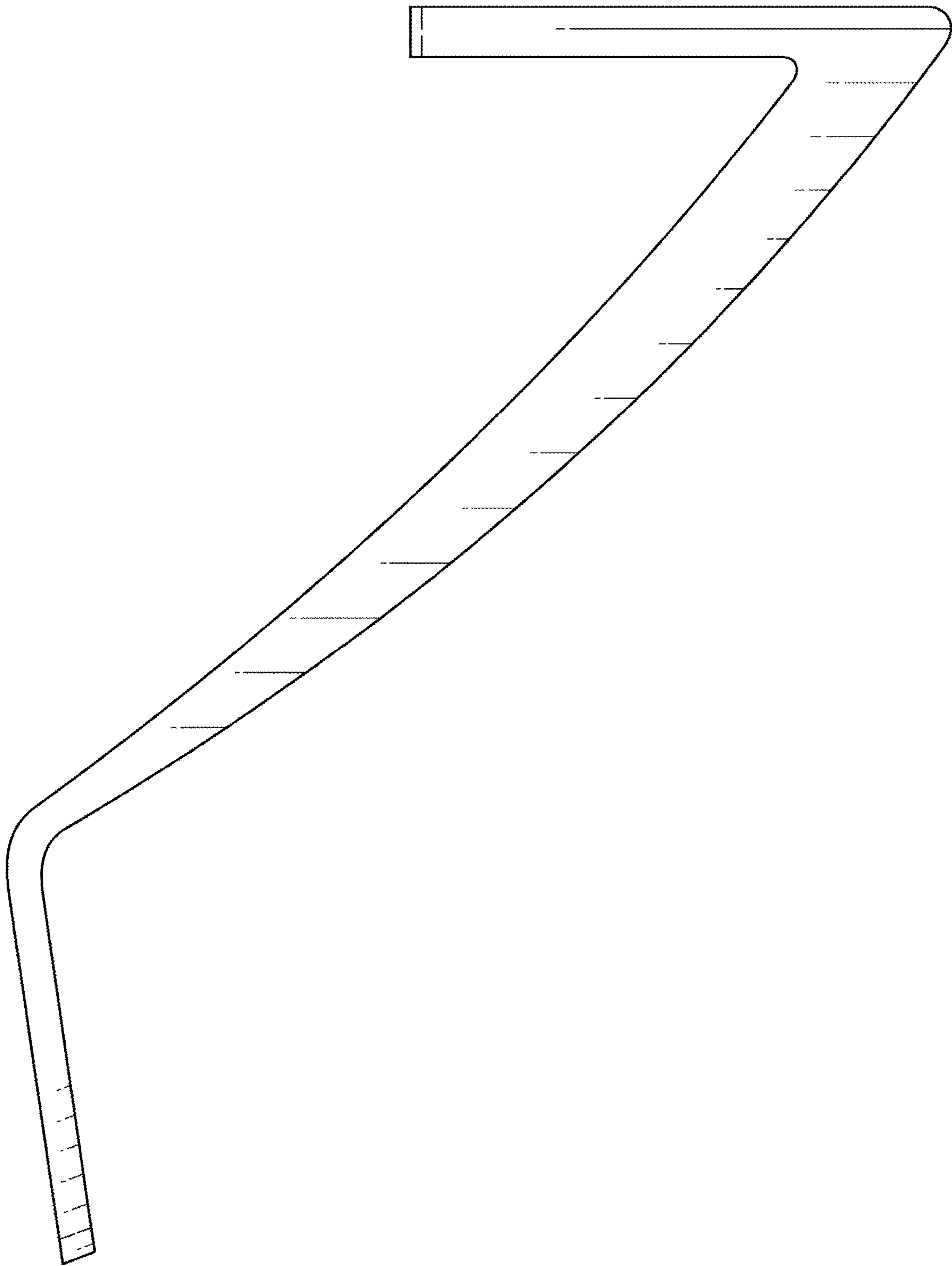


FIG. 5

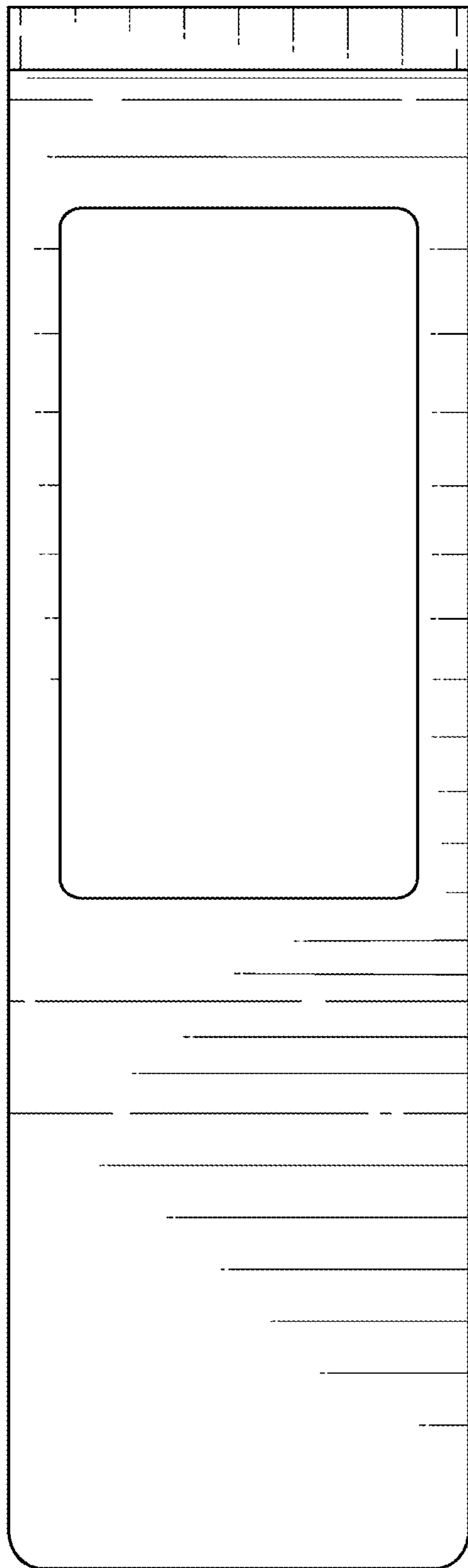


FIG. 6

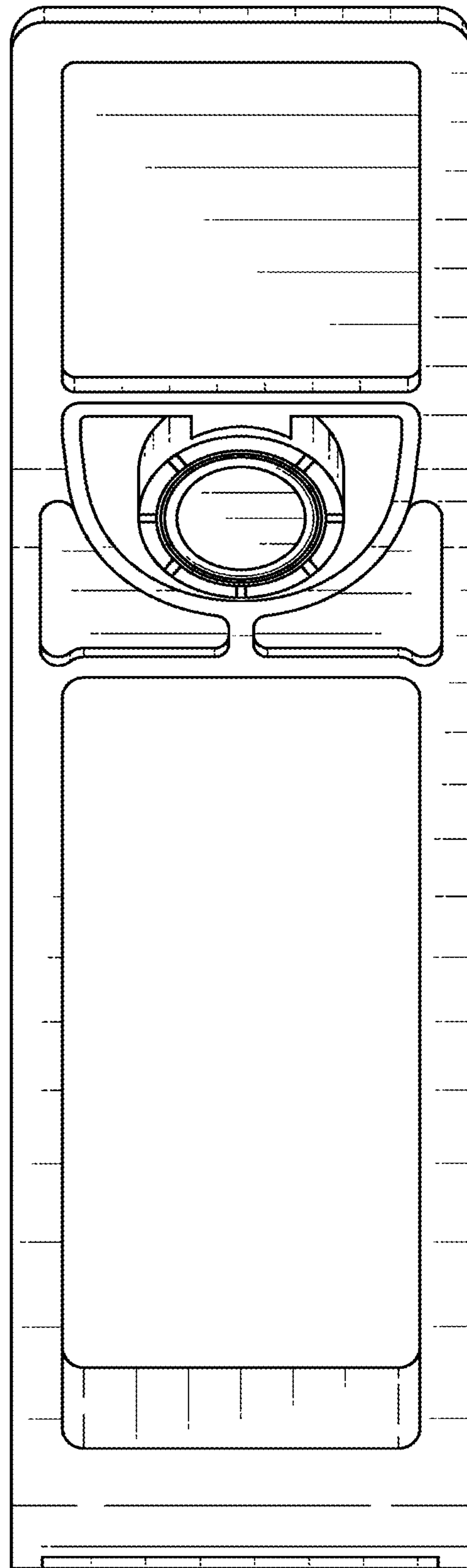


FIG. 7