



US00D965992S

(12) **United States Design Patent**
Zhang

(10) **Patent No.:** **US D965,992 S**

(45) **Date of Patent:** **** Oct. 11, 2022**

(54) **DIGITAL FRAME**

(71) Applicant: **Shenzhen Xinhonghai Precision Industry Co., Ltd., Shenzhen (CN)**

(72) Inventor: **Mingwu Zhang, Wugang (CN)**

(73) Assignee: **Shenzhen Xinhonghai Precision Industry Co., Ltd., Shenzhen (CN)**

(**) Term: **15 Years**

(21) Appl. No.: **29/818,933**

(22) Filed: **Dec. 10, 2021**

(51) **LOC (13) Cl.** **06-06**

(52) **U.S. Cl.**
USPC **D6/308; D14/371**

(58) **Field of Classification Search**
USPC D6/300-314; D10/15, 21, 24; D14/336, D14/371, 374, 375; D20/10
CPC G09G 2380/16
See application file for complete search history.

(56) **References Cited**

U.S. PATENT DOCUMENTS

D583,572 S	12/2008	Zhai et al.
D591,518 S	5/2009	Zhai et al.
D602,259 S	10/2009	Finnegan
D602,264 S	10/2009	Sheridoni
D609,018 S	2/2010	Tzeng et al.
D613,510 S	4/2010	Tzeng et al.
D613,951 S	4/2010	Tang et al.
D634,131 S	3/2011	Utsunomiya

D691,818 S	10/2013	Shibata et al.	
D818,723 S	5/2018	Moyer et al.	
D878,775 S	*	3/2020	Wang D14/371
D884,366 S	*	5/2020	Gao D14/371
D884,367 S	*	5/2020	Gao D14/371
D887,724 S	*	6/2020	Yu D14/371
D900,488 S	*	11/2020	Chu D14/341
D900,489 S	*	11/2020	Chu D14/341
D901,192 S	*	11/2020	Wang D14/371
D942,761 S	*	2/2022	Wang D6/308
D956,435 S	*	7/2022	Yao D6/308

* cited by examiner

Primary Examiner — Deanna L Pratt

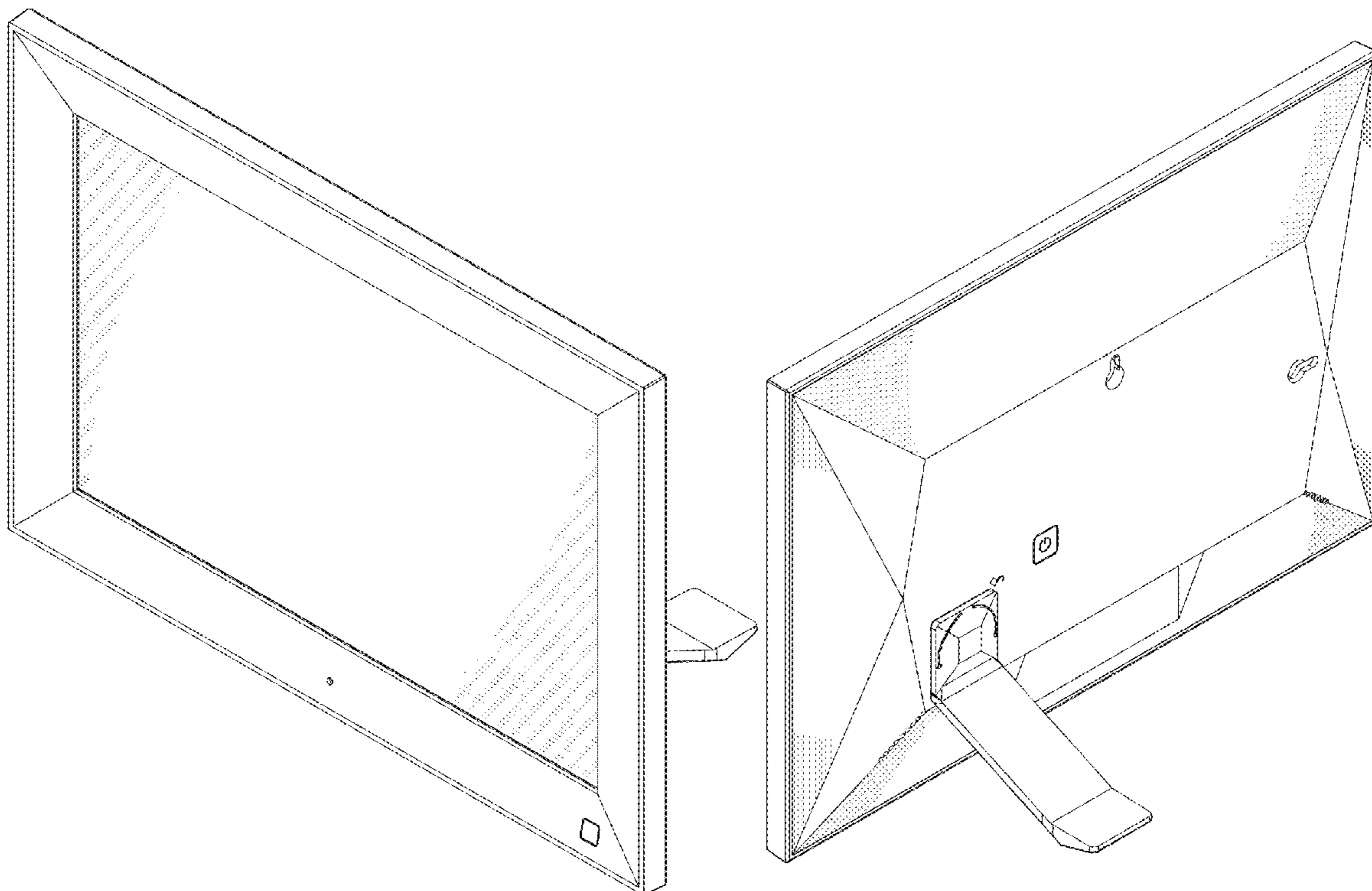
(57) **CLAIM**

The ornamental design for a digital frame, as shown and described.

DESCRIPTION

FIG. 1 is a front elevation view of a digital frame showing the new design;
FIG. 2 is a back elevation view thereof;
FIG. 3 is a left-side view thereof;
FIG. 4 is a right-side view thereof;
FIG. 5 is a top plan view thereof;
FIG. 6 is a bottom plan view thereof;
FIG. 7 is a perspective view thereof; and,
FIG. 8 is a perspective view thereof.
The broken lines depict portions of the digital frame that form no part of the claimed design.

1 Claim, 8 Drawing Sheets



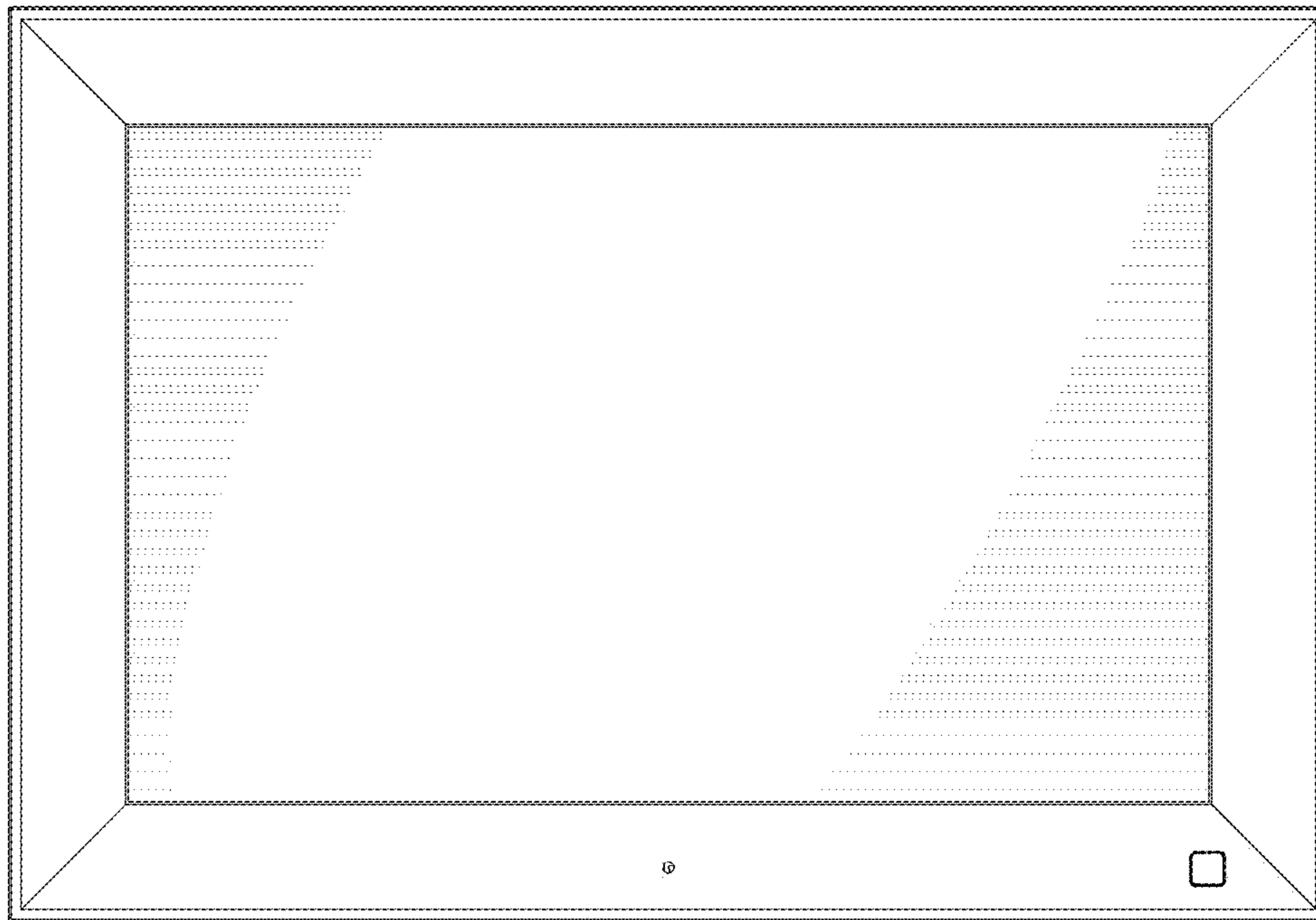


FIG. 1

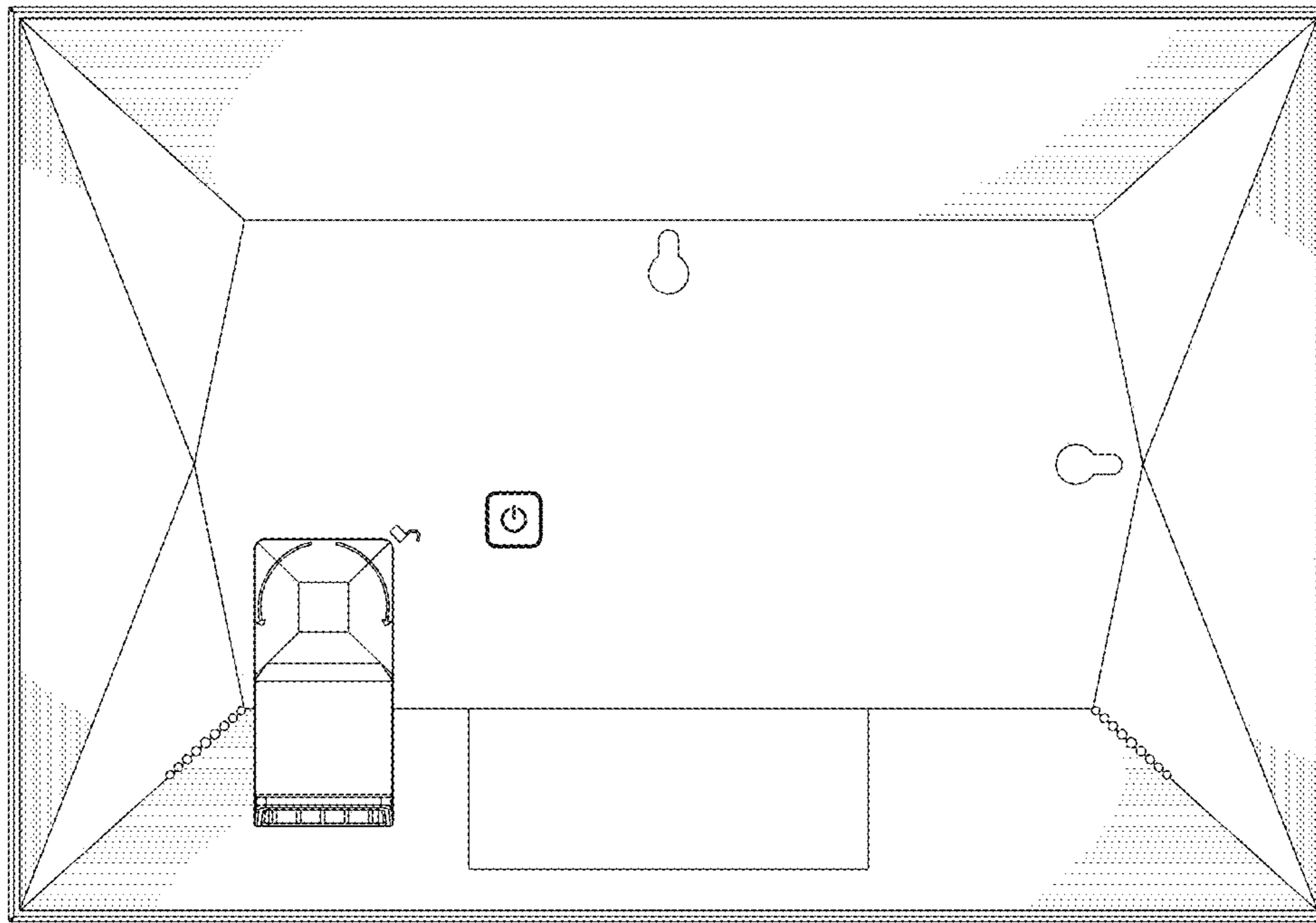


FIG. 2

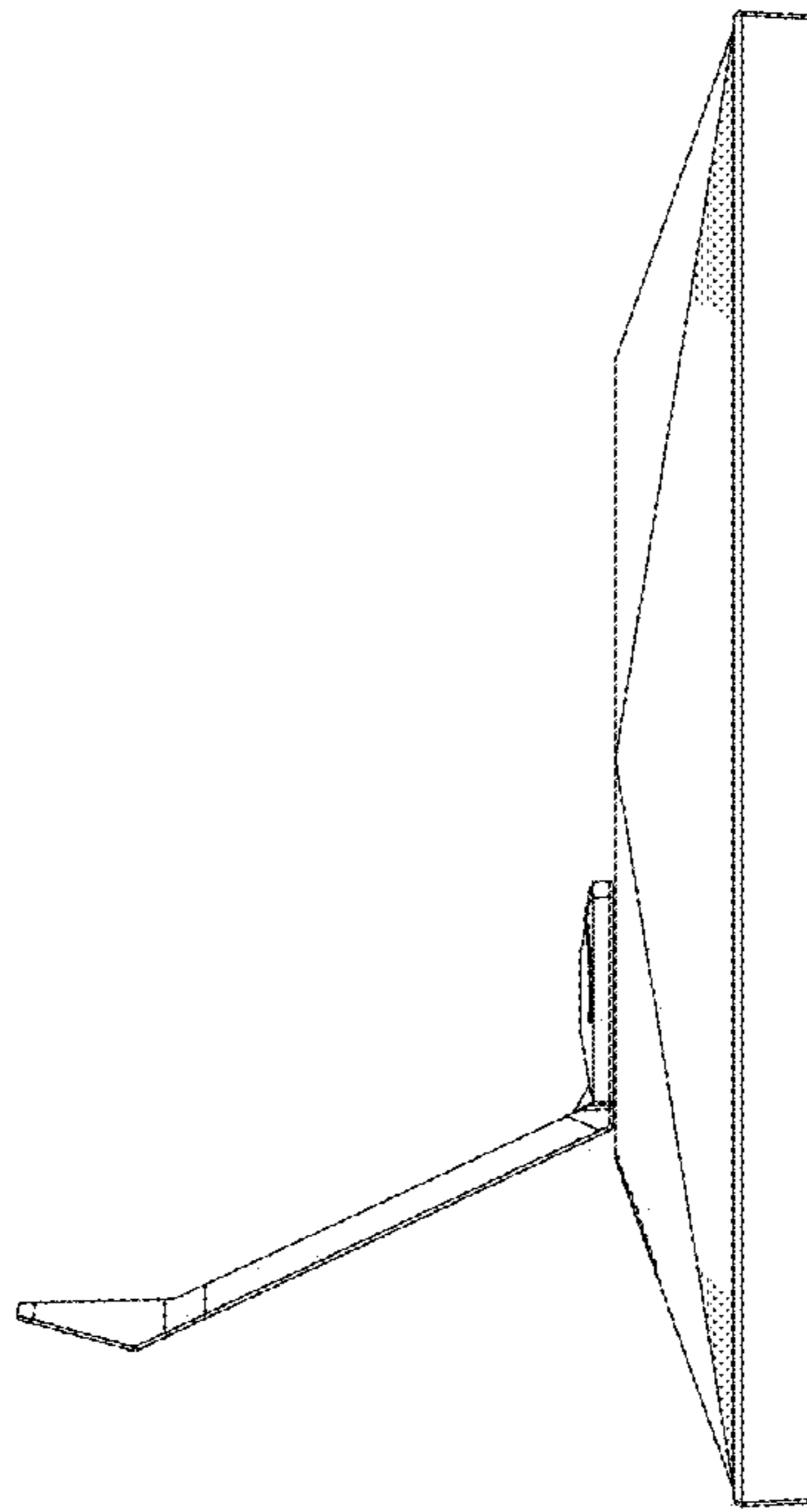


FIG. 3

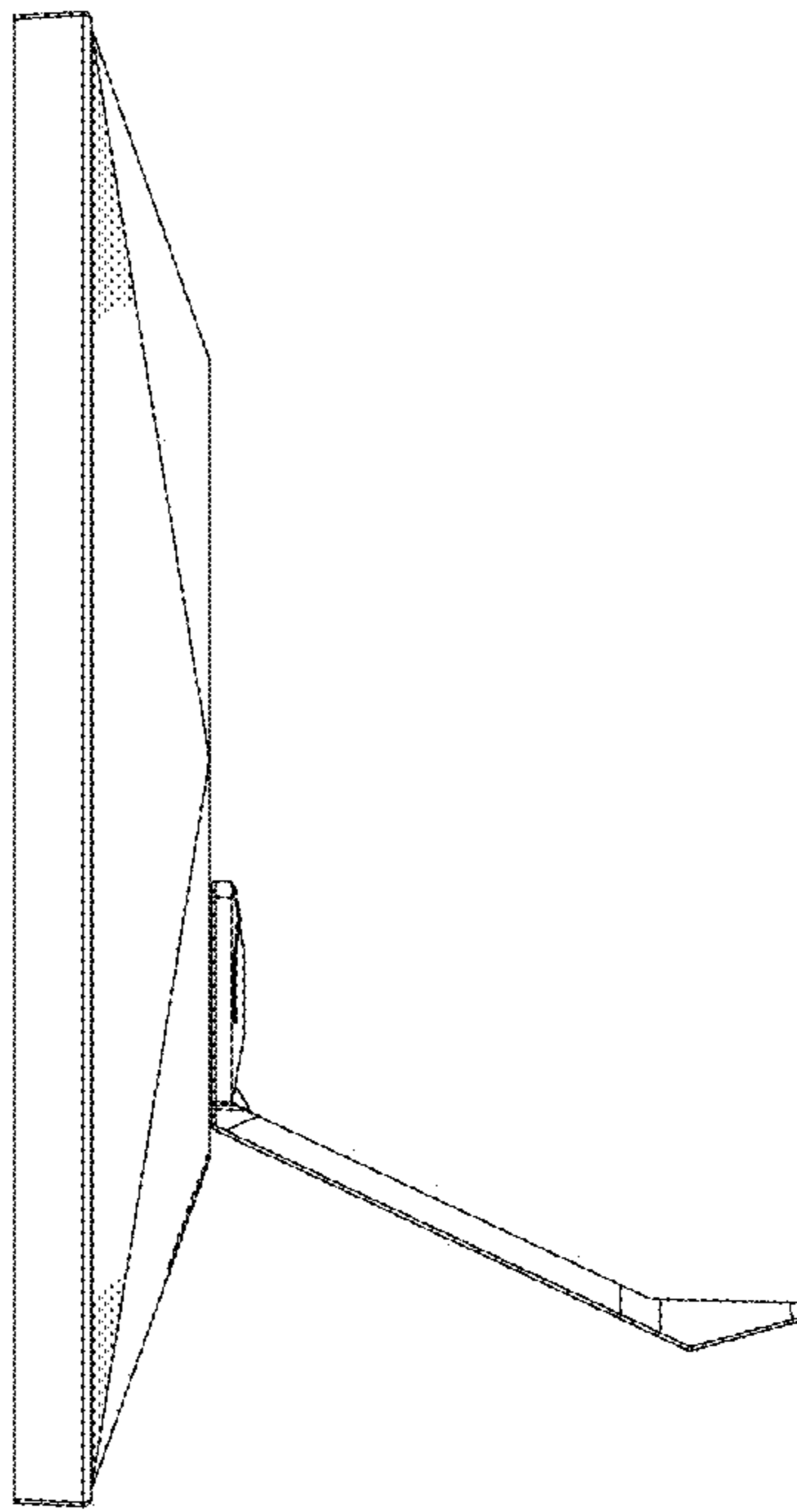


FIG. 4

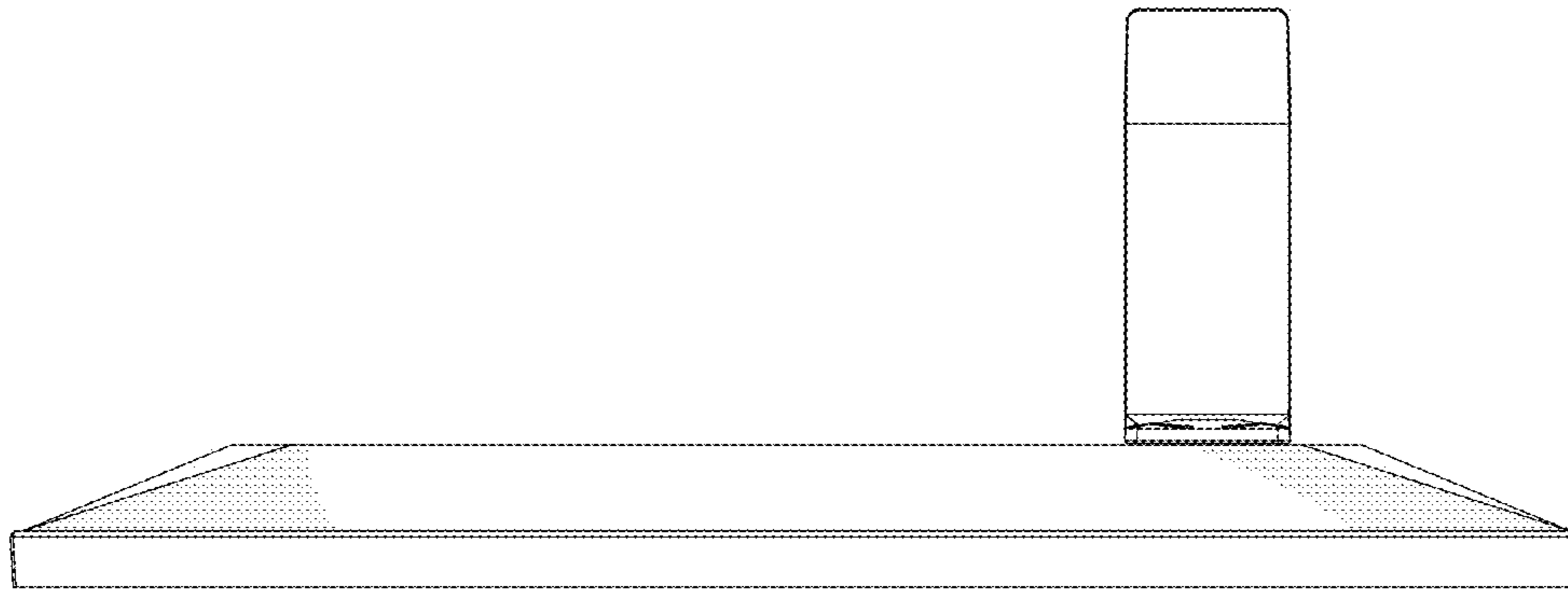


FIG. 5

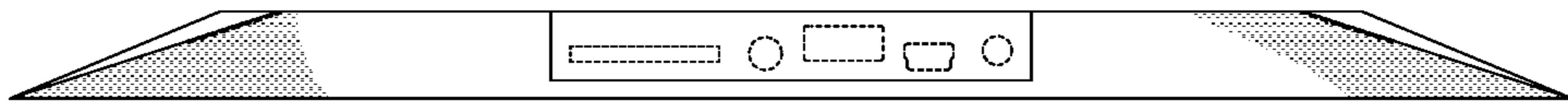


FIG. 6

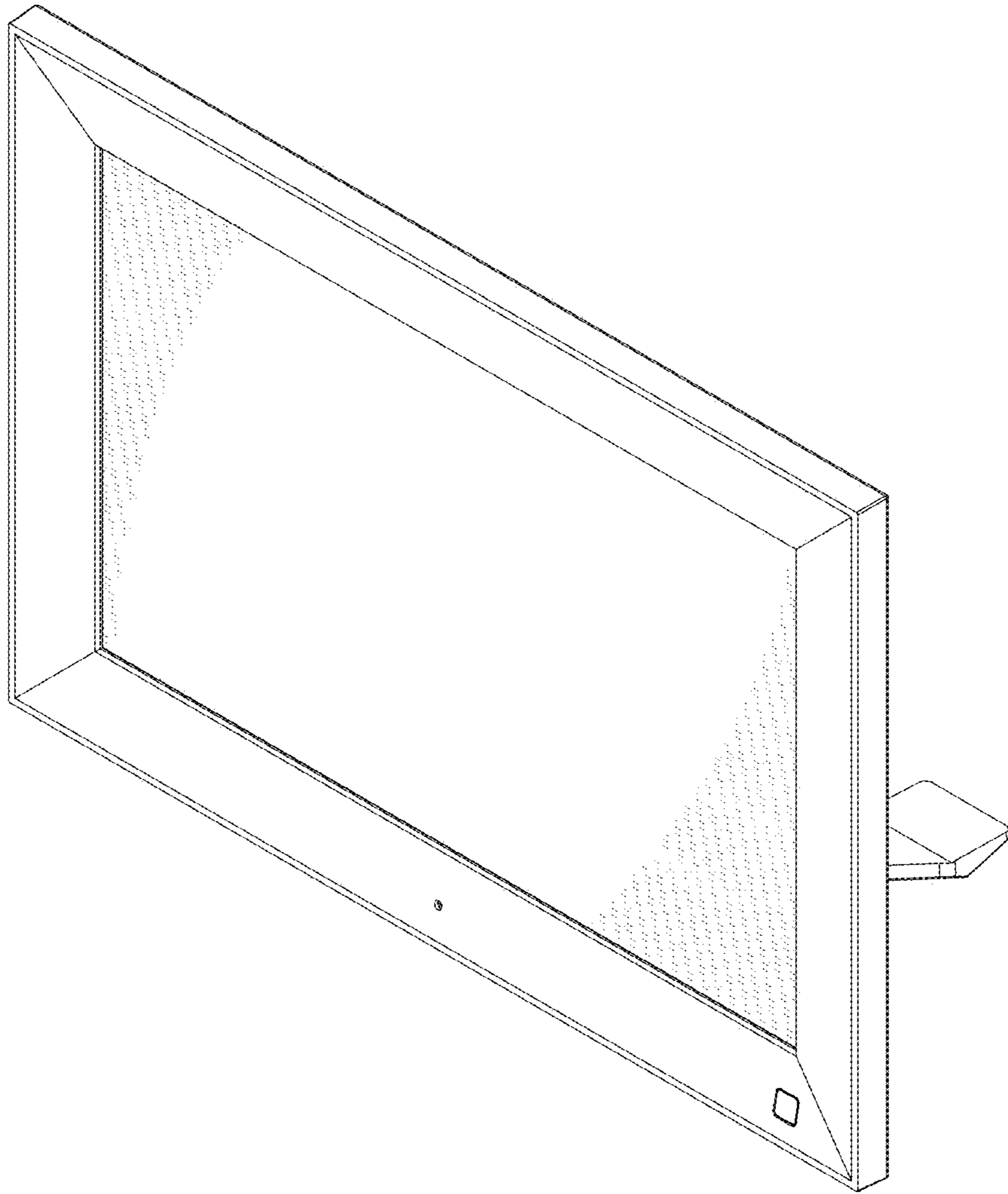


FIG. 7

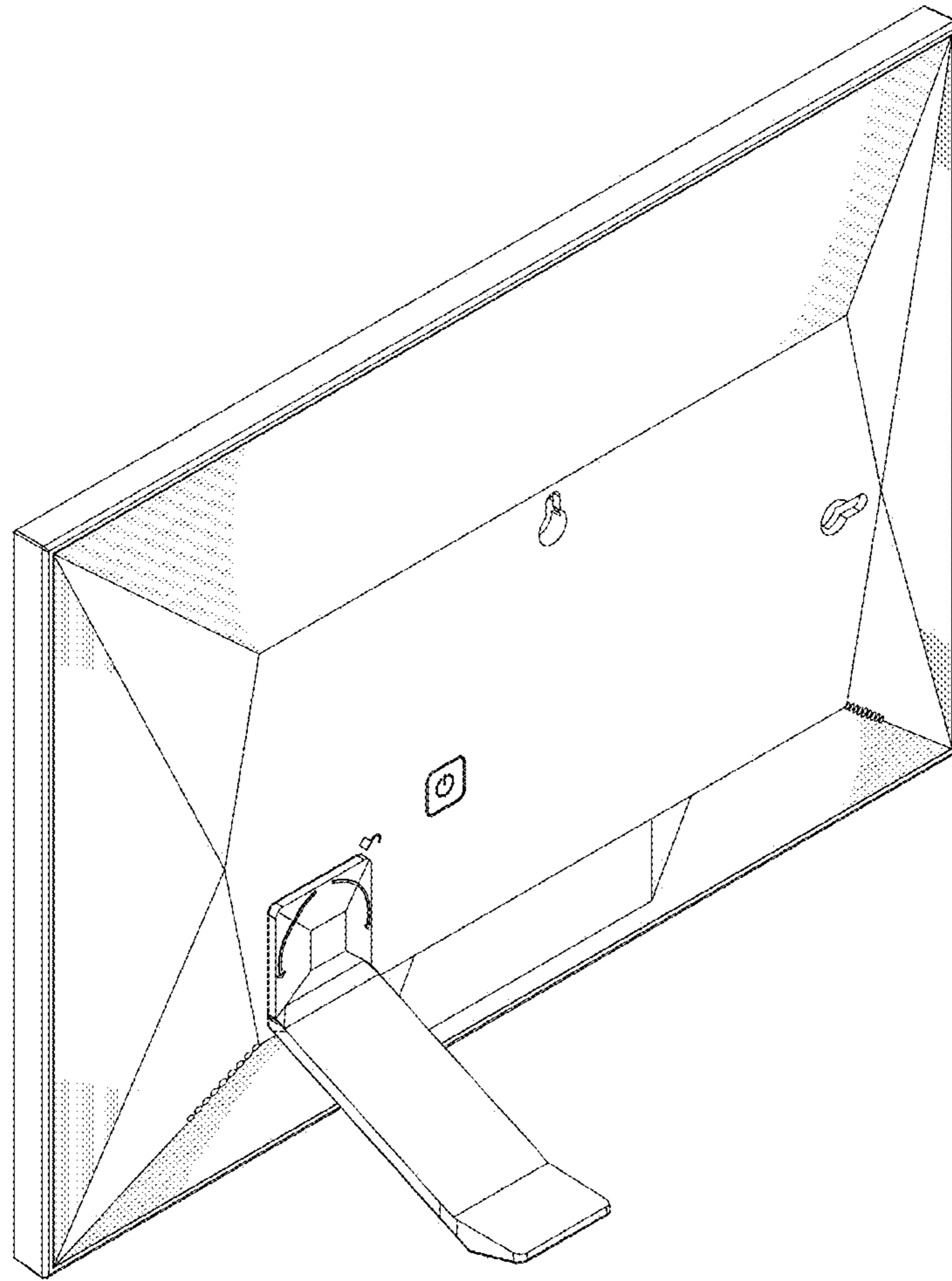


FIG. 8