



US00D965983S

(12) **United States Design Patent**  
**Coolens**

(10) **Patent No.:** **US D965,983 S**  
(45) **Date of Patent:** **\*\* Oct. 11, 2022**

(54) **LOCK**  
(71) Applicant: **RIMOWA GmbH**, Cologne (DE)  
(72) Inventor: **Kasper Coolens**, Ghent (BE)  
(\*\*) Term: **15 Years**

D632,608 S \* 2/2011 Corrado ..... D2/706  
D715,184 S \* 10/2014 Howard McElroy ..... D11/200  
D752,867 S \* 4/2016 Morszeck ..... D3/318  
D771,385 S \* 11/2016 Morszeck ..... D3/318  
D802,929 S \* 11/2017 Morszeck ..... D3/318  
D826,085 S \* 8/2018 Morszeck ..... D11/216  
D906,632 S \* 1/2021 Menczer ..... D2/706

(21) Appl. No.: **35/512,228**  
(22) Filed: **May 12, 2021**

**FOREIGN PATENT DOCUMENTS**

CN 305891372 \* 7/2020  
WO WO D204382-001 \* 12/2019  
WO WO D216674-001 \* 10/2021  
WO WO D218123-001 \* 6/2022

(80) **Hague Agreement Data**  
Int. Filing Date: **May 12, 2021**  
Int. Reg. No.: **DM/215277**  
Int. Reg. Date: **May 12, 2021**  
Int. Reg. Pub. Date: **Jul. 23, 2021**

\* cited by examiner

*Primary Examiner* — Deanna L Pratt

(51) **LOC (13) Cl.** ..... **03-01**  
(52) **U.S. Cl.**  
USPC ..... **D3/318**  
(58) **Field of Classification Search**  
USPC ..... D3/318, 216, 225, 230; D11/216, 200,  
D11/210  
CPC ..... A45C 13/10; A45C 13/1069  
See application file for complete search history.

(57) **CLAIM**

The ornamental design for a lock, as shown and described.

**DESCRIPTION**

(56) **References Cited**

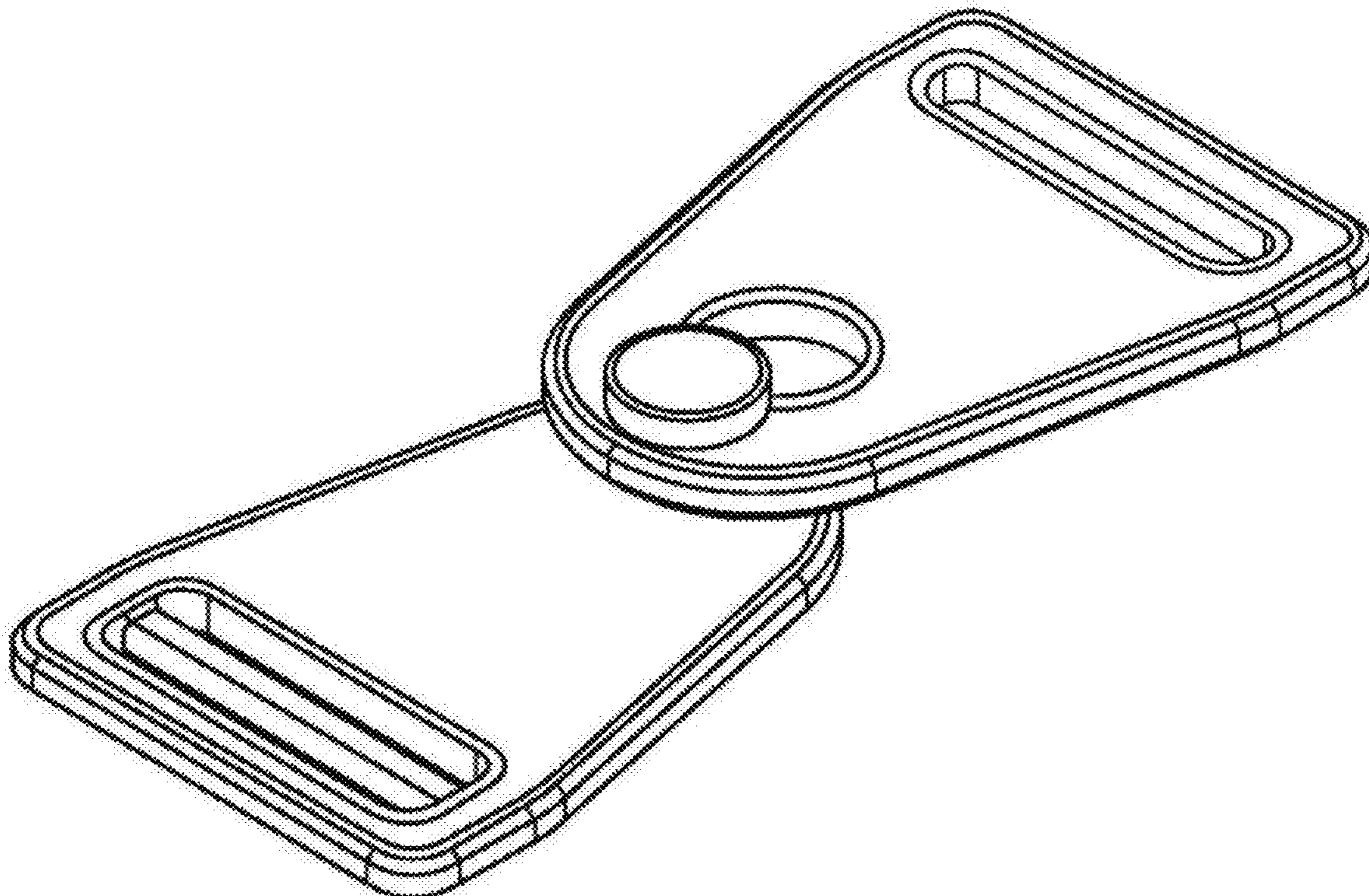
**U.S. PATENT DOCUMENTS**

D274,862 S \* 7/1984 Fildan ..... D11/208  
D513,559 S \* 1/2006 Fenton ..... D3/318  
D536,638 S \* 2/2007 Fildan ..... D11/210  
D571,254 S \* 6/2008 Wanzenbock ..... D11/212

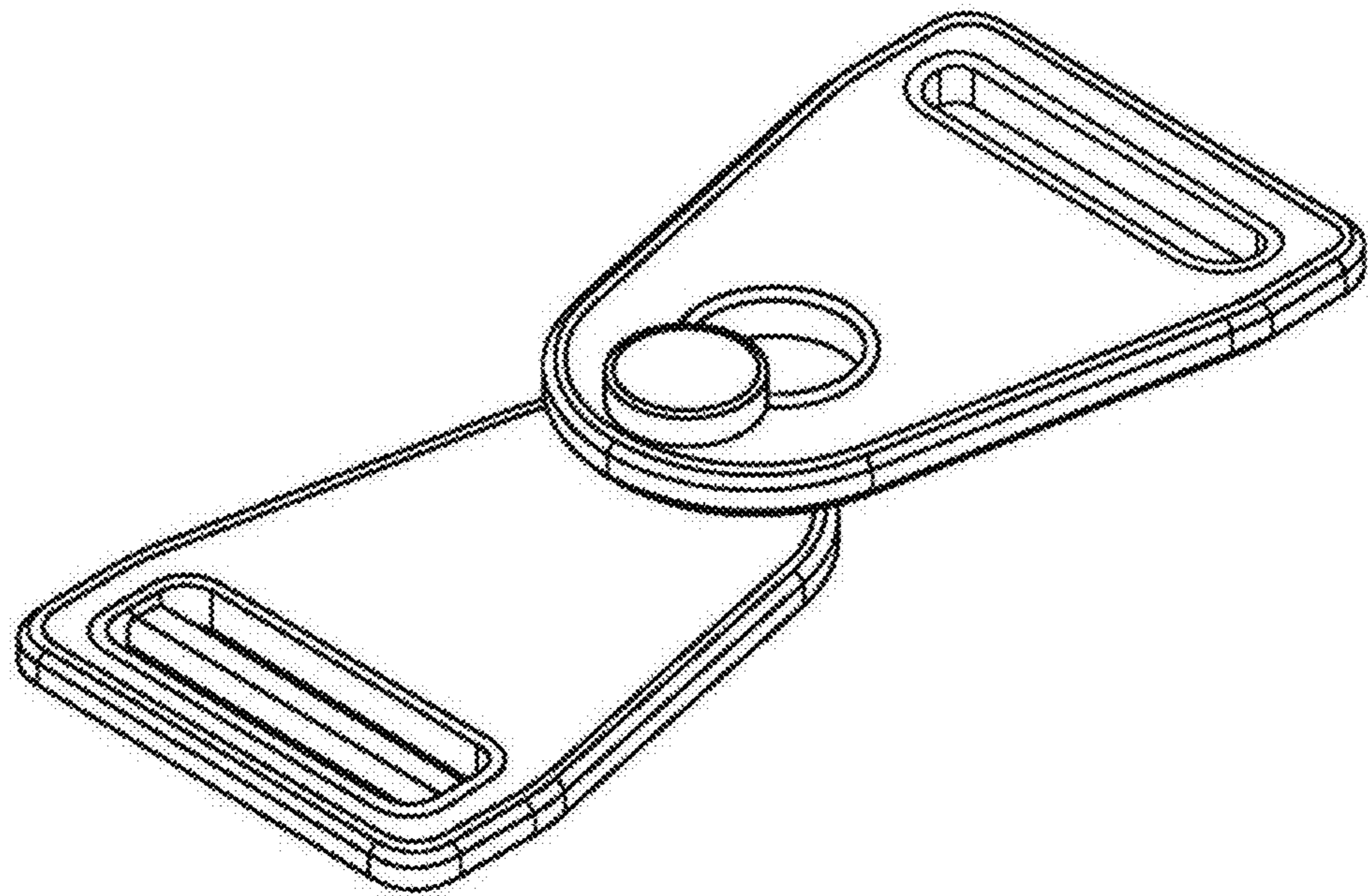
- 1. Lock
- 1.1 : Perspective
- 1.2 : Front
- 1.3 : Back
- 1.4 : Left
- 1.5 : Right
- 1.6 : Top
- 1.7 : Bottom

Fig. 1.1 is a perspective view of the design; fig. 1.2 is a front view thereof; fig. 1.3 is a back view thereof; fig. 1.4 is a left side view thereof; fig. 1.5 is a right side view thereof; fig. 1.6 is a top view thereof; and fig. 1.7 is a bottom view thereof.

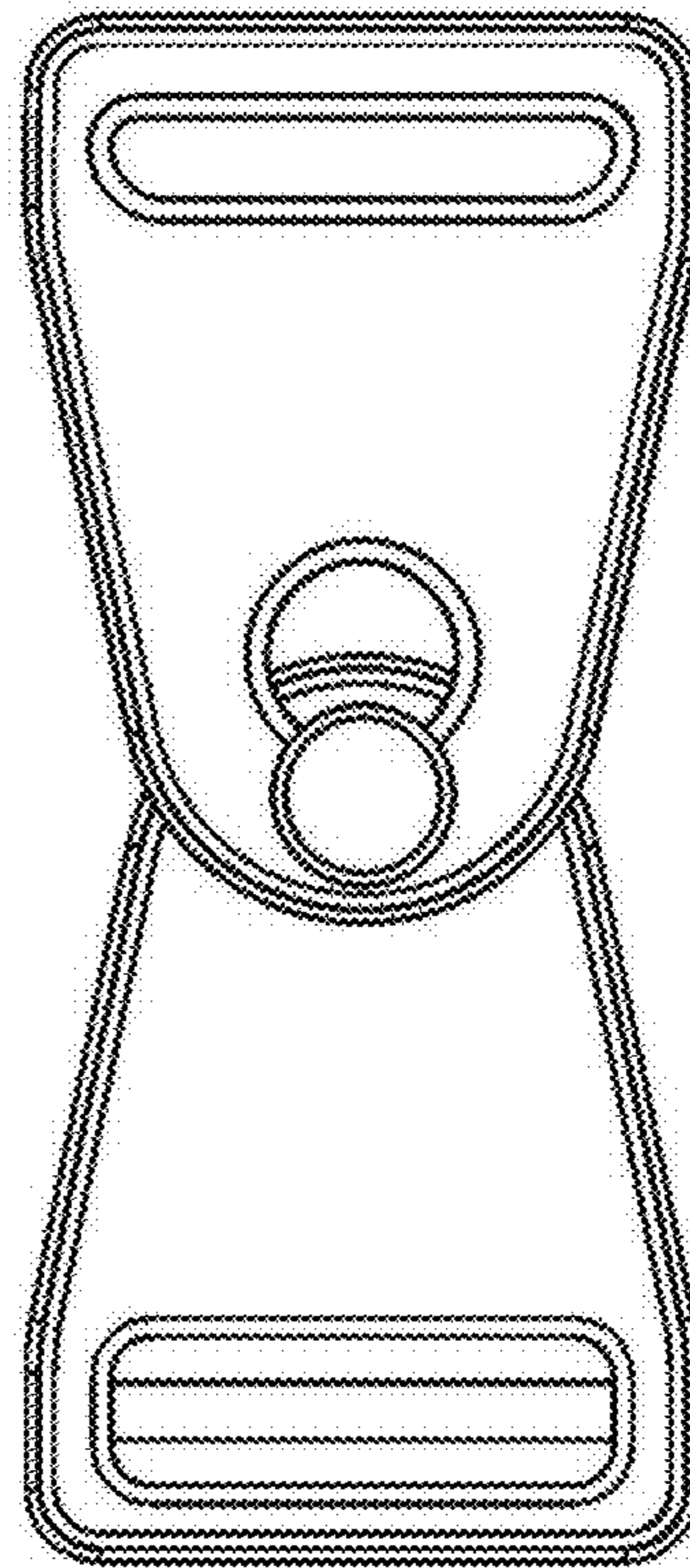
**1 Claim, 7 Drawing Sheets**



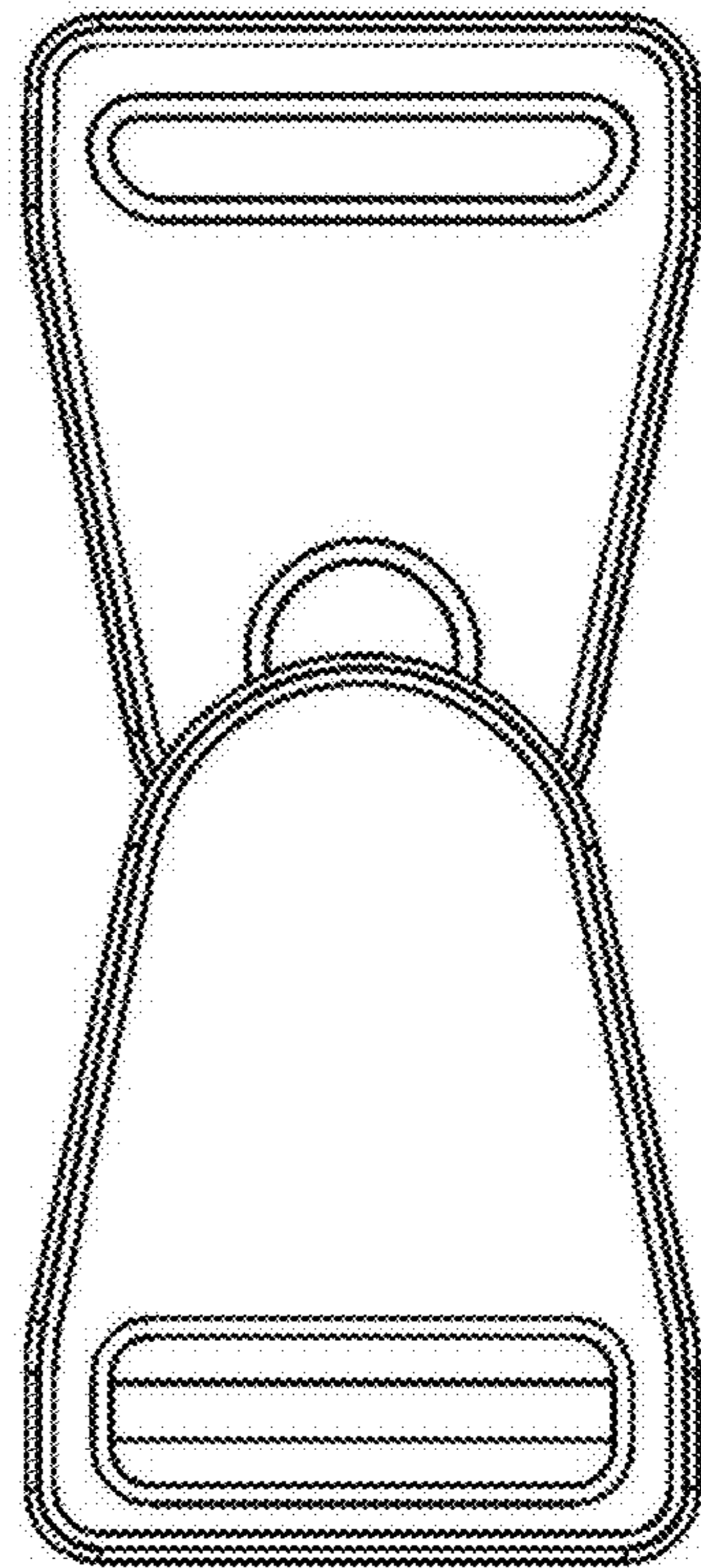
1.1



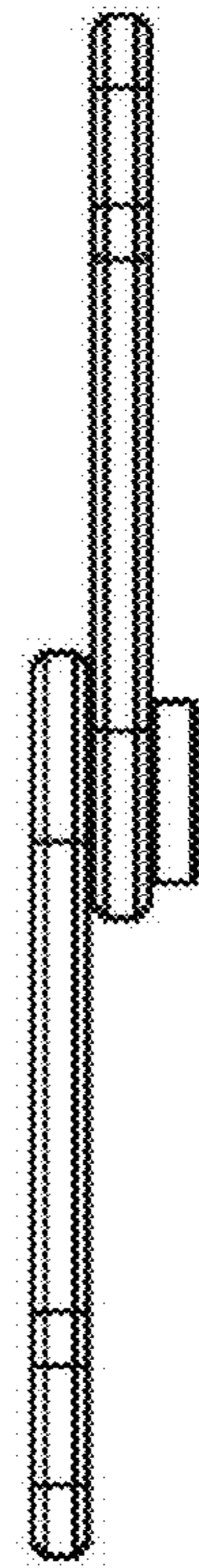
1.2



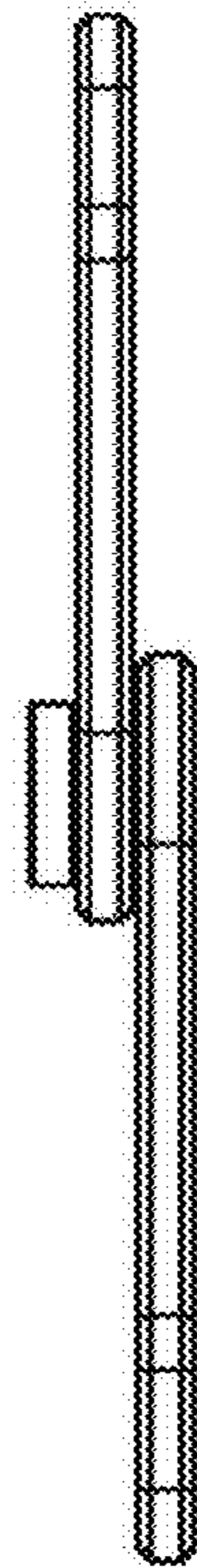
1.3



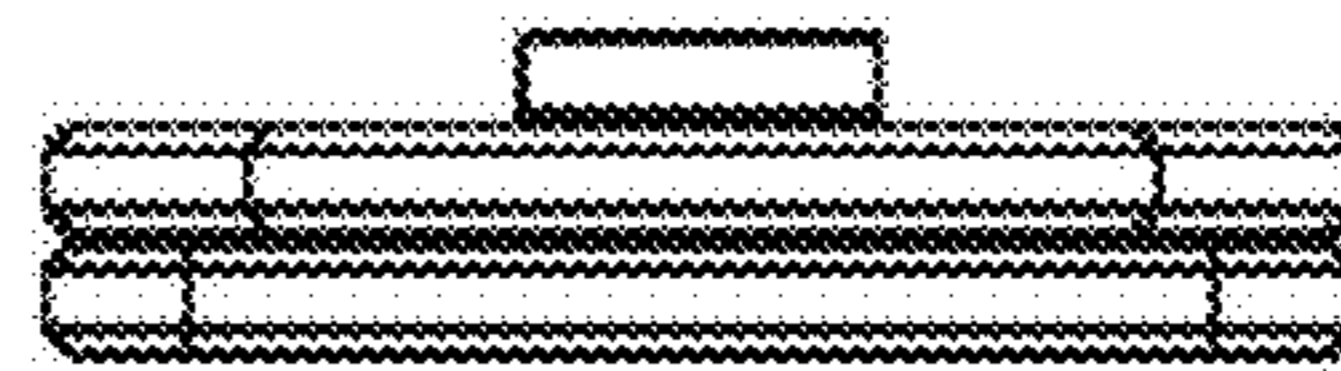
1.4



1.5



1.6



1.7

