



US00D965982S

(12) **United States Design Patent**
Eskridge

(10) **Patent No.:** **US D965,982 S**
(45) **Date of Patent:** **** Oct. 11, 2022**

- (54) **PORTIONS OF A CONTAINER**
- (71) Applicant: **BLACK & DECKER INC.**, New Britain, CT (US)
- (72) Inventor: **Evan G. Eskridge**, Baltimore, MD (US)
- (73) Assignee: **BLACK & DECKER INC.**, New Britain, CT (US)
- (**) Term: **15 Years**
- (21) Appl. No.: **29/799,791**
- (22) Filed: **Jul. 16, 2021**

D925,219 S *	7/2021	Eskridge	D3/282
D925,220 S *	7/2021	Eskridge	D3/282
D925,221 S *	7/2021	Eskridge	D3/282
D927,853 S *	8/2021	Hsu	D3/302

OTHER PUBLICATIONS

Lowes, "Craftsman Small 5-Gallon (20-Quart) Black Tote with Latching Lid", First reviewed Jul. 3, 2019. (<https://www.lowes.com/pd/CRAFTSMAN-5-Gallon-20-Quart-Black-Tote-with-Latching-Lid/1000976064>) (Year: 2019).*

* cited by examiner

Primary Examiner — April Rivas

(74) *Attorney, Agent, or Firm* — Adan Ayala

Related U.S. Application Data

- (63) Continuation of application No. 29/675,439, filed on Jan. 2, 2019, now Pat. No. Des. 925,220.
- (51) **LOC (13) Cl.** **03-01**
- (52) **U.S. Cl.**
USPC **D3/318; D3/302; D3/905**
- (58) **Field of Classification Search**
USPC D3/905, 273, 276, 280, 282, 284, 294,
D3/298, 302, 304, 318
CPC B25H 3/00; B25H 3/003; B25H 3/006;
B25H 3/02; B25H 3/06
See application file for complete search history.

(57) **CLAIM**

The ornamental design for portions of a container, as shown and described.

DESCRIPTION

FIG. 1 is a front perspective view of portions of a container according to the invention.

FIG. 2 is a front view of portions of the container of FIG. 1.

FIG. 3 is a rear view of portions of the container of FIG. 1.

FIG. 4 is a left side view of portions of the container of FIG. 1.

FIG. 5 is a right side view of portions of the container of FIG. 1; and,

FIG. 6 is a top plan view of portions of the container of FIG. 1.

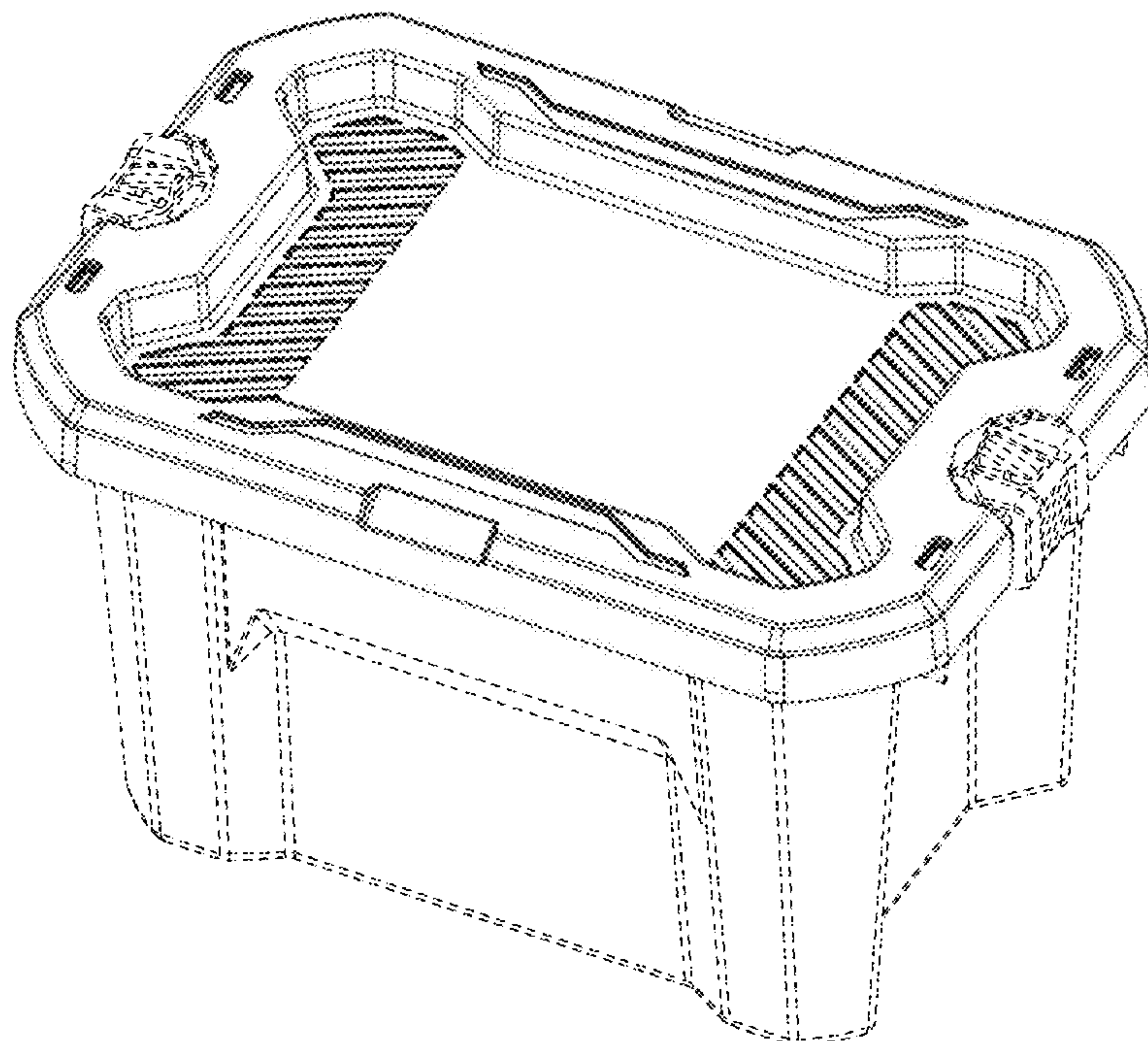
The broken lines illustrate portions of the container and form no part of the claimed design.

(56) **References Cited**

U.S. PATENT DOCUMENTS

D650,174 S *	12/2011	Ahlstrom	D3/302
D846,875 S *	4/2019	Nelson	D3/282
D879,471 S *	3/2020	Nelson	D3/282

1 Claim, 6 Drawing Sheets



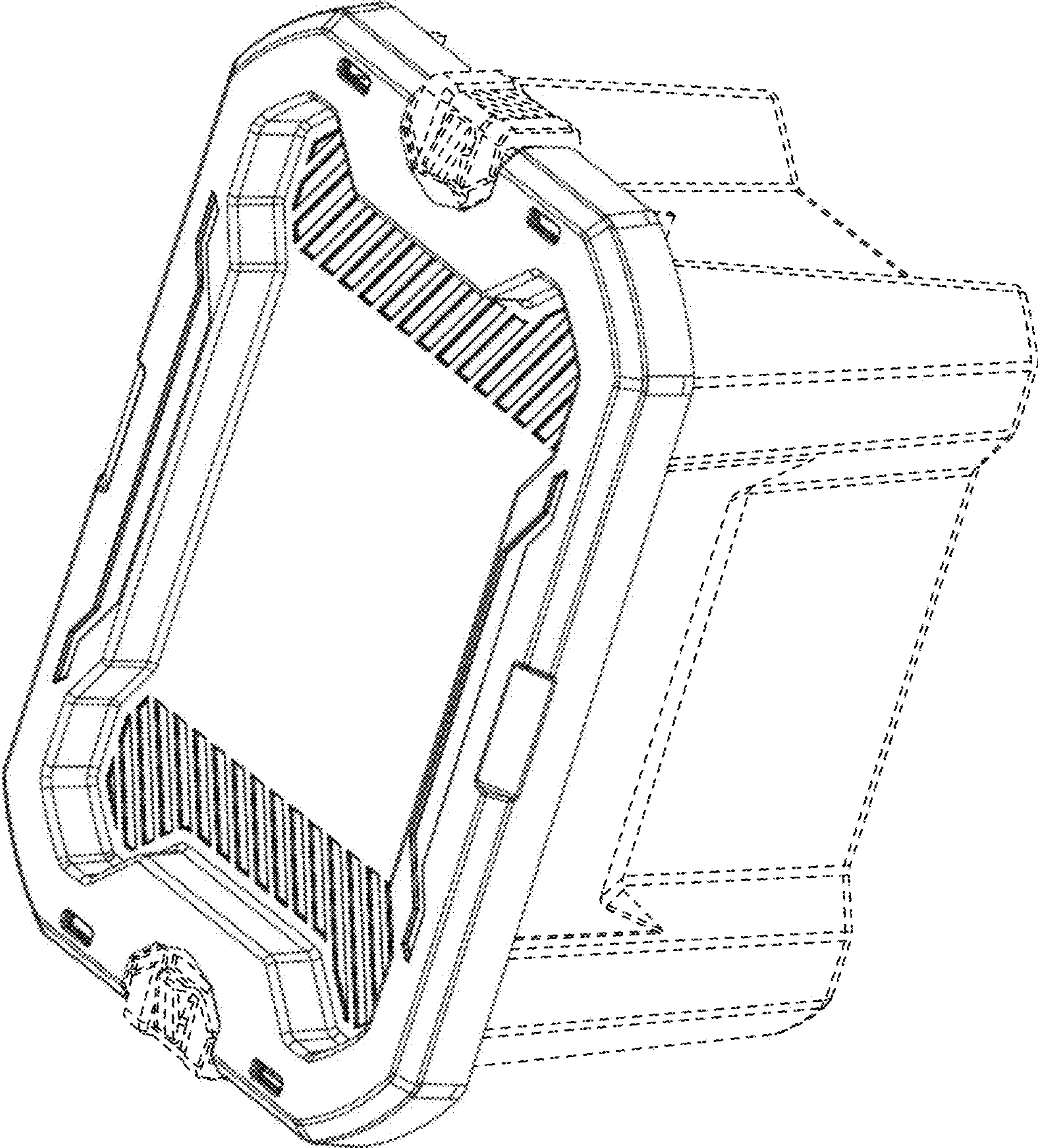


FIG. 1

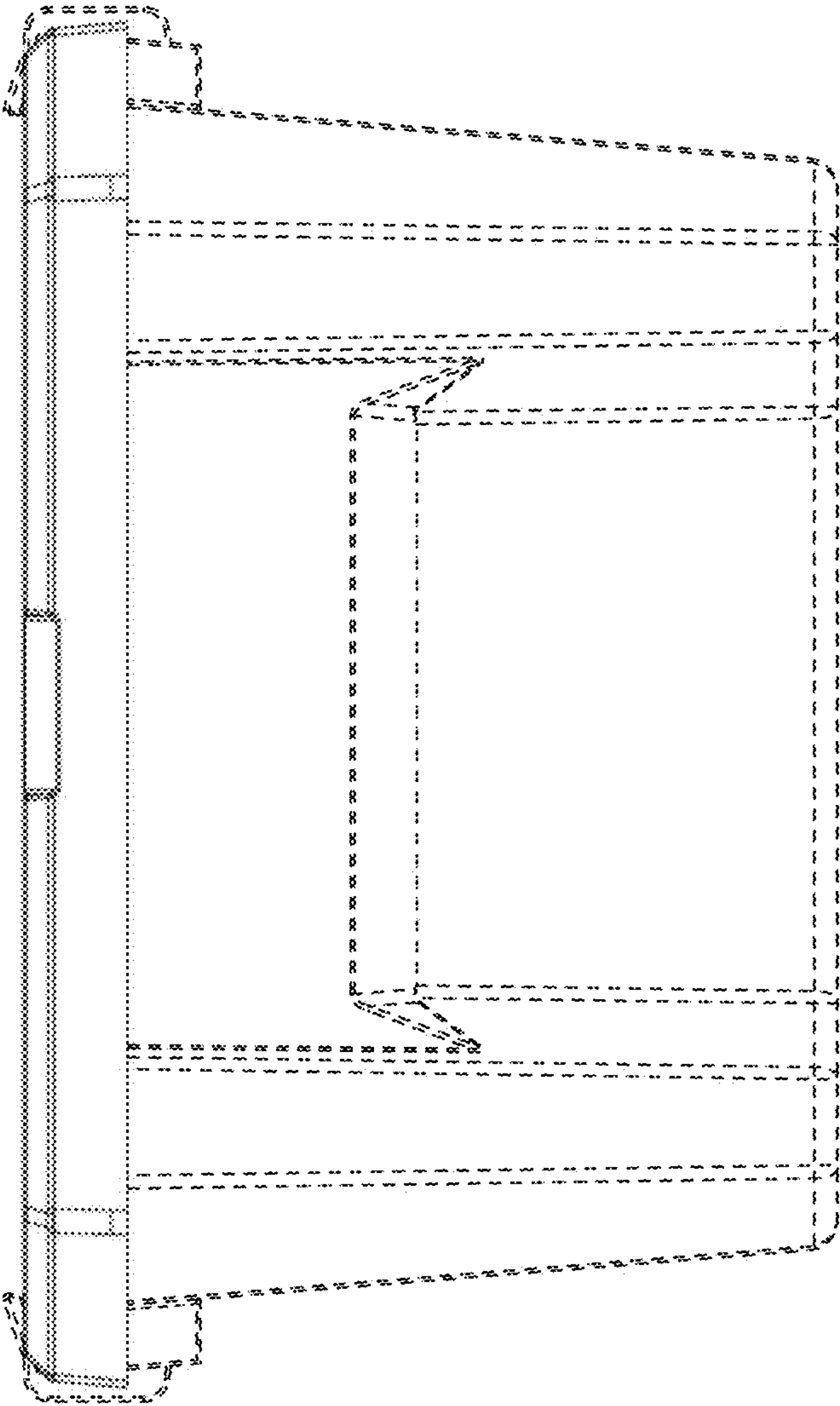


FIG. 2

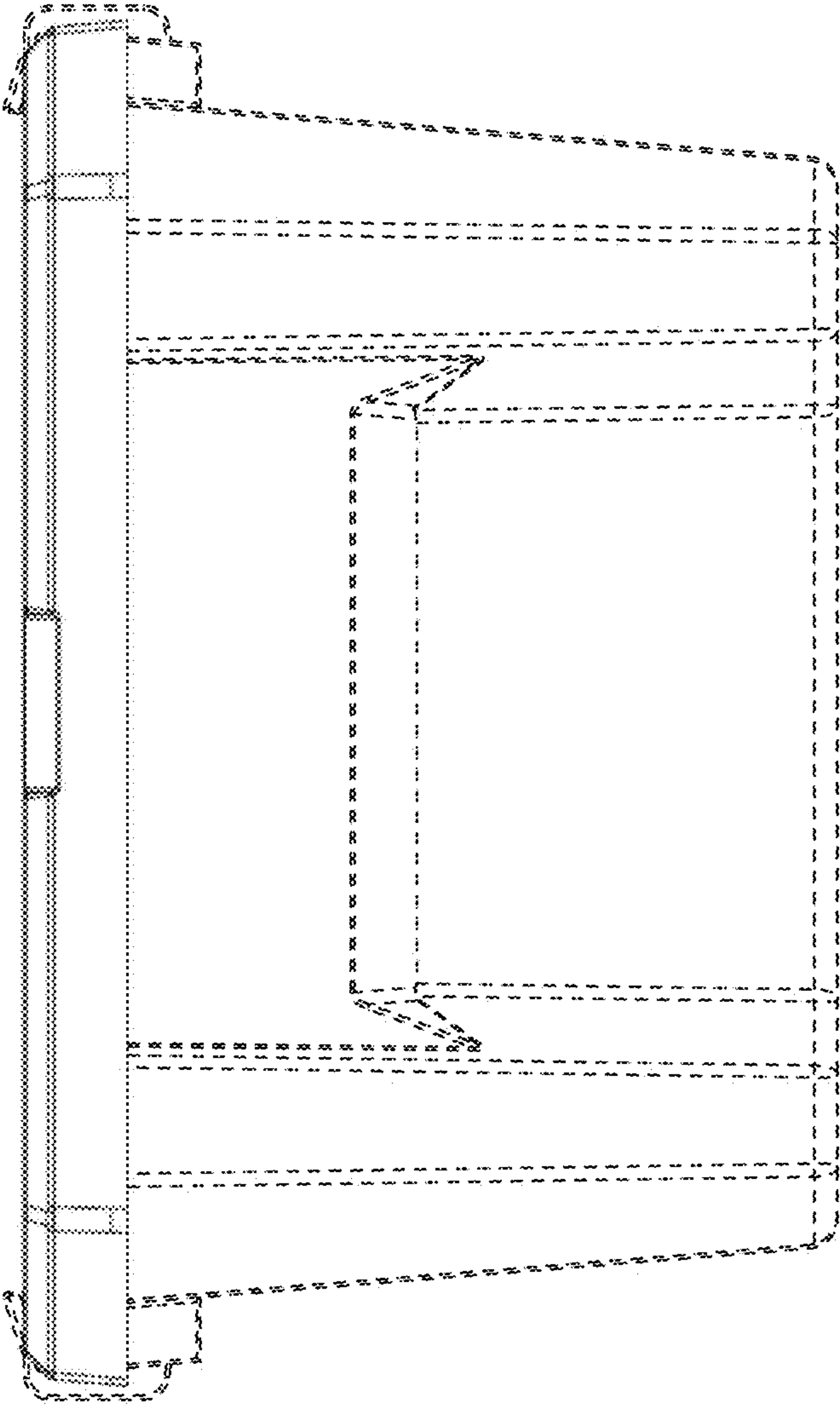


FIG. 3

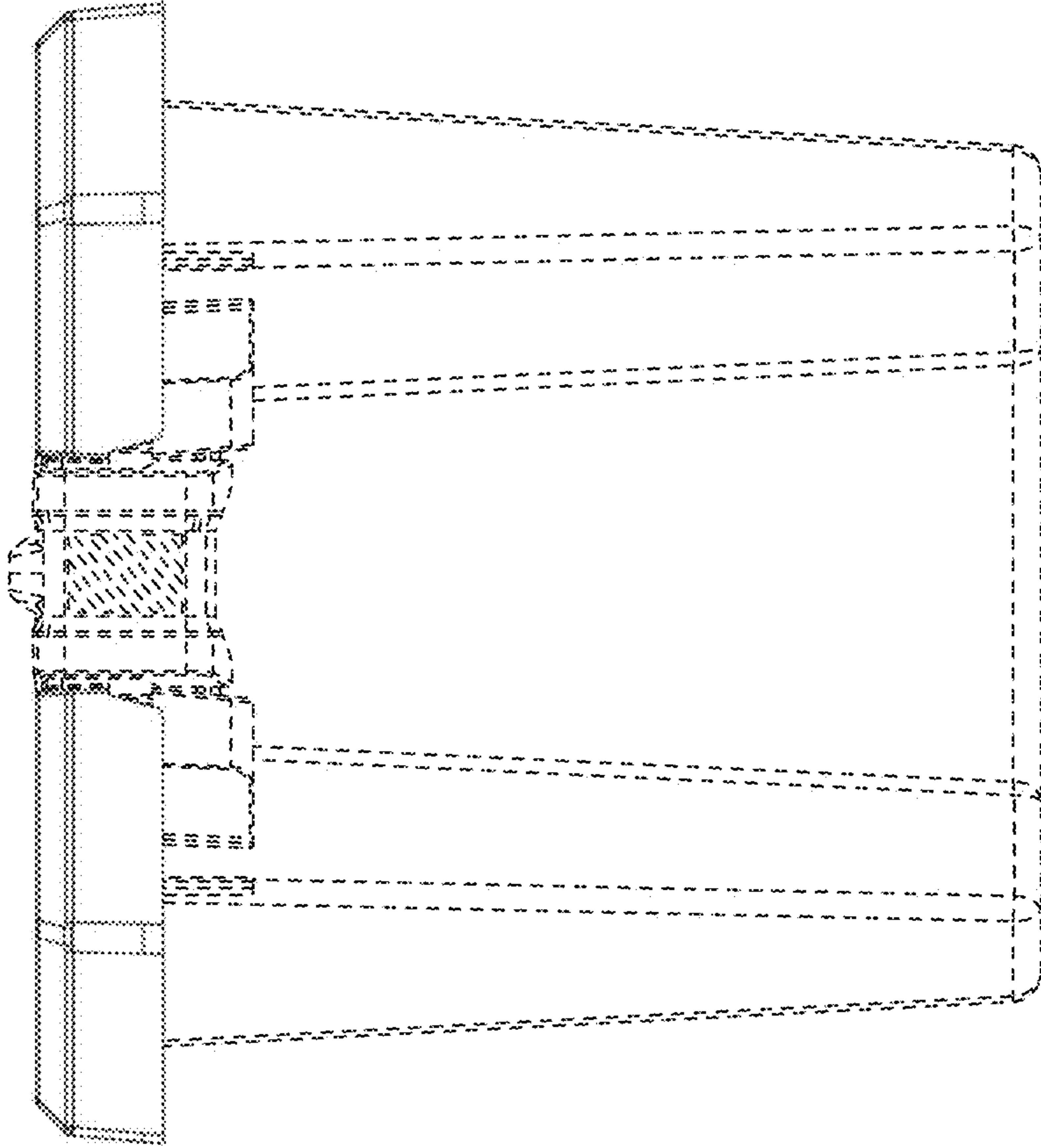


FIG. 4

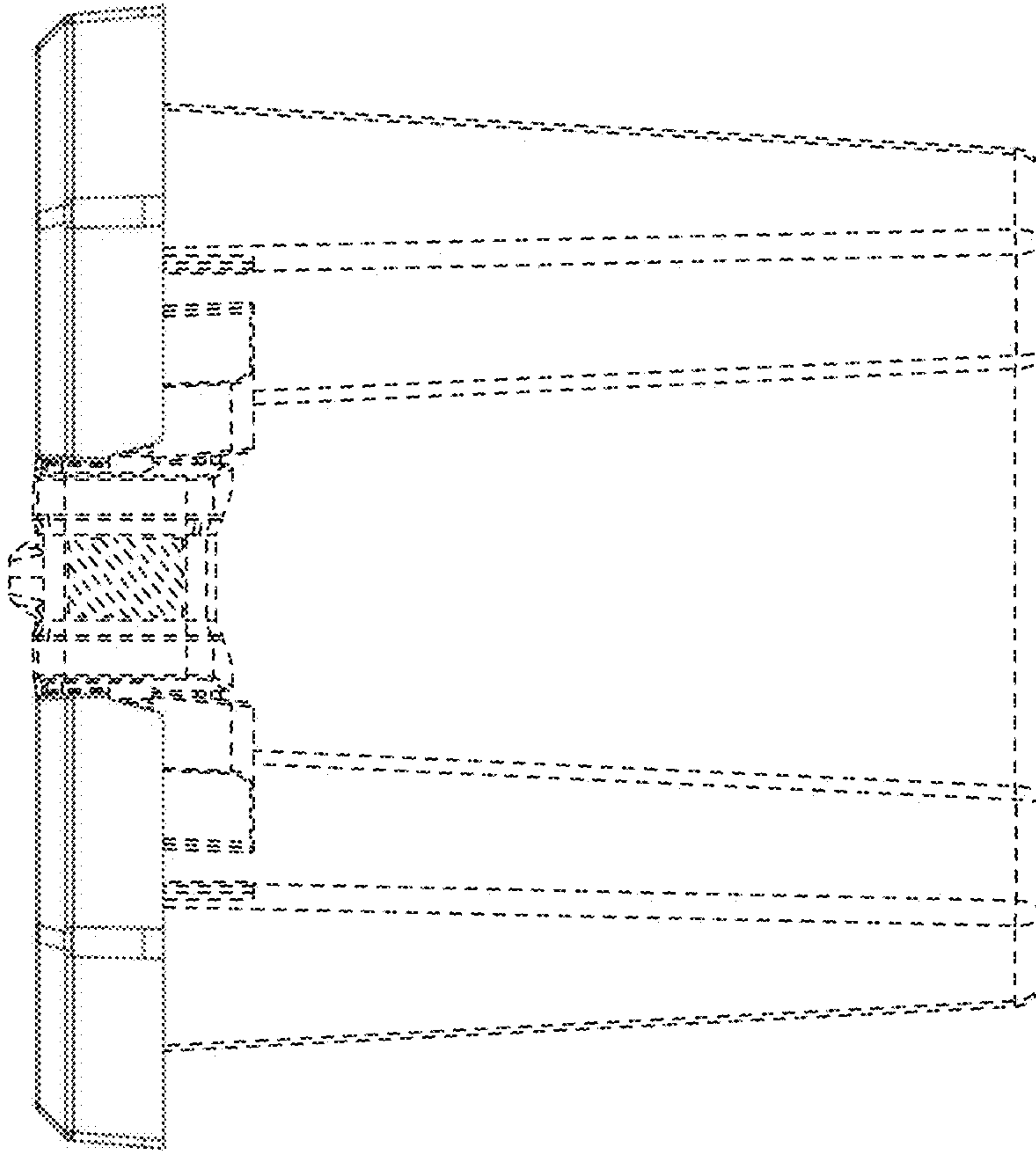


FIG. 5

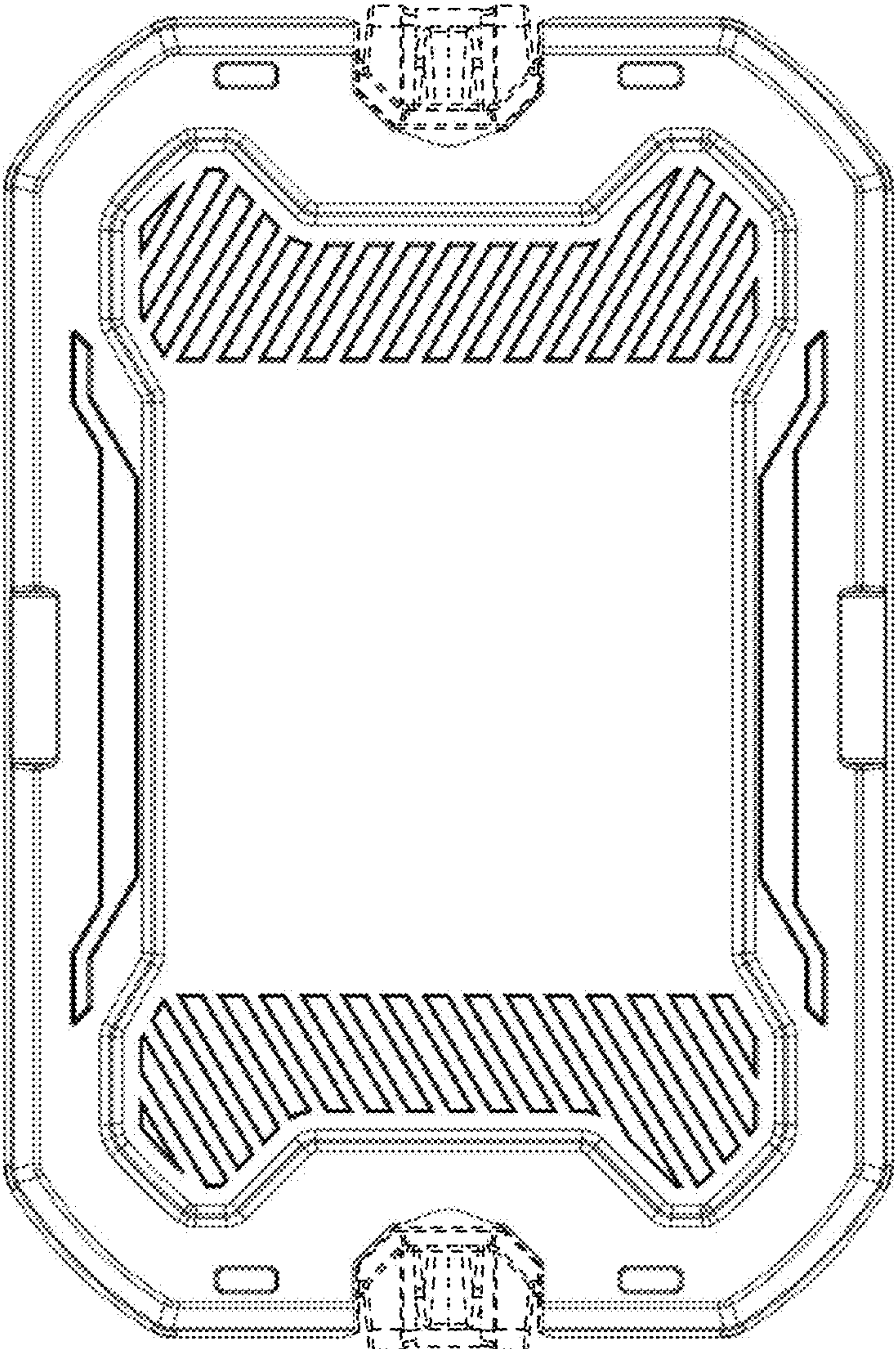


FIG. 6