

US00D965981S

(12) **United States Design Patent**
Navarro

(10) **Patent No.:** **US D965,981 S**

(45) **Date of Patent:** **** Oct. 11, 2022**

(54) **CORNHOLE BAG CARRIER**
(71) Applicant: **Gladiator Cornhole Gear, LLC**, Lake Wylie, SC (US)

D762,384 S * 8/2016 Boroski D3/283
D835,411 S * 12/2018 Hughes D3/305
D915,769 S * 4/2021 Wang D3/315
D919,297 S * 5/2021 Wang D3/315

* cited by examiner

(72) Inventor: **Brandon Navarro**, Clover, SC (US)

Primary Examiner — Charles D Hanson

(**) Term: **15 Years**

(74) *Attorney, Agent, or Firm* — PatentFile, LLC; Bradley C. Fach; Steven R. Kick

(21) Appl. No.: **29/749,511**

(57) **CLAIM**

(22) Filed: **Sep. 6, 2020**

The ornamental design for a cornhole bag carrier, as shown and described.

(51) **LOC (13) Cl.** **03-03**

(52) **U.S. Cl.**
USPC **D3/315**

DESCRIPTION

(58) **Field of Classification Search**
USPC D3/205, 206, 315
CPC A45C 7/009; A45C 7/0077; A45C 3/04
See application file for complete search history.

FIG. 1 is a top plan view showing the new, original, and ornamental design of a cornhole bag carrier;
FIG. 2 is a bottom plan view thereof;
FIG. 3 is a right elevation view thereof;
FIG. 4 is a left elevation view thereof;
FIG. 5 is a front elevation view thereof; and,
FIG. 6 is a rear elevation view thereof.

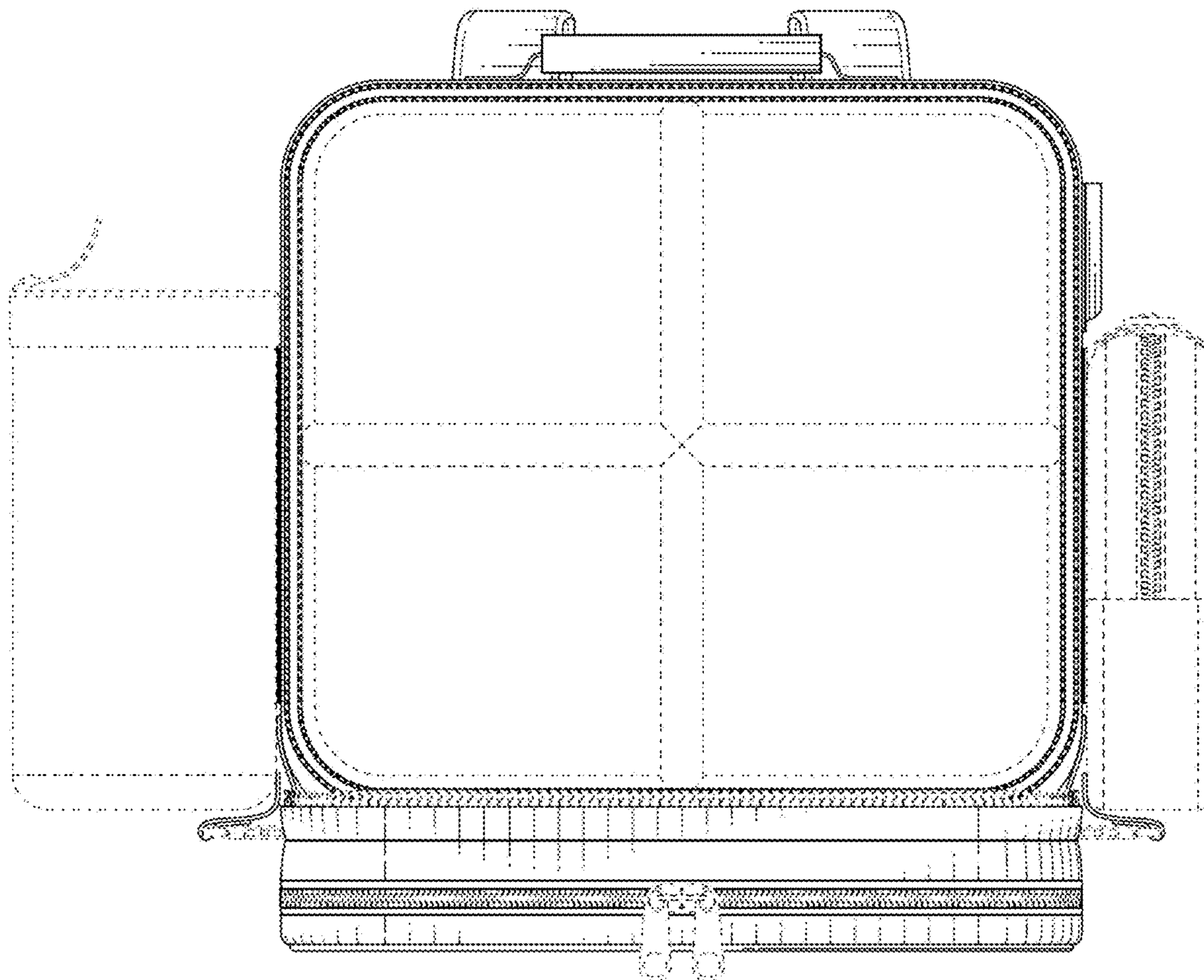
(56) **References Cited**

U.S. PATENT DOCUMENTS

The broken lines shown in the drawings representing a side pocket and bottle holder form no part of the claimed design.

D441,190 S * 5/2001 Eskandry D3/285
D534,353 S * 1/2007 Hsieh D3/301
D756,119 S * 5/2016 Hamilton D3/315

1 Claim, 6 Drawing Sheets



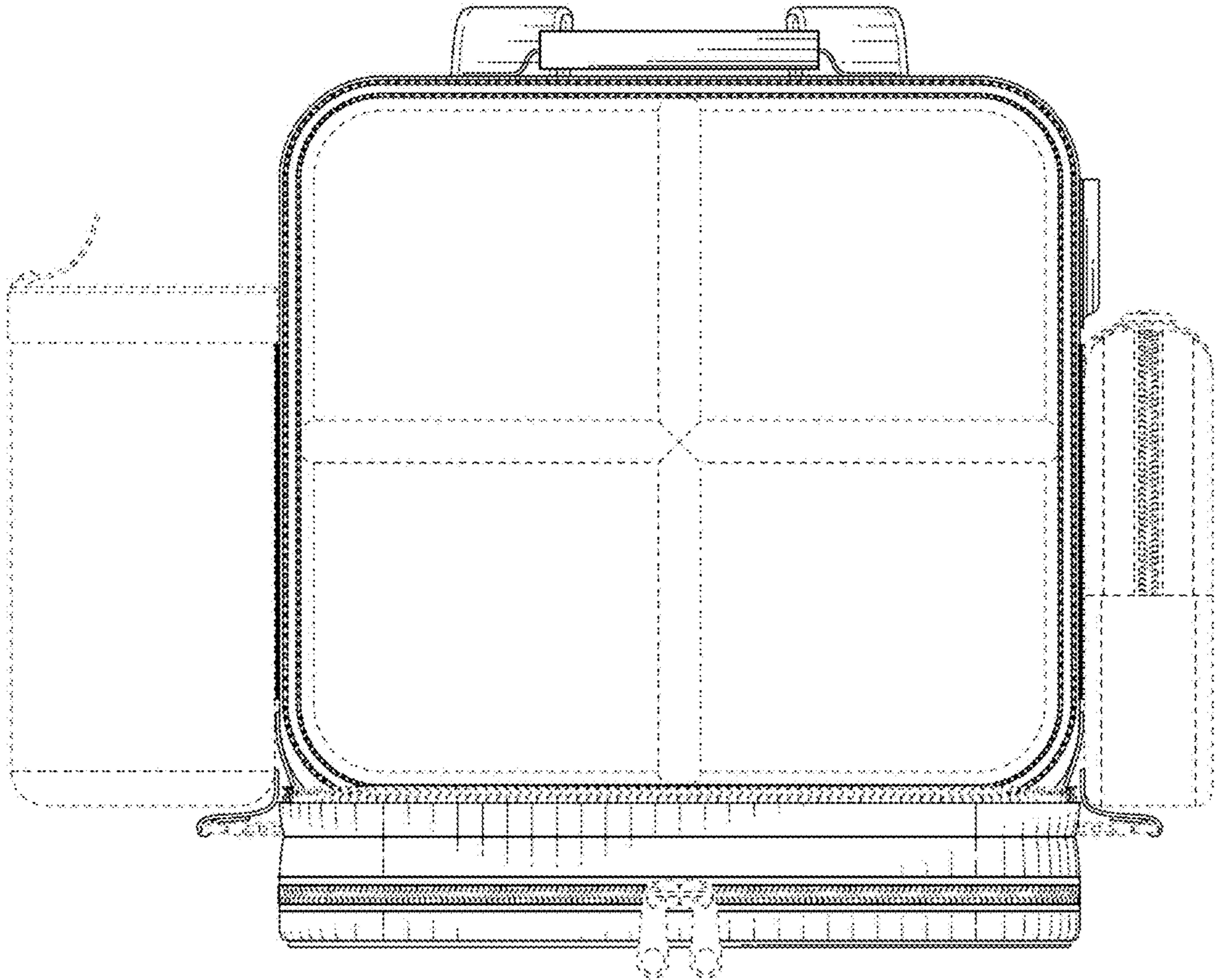


FIG. 1

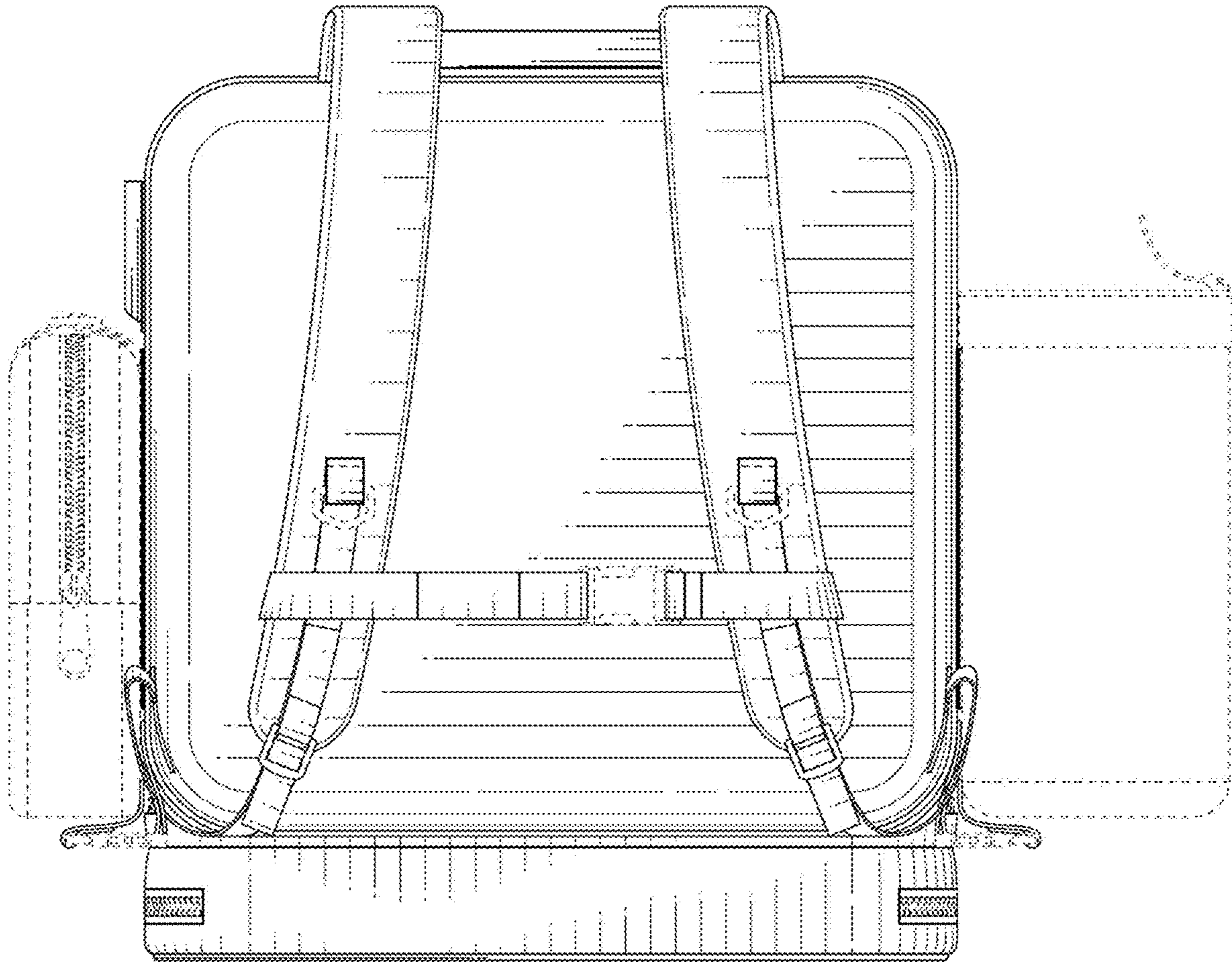


FIG. 2

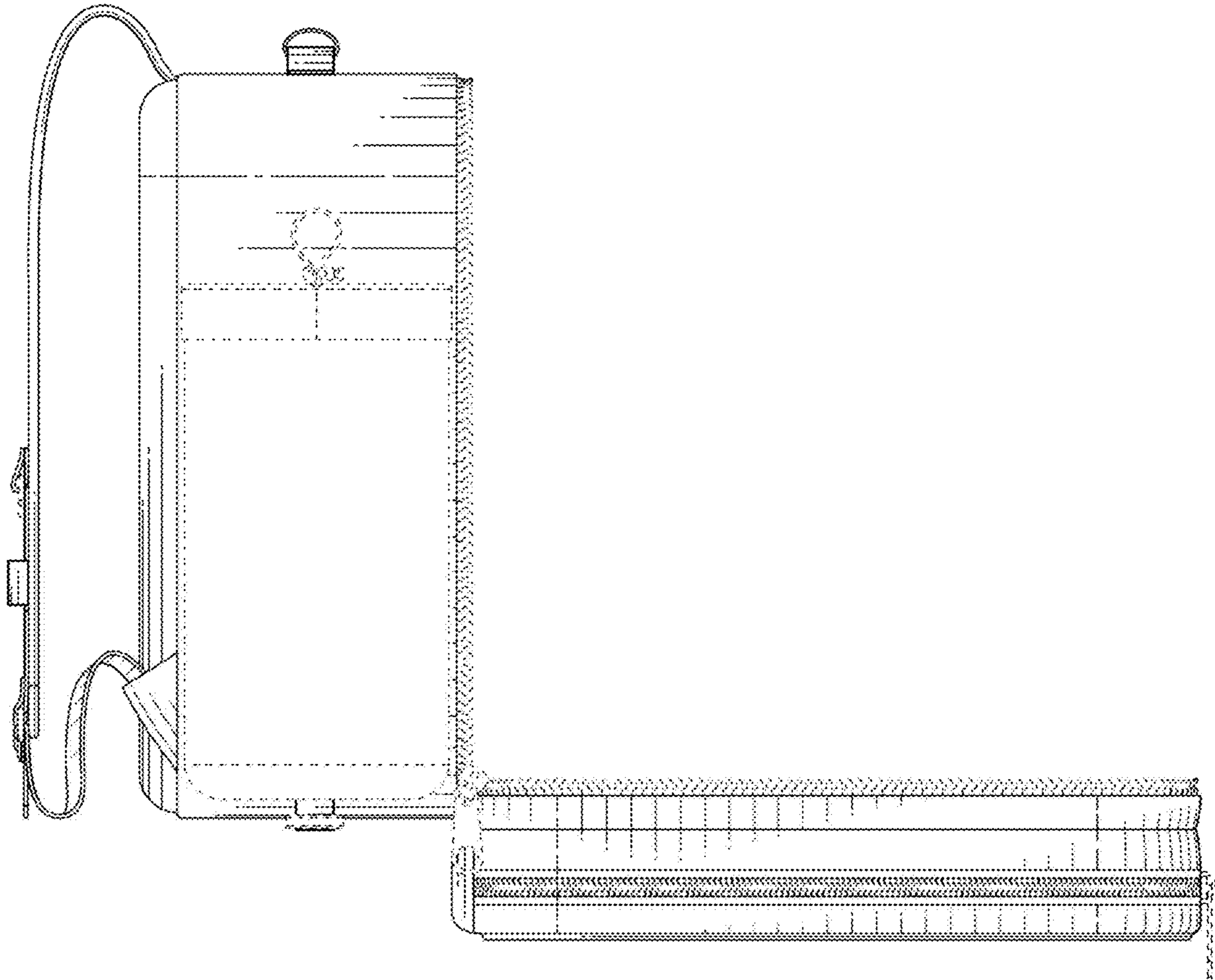


FIG. 3

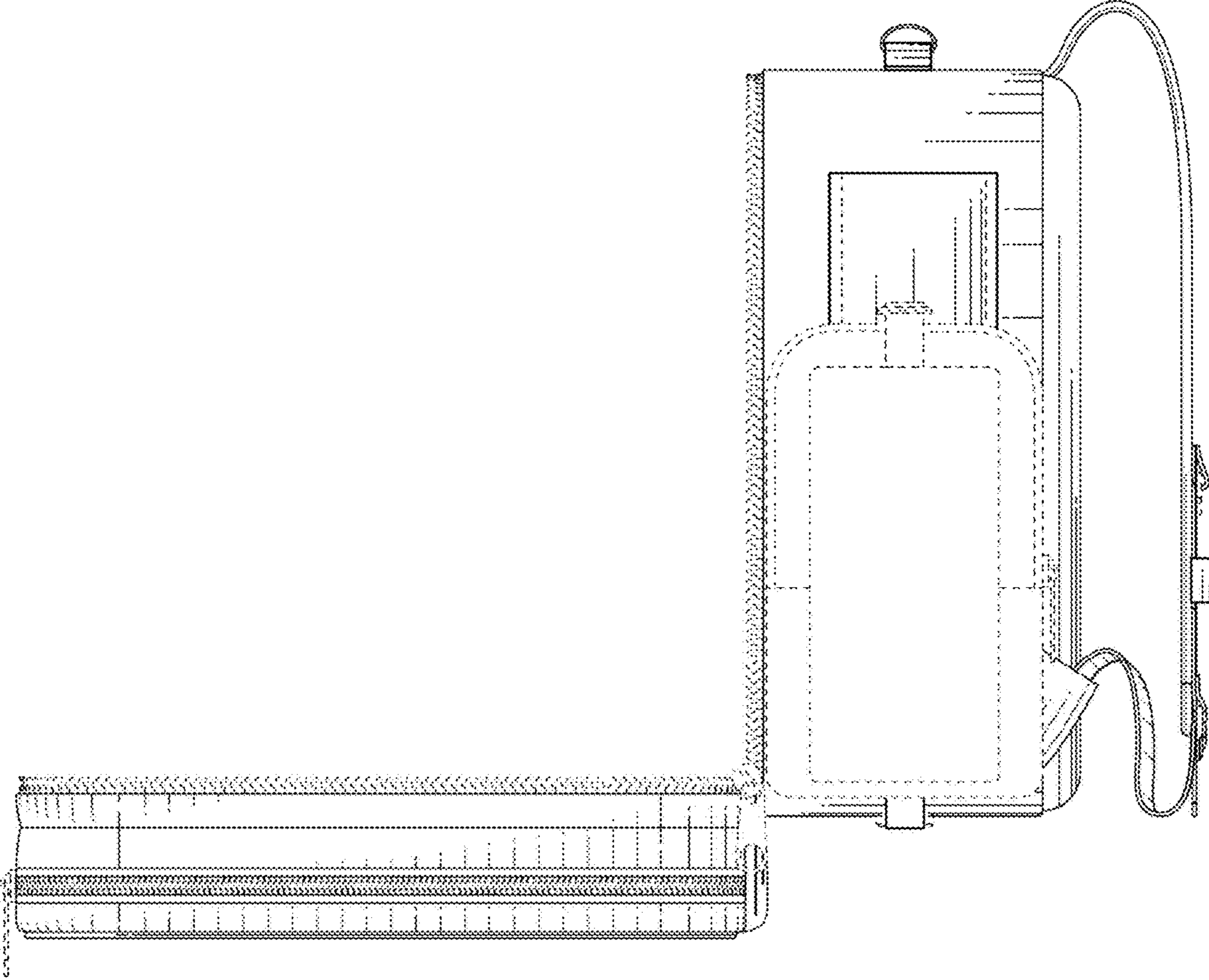


FIG. 4

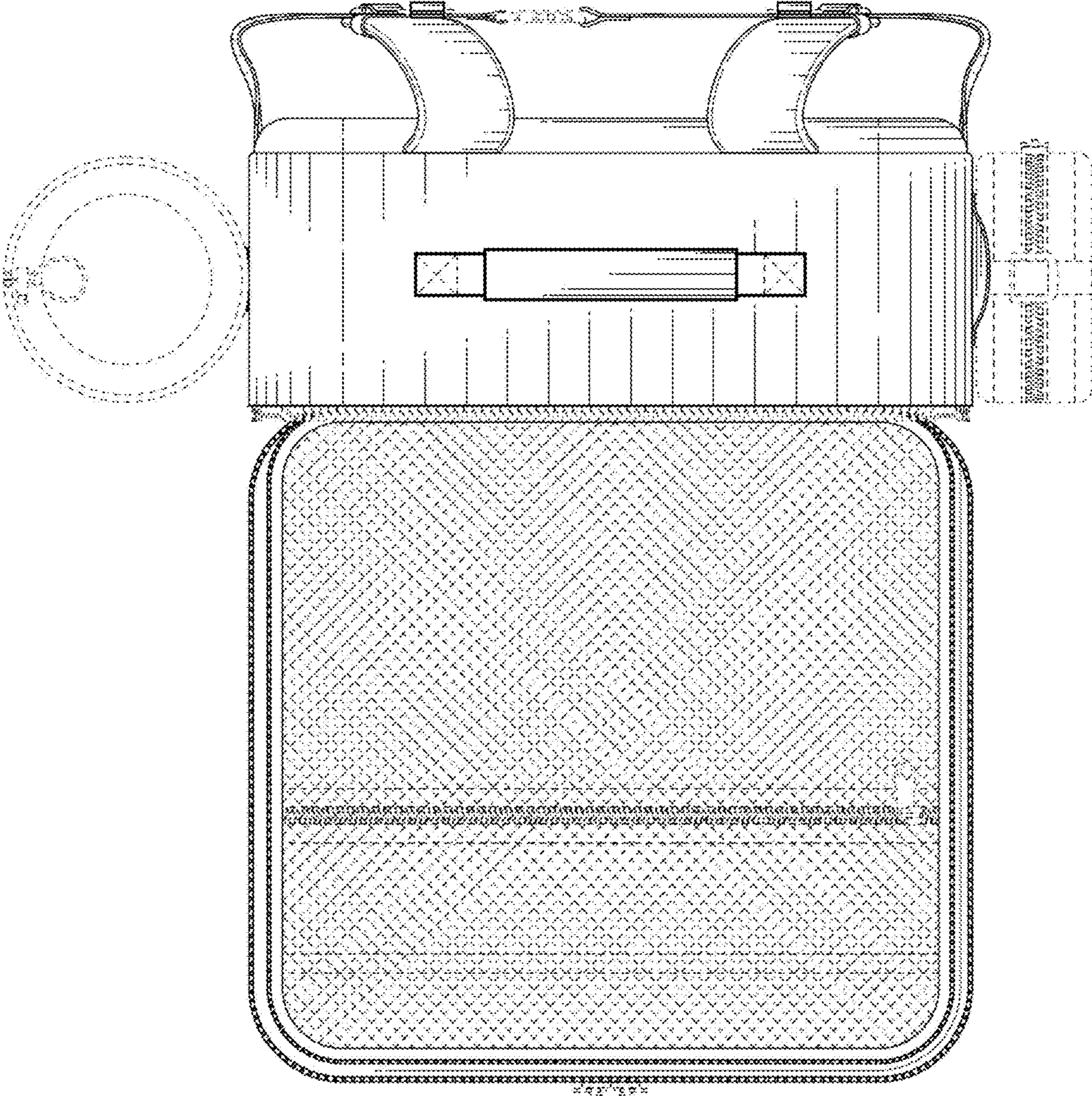


FIG. 5

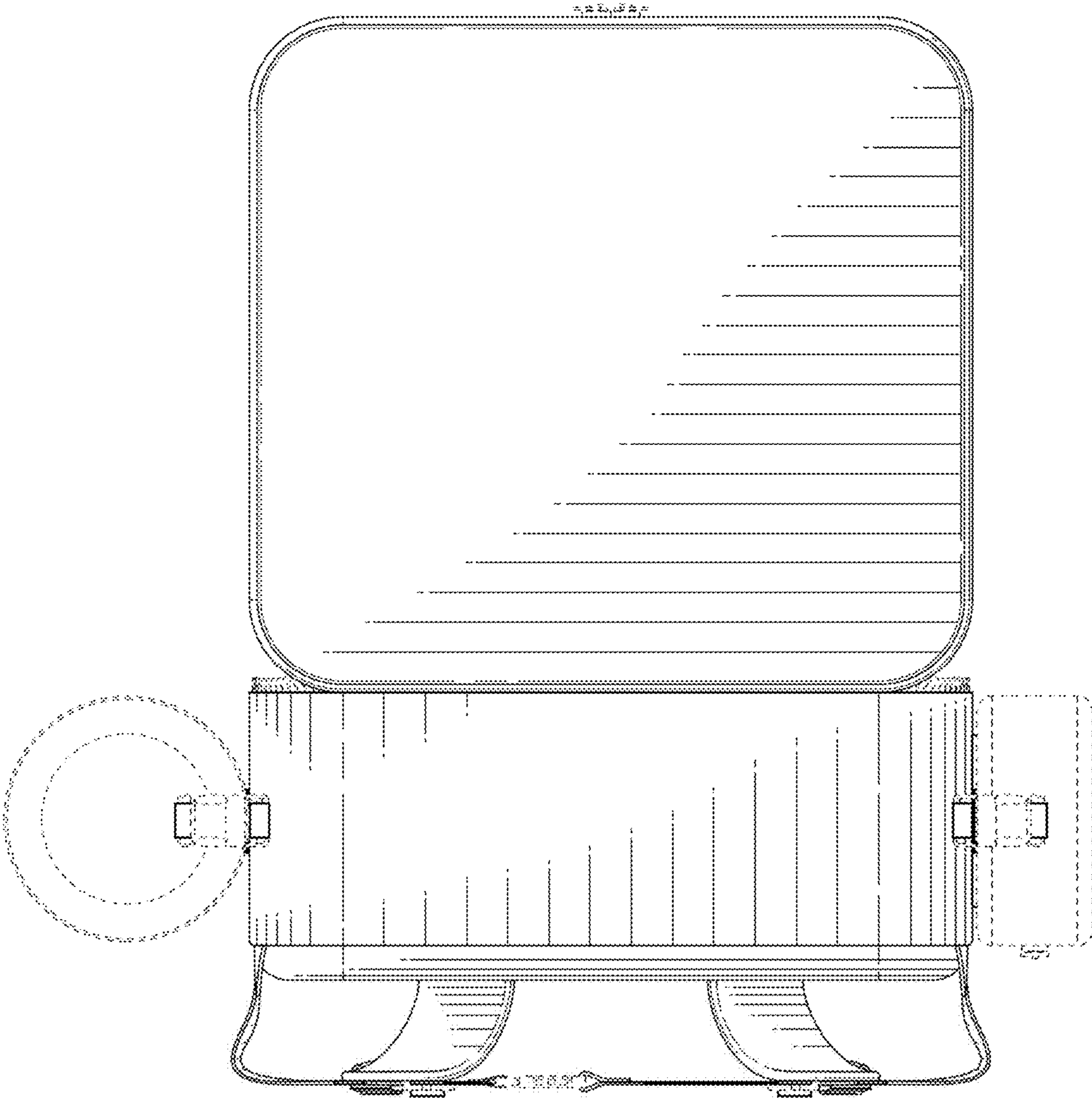


FIG. 6