



US00D965980S

(12) **United States Design Patent**
Aagaard

(10) **Patent No.:** **US D965,980 S**
(45) **Date of Patent:** **** Oct. 11, 2022**

- (54) **STORAGE BOX WITH REMOVABLE LID**
- (71) Applicant: **Patti Ann Aagaard**, Sherman Oaks, CA (US)
- (72) Inventor: **Patti Ann Aagaard**, Sherman Oaks, CA (US)
- (**) Term: **15 Years**
- (21) Appl. No.: **29/795,633**
- (22) Filed: **Jun. 18, 2021**
- (51) **LOC (13) Cl.** **03-01**
- (52) **U.S. Cl.**
USPC **D3/294; D9/432**
- (58) **Field of Classification Search**
USPC D9/414-423, 430-433, 457, 699, 711, D9/713, 737; D3/276, 294, 288, 290
CPC B65D 5/00; B65D 5/0015; B65D 5/02; B65D 5/0227; B65D 5/0236; B65D 5/18; B65D 5/20; B65D 5/32
See application file for complete search history.

- D339,686 S * 9/1993 Feuer D3/903
- 5,356,022 A * 10/1994 Tipps B65D 5/54 229/148
- 6,170,723 B1 1/2001 Howell
- D530,916 S * 10/2006 Sakaguchi D3/273
- 7,870,972 B2 1/2011 Elefante
- (Continued)

- (56) **References Cited**
U.S. PATENT DOCUMENTS
- 2,398,405 A * 4/1946 Brooks B65D 5/12 229/5.5
- 2,583,211 A * 1/1952 Fleming B65D 5/706 229/125.09
- 2,971,688 A * 2/1961 Akers B65D 5/02 229/126
- 4,244,473 A * 1/1981 Peters B65D 5/70 220/279
- 4,548,351 A * 10/1985 Gusic B65D 5/70 222/105
- 4,863,052 A * 9/1989 Lambert A61B 50/36 229/131.1
- 5,002,200 A 3/1991 Hunt
- 5,039,004 A * 8/1991 Simpson B01L 1/50 220/908
- 5,096,114 A * 3/1992 Higginbotham A61B 50/36 229/149
- D328,375 S * 7/1992 Levine D9/416

OTHER PUBLICATIONS

Calibrador De Globos Cubo Madera Para Decoracion Fiesta 9 Tamaños 12 Pulgadas US ebay.com <https://www.ebay.com/itm/313528985042?chn=ps&mkevt=1&mkcid=28>.

Primary Examiner — Vy N Koenig

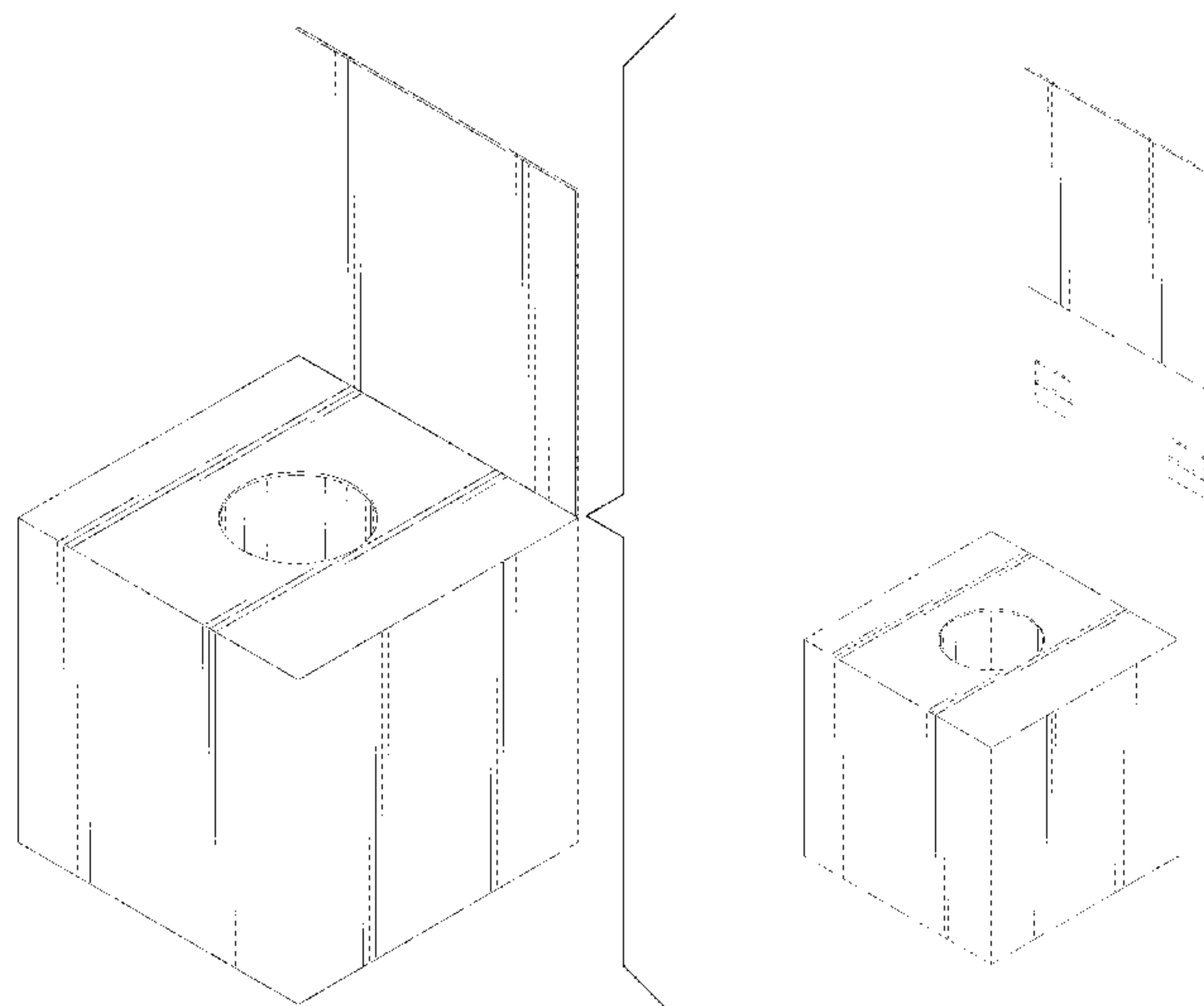
(57) **CLAIM**

The ornamental design for a storage box with removable lid, as shown and described.

DESCRIPTION

FIG. 1 is a top-front-left perspective view of a storage box with removable lid showing my new design;
 FIG. 2 is a bottom-rear-right perspective view thereof;
 FIG. 3 is a left elevational view thereof;
 FIG. 4 is a right elevational view thereof;
 FIG. 5 is a top plan view thereof;
 FIG. 6 is a bottom plan view thereof;
 FIG. 7 is a front elevational view thereof;
 FIG. 8 is a back elevational view thereof;
 FIG. 9 is a reduced exploded top-front-left perspective view thereof;
 FIG. 10 is a reduced exploded bottom-rear-right perspective view thereof; and,
 FIG. 11 is a top-front-left perspective view thereof in a closed configuration.
 The broken line showing hinges in FIGS. 2-11 is included for the purpose of illustrating environmental structure and forms no part of the claimed design.

1 Claim, 11 Drawing Sheets



(56)

References Cited

U.S. PATENT DOCUMENTS

8,746,544	B2	6/2014	Cruz	
10,173,832	B2	1/2019	Chatelain	
D885,178	S *	5/2020	Metry	D9/432
D891,921	S *	8/2020	Davies	D34/7
11,034,515	B2 *	6/2021	Davies	B65F 1/02

* cited by examiner

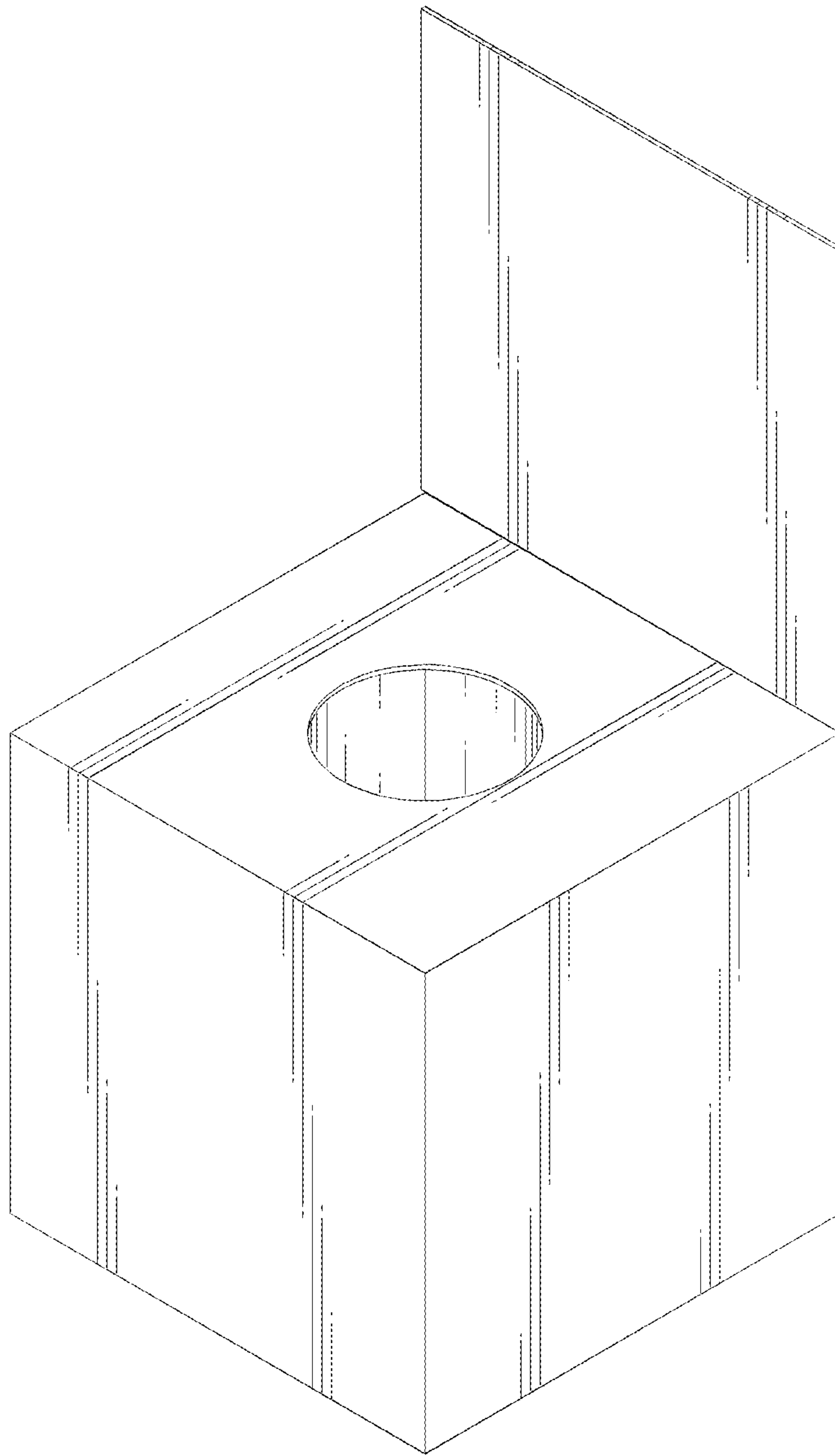


FIG. 1

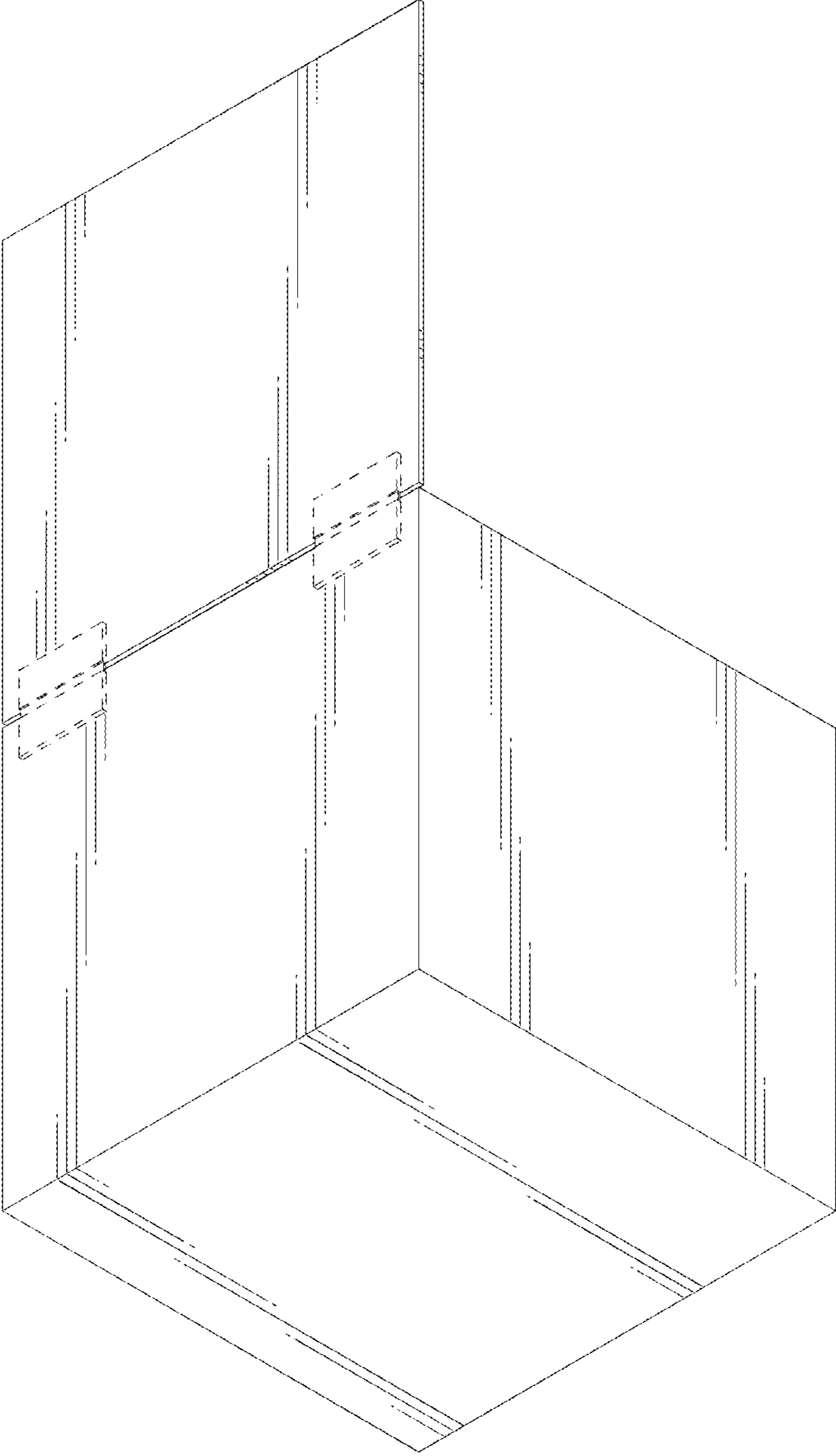


FIG. 2

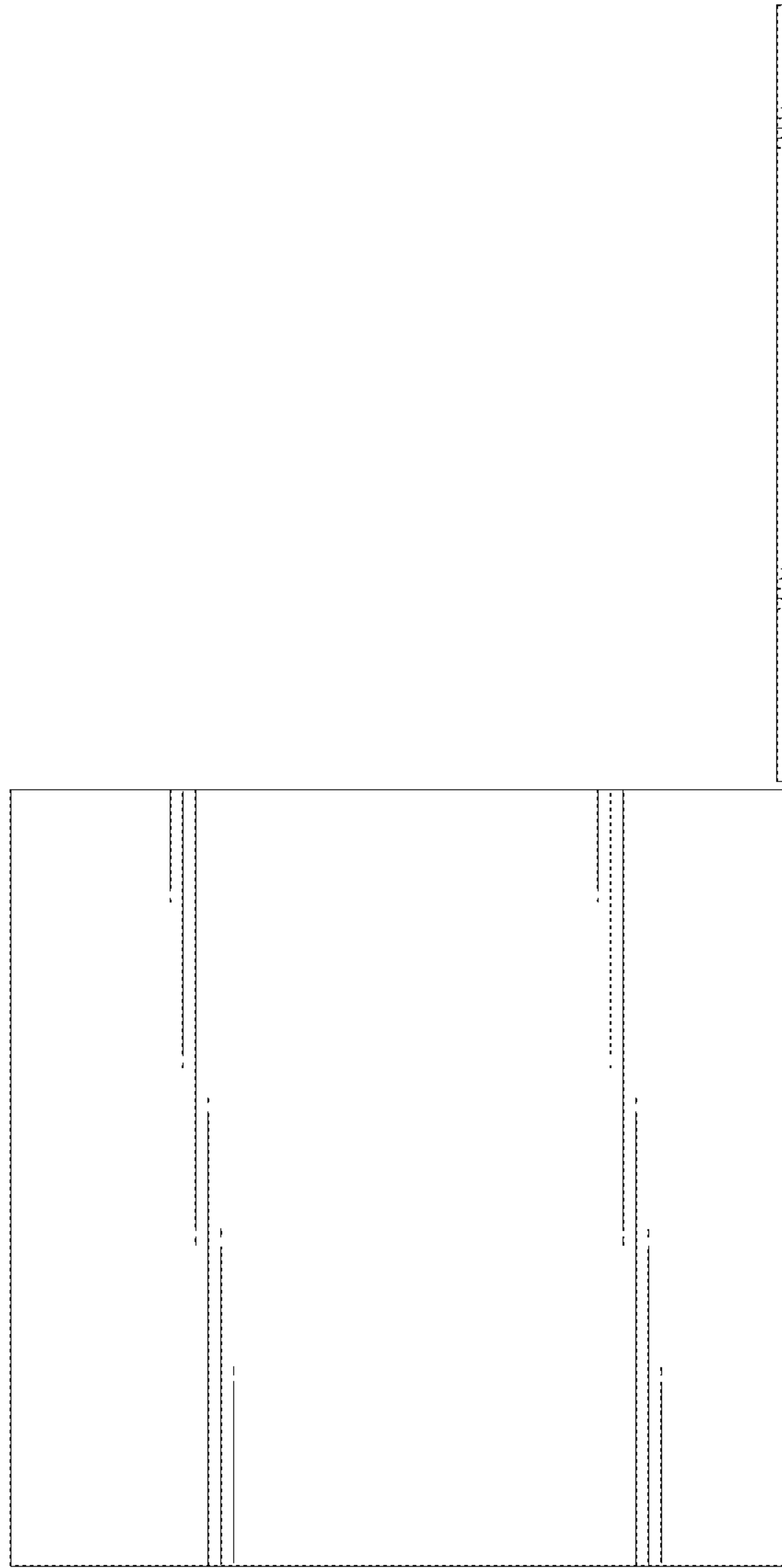


FIG. 3

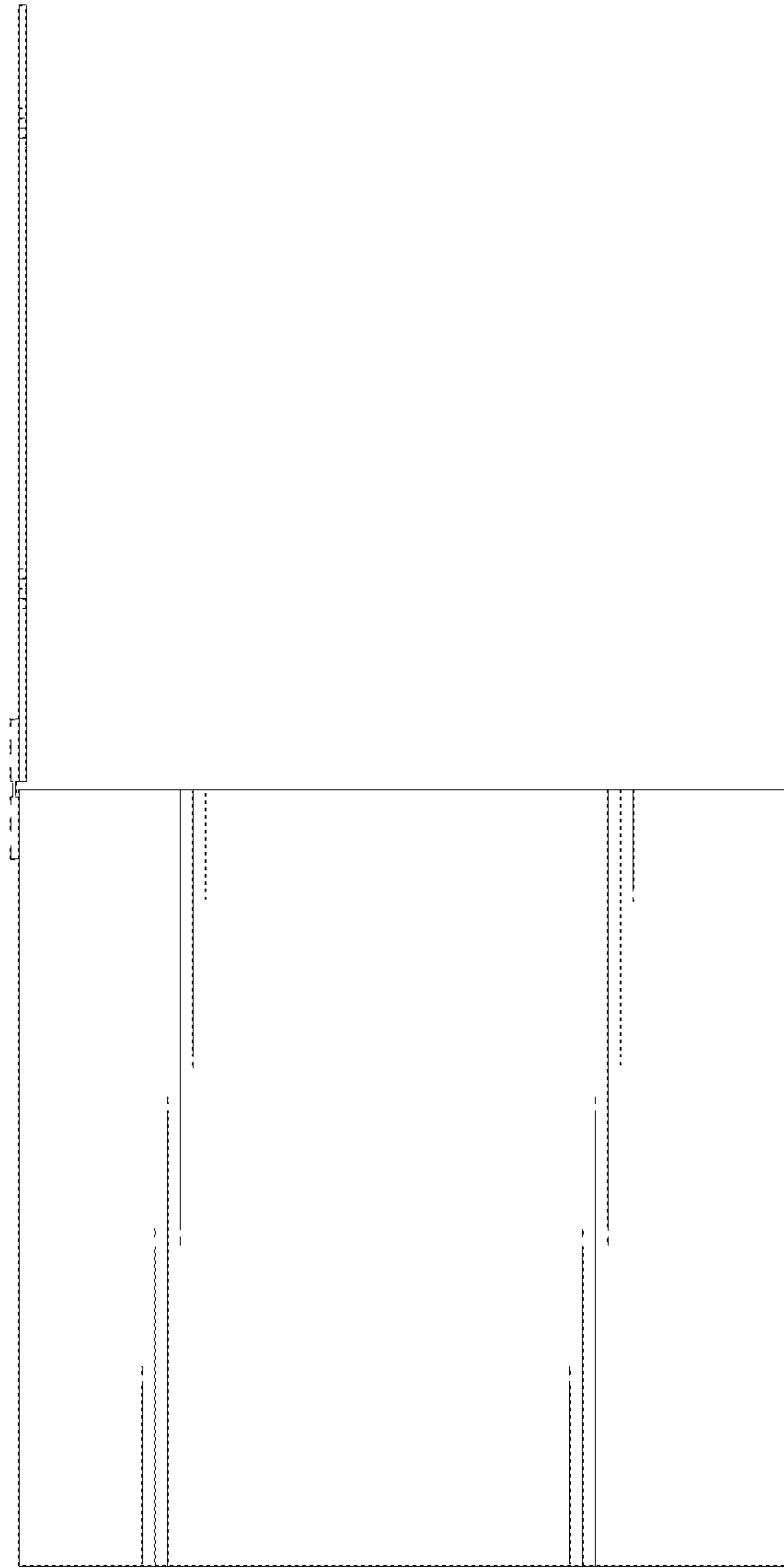


FIG. 4

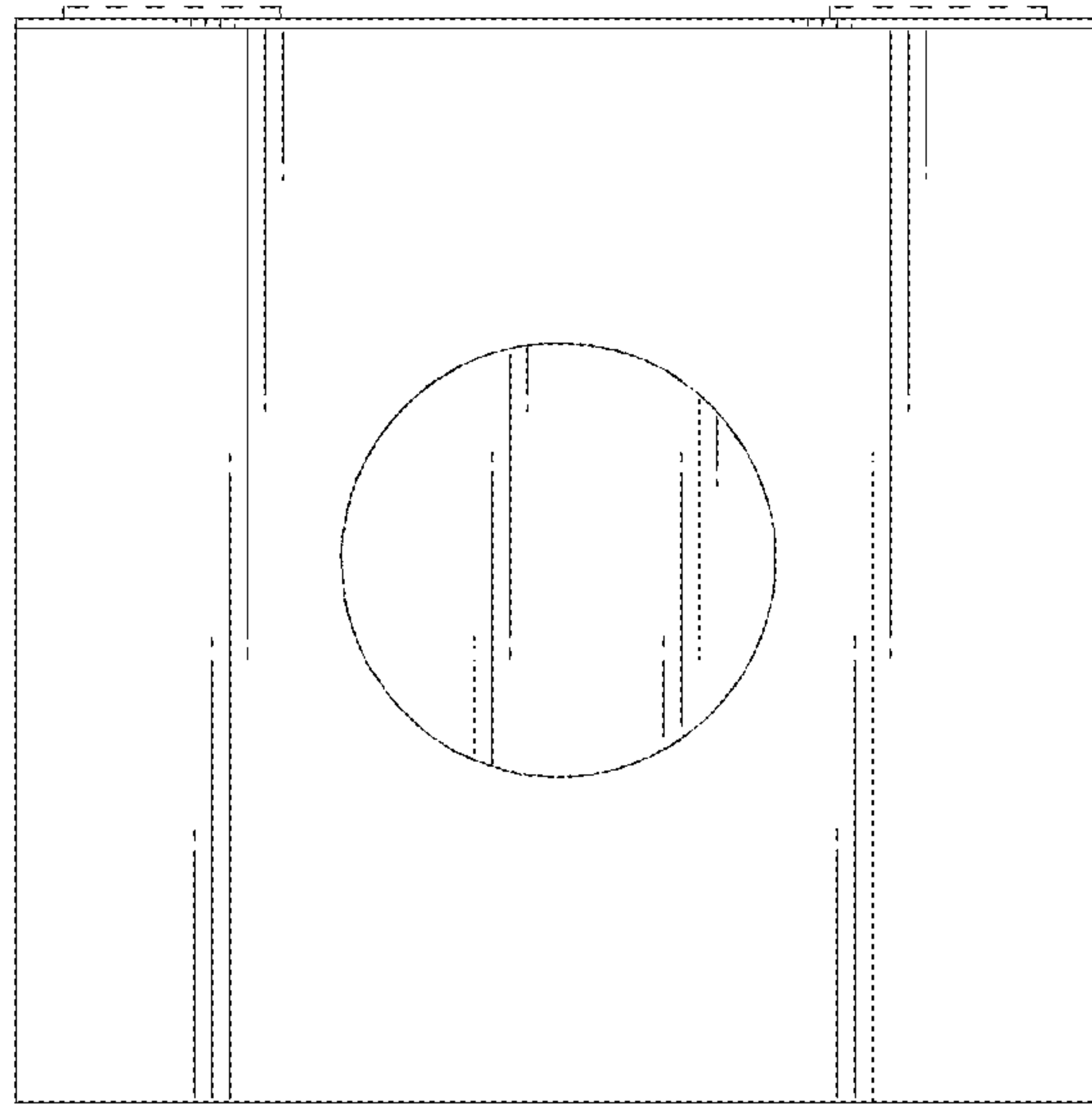


FIG. 5

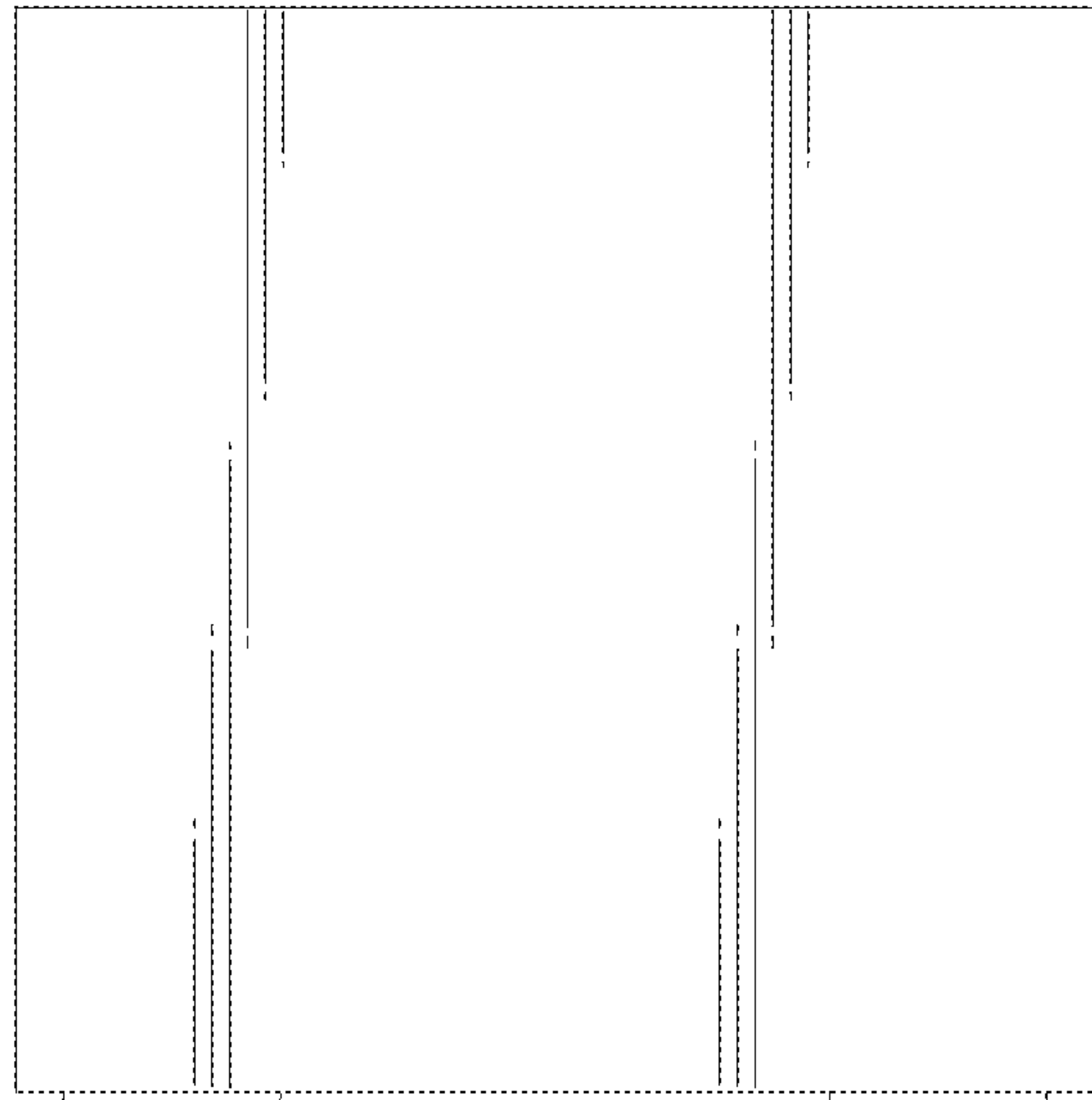


FIG. 6

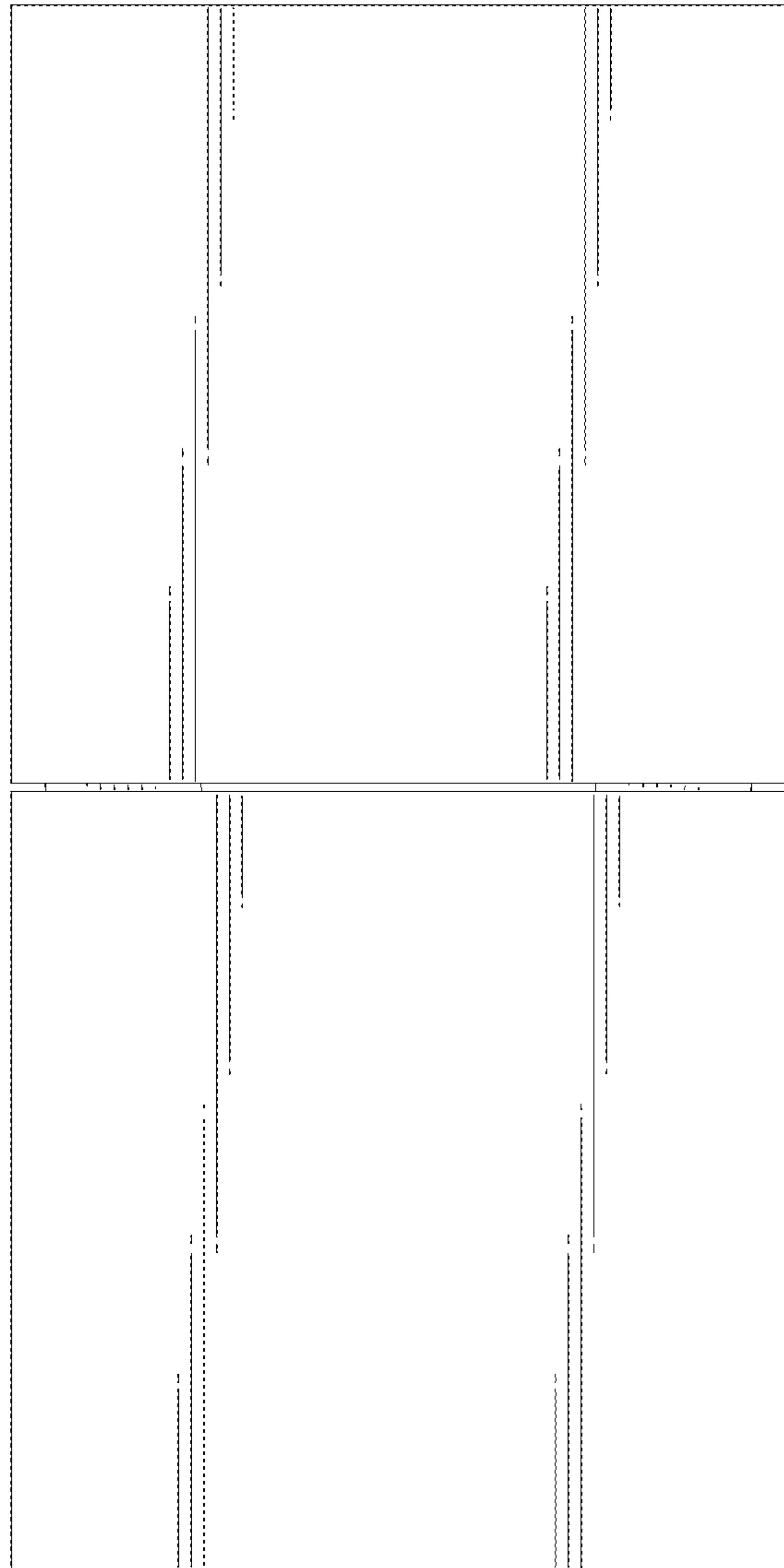


FIG. 7

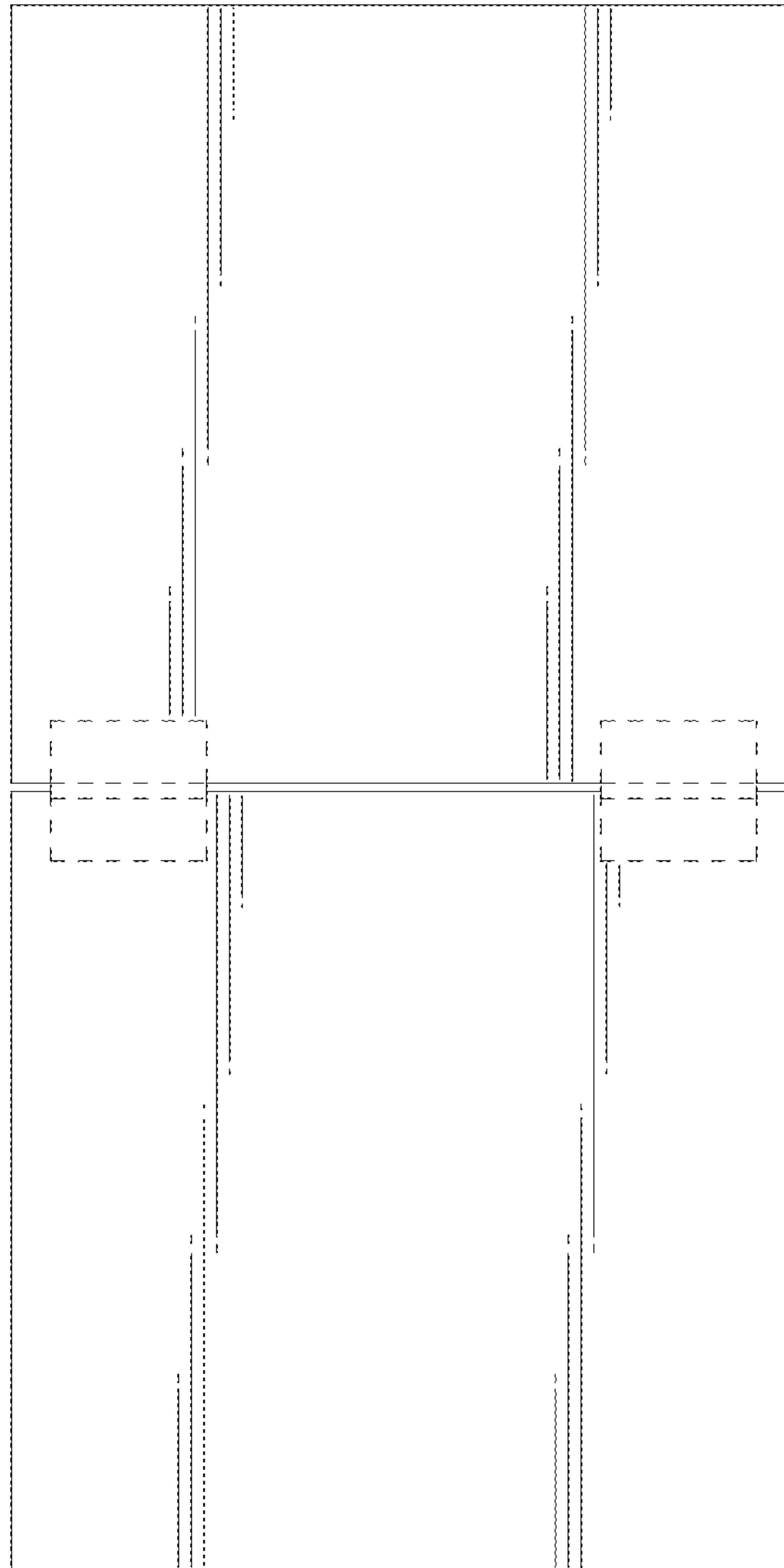


FIG. 8

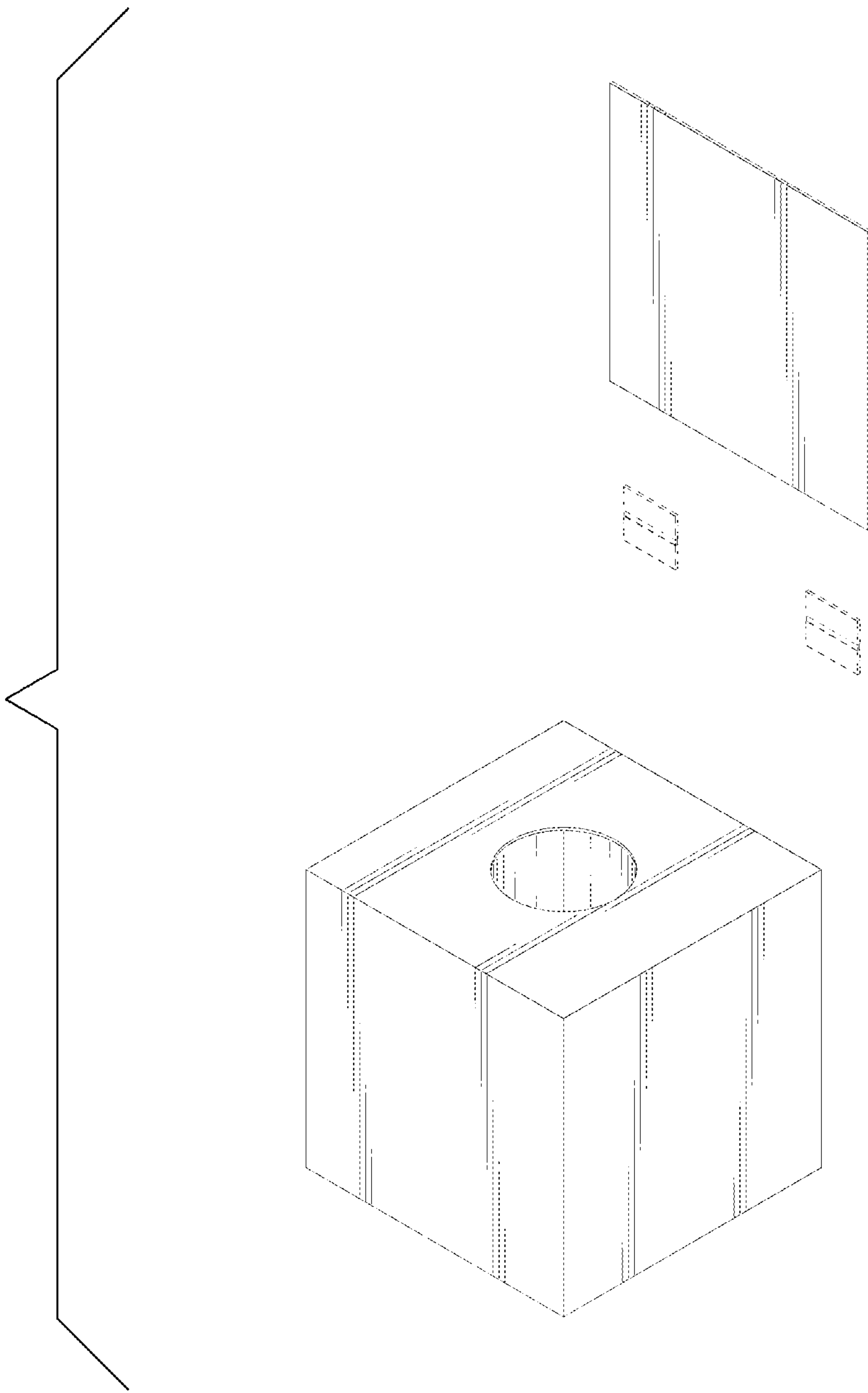


FIG. 9

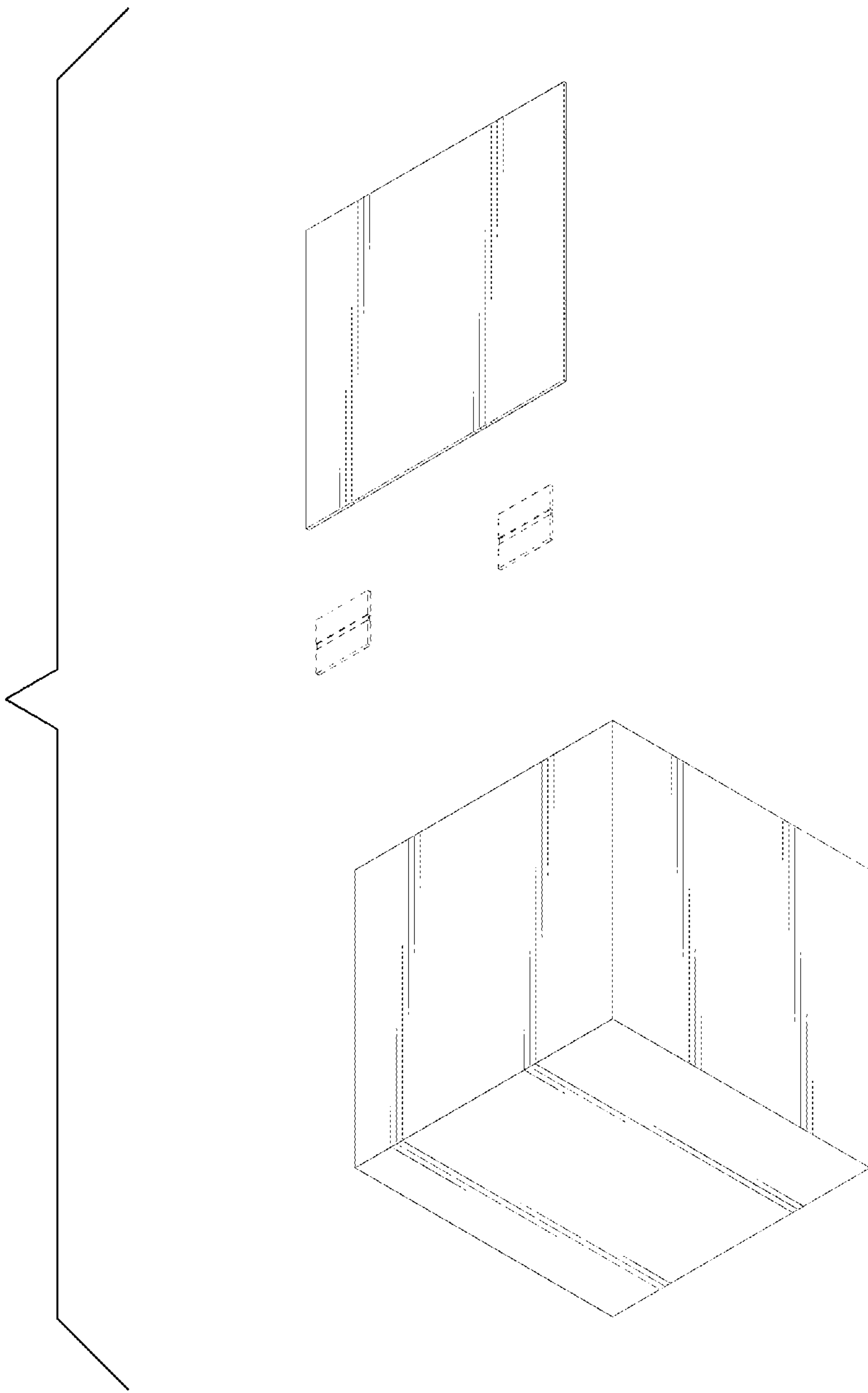


FIG. 10

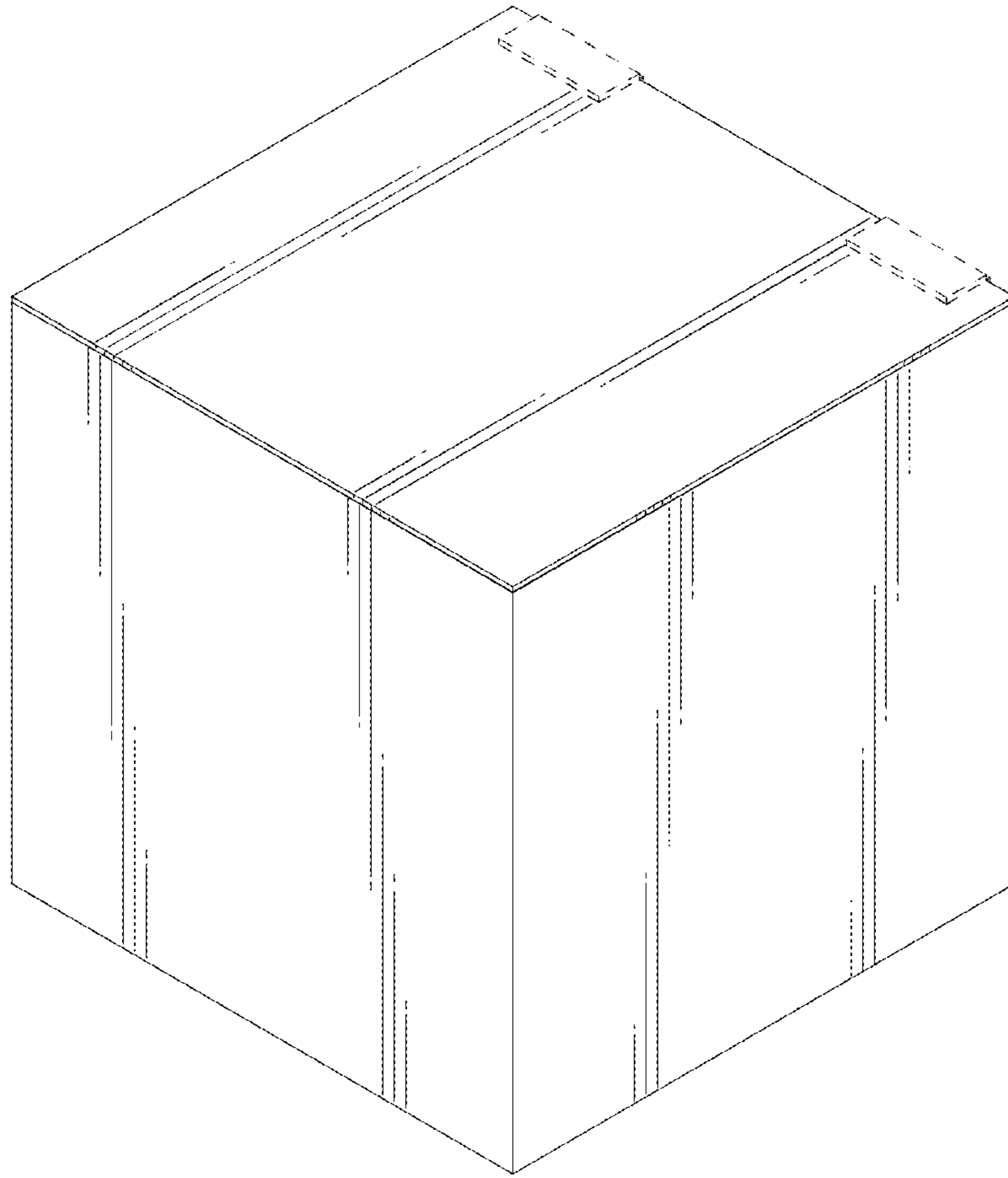


FIG. 11