



US00D965979S

(12) **United States Design Patent** (10) **Patent No.:** **US D965,979 S**
Chen (45) **Date of Patent:** **** Oct. 11, 2022**

(54) **BOX**
(71) Applicant: **Dongguan Zhuorui Office Supplies Trading Co., Ltd., Dongguan (CN)**
(72) Inventor: **Bochao Chen, Shenzhen (CN)**
(73) Assignee: **Dongguan Zhuorui Office Supplies Trading Co., Ltd., Dongguan (CN)**
(**) Term: **15 Years**
(21) Appl. No.: **29/821,657**
(22) Filed: **Dec. 31, 2021**
(51) **LOC (13) Cl.** **03-01**
(52) **U.S. Cl.**
USPC **D3/289; D3/301**
(58) **Field of Classification Search**
USPC D7/637, 641; D3/273, 276, 285, 287,
D3/283, 289, 301, 901, 903, 206, 291;
D19/83, 85
CPC A47G 29/08; A47J 45/02; A45C 11/008;
A45C 5/005; A45D 44/18
See application file for complete search history.

D881,992 S * 4/2020 Liu D21/333
D922,769 S * 6/2021 Guo D3/289
D929,732 S * 9/2021 Ding D3/273
D937,580 S * 12/2021 Huang D3/301

OTHER PUBLICATIONS

Amazon, "Mini Travel Carrying Cases . . .", First on sale Apr. 25, 2020. (<https://www.amazon.com/Carrying-Portable-Shockproof-Resistant-Organizer/dp/B07NQMM4FJ>) (Year: 2020).
Amazon, "khanka Hard Travel Case Replacement for Kodak . . .", First on sale Jan. 8, 2020. (<https://www.amazon.com/dp/B083NH6CDD/>) (Year: 2020).
Amazon, "LTGEM EVA Hard Travel Carrying Case . . .", First on sale Jun. 26, 2018. (<https://www.amazon.com/LTGEM-Carrying-Samsung-Portable-External/dp/B07F1PPV61?th=1>) (Year: 2018).*

* cited by examiner

Primary Examiner — April Rivas

(57) **CLAIM**

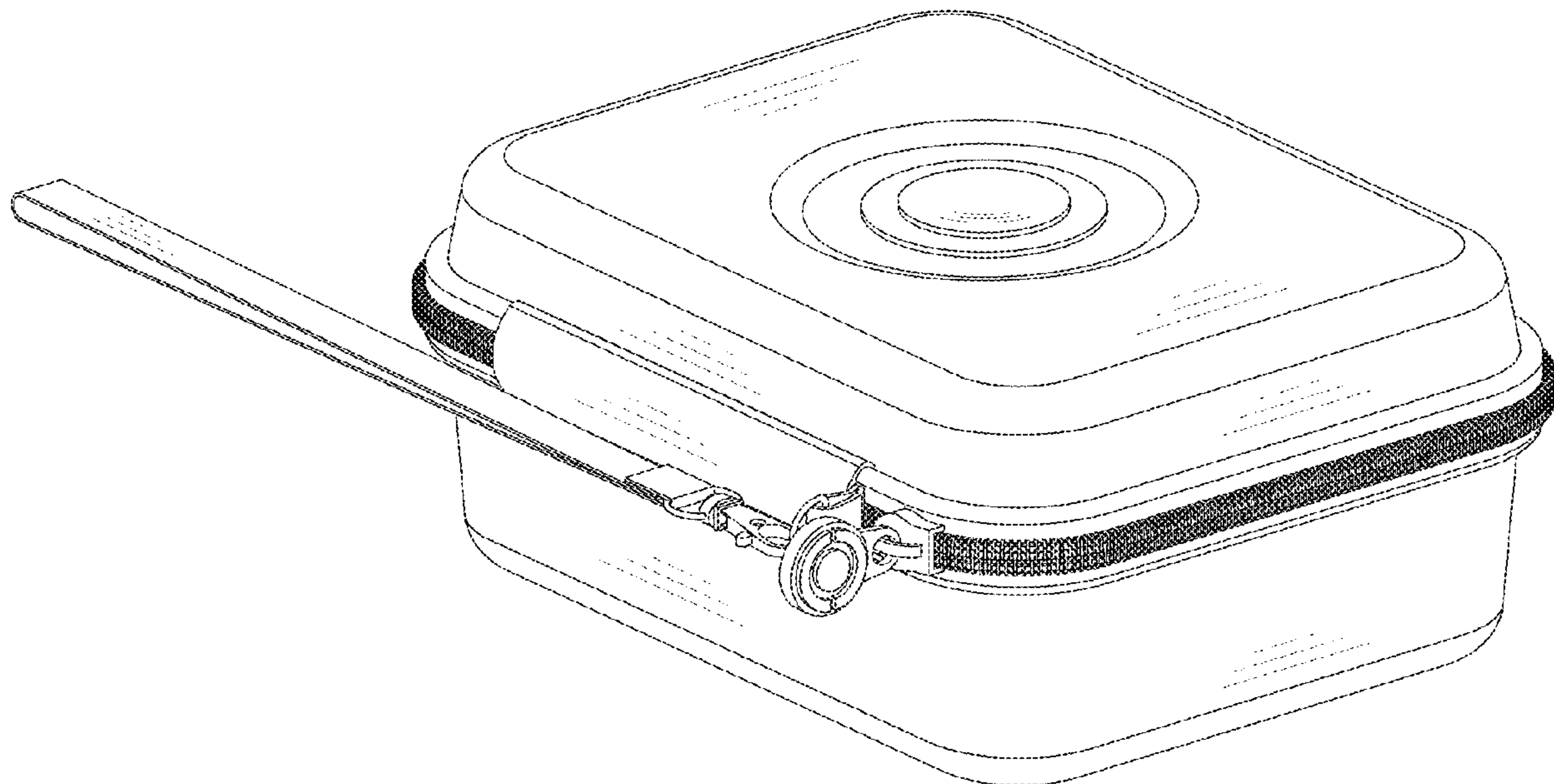
The ornamental design for a box, as shown and described.

DESCRIPTION

FIG. 1 is a perspective view of a box showing my new design;
FIG. 2 is a front view thereof;
FIG. 3 is a rear view thereof;
FIG. 4 is a left side view thereof;
FIG. 5 is a right side view thereof;
FIG. 6 is a top plan view thereof; and,
FIG. 7 is a bottom plan view thereof.

1 Claim, 7 Drawing Sheets

(56) **References Cited**
U.S. PATENT DOCUMENTS
D512,216 S * 12/2005 Joyce D3/203.6
D692,236 S * 10/2013 Ashkenazy D3/289
D748,915 S 2/2016 Reyes
D808,168 S * 1/2018 Turczynskij D3/301
D866,165 S 11/2019 Luo
D866,969 S * 11/2019 Cordani D3/301



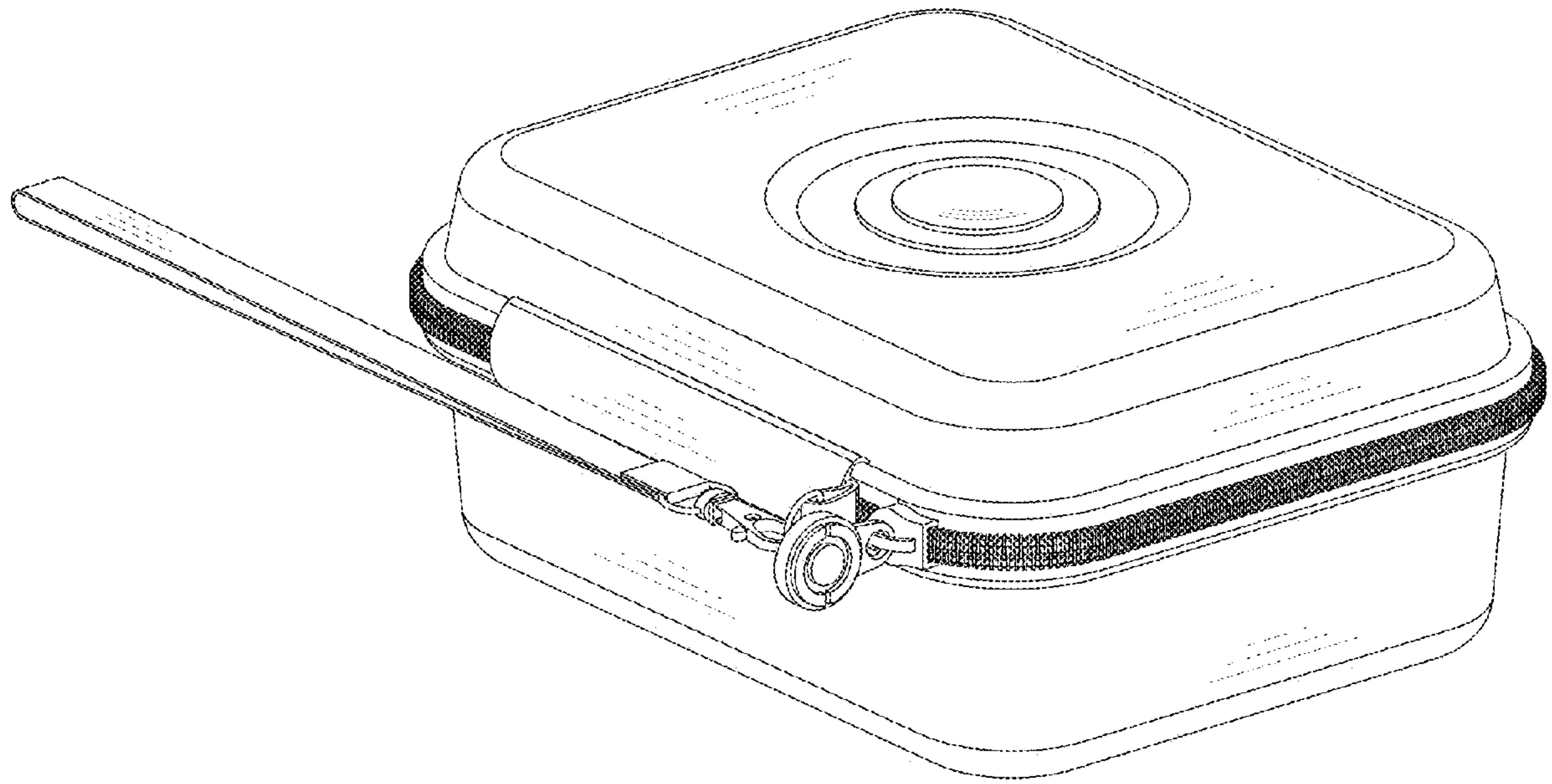


FIG. 1

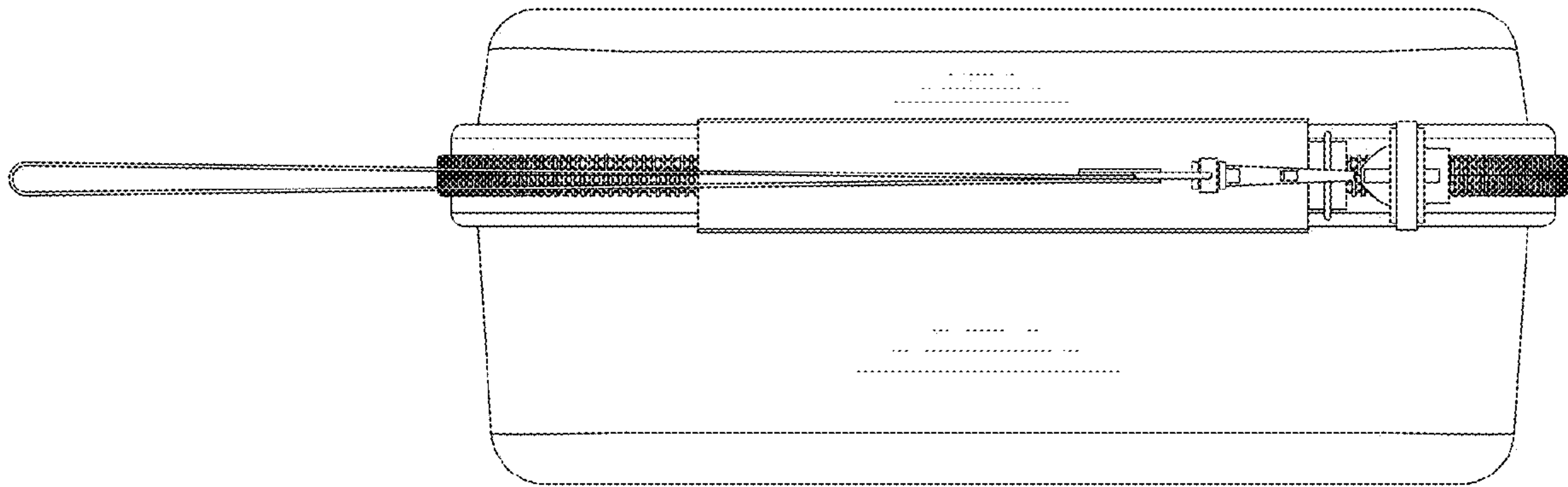


FIG. 2

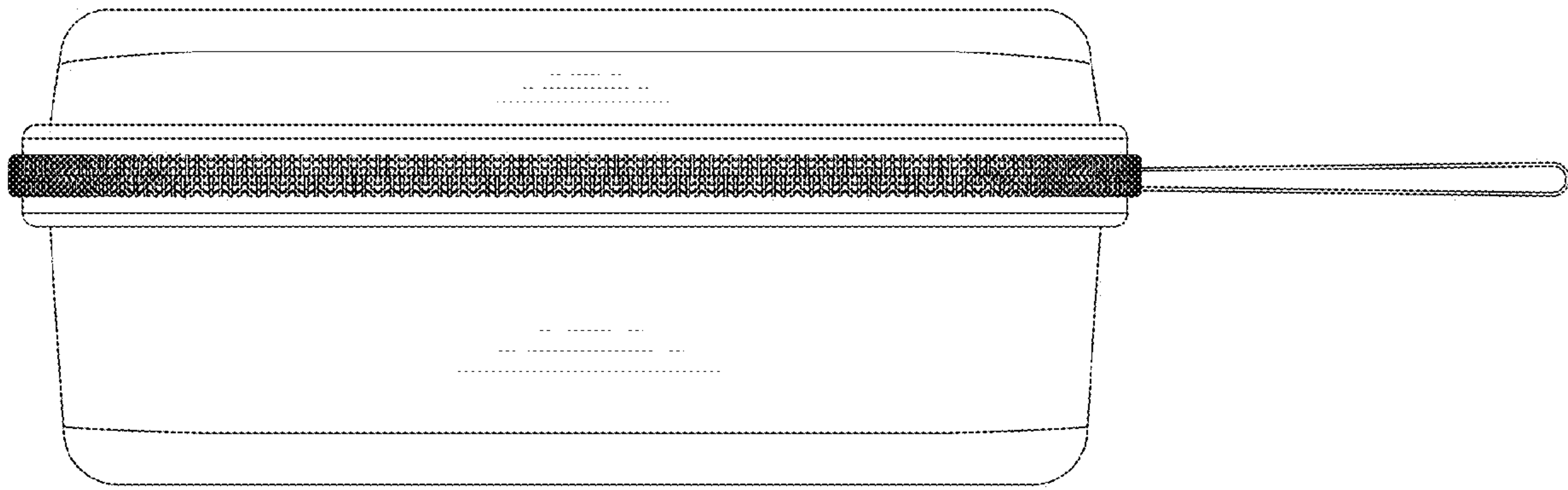


FIG. 3

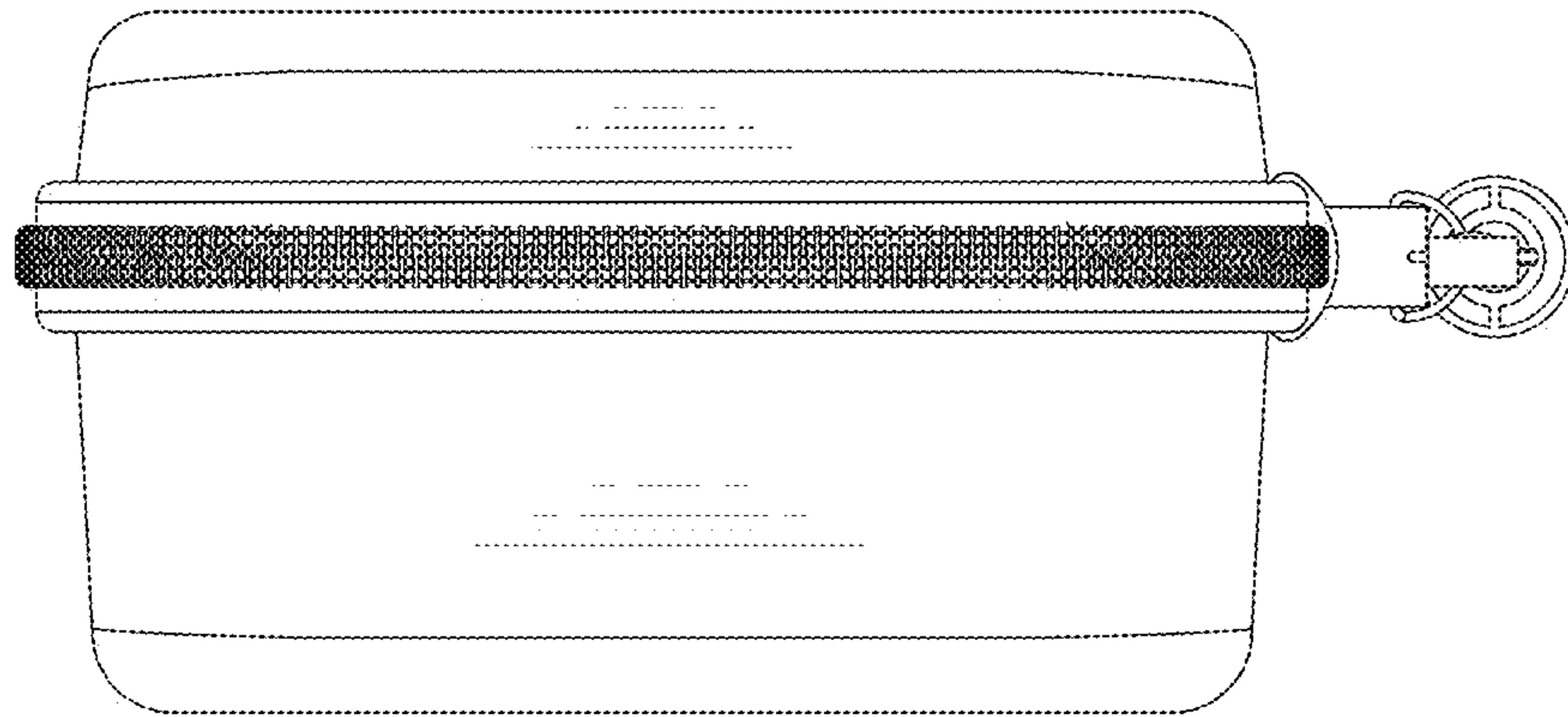


FIG. 4

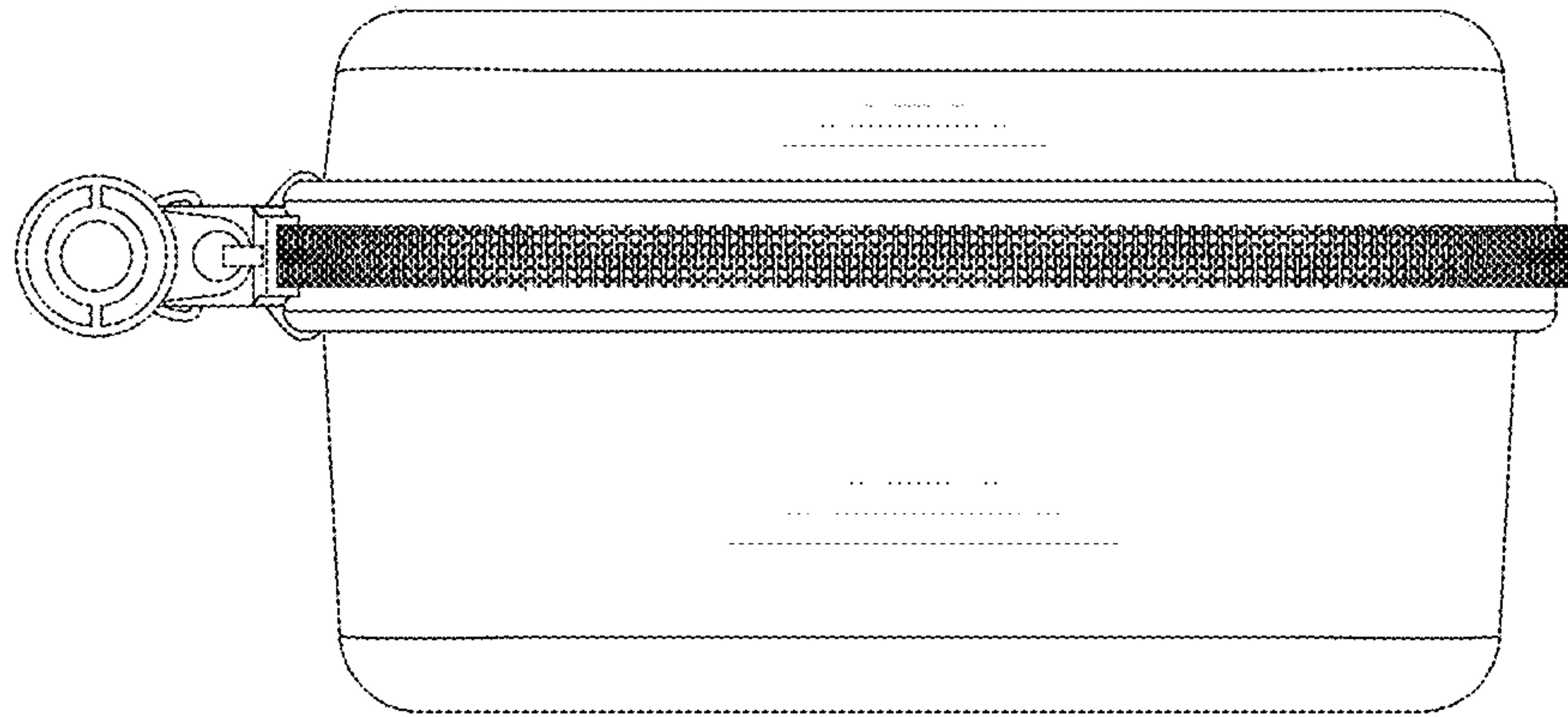


FIG. 5

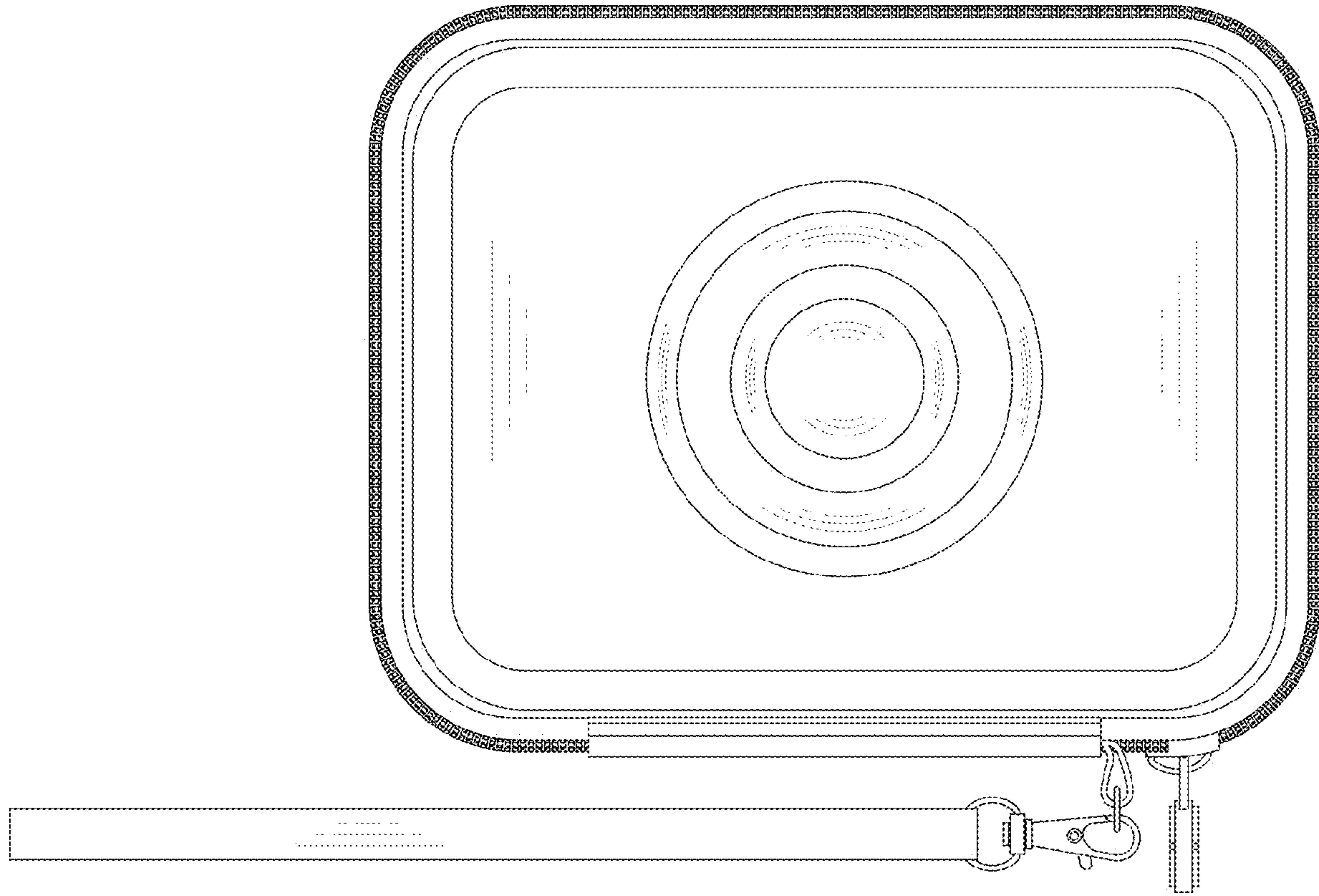


FIG. 6

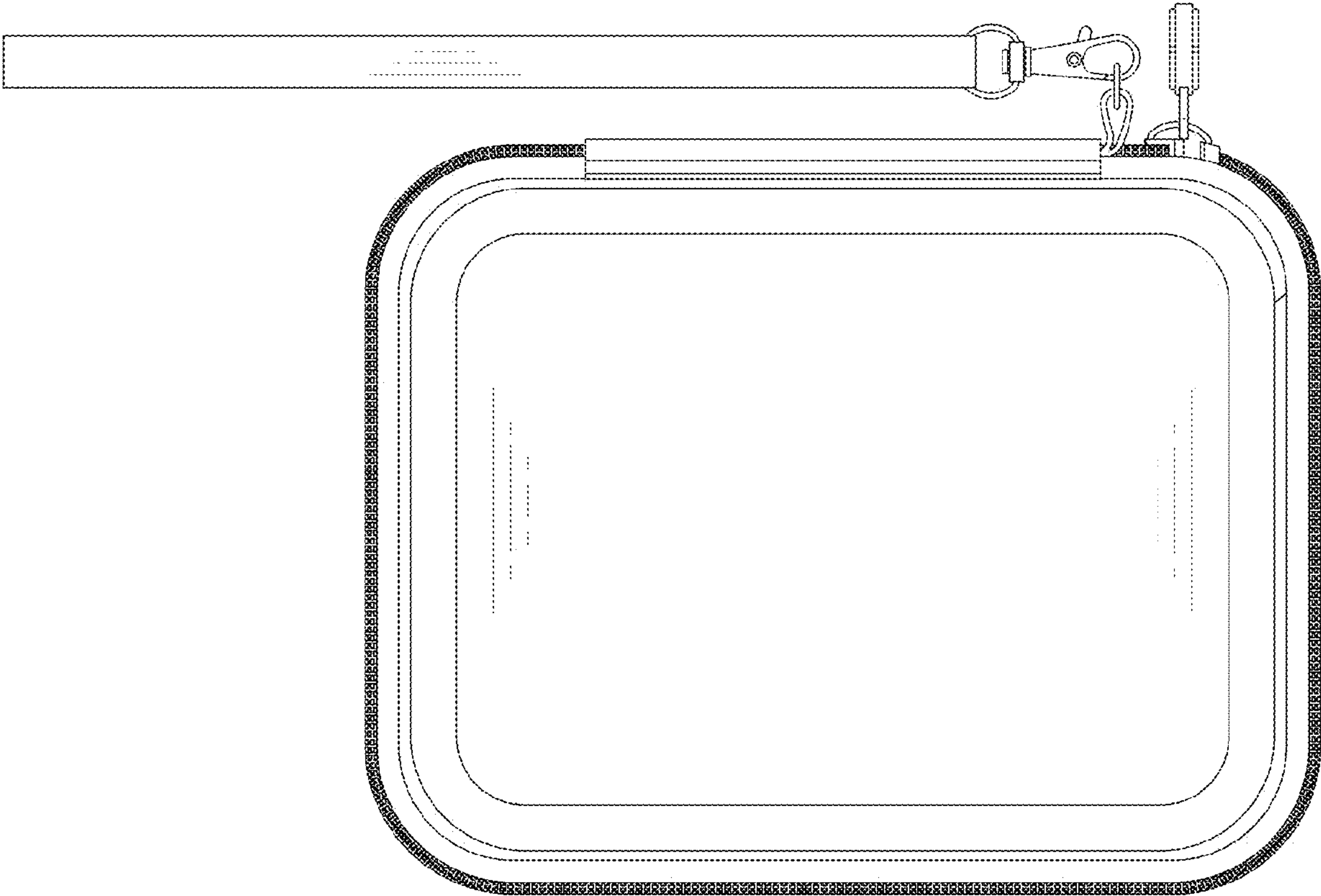


FIG. 7