



US00D965978S

(12) **United States Design Patent**
Desroches et al.

(10) **Patent No.:** **US D965,978 S**

(45) **Date of Patent:** **** *Oct. 11, 2022**

(54) **DUFFEL BAG**

4,895,230 A 1/1990 King
D371,907 S * 7/1996 Cyr D3/286
6,296,165 B1 10/2001 Mears
6,334,519 B1 1/2002 Tong

(Continued)

(71) Applicant: **YETI Coolers, LLC**, Austin, TX (US)

(72) Inventors: **Donald Edward Desroches**, Austin, TX (US); **John W. Dow**, Austin, TX (US); **Calvin Tabor**, Austin, TX (US)

FOREIGN PATENT DOCUMENTS

(73) Assignee: **YETI Coolers, LLC**, Austin, TX (US)

CN 301754536 12/2011
CN 302769599 3/2014

(Continued)

(*) Notice: This patent is subject to a terminal disclaimer.

OTHER PUBLICATIONS

(**) Term: **15 Years**

Mountain Classic Cordura Duffle Medium, unknown first available date, llbean.com [online], [site visited Nov. 4, 2021], Available at URL: <https://www.llbean.com/llb/shop/121980?page=cordura-duffle-medium&bc=50-516673&feat=516673-GN1&csp=f&pos=6> (Year: 2021).*

(21) Appl. No.: **29/762,947**

(Continued)

(22) Filed: **Dec. 18, 2020**

(51) **LOC (13) Cl.** **03-01**

(52) **U.S. Cl.**

USPC **D3/289**

(58) **Field of Classification Search**

USPC D3/203.1–203.2, 203.5–203.6, 206, 254, D3/263, 267–268, 272–273, 276, 279, D3/281–290, 294, 299, 301, 303, D3/318–319, 321, 327, 902
CPC .. A45C 1/024; A45C 3/00; A45C 3/02; A45C 2003/007; A45C 2003/008; A45C 5/00; A45C 5/02; A45C 5/03; A45C 5/04; A45C 5/06; A45C 5/14; A45C 5/005; A45C 2005/032; A45C 2005/035; A45C 2005/037; A45C 2005/142; A45C 2005/148; A45C 7/00; A45C 7/0018; A45C 2011/003; A45C 13/02; A45C 13/28; A45C 13/36; A45C 13/385

See application file for complete search history.

Primary Examiner — Jeffrey D Asch

Assistant Examiner — Caitlin A Laverty

(74) *Attorney, Agent, or Firm* — Banner & Witcoff, Ltd.

(57)

CLAIM

The ornamental design for a duffel bag, as shown and described.

DESCRIPTION

FIG. 1 is a front perspective view of a duffel bag showing our new design;
FIG. 2 is a front view thereof;
FIG. 3 is a rear view thereof;
FIG. 4 is a right side view thereof;
FIG. 5 is a left side view thereof;
FIG. 6 is a top view thereof; and,
FIG. 7 is a bottom view thereof.

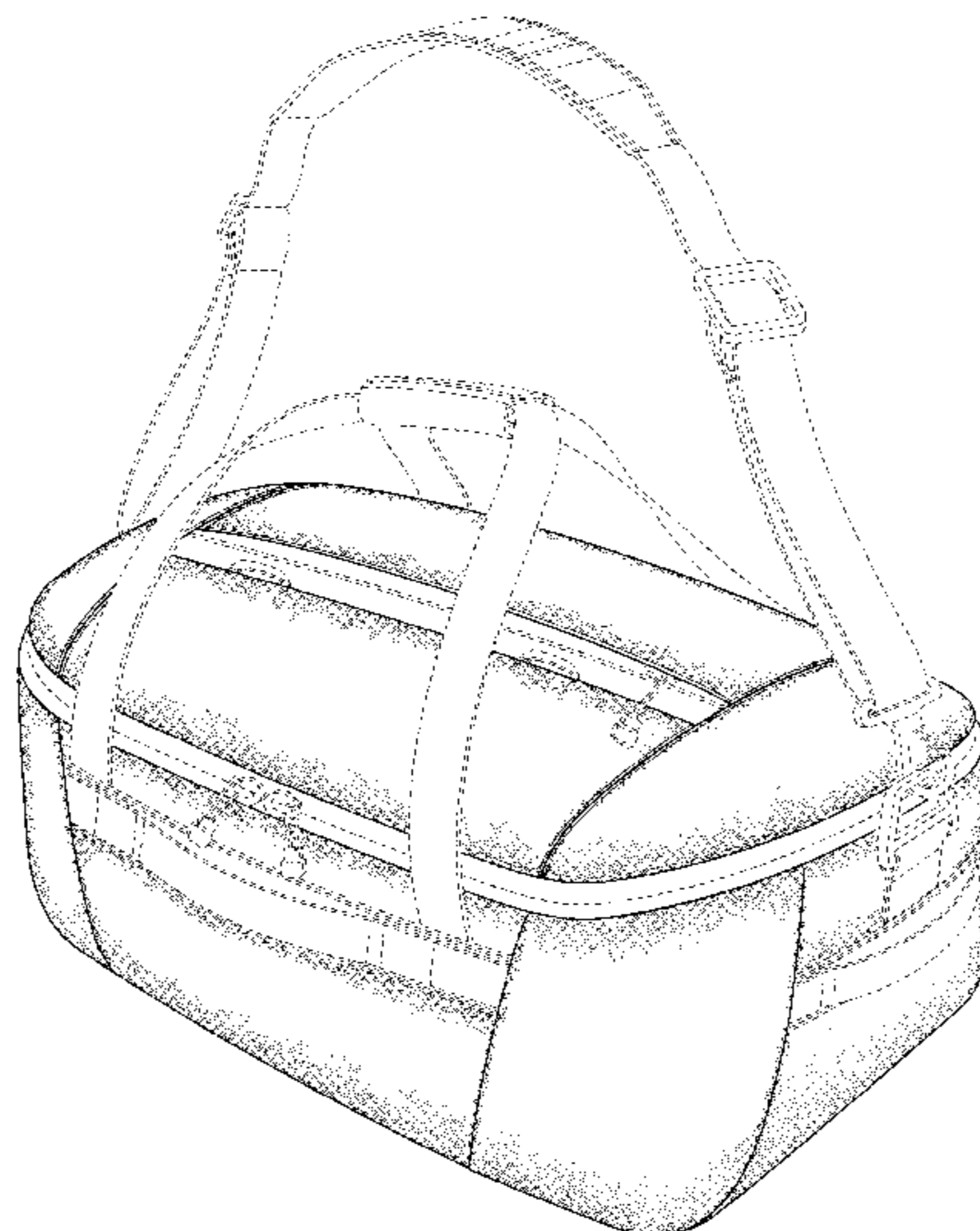
The portions of the duffel bag shown in broken lines and without shading, and broken lines showing stitching within shaded areas, form no part of the claimed design.

(56) **References Cited**

U.S. PATENT DOCUMENTS

4,488,624 A 12/1984 Myers
D281,646 S 12/1985 Bomes et al.
D281,649 S 12/1985 Bomes et al.

1 Claim, 7 Drawing Sheets



(56)

References Cited

FOREIGN PATENT DOCUMENTS

U.S. PATENT DOCUMENTS

6,508,358 B2 1/2003 Cheng
 D478,782 S 8/2003 Li
 6,742,635 B2 6/2004 Hirshberg
 6,821,019 B2 11/2004 Mogil
 7,004,363 B2 2/2006 Fenton et al.
 D518,956 S 4/2006 Van Himbeeck
 D548,966 S 8/2007 Aliberti et al.
 D560,450 S * 1/2008 Tagliati D3/287
 D575,059 S * 8/2008 Cappiello D3/283
 D620,708 S 8/2010 Sanz
 D625,102 S 10/2010 Jacobs
 D671,317 S 11/2012 Sabounjian
 D680,739 S 4/2013 Hock
 D681,329 S 5/2013 Hock
 D698,150 S 1/2014 Sabounjian
 D727,017 S 4/2015 Aberg et al.
 9,004,760 B2 4/2015 Tzortzis
 D732,824 S 6/2015 Tzortzis
 9,259,066 B2 2/2016 Pratt
 D754,440 S 4/2016 Ford
 D757,432 S 5/2016 Hansen
 D758,075 S 6/2016 Quarry et al.
 9,392,855 B2 7/2016 Taylor
 D782,820 S 4/2017 Thompson
 D808,225 S 1/2018 Seiders et al.
 10,271,626 B1 4/2019 Anderson
 D853,115 S 7/2019 Seiders et al.
 10,433,624 B2 10/2019 Amago
 D871,162 S 12/2019 Jacobsen
 D891,780 S * 8/2020 Hedrick D3/318
 D891,781 S * 8/2020 Hedrick D3/318
 D895,284 S * 9/2020 Sun D3/287
 D915,768 S * 4/2021 Lin D3/283
 D937,576 S 12/2021 Thibadeau
 D940,455 S 1/2022 Ulfers et al.
 D949,569 S * 4/2022 Sullivan D3/289
 2004/0149600 A1 8/2004 Wolter et al.
 2012/0267365 A1 10/2012 Sabounjian
 2013/0188892 A1 7/2013 Bevier
 2013/0322786 A1 12/2013 Nassanian
 2015/0083537 A1 3/2015 Ranly
 2017/0020250 A1 1/2017 Boschan
 2018/0098607 A1 4/2018 Seiders et al.
 2018/0279733 A1 10/2018 Young et al.
 2019/0022262 A1 1/2019 Andrews et al.
 2019/0239609 A1 8/2019 Lee

CN 303830711 9/2016
 CN 304181898 6/2017
 CN 304790697 8/2018
 CN 304808664 9/2018
 CN 304896054 11/2018
 CN 304896055 11/2018
 CN 305495244 12/2019
 CN 305584033 2/2020
 DE 8535946 U1 2/1986
 DE 202019104959 U1 12/2019
 EM 000281365-0013 3/2005
 EM 001566639-0010 9/2009
 EM 002309591-0001 12/2013
 EM 002309591-0002 12/2013
 EM 002309591-0003 12/2013
 EM 002309591-0004 12/2013
 EM 002309591-0005 12/2013
 EM 002872192-0010 2/2016
 EM 003359199-0002 9/2016
 EM 002942987-0004 3/2017
 EM 002942987-0005 3/2017
 EM 005824794-0001 11/2018
 EM 006619219-0001 7/2019
 EM 006619219-0002 7/2019
 EM 006700647-0002 8/2019
 EM 007145461-0012 11/2019
 EM 008579163-0001 * 6/2021
 EM 008582746-0011 * 6/2021
 GB 2230941 B 3/1991
 GB 2472395 B 4/2013
 HU 89555-0001 6/2003
 JP D1176604 6/2003
 JP D1441795 5/2012
 KR 300687326.0000 4/2013
 KR 101371564 B1 3/2014
 KR 300899220.0000 3/2017
 WO D039724-011 6/1997

OTHER PUBLICATIONS

Herschel Supply Co—Sutton Herringbone Canvas Duffle Bag—Green, unknown first available date, clothbase.com [online], [site visited Nov. 4, 2021], Available at internet URL: https://clothbase.com/items/5d5ddcda_herschel-supply-co-sutton-herringbone-canvas-duffle-bag-green_herschel-supply-co (Year: 2021).*
 Yeti Crossroads Duffels video, YouTube user Yeti, video posted Apr. 8, 2021, youtube.com [online], [site visited Nov. 4, 2021], Available at URL: <https://www.youtube.com/watch?v=XgYOIF2IHFU> (Year: 2021).*

* cited by examiner

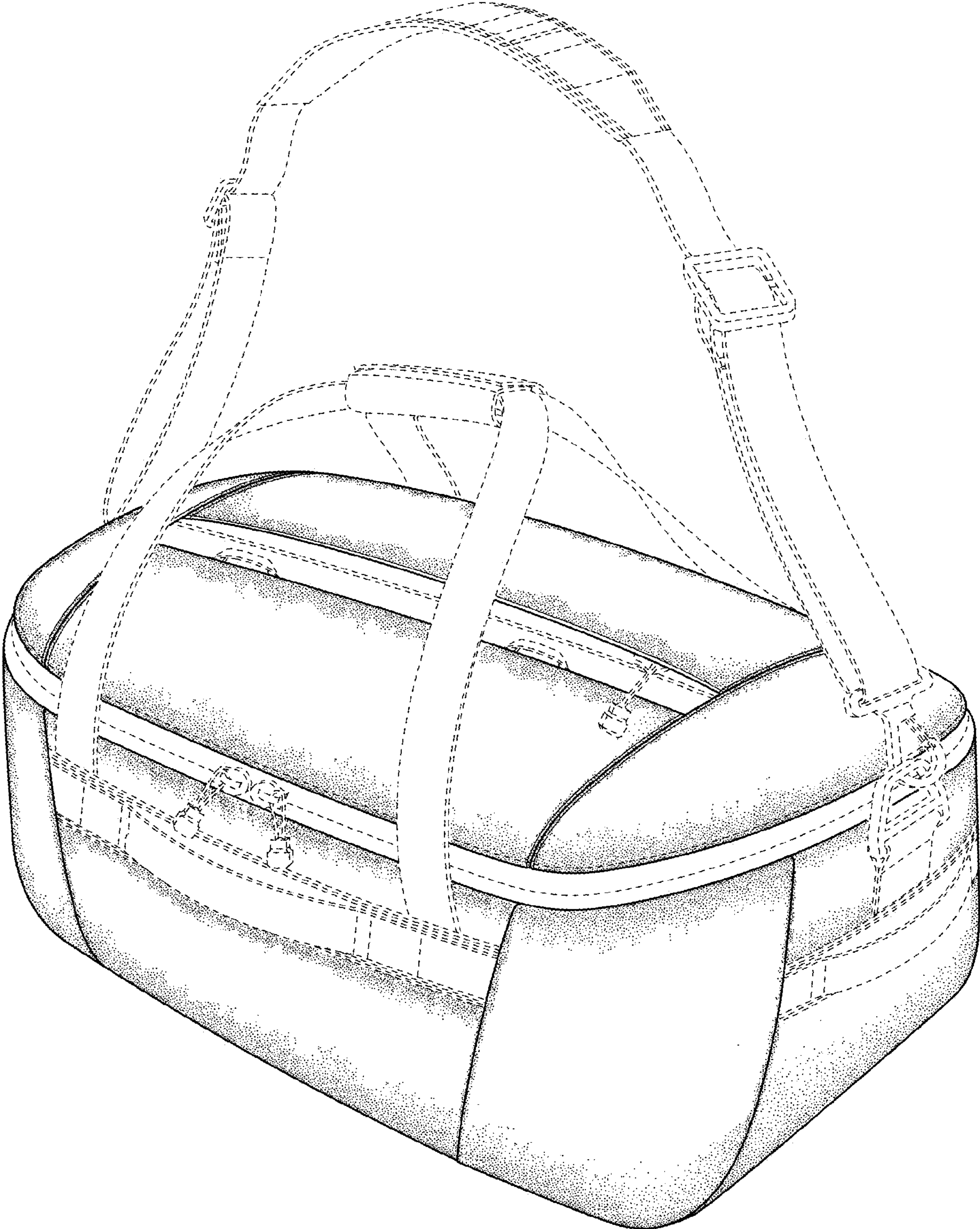


FIG. 1

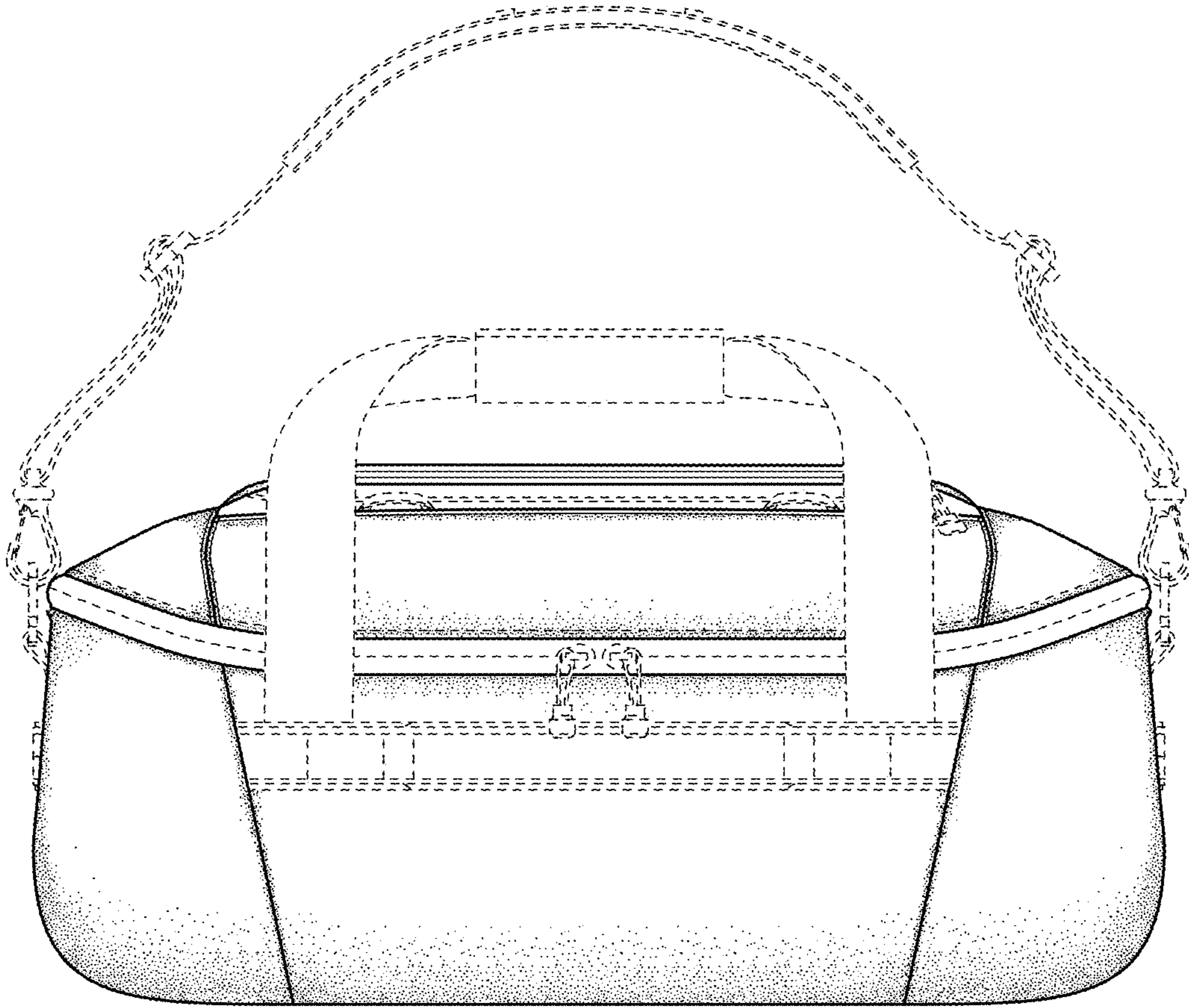


FIG. 2

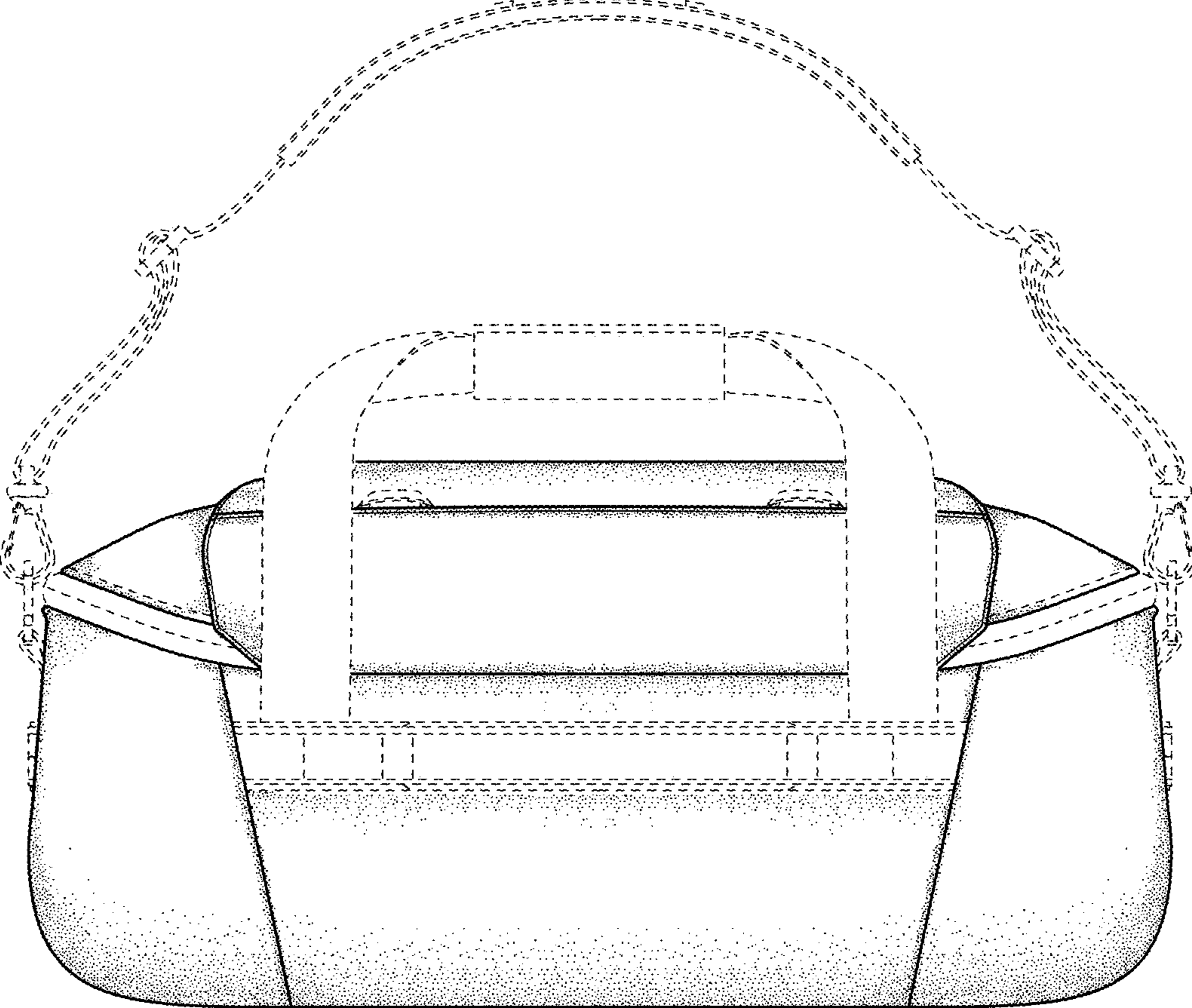


FIG. 3

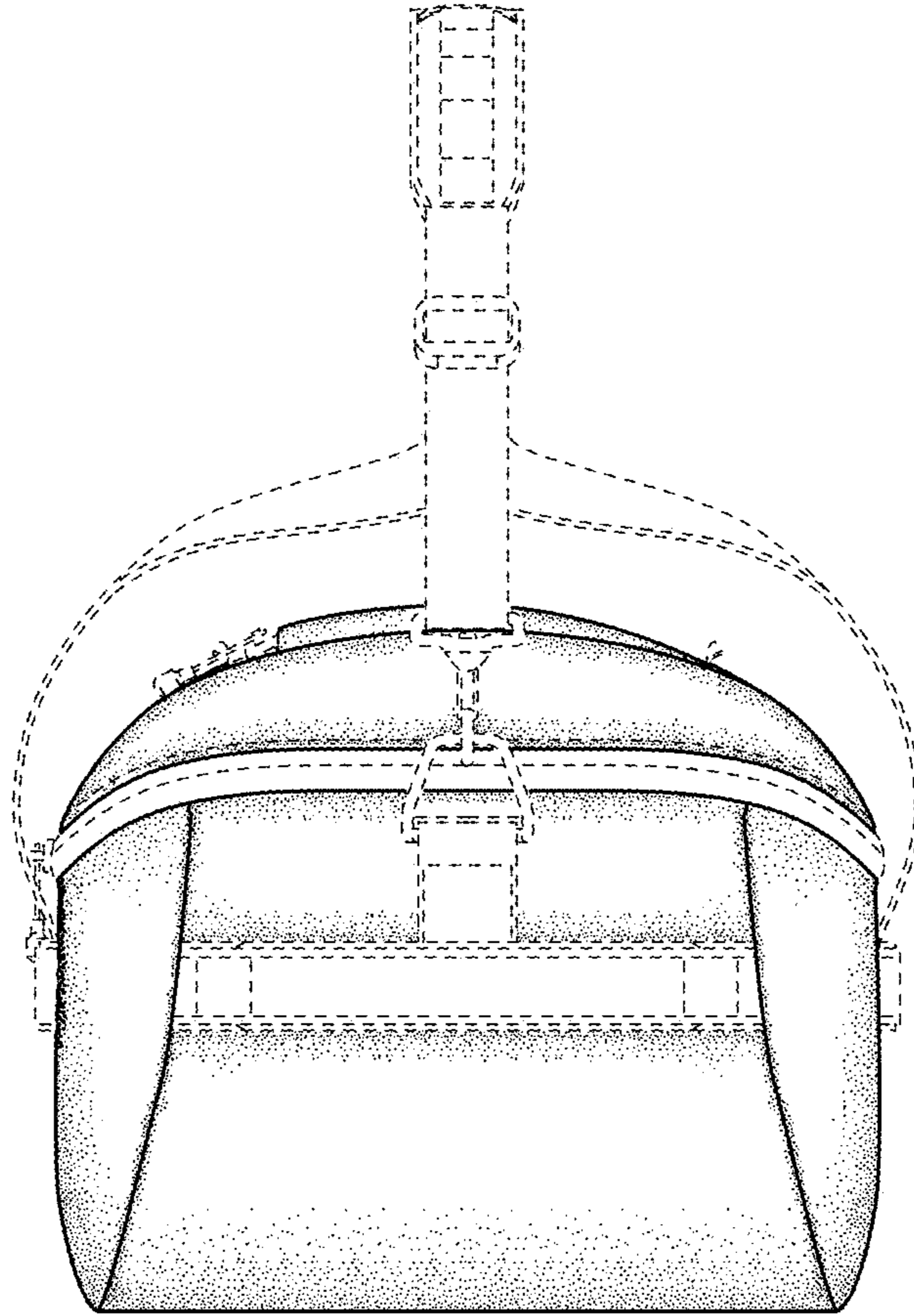


FIG. 4

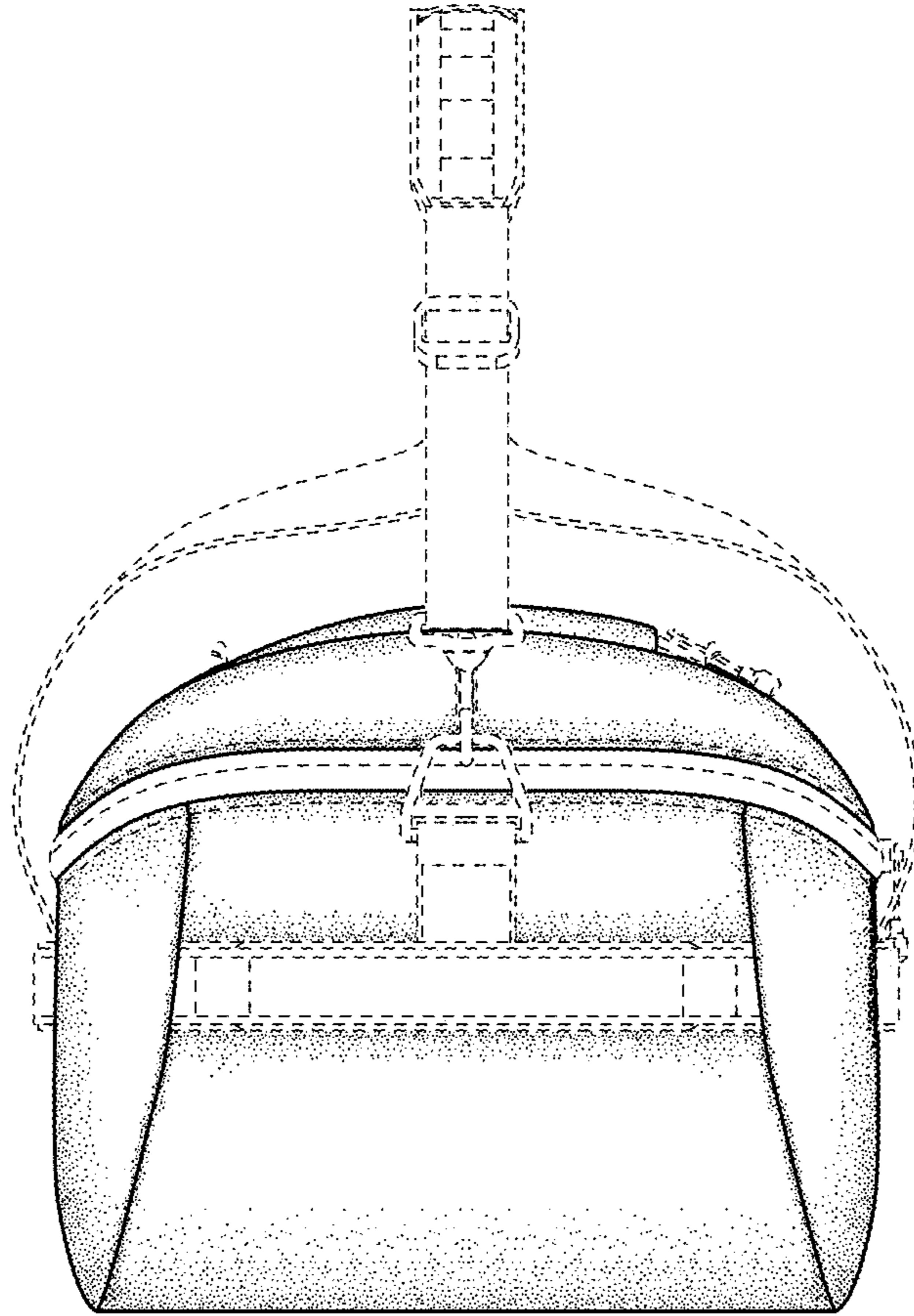


FIG. 5

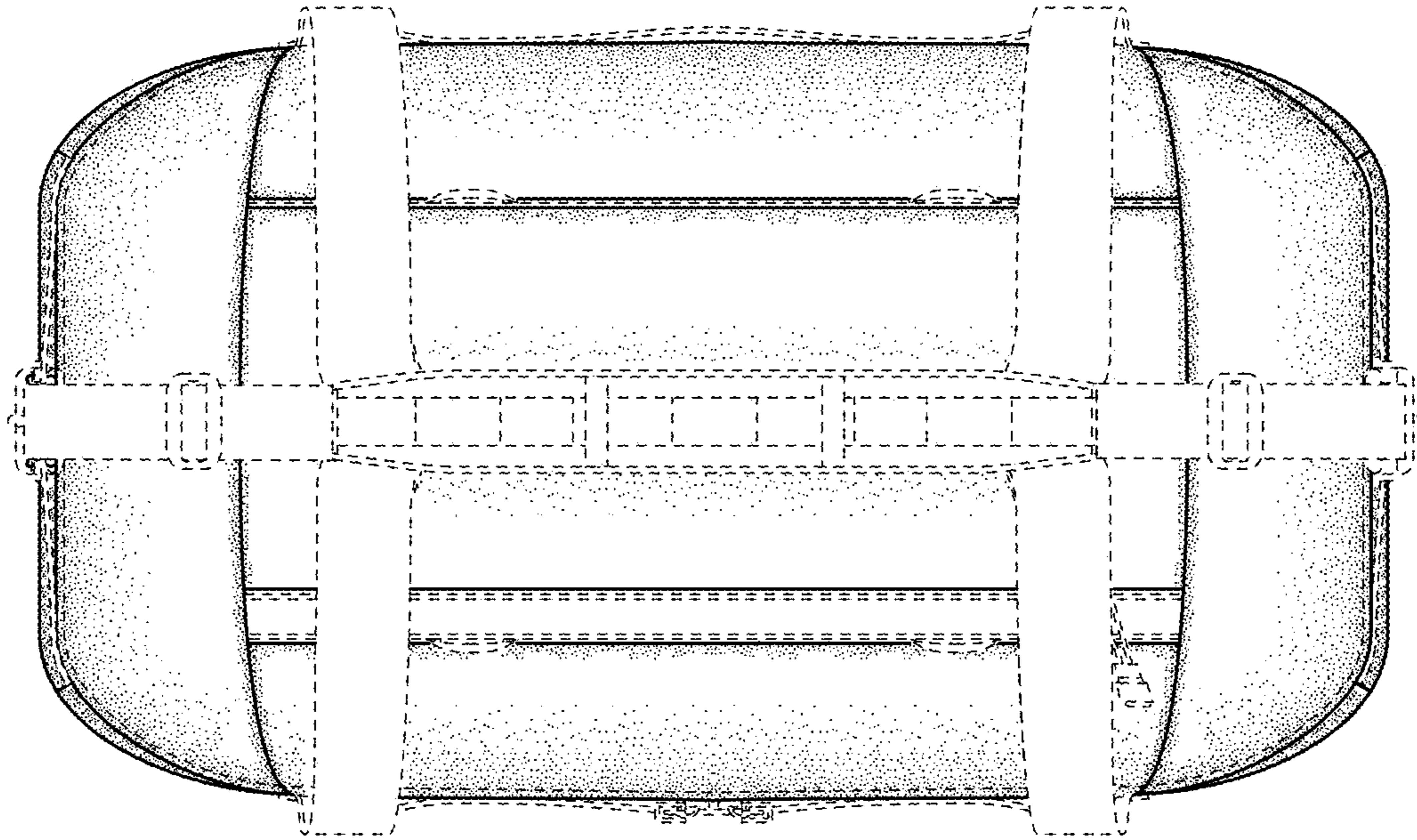


FIG. 6

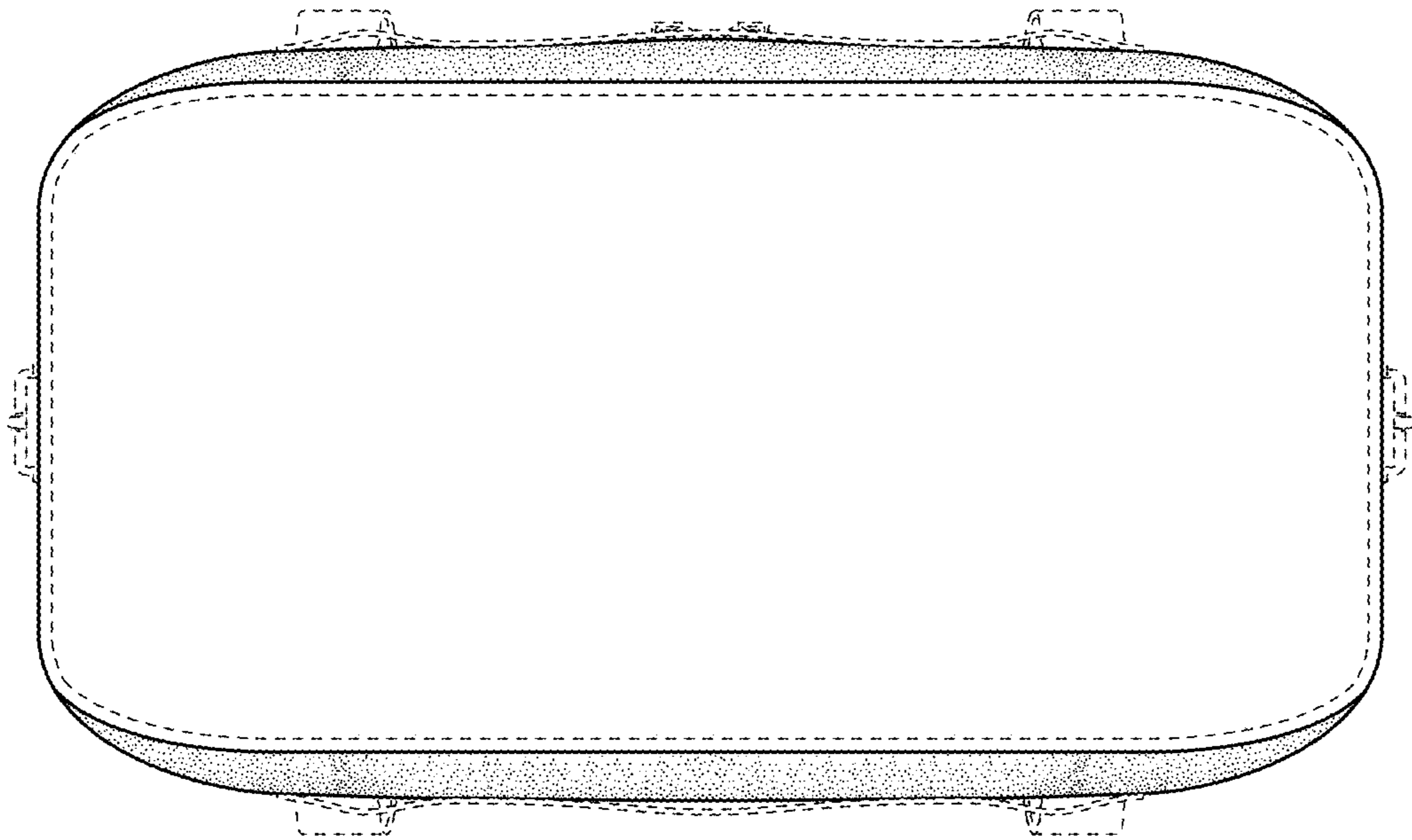


FIG. 7