



US00D965972S

(12) **United States Design Patent**
Kim

(10) **Patent No.:** **US D965,972 S**

(45) **Date of Patent:** **** Oct. 11, 2022**

(54) **STORAGE CONTAINER FOR CONTACT LENS**

(71) Applicant: **Da-Young Kim**, Daegu (KR)

(72) Inventor: **Da-Young Kim**, Daegu (KR)

(**) Term: **15 Years**

(21) Appl. No.: **29/732,894**

(22) Filed: **Apr. 28, 2020**

Related U.S. Application Data

(63) Continuation-in-part of application No. 29/692,681, filed on May 28, 2019, now Pat. No. Des. 912,981.

(51) **LOC (13) Cl.** **03-01**

(52) **U.S. Cl.**
USPC **D3/264**

(58) **Field of Classification Search**
USPC D3/207, 215, 219, 229, 263–266, 301;
D12/417; D16/330, 339; 24/3.3, 3.7,
24/3.8, 563; 206/5, 5.1, 6; 248/902;
351/112, 155; D9/432, 452, 454
CPC A45C 11/04; A45C 11/005; A47F 7/02;
A47F 7/021
See application file for complete search history.

(56) **References Cited**

U.S. PATENT DOCUMENTS

D59,596 S	11/1921	Hyatt	
D117,705 S	11/1939	Abrams	
2,586,740 A	2/1952	Swanson	
D173,295 S	10/1954	Wantz	
2,739,698 A	3/1956	Baratelli	
D188,393 S	7/1960	Fagan	
D204,641 S	5/1966	Bingham	
D213,907 S *	4/1969	Woofter	D3/207
D217,136 S	4/1970	Howard et al.	
D239,413 S *	3/1976	Hoogestegger	D3/264
D245,371 S	8/1977	Mowry	

D258,850 S 4/1981 Brentini
D263,119 S 2/1982 Oshita
4,324,121 A 4/1982 Richter
D266,649 S 10/1982 Plewes

(Continued)

Primary Examiner — T Chase Nelson

(74) *Attorney, Agent, or Firm* — Novick, Kim & Lee PLLC; Jae Youn Kim

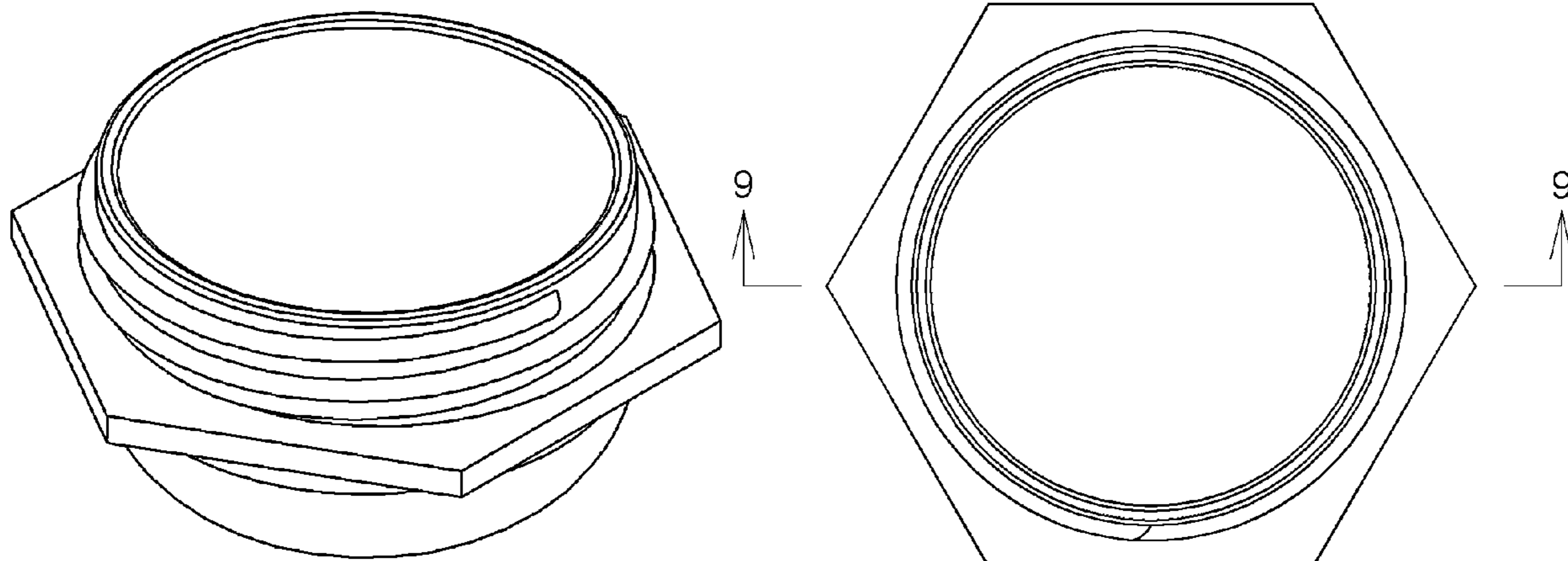
(57) **CLAIM**

I claim, the ornamental design for a storage container for contact lens, as shown and described.

DESCRIPTION

FIG. 1 is a top perspective view of a storage container for contact lens, showing my new design;
FIG. 2 is a front elevational view thereof;
FIG. 3 is a rear elevational view thereof;
FIG. 4 is a left side elevational view thereof;
FIG. 5 is a right side elevational view thereof;
FIG. 6 is a top plan view thereof;
FIG. 7 is a bottom plan view thereof;
FIG. 8 is a bottom perspective view thereof;
FIG. 9 is a sectional view thereof taken along line 9-9 of FIG. 6;
FIG. 10 is a reference view thereof showing a configuration of use covered by a packing wrap;
FIG. 11 is a reference view thereof showing another configuration of use covered by a cap; and
FIG. 12 is a reference view of the storage container for contact lens with the covering shown in FIG. 10 and with the storage container placed on a storage case; and,
FIG. 13 is a reference view of the storage container for contact lens with the covering shown in FIG. 11 and with the storage container placed on a storage case.
The broken lines in the drawings show environmental structure and multiplied storage containers, none of which form a part of the claimed design.

1 Claim, 6 Drawing Sheets



(56)

References Cited

U.S. PATENT DOCUMENTS

D267,652 S	1/1983	Thomas		D751,399 S	3/2016	Lynd et al.	
4,415,076 A	11/1983	Campbell		D755,516 S	5/2016	Krenkler	
4,444,307 A	4/1984	Jermyn		D756,117 S *	5/2016	Harris	B65D 73/0092
D285,744 S	9/1986	Vinot					D3/264
D286,465 S *	11/1986	Attwood	D3/211	D759,488 S	6/2016	Gibson	
4,653,711 A	3/1987	Marshell		D761,020 S *	7/2016	O'Hara	A45C 11/005
D289,922 S	5/1987	Jermyn					D3/264
D289,923 S	5/1987	Hoogesteger		D777,427 S *	1/2017	Squicciarini	A45C 11/005
4,697,697 A *	10/1987	Graham	A61F 2/1691				D3/264
			206/5.1	D778,594 S	2/2017	Sanders	
D317,527 S *	6/1991	Bonelli	D3/264	D784,694 S	4/2017	Priebe et al.	
5,277,324 A	1/1994	Cash		D796,952 S	9/2017	Katopis	
D358,477 S	5/1995	De Meo		D806,387 S *	1/2018	Tillmann	B29C 71/0009
D362,961 S *	10/1995	Abrams	D3/264				D3/264
D362,962 S *	10/1995	Abrams	D3/264	D811,740 S *	3/2018	Harrison	A61F 2/1691
D363,161 S *	10/1995	Abrams	D3/264				D3/264
D368,368 S *	4/1996	Merritt	D3/264	D818,309 S	5/2018	Gomez et al.	
D371,678 S	7/1996	Borghorst		D820,086 S	6/2018	Lynd et al.	
5,620,088 A	4/1997	Martin		D842,111 S	3/2019	Delia	
D381,259 S	7/1997	Hayes		D853,215 S	7/2019	Bellamy, Sr.	
D382,704 S *	8/1997	Petruzzi	D3/207	D860,637 S	9/2019	Sanders	
D385,414 S *	10/1997	Siu	D3/207	D866,334 S	11/2019	Wieland et al.	
5,695,049 A	12/1997	Bauman		D891,770 S	8/2020	Gagnon	
D388,603 S	1/1998	Fortune		D891,927 S	8/2020	Zhu	
D392,046 S	3/1998	Niedospial, Jr.		D892,493 S	8/2020	Carson	
6,071,112 A *	6/2000	Calvin	B29C 71/0009	D892,620 S	8/2020	Kaye et al.	
			425/445	D893,246 S	8/2020	Monaghan	
D429,153 S	8/2000	Gabriel		D897,676 S *	10/2020	McDonough	B65B 25/008
D435,961 S	1/2001	Weinstock					D3/264
D435,966 S	1/2001	Duis		D901,296 S *	11/2020	Moore	D9/453
D441,284 S	5/2001	Saur		D908,354 S *	1/2021	Kim	D3/264
6,244,430 B1	6/2001	Travis		D908,355 S *	1/2021	Kim	D3/264
6,435,339 B1	8/2002	Kroupa		D912,981 S *	3/2021	Kim	D3/264
D463,104 S *	9/2002	Ames	D3/207	D912,982 S *	3/2021	Kim	D3/264
D471,357 S	3/2003	Hoppe		D913,692 S *	3/2021	Kim	D3/264
D488,020 S *	4/2004	Fung	D3/270	11,071,644 B2 *	7/2021	Greenwood	B65D 85/00
D491,364 S *	6/2004	Vish	D3/218	2002/0020634 A1	2/2002	Fortune	
D498,590 S *	11/2004	Borovsky	D3/264	2004/0140229 A1	7/2004	Borovsky	
D500,589 S	1/2005	Schmitz		2004/0238380 A1 *	12/2004	Newman	A45C 11/046
6,837,472 B1	1/2005	Beutz					206/5.1
D511,893 S	11/2005	Chou et al.		2006/0011496 A1	1/2006	Mangabeira Nunez	
D512,217 S	12/2005	Chou et al.		2006/0219577 A1	10/2006	Newman	
D512,565 S *	12/2005	Sasso	D3/264	2006/0237335 A1	10/2006	Py et al.	
D519,372 S	4/2006	Hsieh		2007/0000792 A1	1/2007	Newman et al.	
7,086,526 B2	8/2006	Newman		2007/0170075 A1	7/2007	Winters et al.	
D534,076 S	12/2006	Green		2009/0057167 A1	3/2009	Rathert	
D540,173 S	4/2007	Obuchi		2010/0122917 A1	5/2010	Azera	
D543,103 S	5/2007	Roche et al.		2011/0017243 A1 *	1/2011	Voss	A45C 11/005
D551,448 S	9/2007	Stull					206/5.1
D554,367 S *	11/2007	Chou	D3/264	2011/0073497 A1	3/2011	Kanner et al.	
D560,120 S	1/2008	Maravich et al.		2011/0198243 A1 *	8/2011	Mori	A45C 11/005
D566,388 S *	4/2008	Nevins	D3/264				206/5.1
D570,113 S *	6/2008	Maraia	D3/264	2011/0290675 A1 *	12/2011	Shiue	B65D 73/0092
D571,555 S *	6/2008	Maraia	D3/264				206/5
D575,955 S *	9/2008	Maraia	D3/264	2011/0303562 A1	12/2011	Franklin	
D584,043 S	1/2009	Baskett		2012/0152284 A1 *	6/2012	Winterton	A45C 11/005
D616,198 S	5/2010	Liu et al.					134/18
D626,409 S	11/2010	Hooley		2012/0193245 A1	8/2012	Wright	
D652,310 S	1/2012	Hartford		2012/0267262 A1 *	10/2012	Wang	A45C 11/005
D659,003 S	5/2012	Knox					206/5.1
D682,042 S	5/2013	Sanders		2013/0180212 A1 *	7/2013	Wang	B65B 25/008
D684,015 S	6/2013	Sanders					53/413
D688,530 S	8/2013	Sanders		2013/0220840 A1	8/2013	Priebe et al.	
D689,618 S *	9/2013	Valderrama	D3/264	2014/0001059 A1 *	1/2014	Hsieh	A45C 11/046
D690,561 S	10/2013	Sanders					206/5.1
8,596,782 B2	12/2013	Matsuzawa et al.		2014/0246337 A1 *	9/2014	Newman	A45C 11/005
D704,440 S	5/2014	Kroupa					53/467
D714,051 S *	9/2014	Priebe	A45C 11/046	2014/0262844 A1	9/2014	Barre et al.	
			D3/264	2015/0114851 A1 *	4/2015	English	A45C 11/046
D714,052 S	9/2014	Priebe et al.					53/431
D720,532 S *	1/2015	Priebe	A45C 11/005	2015/0129437 A1 *	5/2015	Clamp	B65D 81/22
			D3/264				53/445
D723,274 S *	3/2015	Almanaseer	A45C 11/046	2017/0065045 A1	3/2017	Lin	
			D3/264	2017/0165901 A1	6/2017	Fischer et al.	
			D3/264	2019/0046353 A1	2/2019	Greenwood et al.	
			D3/264	2019/0059543 A1 *	2/2019	Gagnon	A45C 11/005

(56)

References Cited

U.S. PATENT DOCUMENTS

2019/0281936 A1 9/2019 Lamrani et al.
2020/0229561 A1* 7/2020 Almond B65D 75/326
2021/0127806 A1* 5/2021 Dalichau A45C 11/005

* cited by examiner

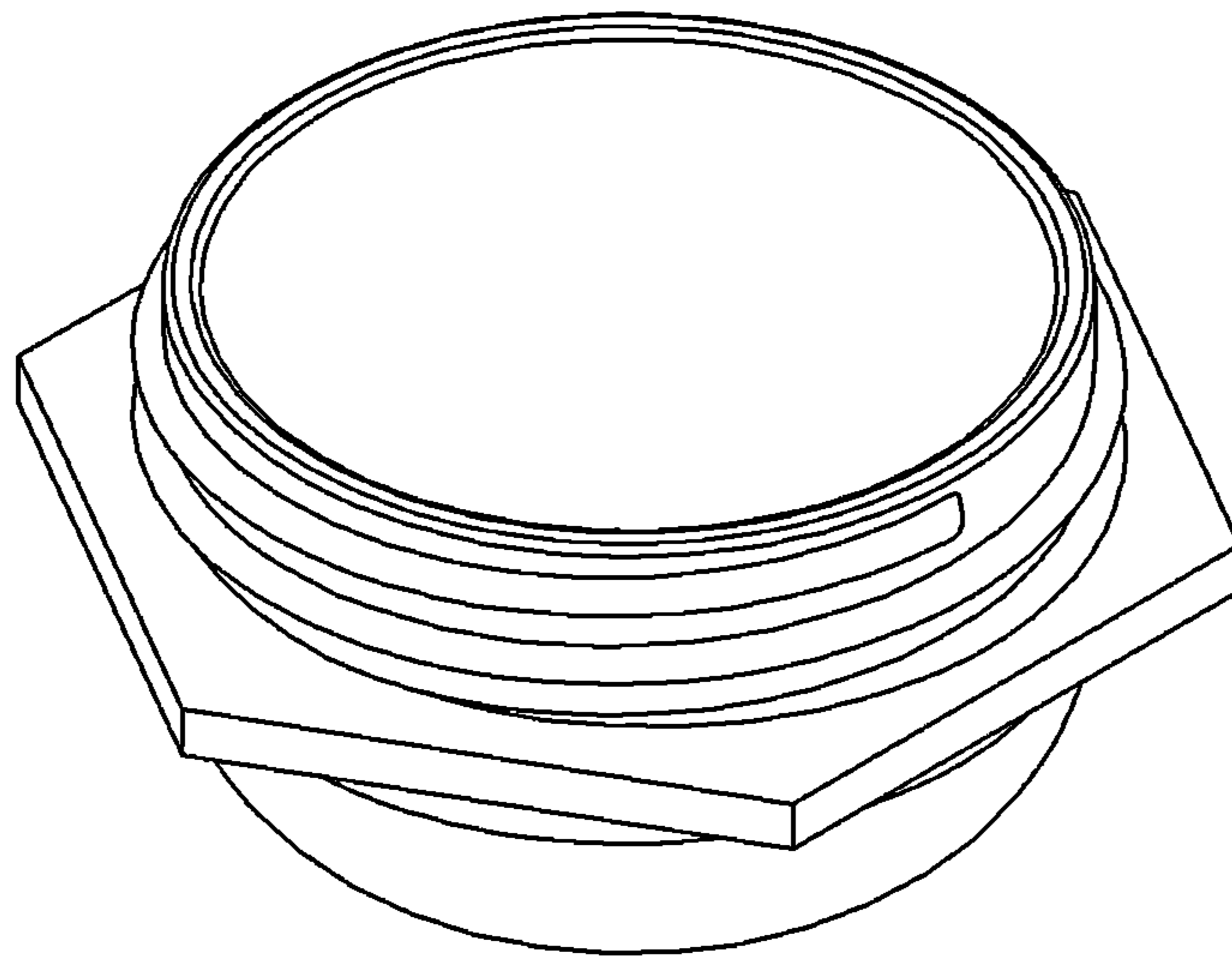


FIG. 1

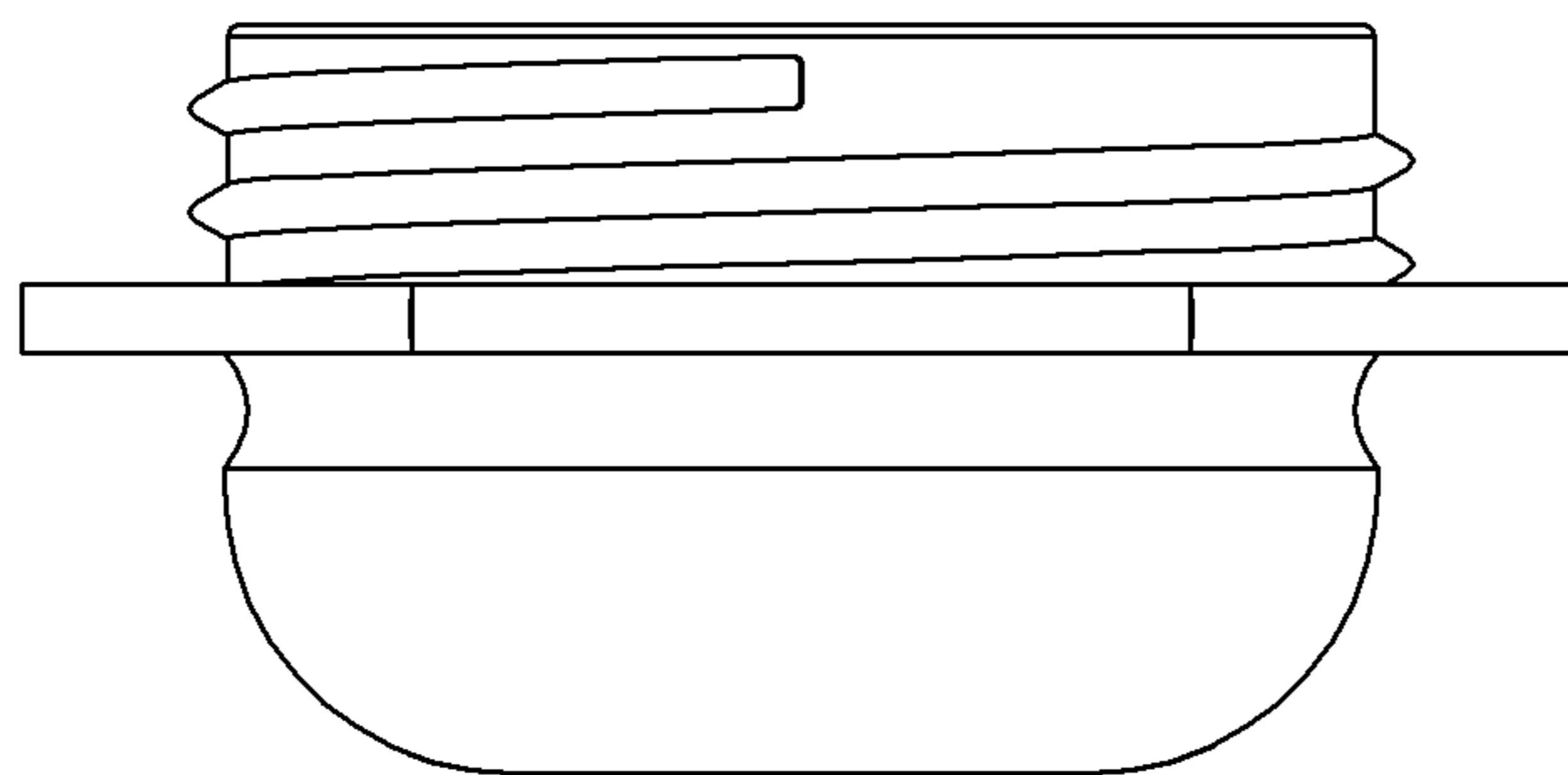


FIG. 2

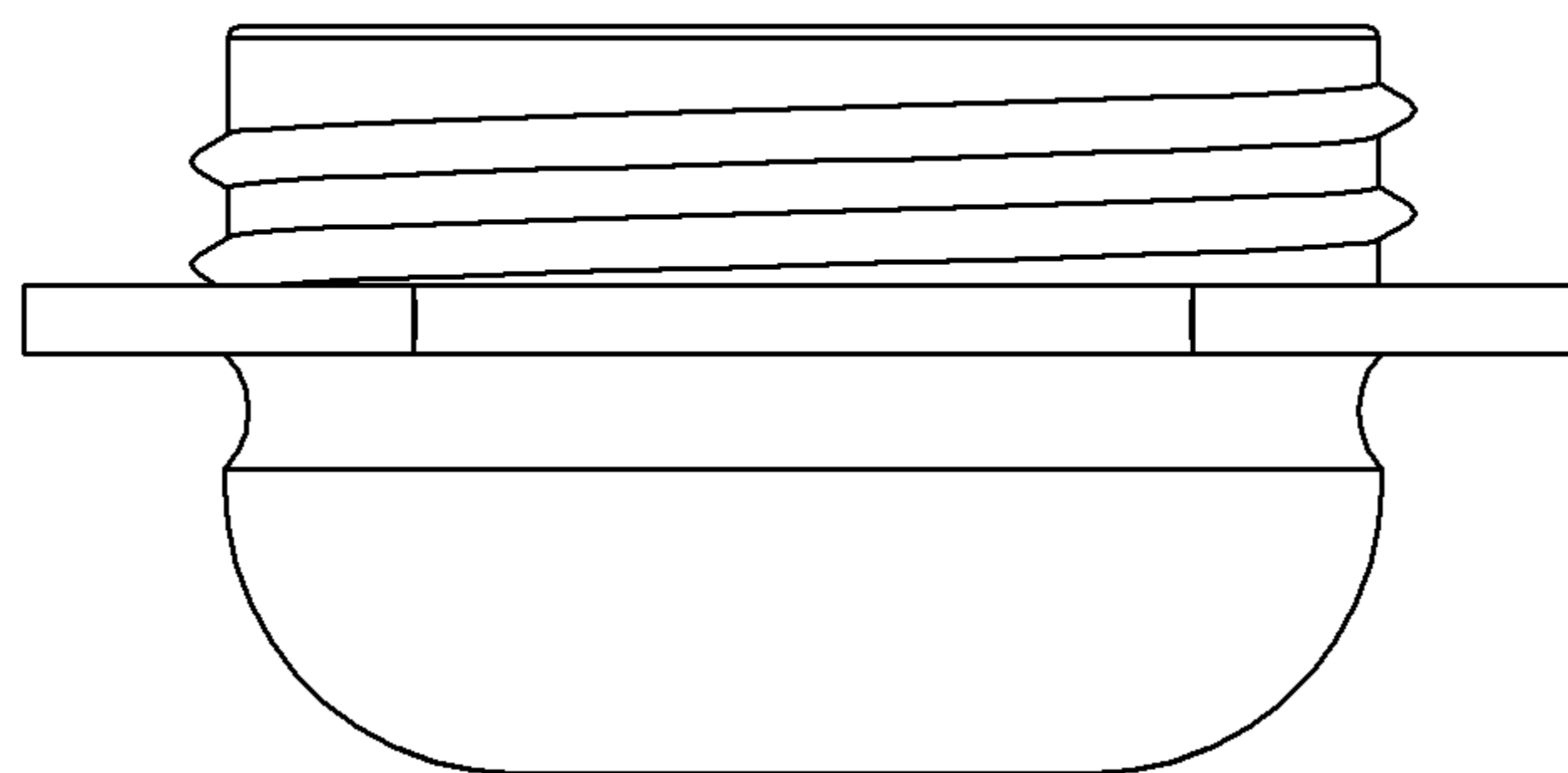


FIG. 3

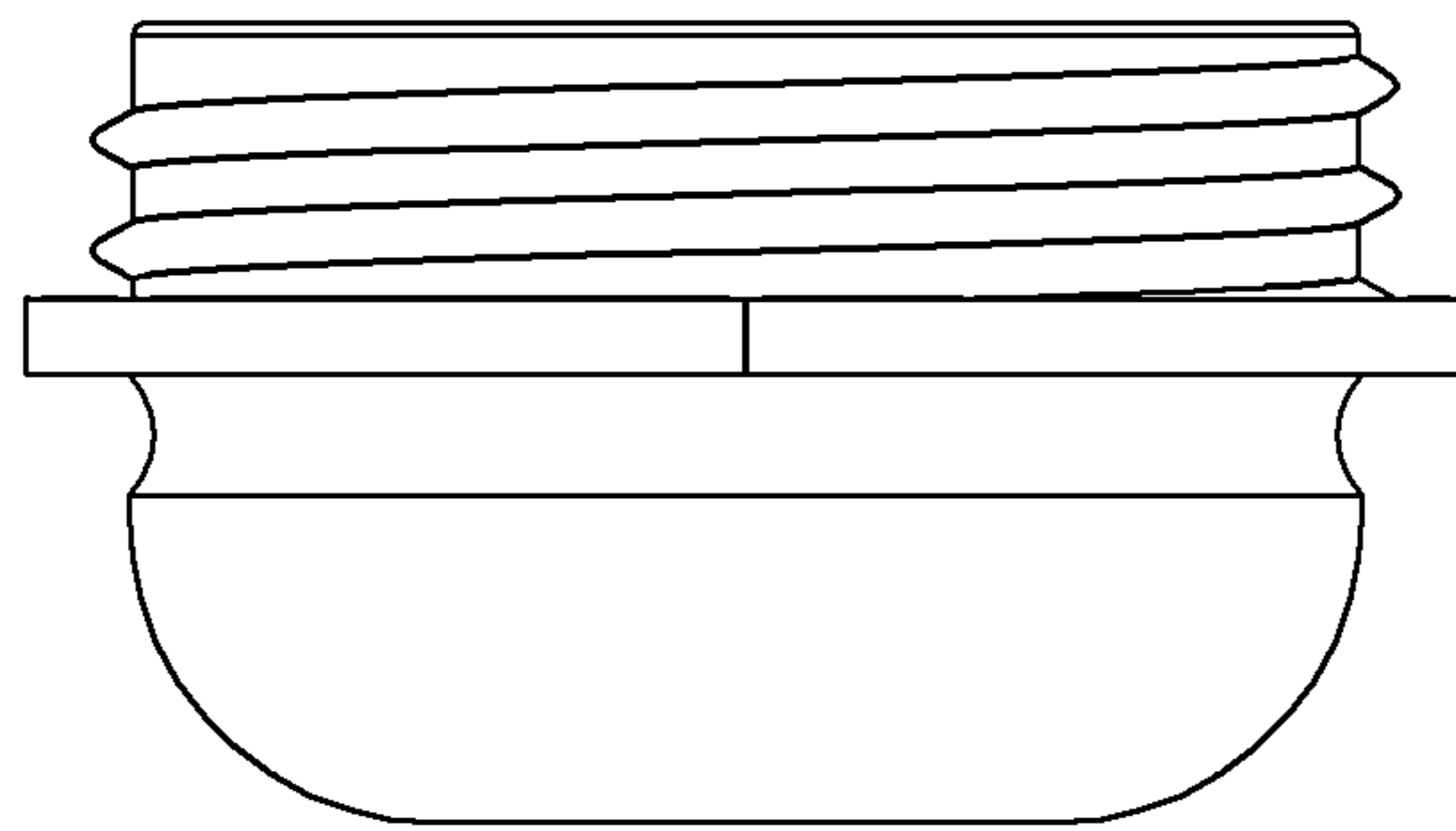


FIG. 4

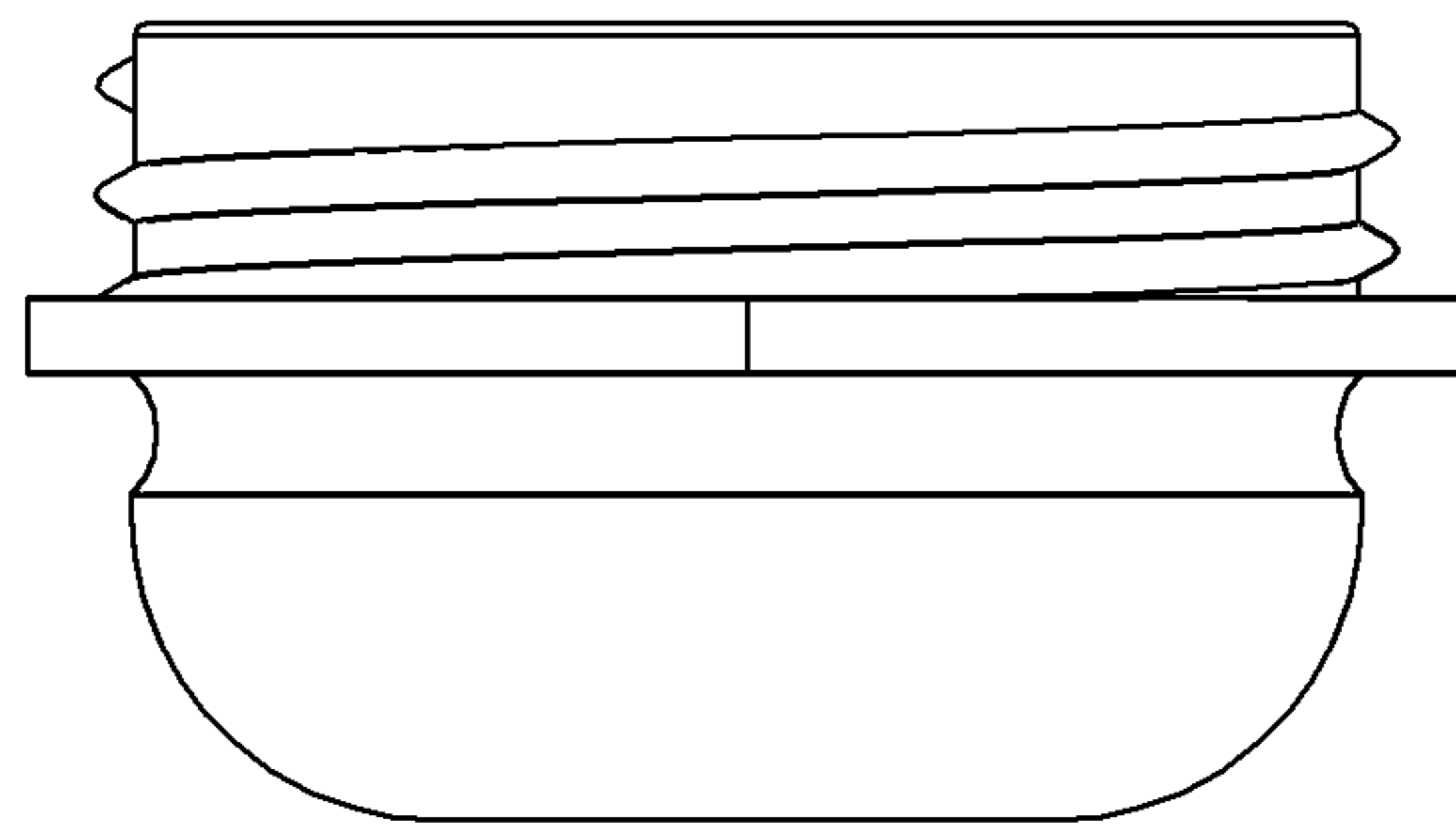


FIG. 5

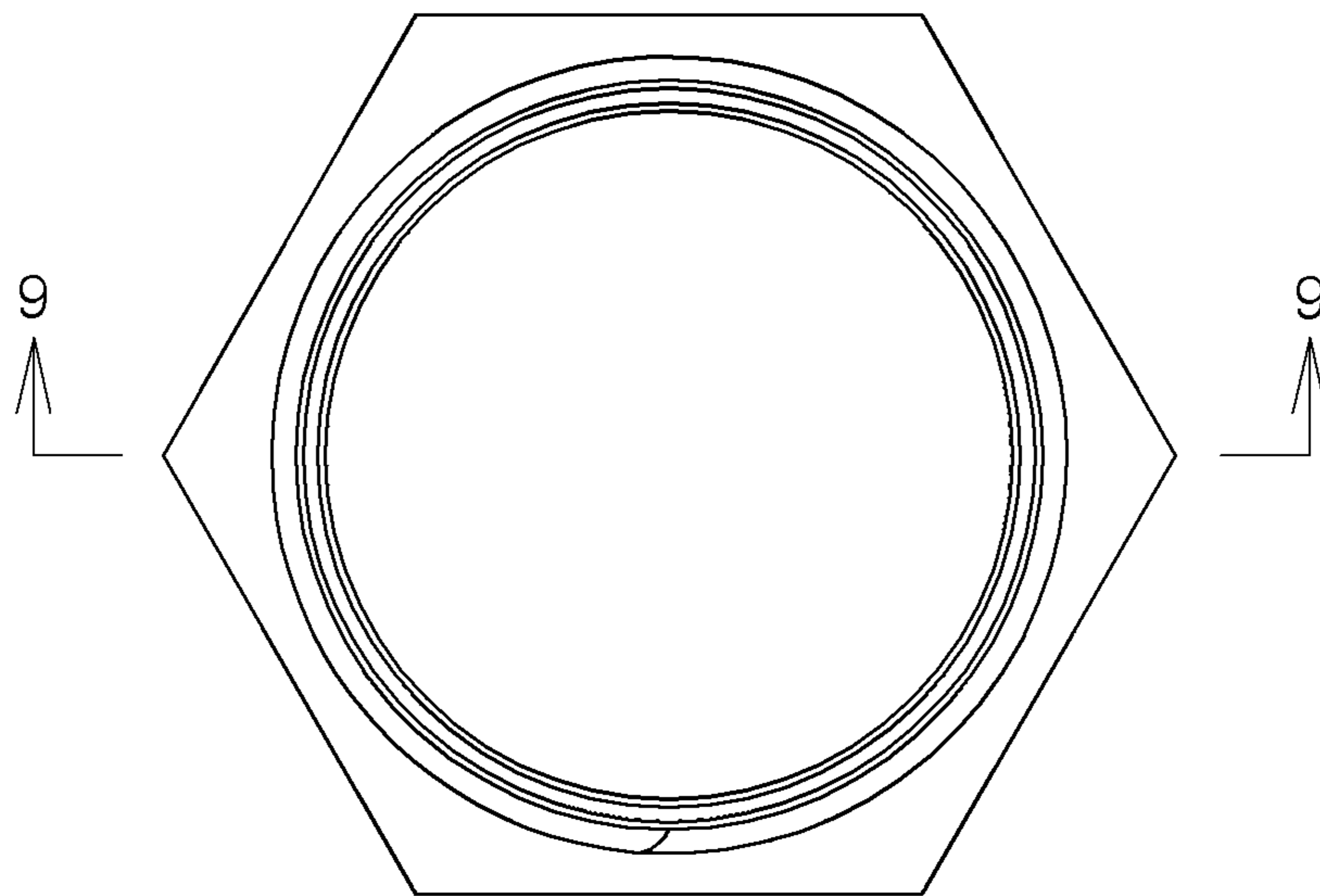


FIG. 6

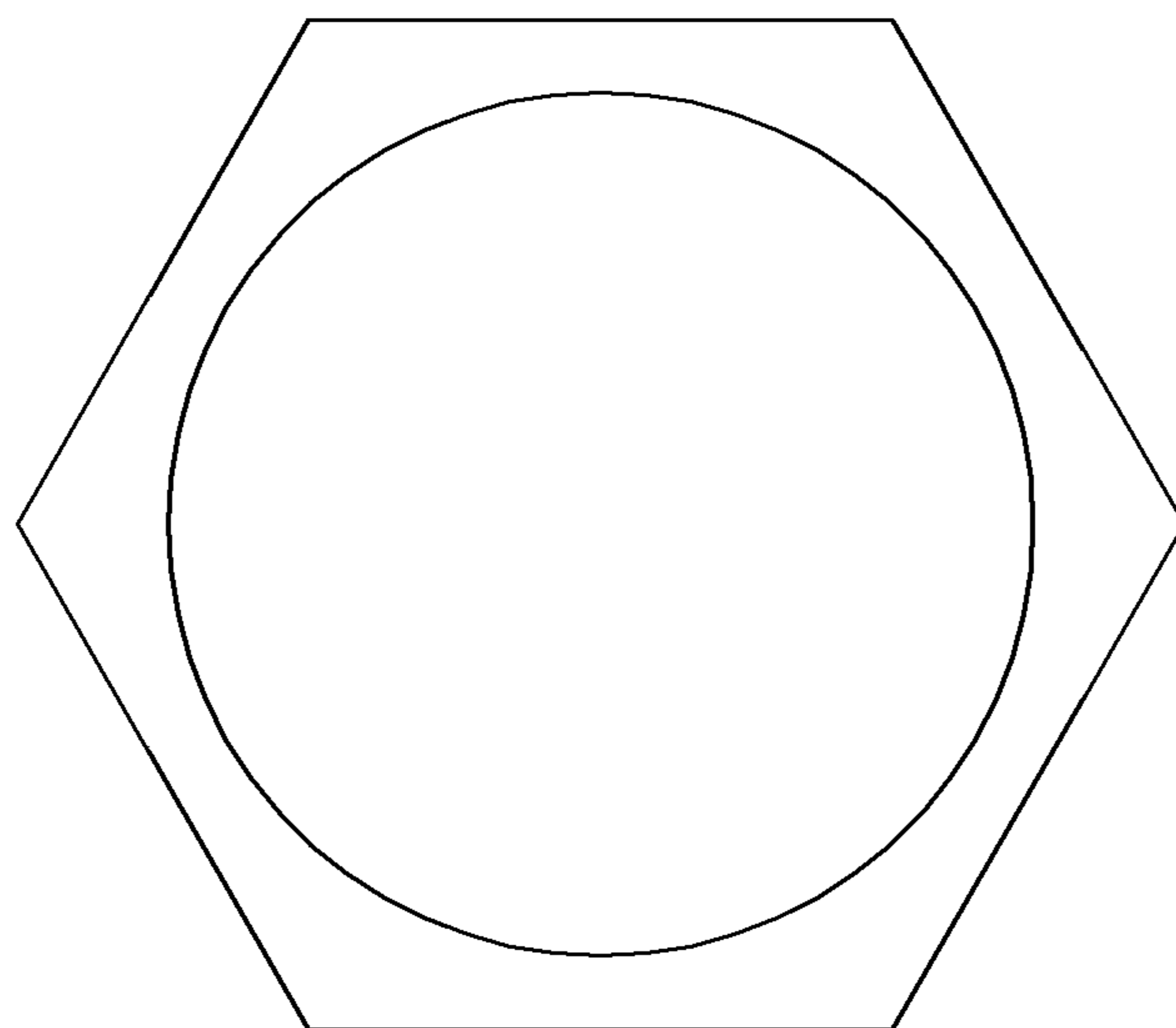


FIG. 7

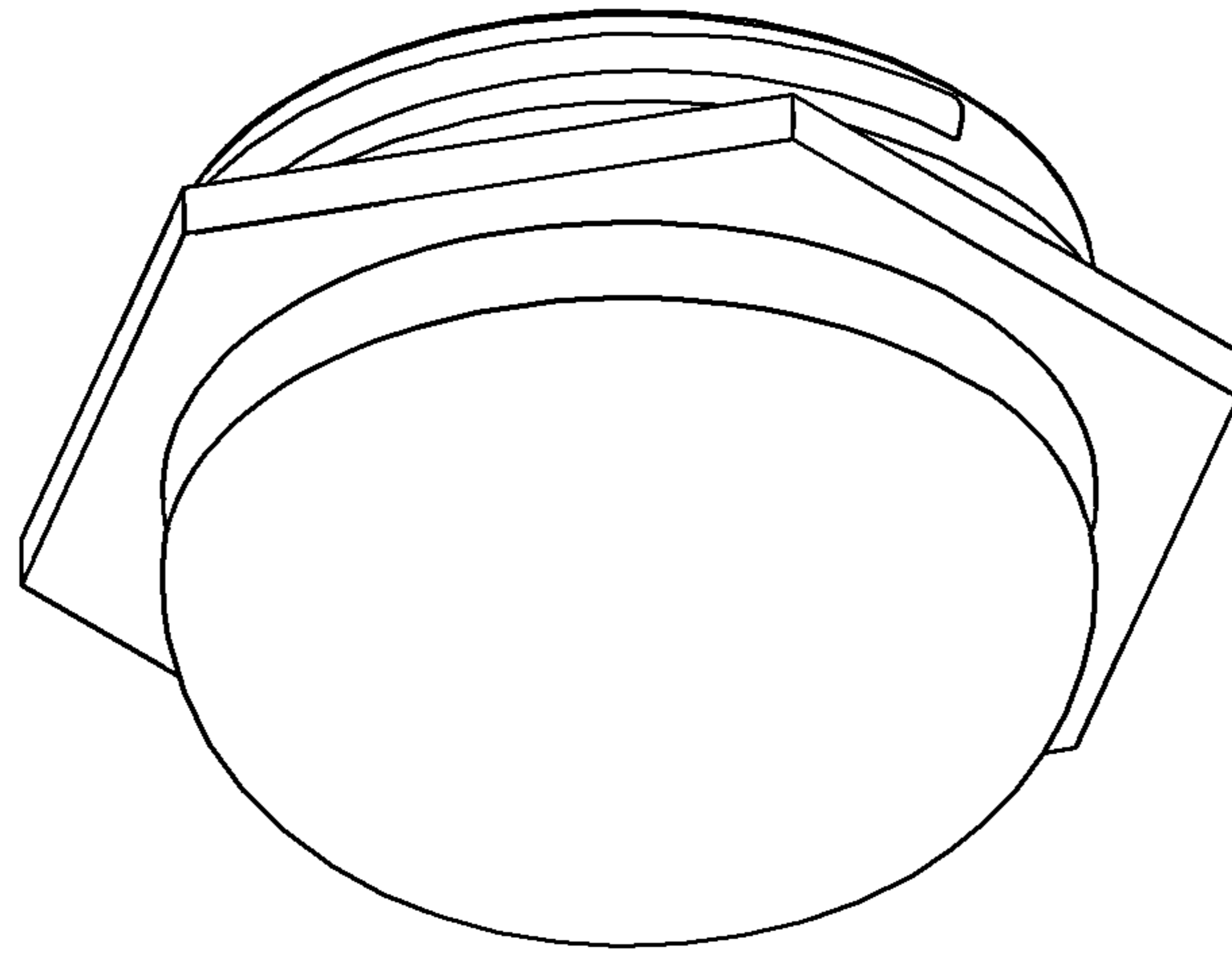


FIG. 8

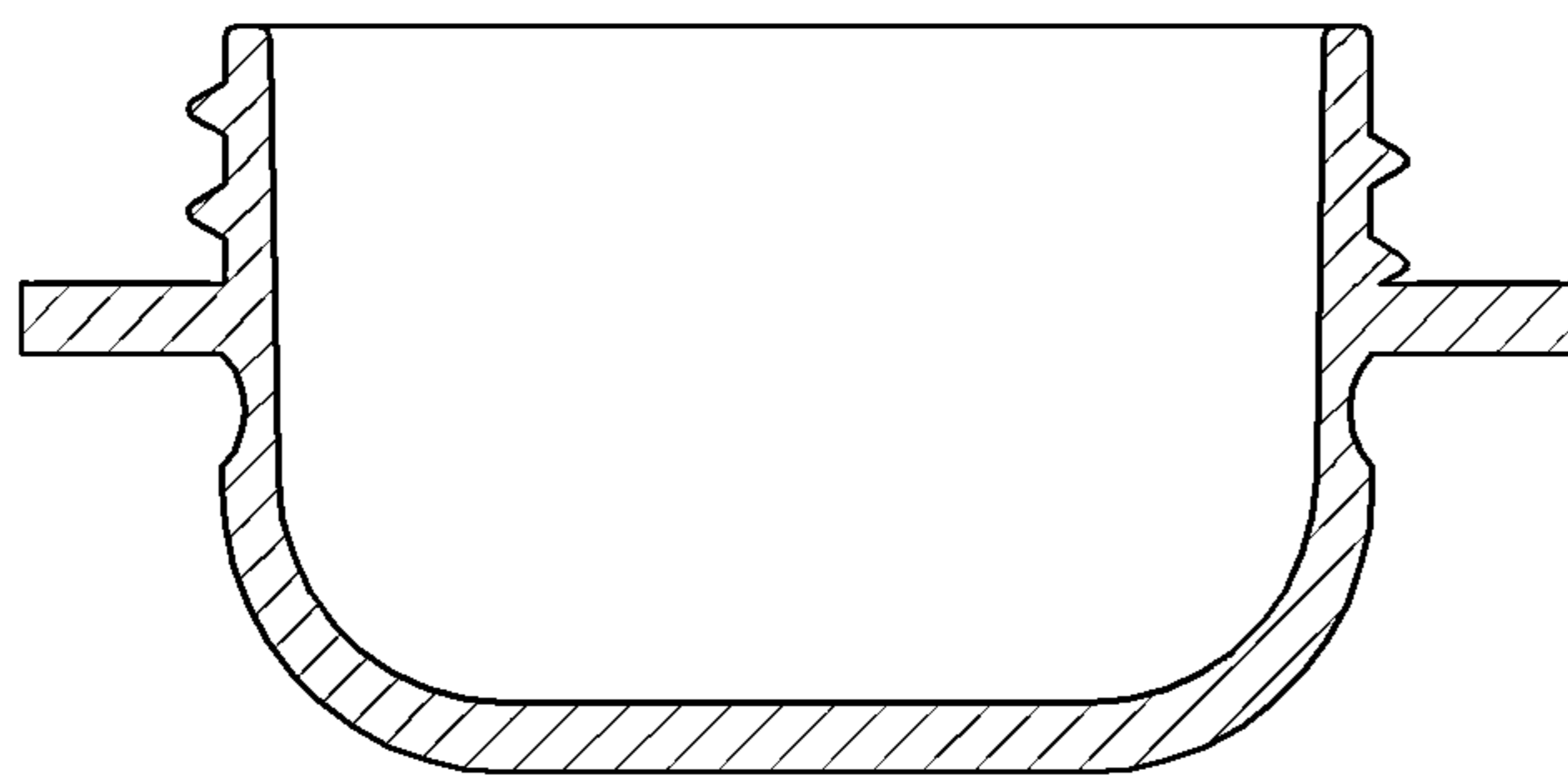


FIG. 9

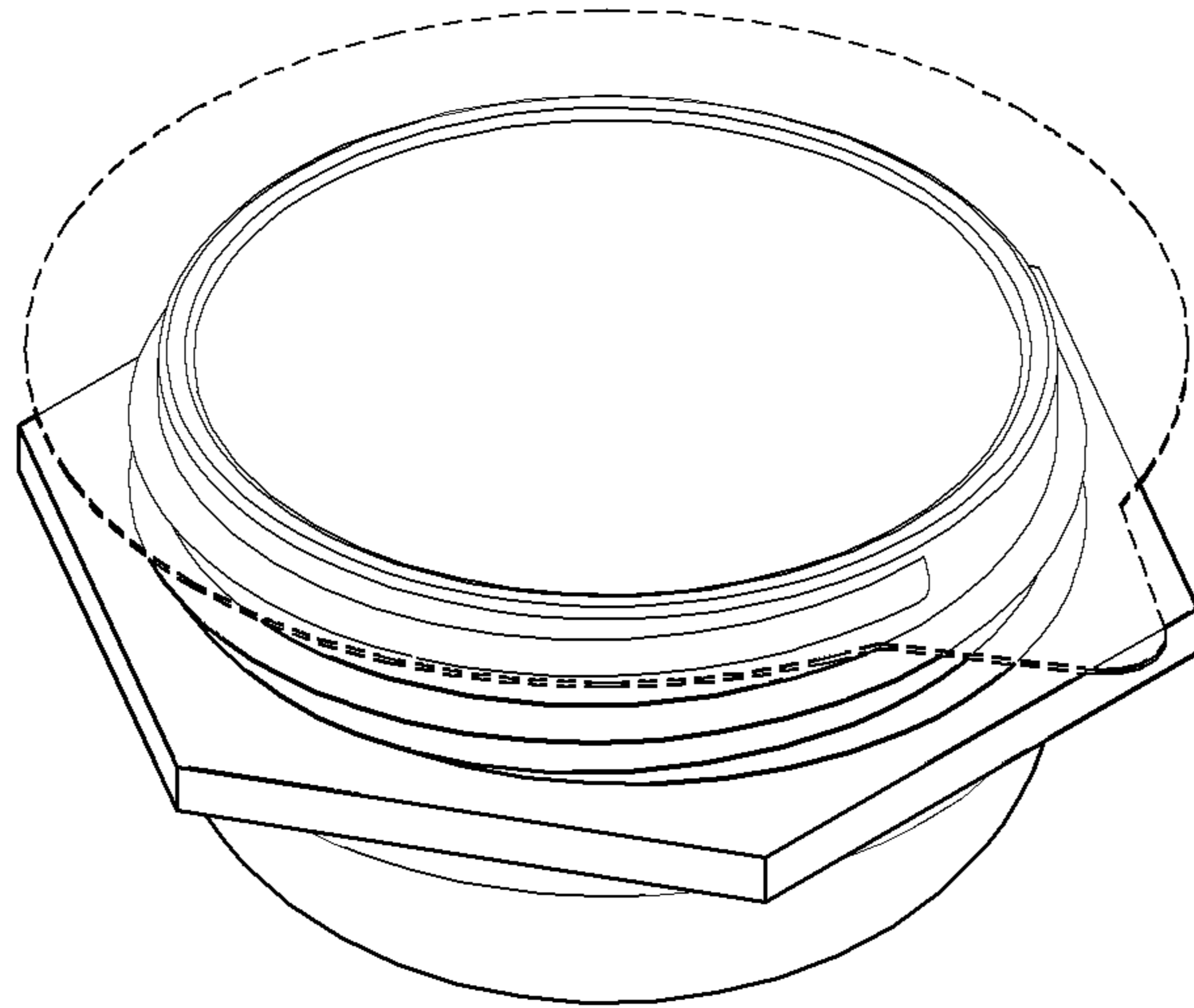


FIG. 10

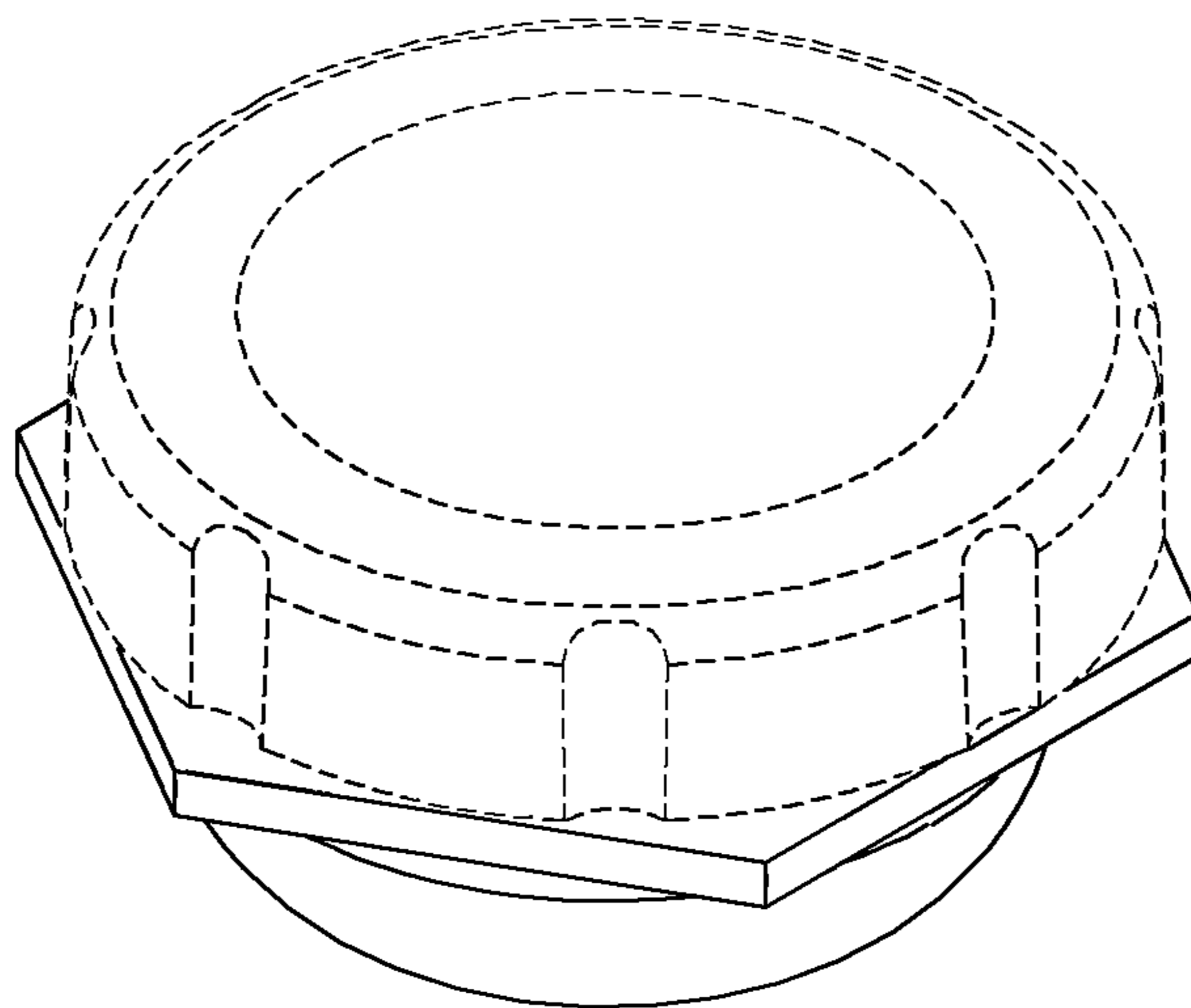


FIG. 11

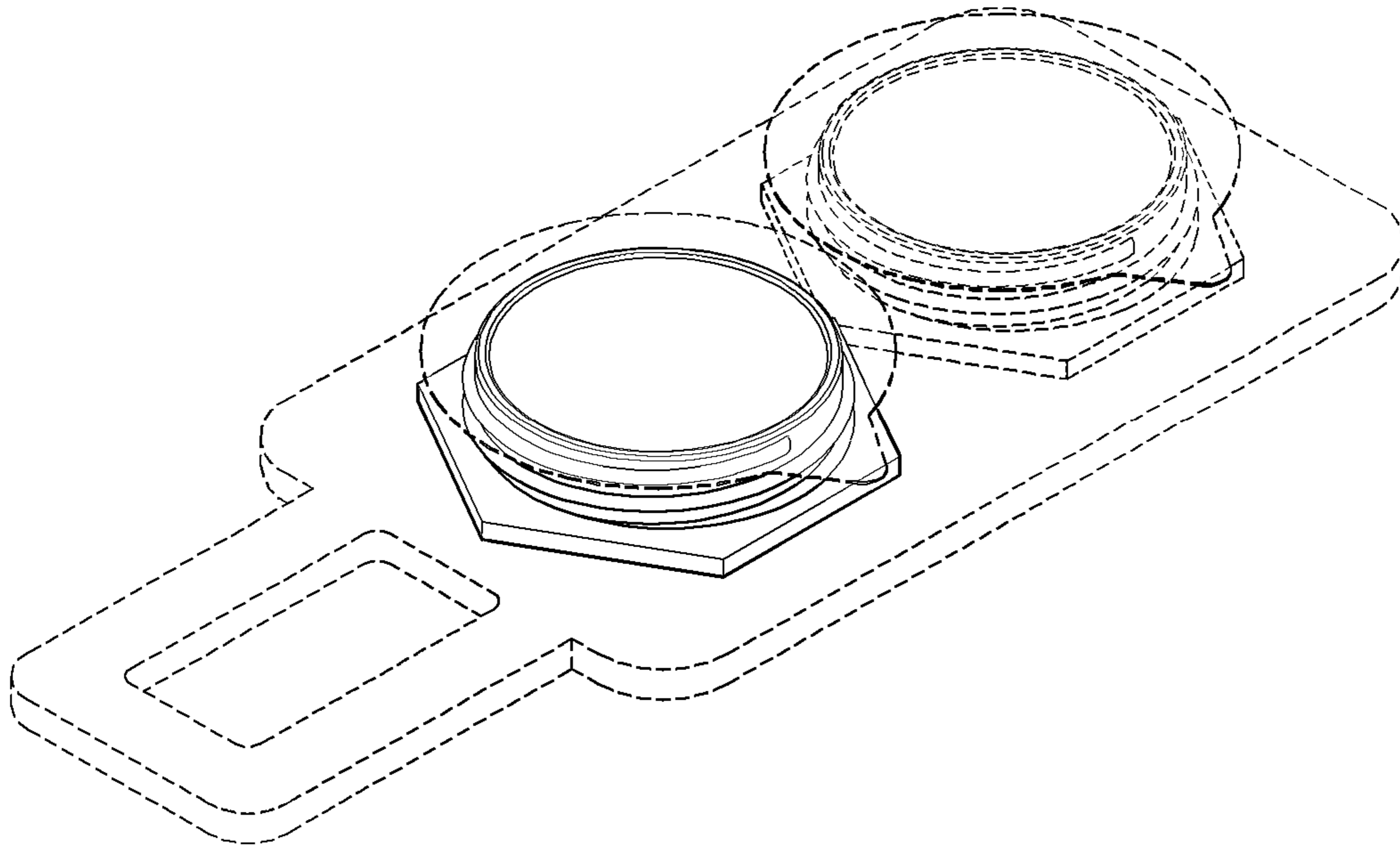


FIG. 12

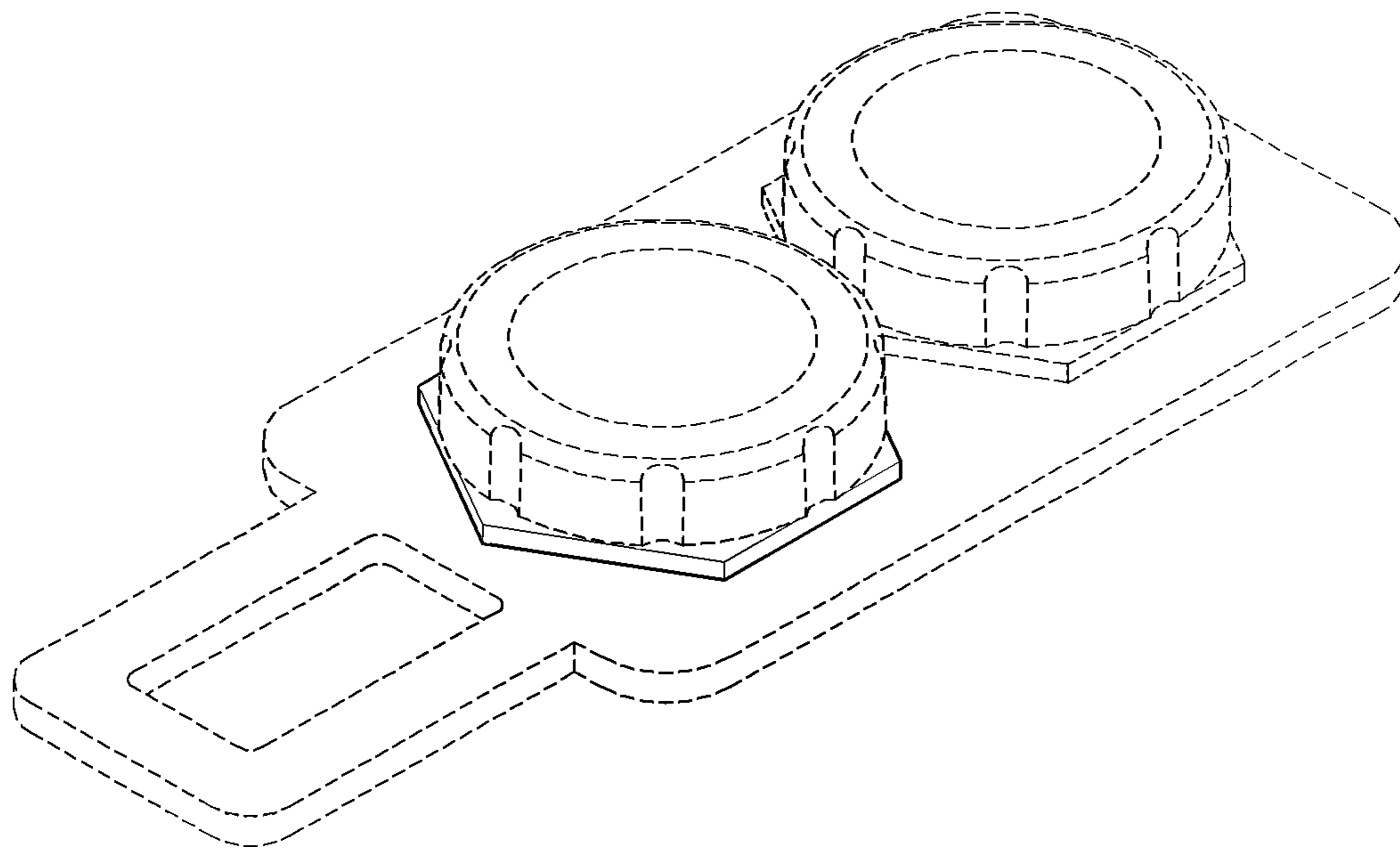


FIG. 13