



US00D965969S

(12) **United States Design Patent** (10) **Patent No.:** **US D965,969 S**
Coolens (45) **Date of Patent:** **** Oct. 11, 2022**

(54) **BACKPACK**
(71) Applicant: **RIMOWA GmbH**, Cologne (DE)
(72) Inventor: **Kasper Coolens**, Ghent (BE)
(73) Assignee: **RIMOWA GmbH**, Cologne (DE)
(**) Term: **15 Years**
(21) Appl. No.: **35/512,725**
(22) Filed: **May 12, 2021**

D543,021 S * 5/2007 Lee D3/217
D545,057 S * 6/2007 Cyr D3/217
D563,101 S * 3/2008 Kuchler D3/279
7,398,868 B2 * 7/2008 Morszeck A45C 5/14
190/110
D659,395 S * 5/2012 Sijmons D3/279
D709,696 S * 7/2014 Wu D3/279
D714,541 S * 10/2014 Anderson D3/217
D722,771 S * 2/2015 Wu D3/289
D742,631 S * 11/2015 Kim D3/217
10,058,151 B2 * 8/2018 Morszeck B32B 9/04
D833,141 S * 11/2018 Carter D3/217
D856,662 S * 8/2019 Breines D3/217
D881,555 S * 4/2020 Iezdin D3/217
D888,413 S * 6/2020 Dai D3/217
D889,821 S * 7/2020 Xu D3/217
D920,669 S * 6/2021 Tu D3/279

(80) **Hague Agreement Data**
Int. Filing Date: **May 12, 2021**
Int. Reg. No.: **DM/216682**
Int. Reg. Date: **May 12, 2021**
Int. Reg. Pub. Date: **Oct. 15, 2021**

* cited by examiner

Primary Examiner — Jennifer L Watkins
(74) *Attorney, Agent, or Firm* — Stetina Brunda Garred & Brucker

(30) **Foreign Application Priority Data**
Nov. 17, 2020 (EM) 008274021-0001
(51) **LOC (13) Cl.** **03-01**
(52) **U.S. Cl.**
USPC **D3/217; D3/283**
(58) **Field of Classification Search**
USPC D3/216, 217, 283, 279, 321
See application file for complete search history.

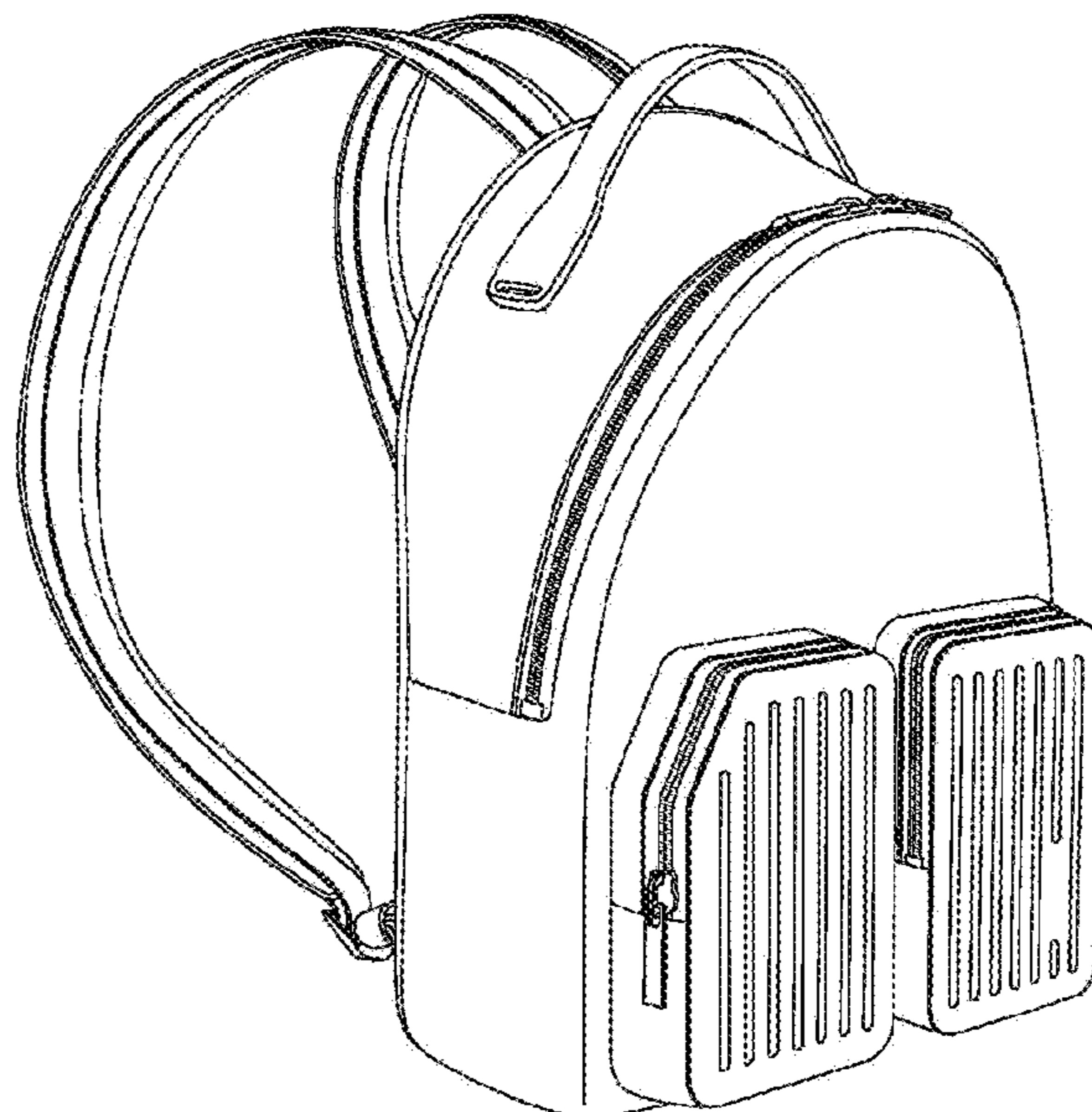
(57) **CLAIM**
The ornamental design for a backpack, as shown and described.

(56) **References Cited**
U.S. PATENT DOCUMENTS
D256,630 S * 9/1980 Maney D3/217
5,749,503 A * 5/1998 Wulf A45C 7/0086
224/652
D420,792 S * 2/2000 Sakelliou D3/217
D446,008 S * 8/2001 Schulze D3/217
D500,590 S * 1/2005 Sachen D3/216
D511,620 S * 11/2005 Van Himbeeck D3/217

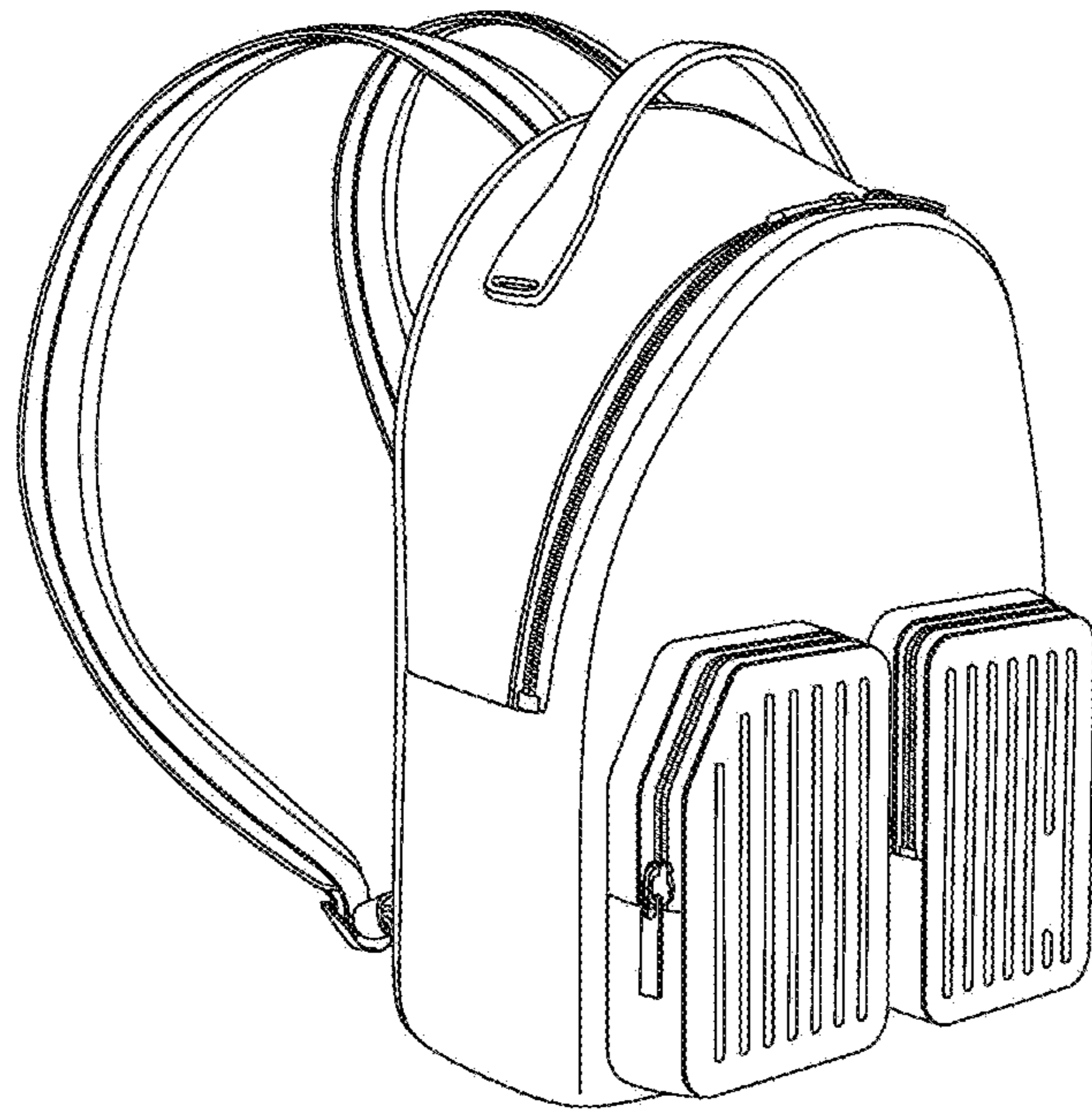
DESCRIPTION

1. Backpack
1.1 : Perspective
1.2 : Front
1.3 : Back
1.4 : Right
1.5 : Left
1.6 : Top
1.7 : Bottom
Fig. 1.1 is a perspective view of the design; fig. 1.2 is a front view thereof; fig. 1.3 is a back view thereof; fig. 1.4 is a right side view thereof; fig. 1.5 is a left side view thereof; fig. 1.6 is a top view thereof; and fig. 1.7 is a bottom view thereof.

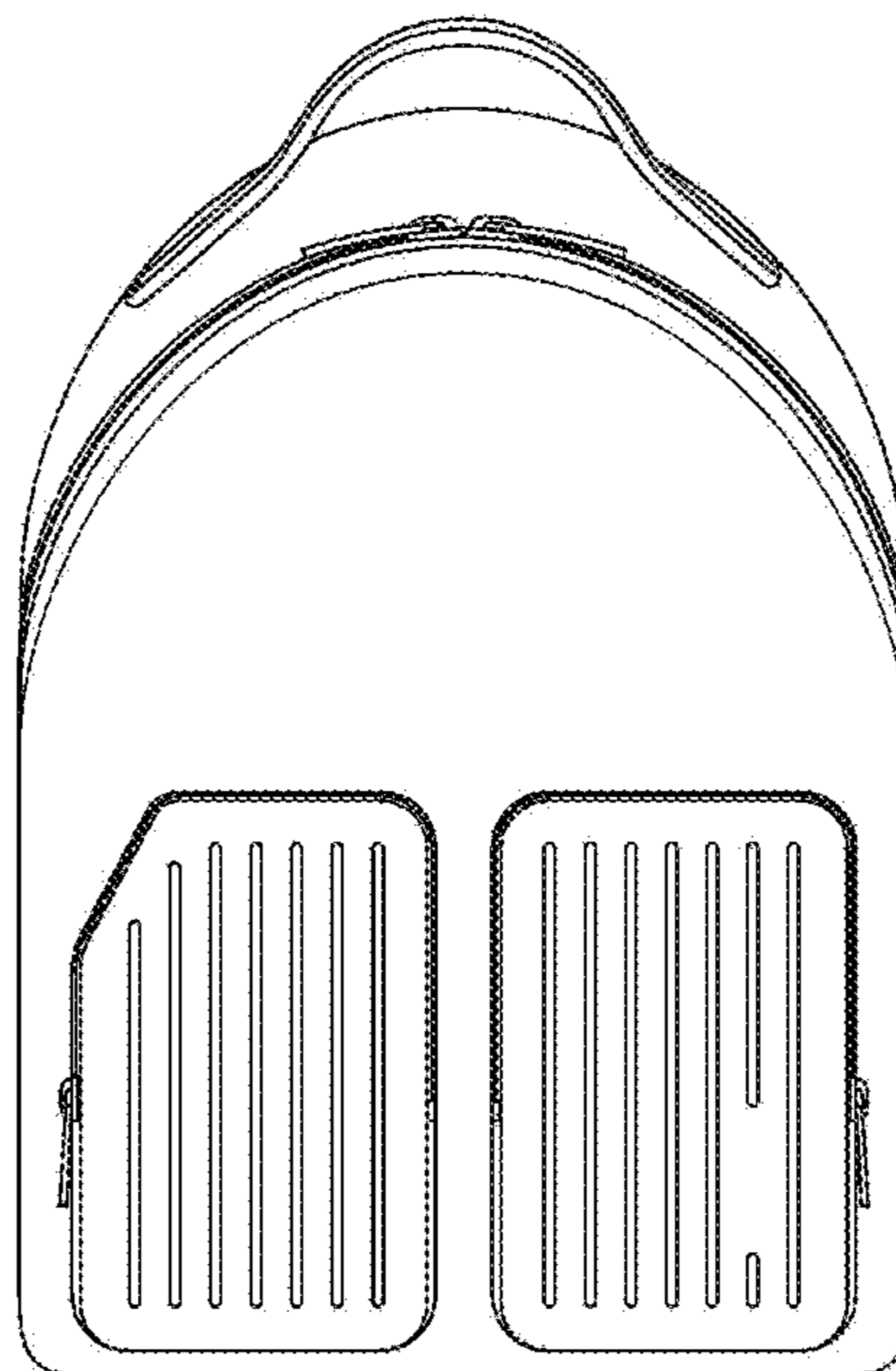
1 Claim, 7 Drawing Sheets



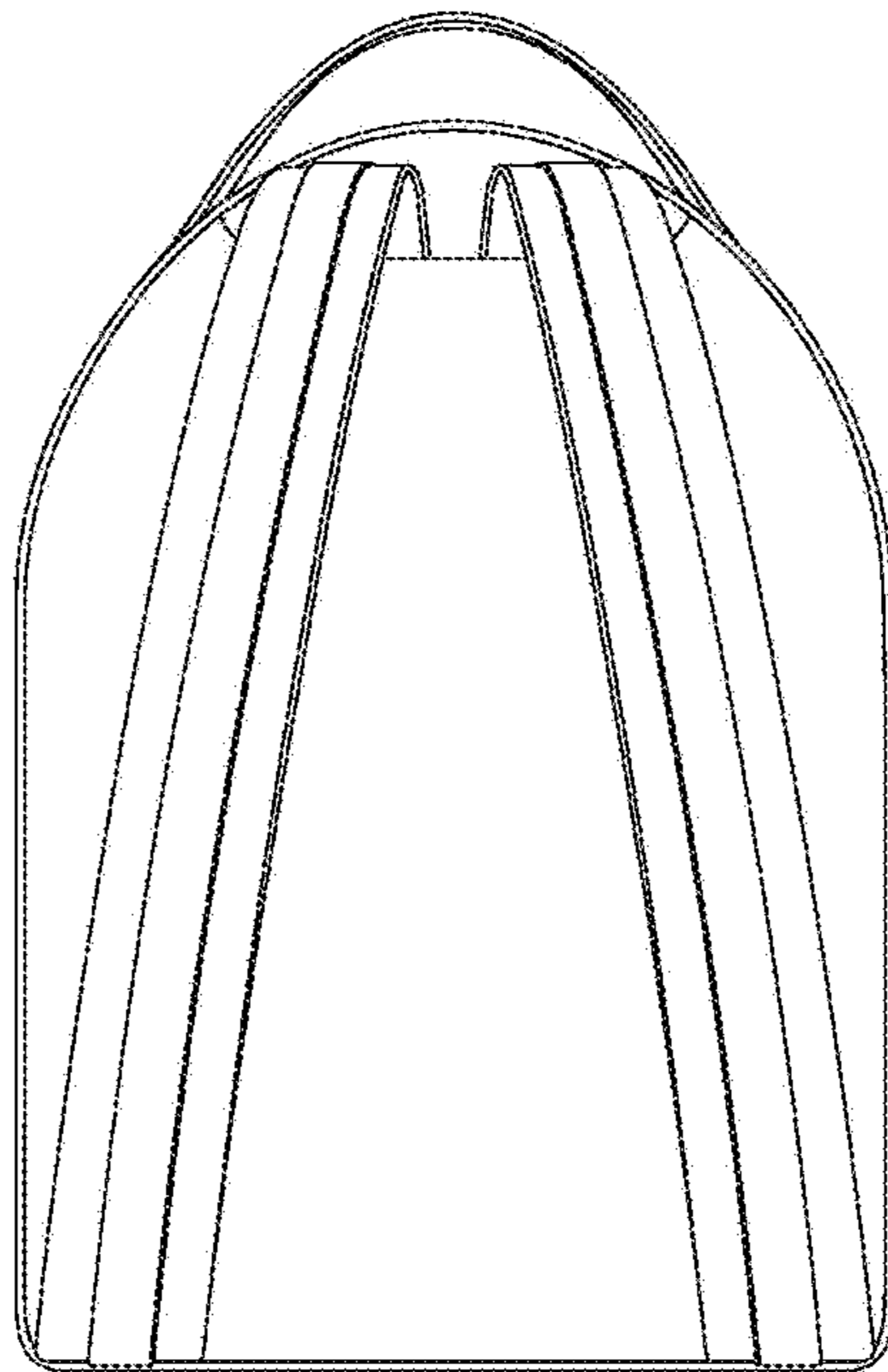
1.1



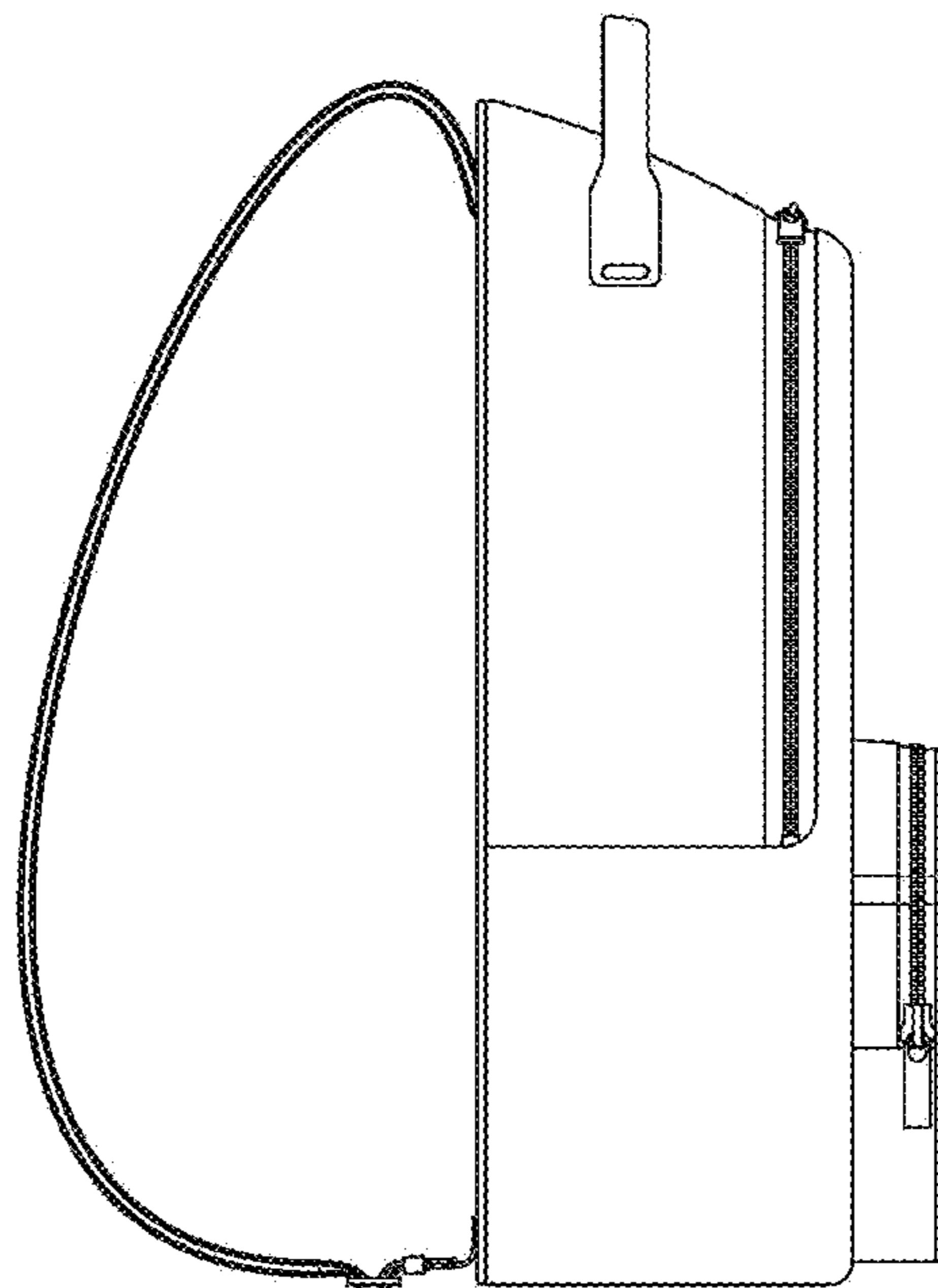
1.2



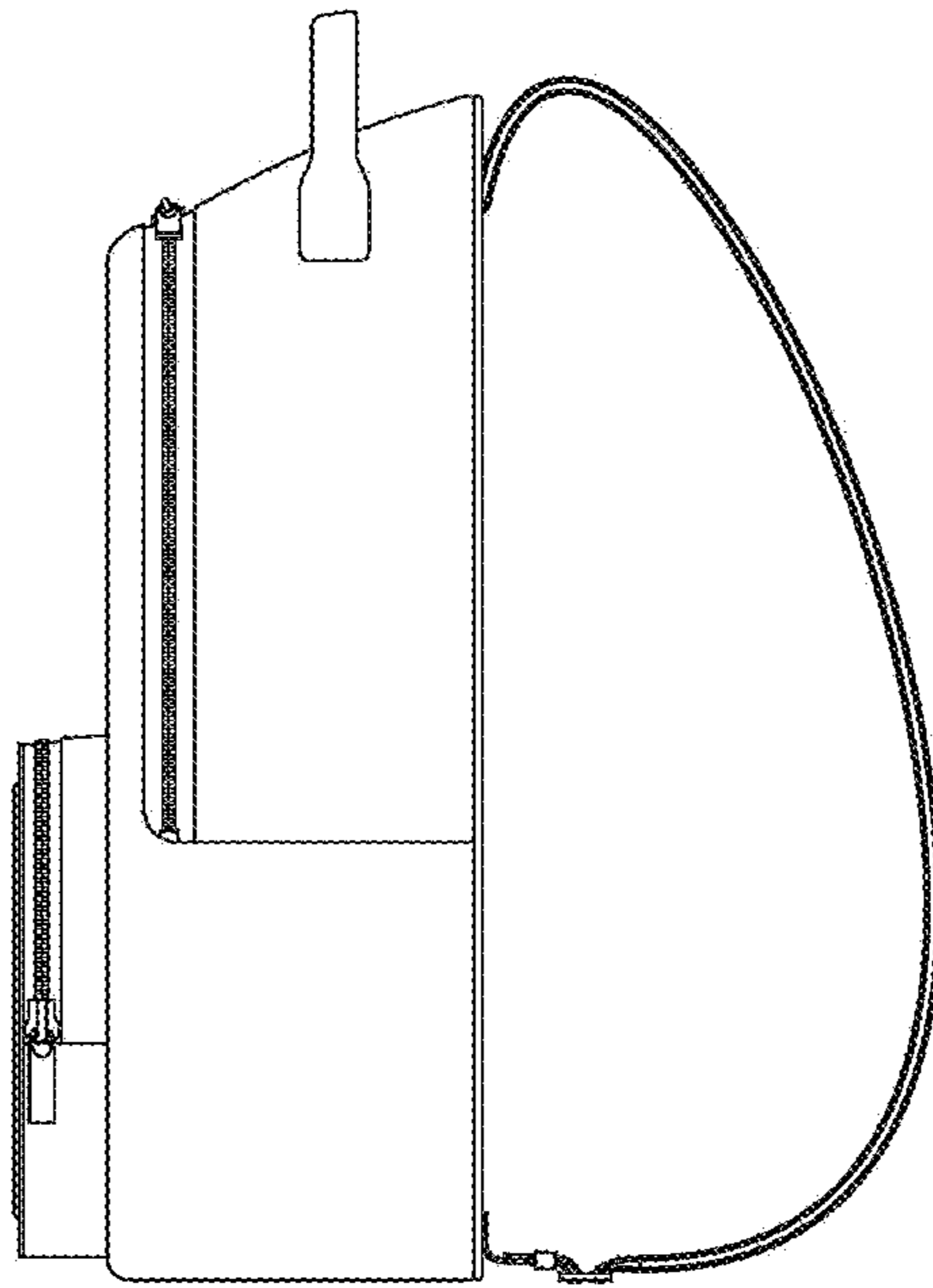
1.3



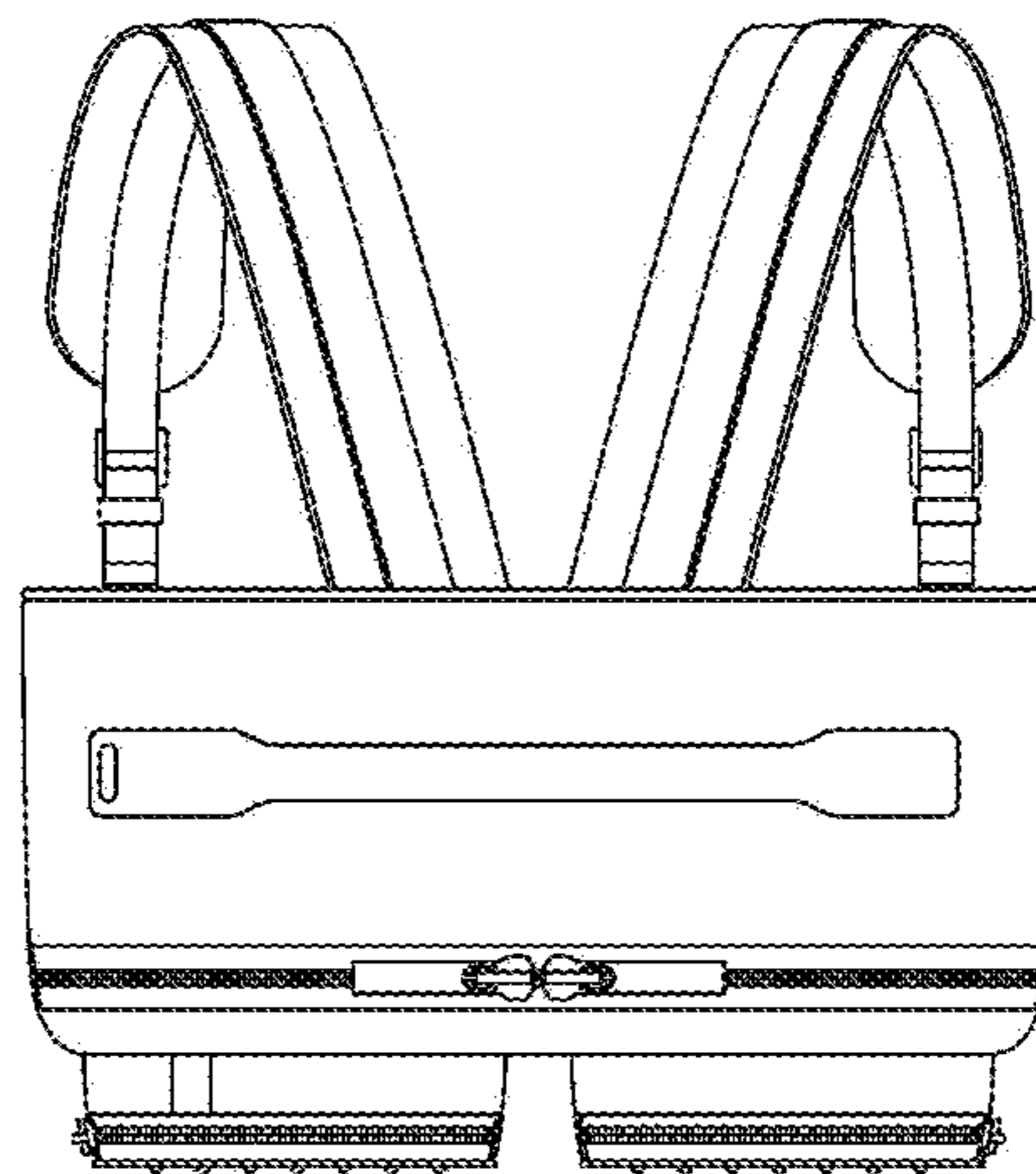
1.4



1.5



1.6



1.7

