



US00D965968S

(12) **United States Design Patent**
Chen

(10) **Patent No.:** **US D965,968 S**

(45) **Date of Patent:** **** Oct. 11, 2022**

(54) **MEDICATION CASE**

(71) Applicant: **Changsha Yuwen Network Technology Co., Ltd.**, Changsha (CN)

(72) Inventor: **Junyuan Chen**, Changsha (CN)

(73) Assignee: **HAIKOU LILI INVESTMENT CO., LTD.**, Haikou (CN)

(**) Term: **15 Years**

(21) Appl. No.: **29/787,839**

(22) Filed: **Jun. 9, 2021**

(30) **Foreign Application Priority Data**

Jun. 3, 2021 (CN) 202130338904.6

(51) **LOC (13) Cl.** **03-01**

(52) **U.S. Cl.**
USPC **D3/203.3; D3/203.1**

(58) **Field of Classification Search**
USPC D3/203.1, 203.2, 203.3, 201, 203.4, D3/203.5, 203.6, 203.7, 203.8, 272, 273, D3/901-905, 302, 276, 294, 295, 298; D24/224; D6/515; D9/420-424, 529, D9/756, 757, 759; D99/28; D14/214, D14/314; D7/615, 629; D27/186
CPC A61J 1/00; A61J 7/04; B65D 43/20; B65D 50/04; B65D 83/04; A47F 3/0404
See application file for complete search history.

(56) **References Cited**

U.S. PATENT DOCUMENTS

D696,010 S * 12/2013 Priebe D3/203.3
D831,331 S * 10/2018 Lee D3/203.3
D833,733 S * 11/2018 Chen D3/203.3
D898,345 S * 10/2020 Lee D3/203.3
11,141,349 B1 * 10/2021 Chen A61J 1/1412

2014/0251863 A1* 9/2014 Priebe A61J 1/03 206/534
2016/0095797 A1* 4/2016 Hartley A61J 7/0409 340/540
2021/0283018 A1* 9/2021 Guo A61J 7/0084
2022/0153491 A1* 5/2022 Wang B65D 55/02

OTHER PUBLICATIONS

Amazon.com, Site visited Aug. 8, 2022, EZY Dose Locking Weekly Pill Planner, First available May 17, 2007, <https://www.amazon.com/Locking-Weekly-Planner-Organizer-Assorted/dp/B000MIIFTI> (Year: 2007).*

(Continued)

Primary Examiner — Brett Miller

Assistant Examiner — Jessica M Gebhart

(74) *Attorney, Agent, or Firm* — IPRO, PLLC; Na Xu

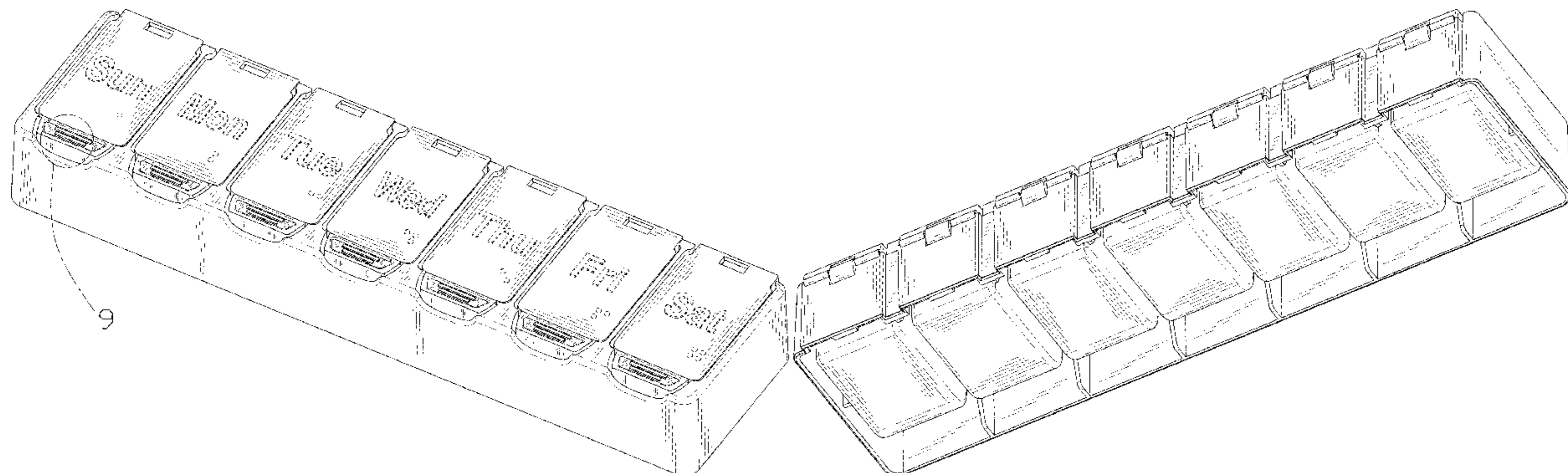
(57) **CLAIM**

The ornamental design for a medication case, as shown and described.

DESCRIPTION

FIG. 1 is a perspective view of an ornamental design for a medication case showing our new design; FIG. 2 is another perspective view of the medication case; FIG. 3 is a front view of the medication case; FIG. 4 is a rear view of the medication case; FIG. 5 is a left side view of the medication case; FIG. 6 is a right side view of the medication case; FIG. 7 is a top view of the medication case; FIG. 8 is a bottom view of the medication case; FIG. 9 is an enlarged view of the portion surrounded by the dash-dot line in FIG. 1; and, FIG. 10 is a perspective view of the medication case in its open state.
The broken lines in the drawings depict portions of the medication case that form no part of the claimed design.

1 Claim, 10 Drawing Sheets



(56)

References Cited

OTHER PUBLICATIONS

Amazon.com, Site Visited Aug. 3, 2022, Auvon Weekly Pill Organizer, First available Nov. 8, 2017, <https://www.amazon.com/dp/B07794YMY7?tag=miamiheraldav-20> (Year: 2017).*

Amazon.co.uk, Site visited Aug. 8, 2022, Amazon Brand Eono Store Pill Organiser, First available Oct. 7, 2019, <https://www.amazon.co.uk/Eono-Amazon-Organiser-Weekly-Compartments/dp/B07YXX5584> (Year: 2019).*

* cited by examiner

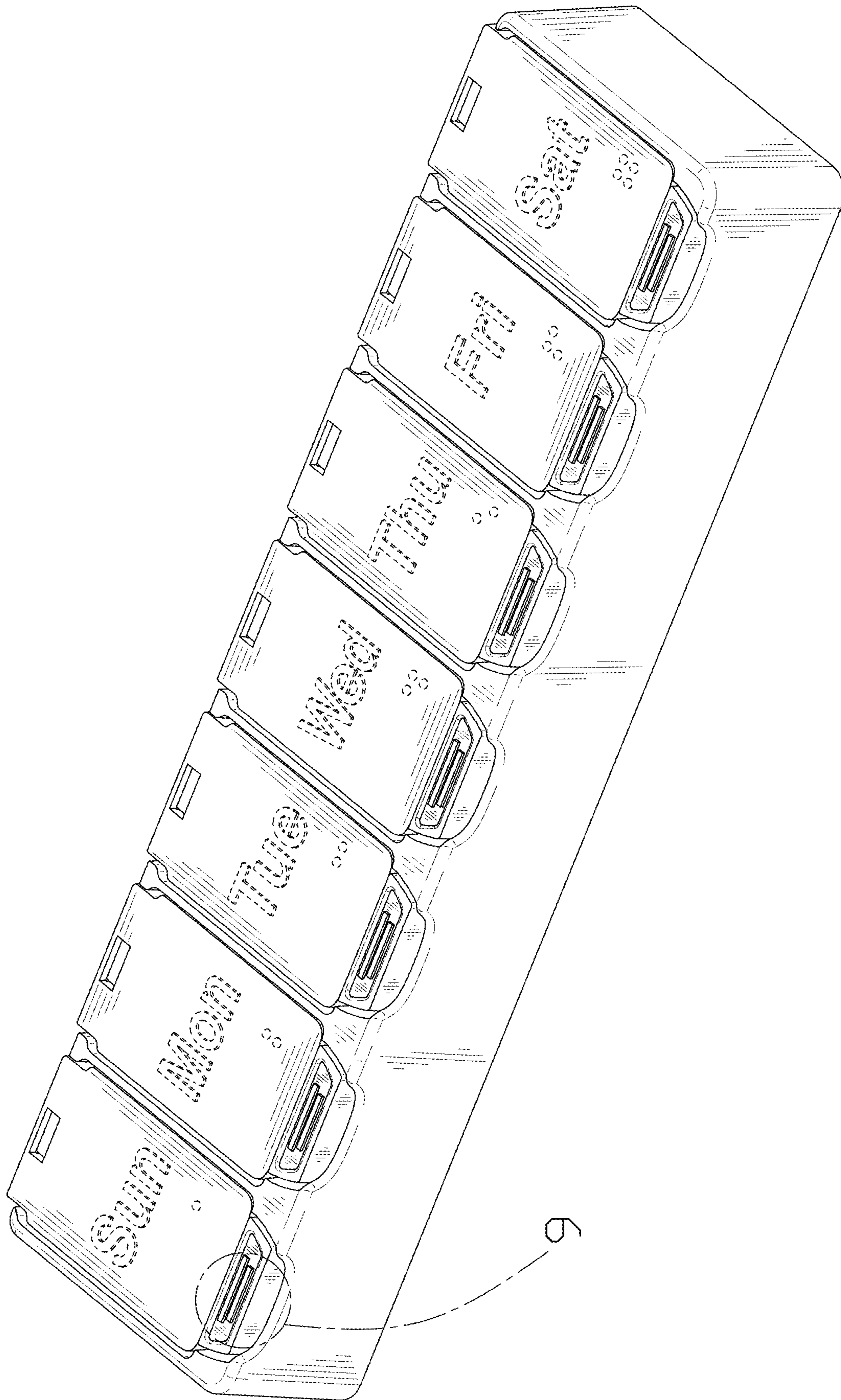


FIG. 1

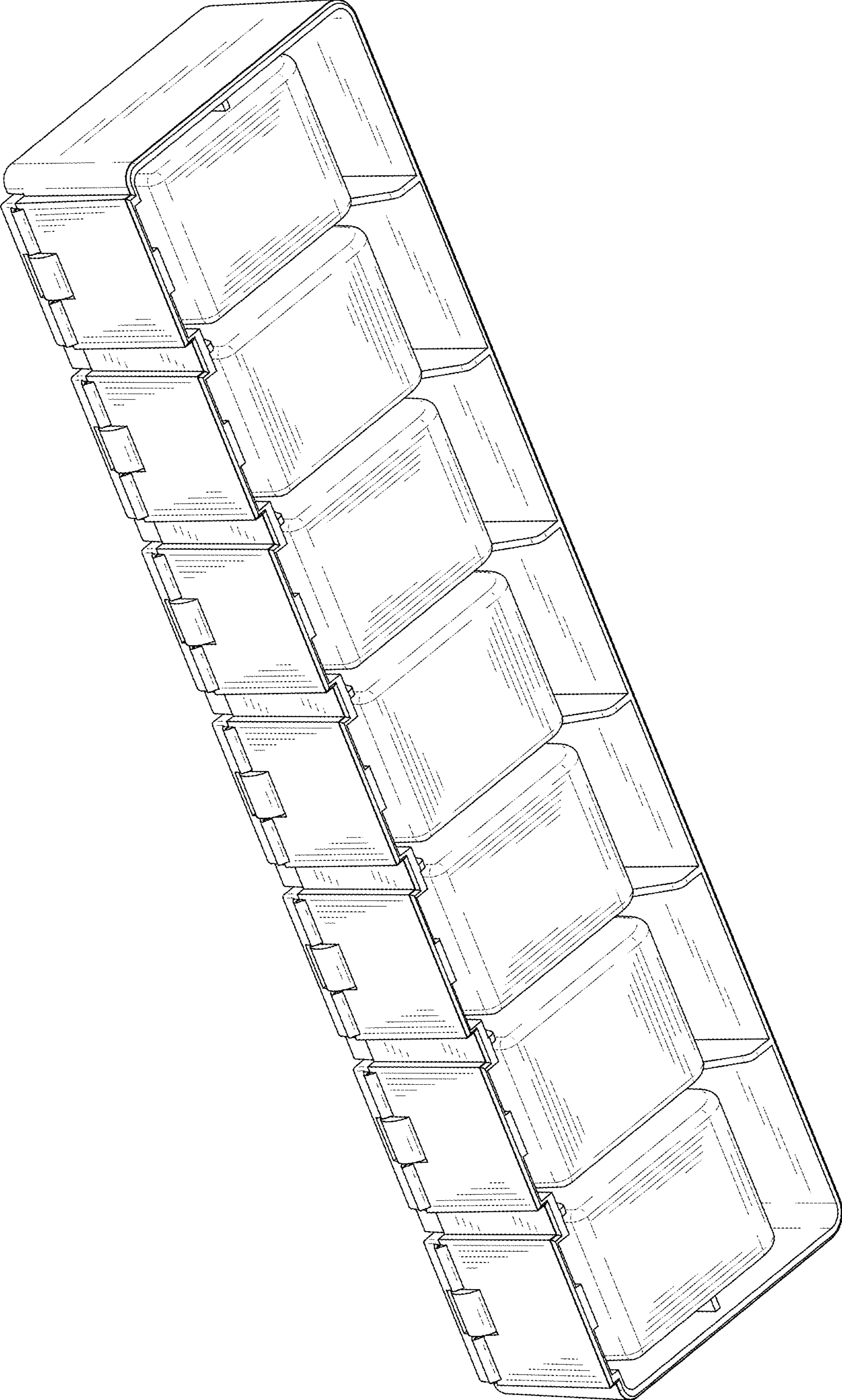


FIG. 2

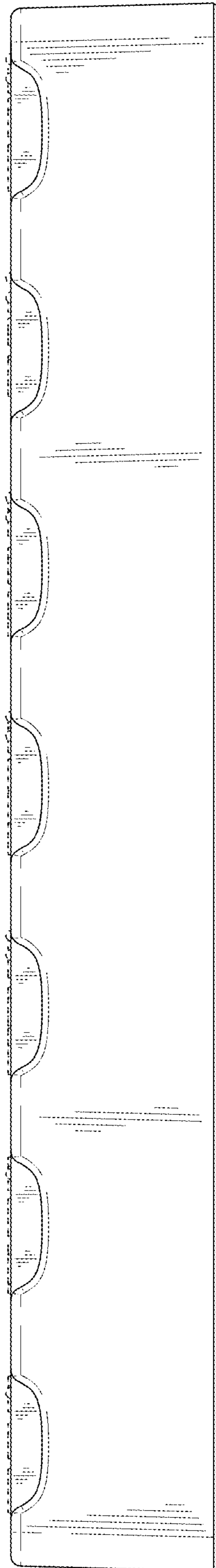


FIG. 3

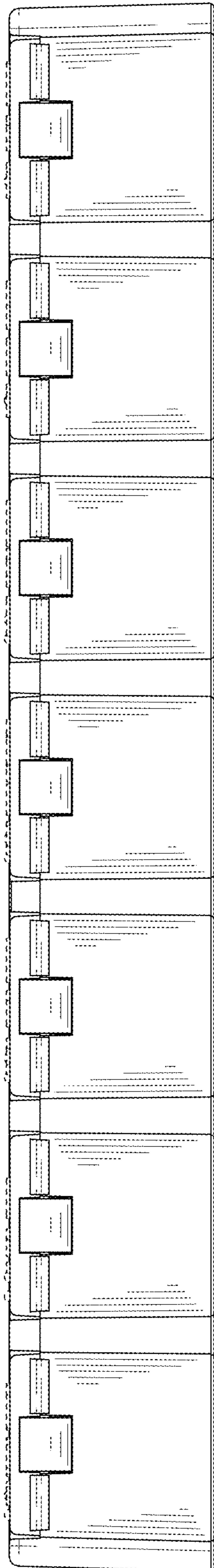


FIG. 4

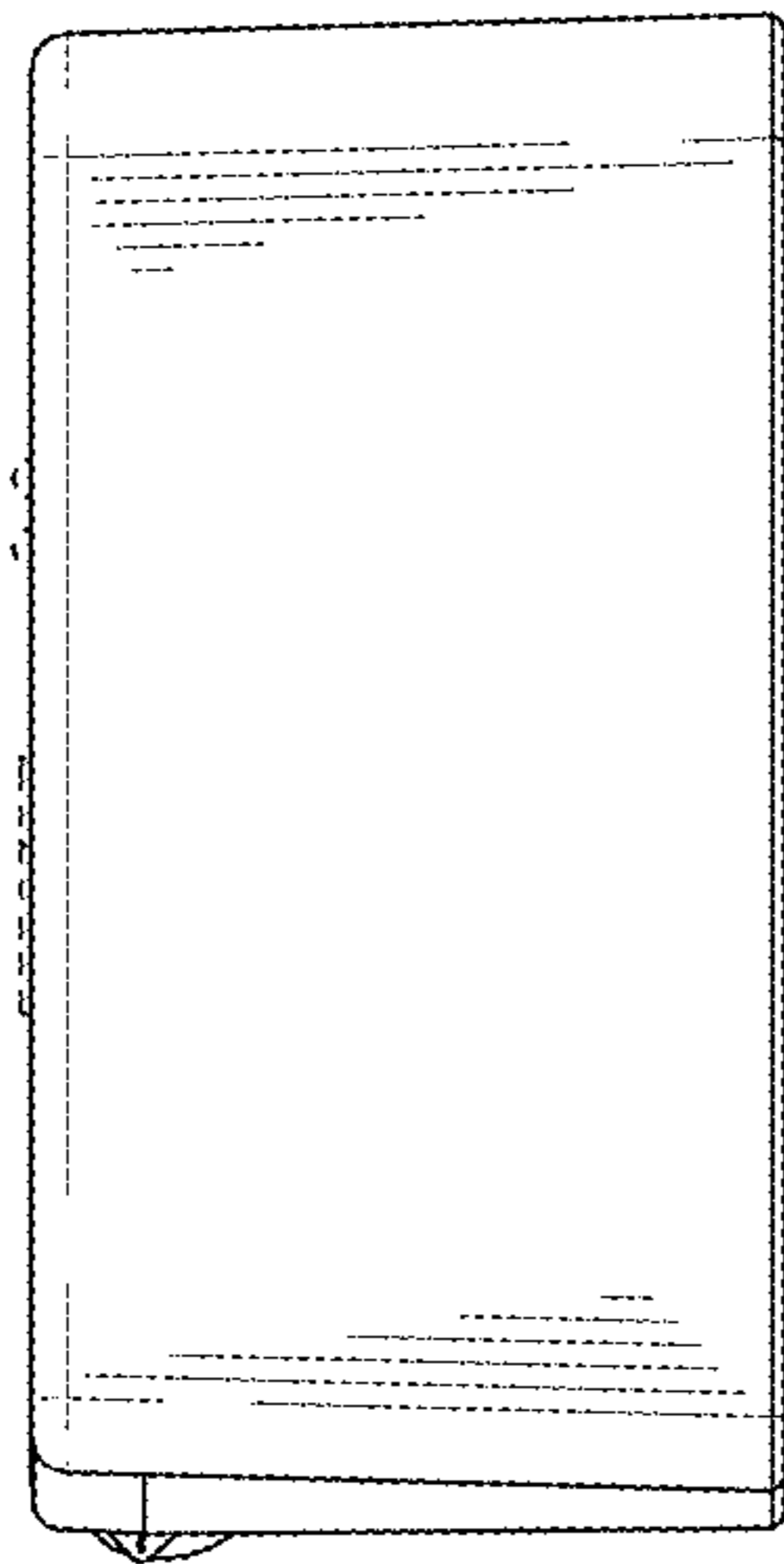


FIG. 5

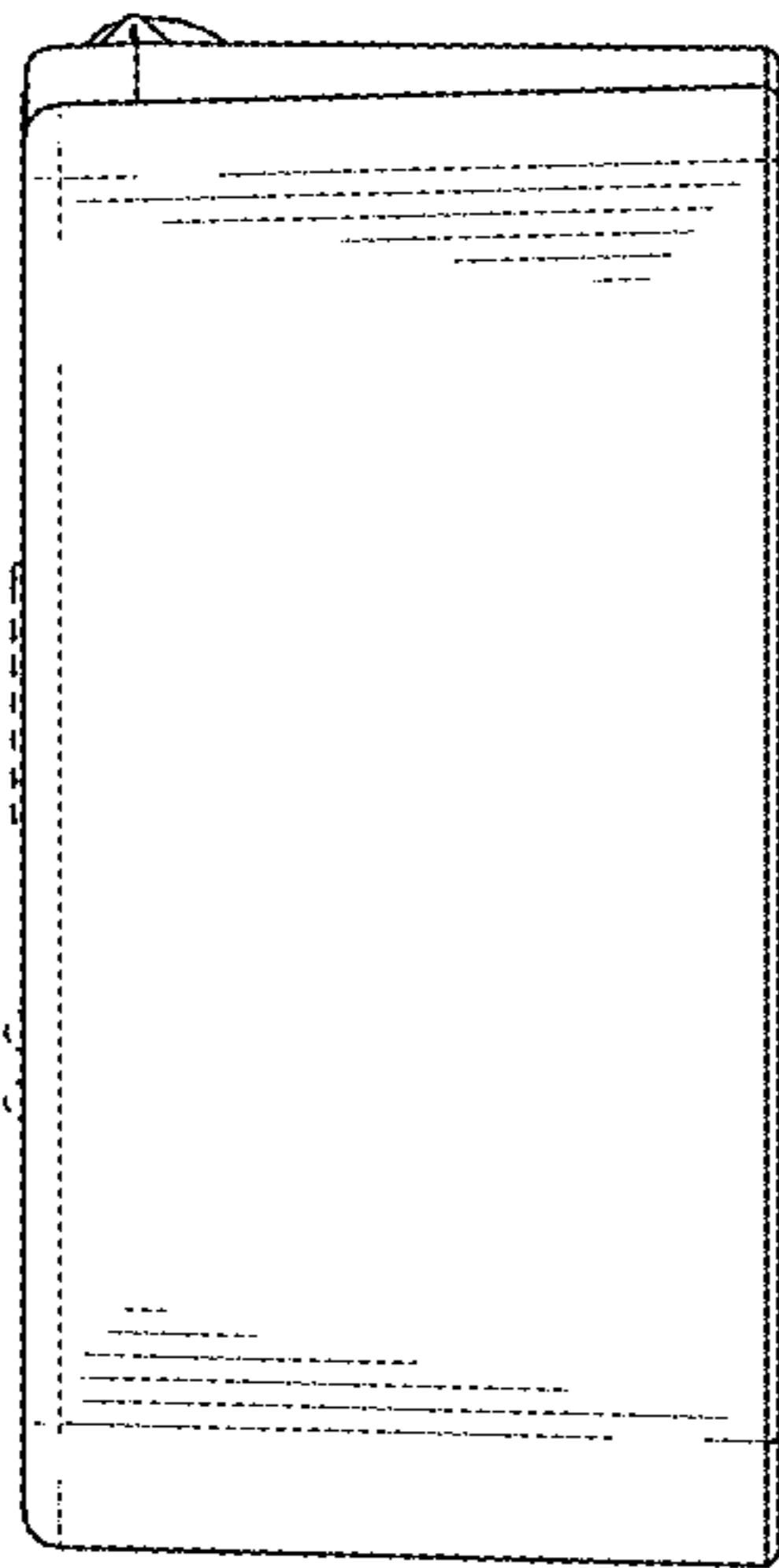


FIG. 6

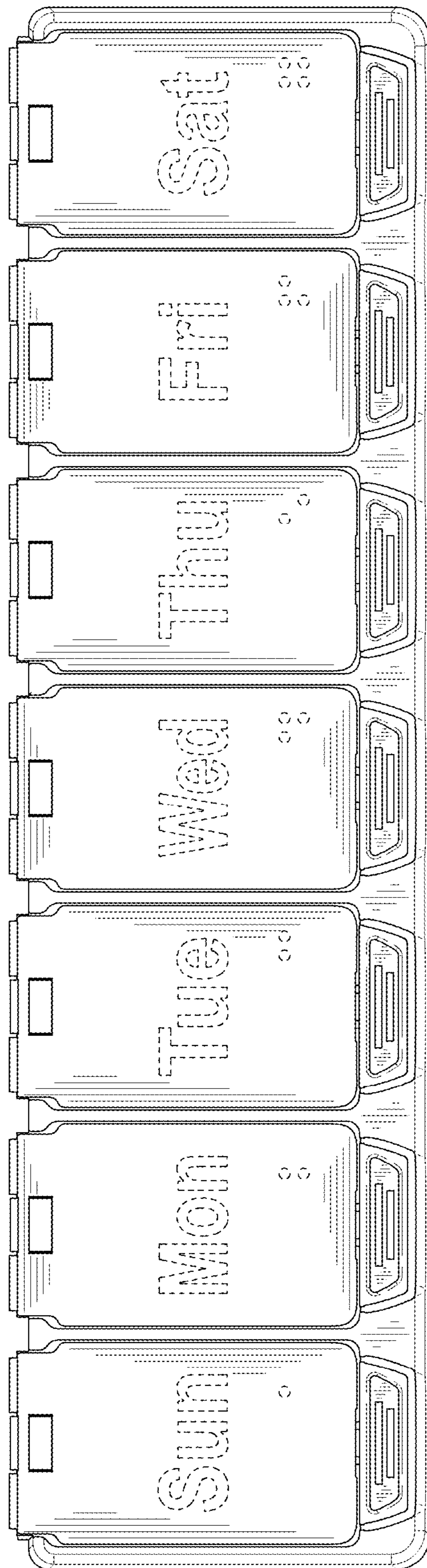


FIG. 7

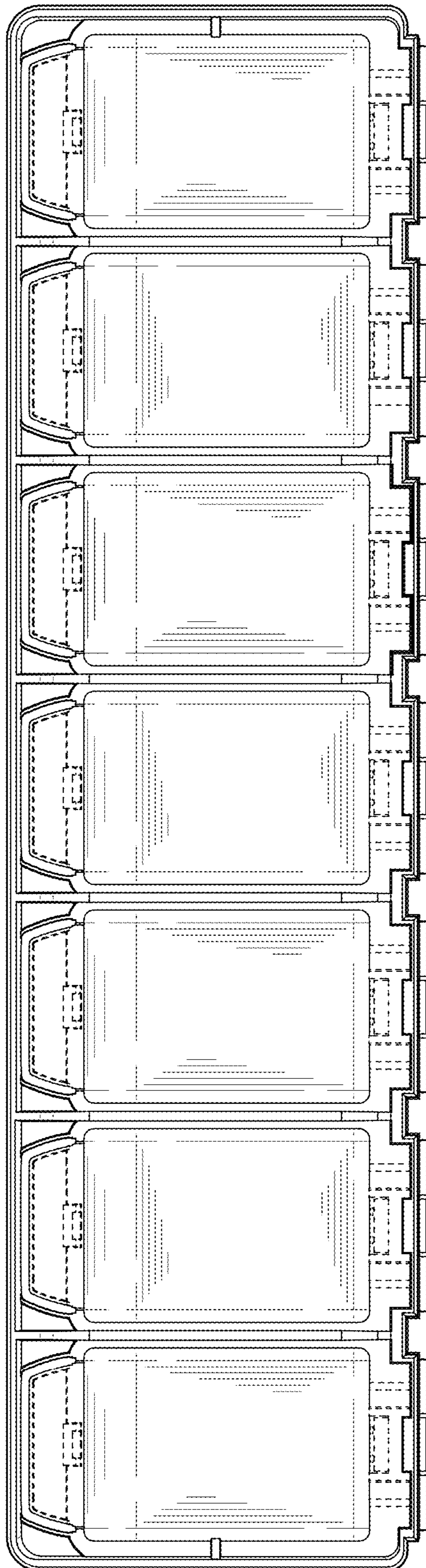


FIG. 8

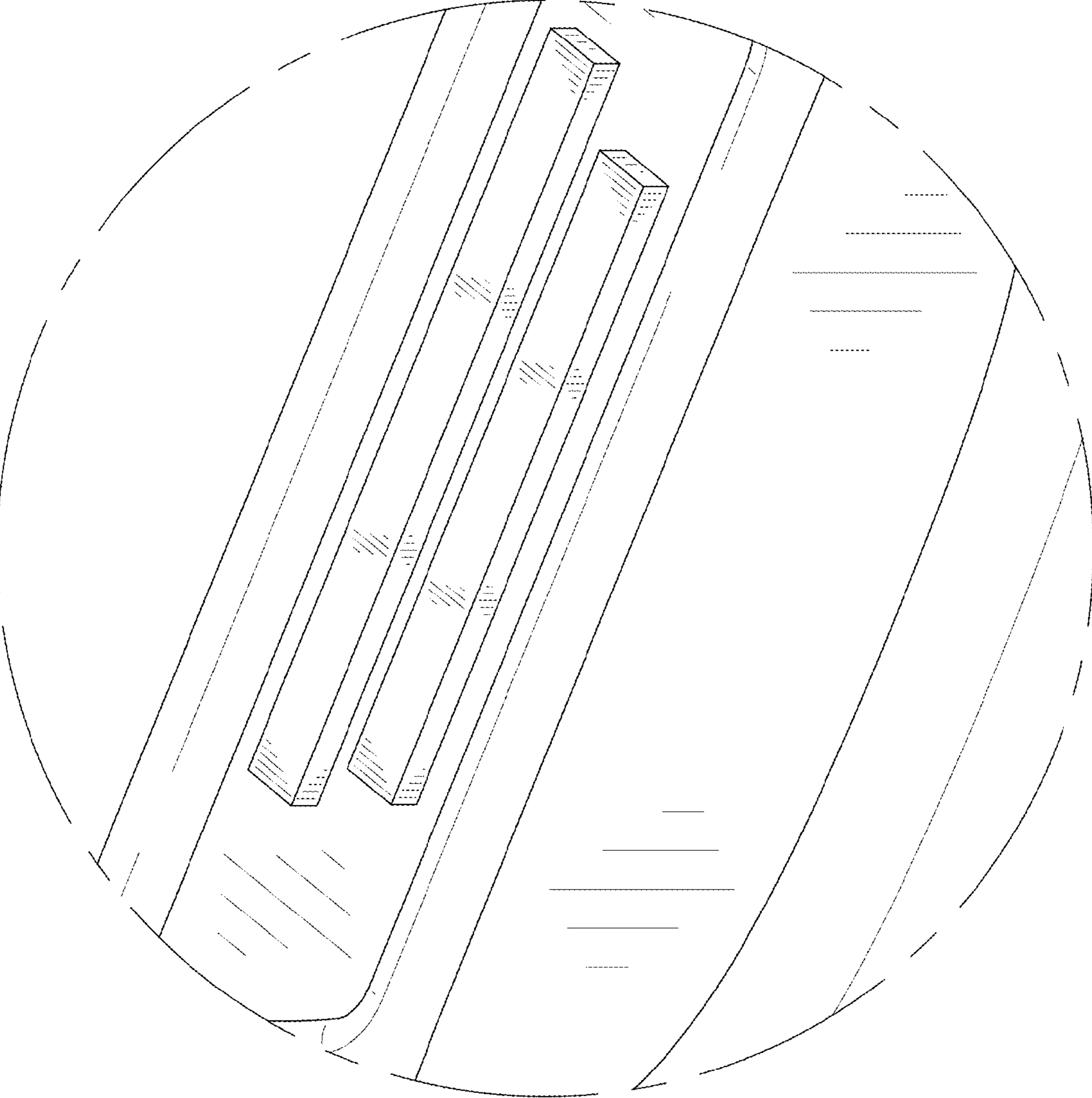


FIG. 9

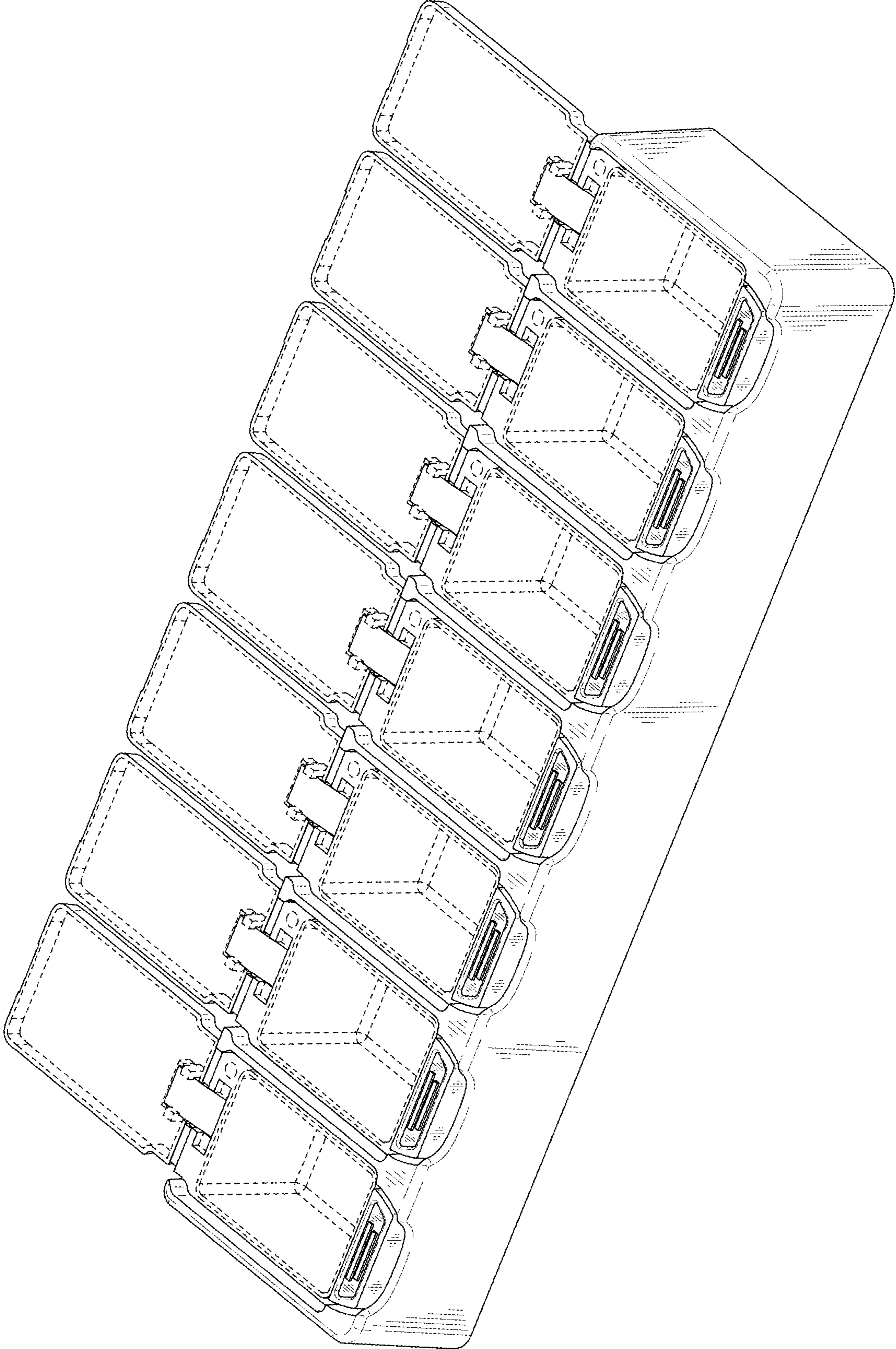


FIG. 10