



US00D965956S

(12) **United States Design Patent** (10) **Patent No.:** **US D965,956 S**
Chereskin et al. (45) **Date of Patent:** **** Oct. 11, 2022**

(54) **WEIGHTED ROBE**

FOREIGN PATENT DOCUMENTS

(71) Applicant: **GRAVITY BRAND HOLDINGS LLC**, New York, NY (US)

GB 4037450 * 11/2014
GB 4041386 * 9/2015

(Continued)

(72) Inventors: **Ronald Chereskin**, Brooklyn, NY (US); **Michael James Grillo**, Brooklyn, NY (US)

OTHER PUBLICATIONS

(73) Assignee: **GRAVITY BRAND HOLDINGS LLC**, New York, NY (US)

Gravity Fleece Weighted Robe, available at gravityblankets.com, earliest customer review date Jun. 2020 [online], site visited Jun. 8, 2022, available from the internet URL: <https://gravityblankets.com/collections/weighted-robos/products/gravity-fleece-weighted-robe> (Year: 2020).*

(**) Term: **15 Years**

(Continued)

(21) Appl. No.: **29/748,137**

Primary Examiner — Messina L Smith

(22) Filed: **Aug. 27, 2020**

Assistant Examiner — Jillian Mazzola

(51) **LOC (13) Cl.** **02-02**

(74) *Attorney, Agent, or Firm* — Bochner IP, PLLC;
Andrew D. Bochner

(52) **U.S. Cl.**

USPC **D2/727**

(58) **Field of Classification Search**

USPC D2/715-716, 724-727, 750, 751, 759,
D2/760

CPC A41D 7/008; A41D 10/00

See application file for complete search history.

(57) **CLAIM**

The ornamental design for a weighted robe, as shown and described.

DESCRIPTION

(56) **References Cited**

U.S. PATENT DOCUMENTS

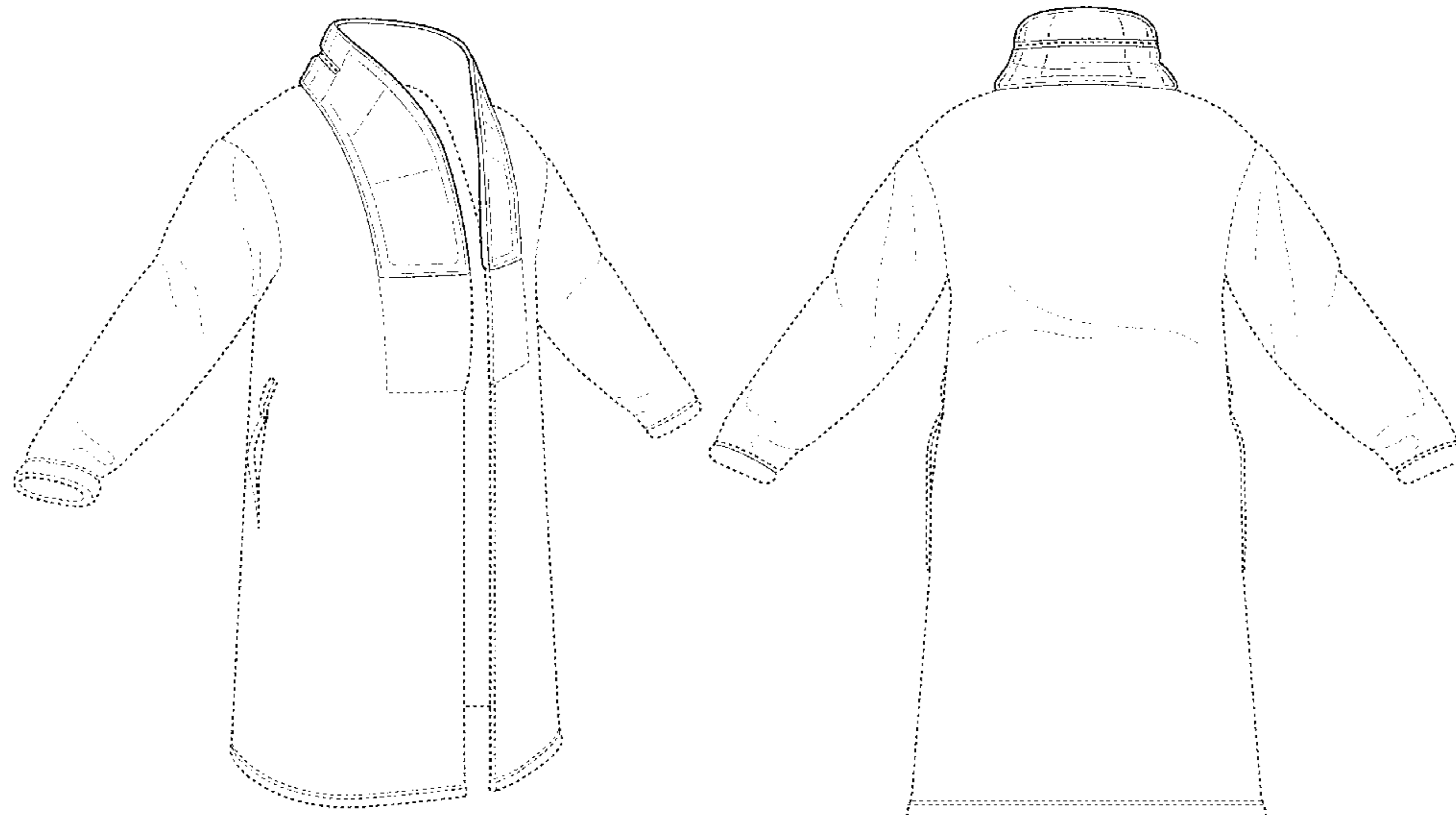
D112,309 S *	11/1938	Lowenthal	D2/823
D120,888 S *	6/1940	Hauck	D2/727
D136,680 S *	11/1943	Louis	D2/823
D360,517 S *	7/1995	Reizenstein	D2/828
D363,593 S *	10/1995	Murray	D2/828
D382,092 S *	8/1997	Daly	D3/214
D386,585 S *	11/1997	Blaeske, Jr.	D2/737
D389,288 S *	1/1998	Leinoff	D2/828
D398,738 S *	9/1998	De La Rosa	D2/828
D422,665 S *	4/2000	Steger	D21/805
D426,051 S *	6/2000	Bugel	D2/839
D426,937 S *	6/2000	Auster	D2/839

(Continued)

FIG. 1 is a perspective view of a weighted robe showing the new design;
FIG. 2 is a front view thereof;
FIG. 3 is a rear view thereof;
FIG. 4 is a first side view thereof;
FIG. 5 is a second side view thereof;
FIG. 6 is a top view thereof;
FIG. 7 is a bottom view thereof; and,
FIG. 8 is a perspective view of the weighted robe being worn by a user.

The broken lines in FIG. 8 showing a human represent environmental subject matter only and form no part of the claimed design. The other broken lines shown in the drawings represent portions of the weighted robe that form no part of the claimed design.

1 Claim, 7 Drawing Sheets



(56)

References Cited

U.S. PATENT DOCUMENTS

D496,774	S	*	10/2004	Fields-Hale	D2/830
D582,126	S	*	12/2008	Lesperance	D2/745
D629,178	S	*	12/2010	Lindsay	D6/601
D683,524	S	*	6/2013	Power	D2/830
D683,933	S	*	6/2013	Robbins	D3/216
8,578,515	B1	*	11/2013	Petersen	A47G 9/064 2/69.5
D783,230	S	*	4/2017	Darmour	D2/731
D799,164	S	*	10/2017	Lomax	D2/840
D830,669	S	*	10/2018	Young	D2/733
D839,548	S	*	2/2019	Lomax	D2/828
D855,289	S	*	8/2019	Avila	D2/828
D859,789	S	*	9/2019	Gill	D2/828
D942,121	S	*	2/2022	Colyer	D2/750

FOREIGN PATENT DOCUMENTS

GB	6094262	*	7/2020
GB	6131100	*	4/2021

OTHER PUBLICATIONS

The Hush Weighted Robe, available at hushblankets.com, earliest customer review date Apr. 29, 2022 [online], site visited Jun. 8, 2022, available from the internet URL: <https://hushblankets.com/products/weighted-robe?variant=39911571259474> (Year: 2022).*

Sunny Bay Neck Wrap, available at [walmart.com](https://www.walmart.com/ip/Sunny-Bay-Extra-Long-Neck-Heating-Wrap-Microwavable-Heat-Pad-Heated-Neck-Wrap-Midnight-Blue/200438405), earliest customer review date Sep. 11, 2018 [online], site visited Jun. 8, 2022, available from the internet URL: <https://www.walmart.com/ip/Sunny-Bay-Extra-Long-Neck-Heating-Wrap-Microwavable-Heat-Pad-Heated-Neck-Wrap-Midnight-Blue/200438405> (Year: 2018).*

Warmies Cozy Body Faux Fur Lavender Scented Microwavable Neck Wrap—Cream, available at [amazon.com](https://www.amazon.com/Warmies-Cozy-Lavender-Scented-Microwavable/dp/B07GT7NKP7), earliest date available Oct. 5, 2018 [online], site visited Jun. 8, 2022, available from the internet URL: <https://www.amazon.com/Warmies-Cozy-Lavender-Scented-Microwavable/dp/B07GT7NKP7> (Year: 2018).*

Heated Neck Wrap, available at ostrichpillow.com, earliest customer review date Jun. 1, 2020 [online], site visited Jun. 8, 2022, available from the internet URL: <https://ostrichpillow.com/en-us/products/heated-neck-wrap> (Year: 2020).*

* cited by examiner



FIG. 1



FIG. 2

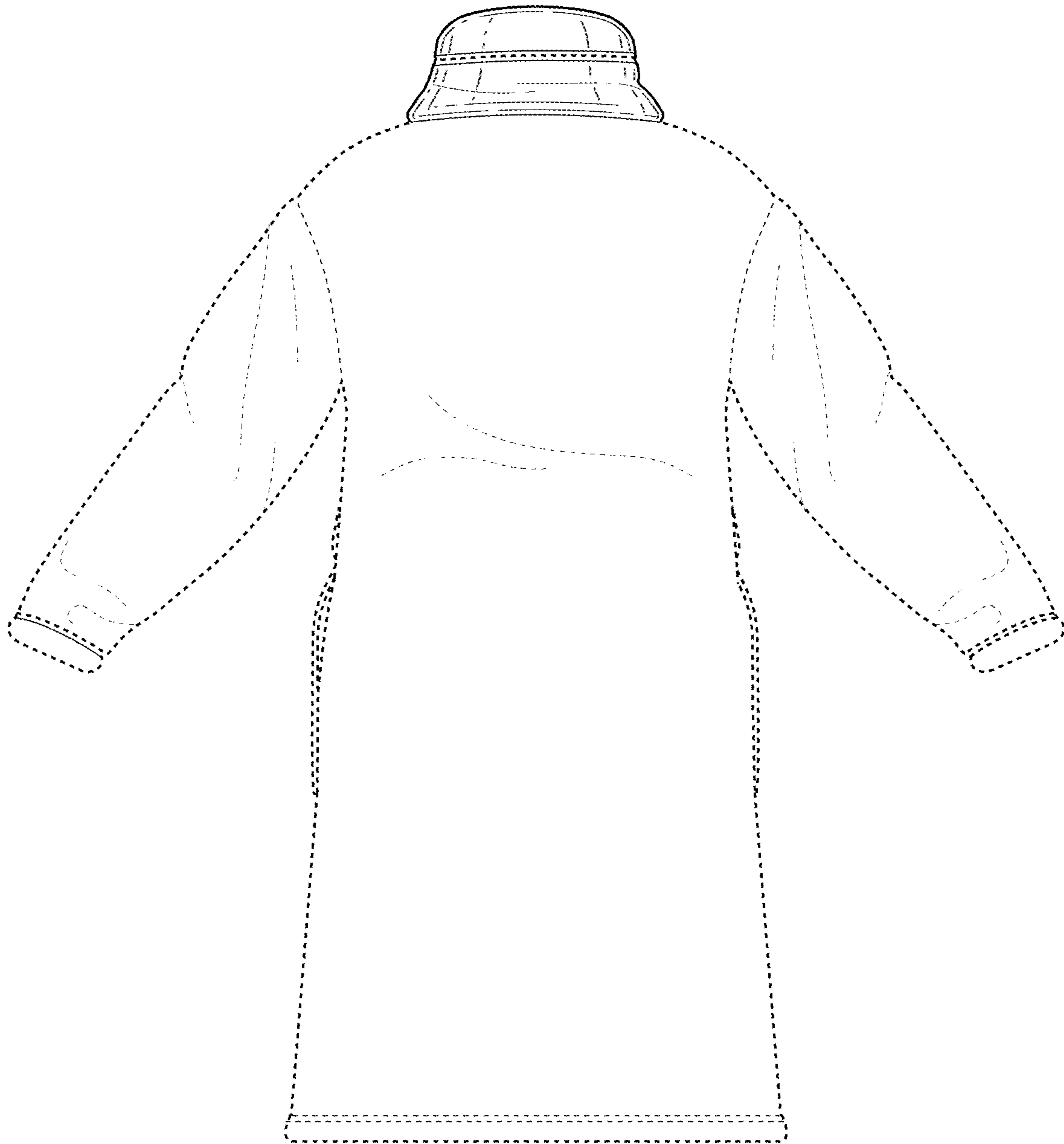


FIG. 3

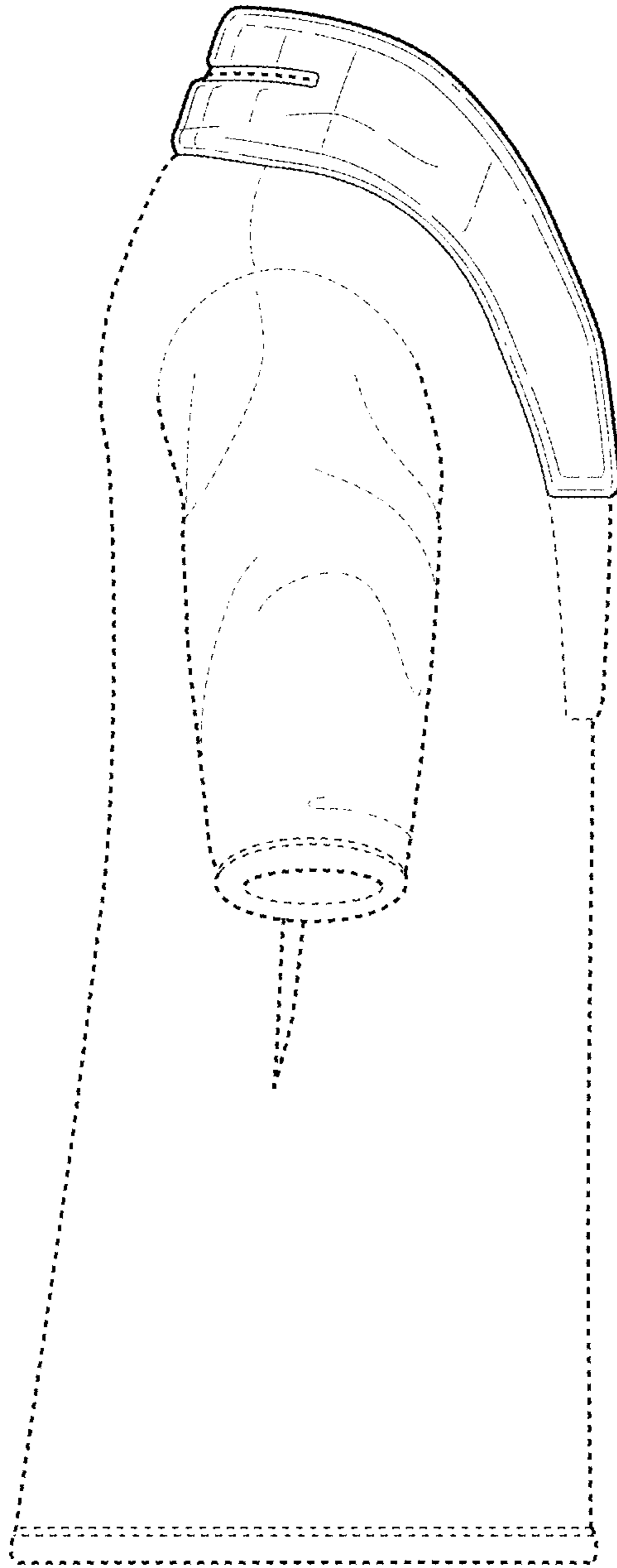


FIG. 4

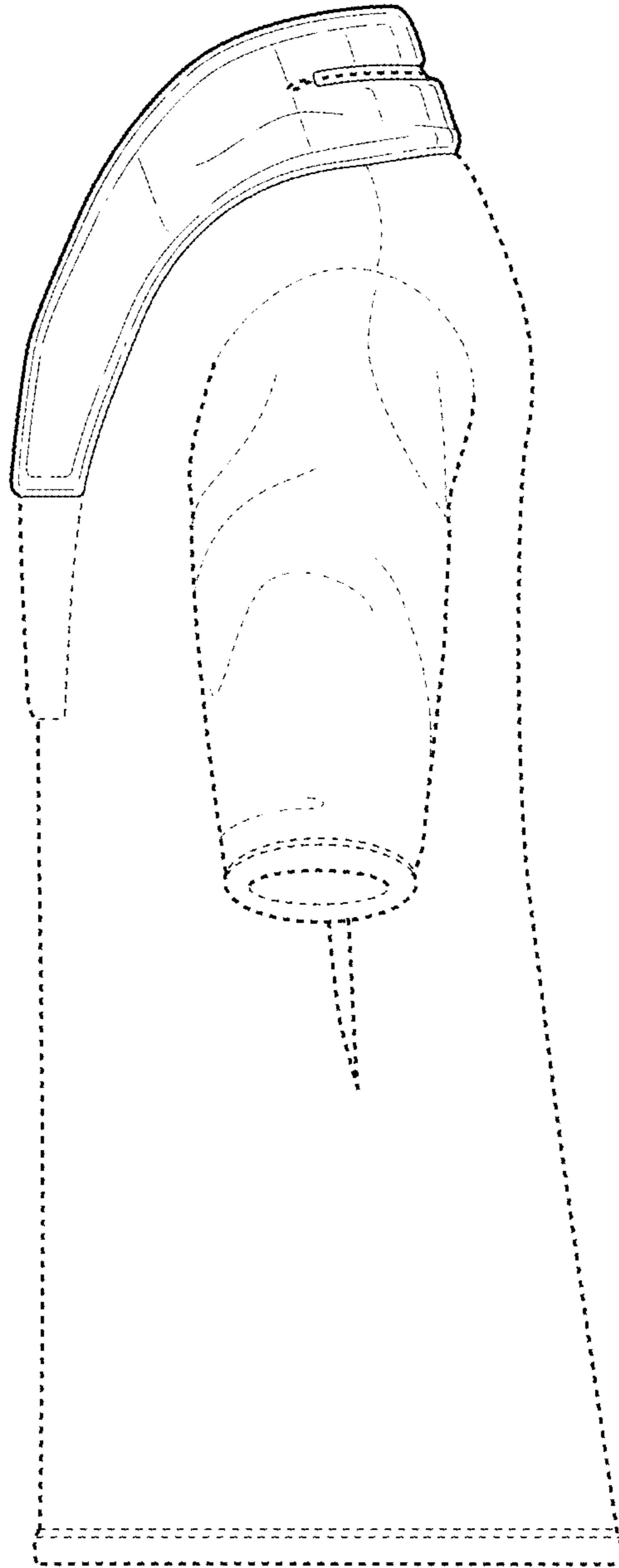


FIG. 5

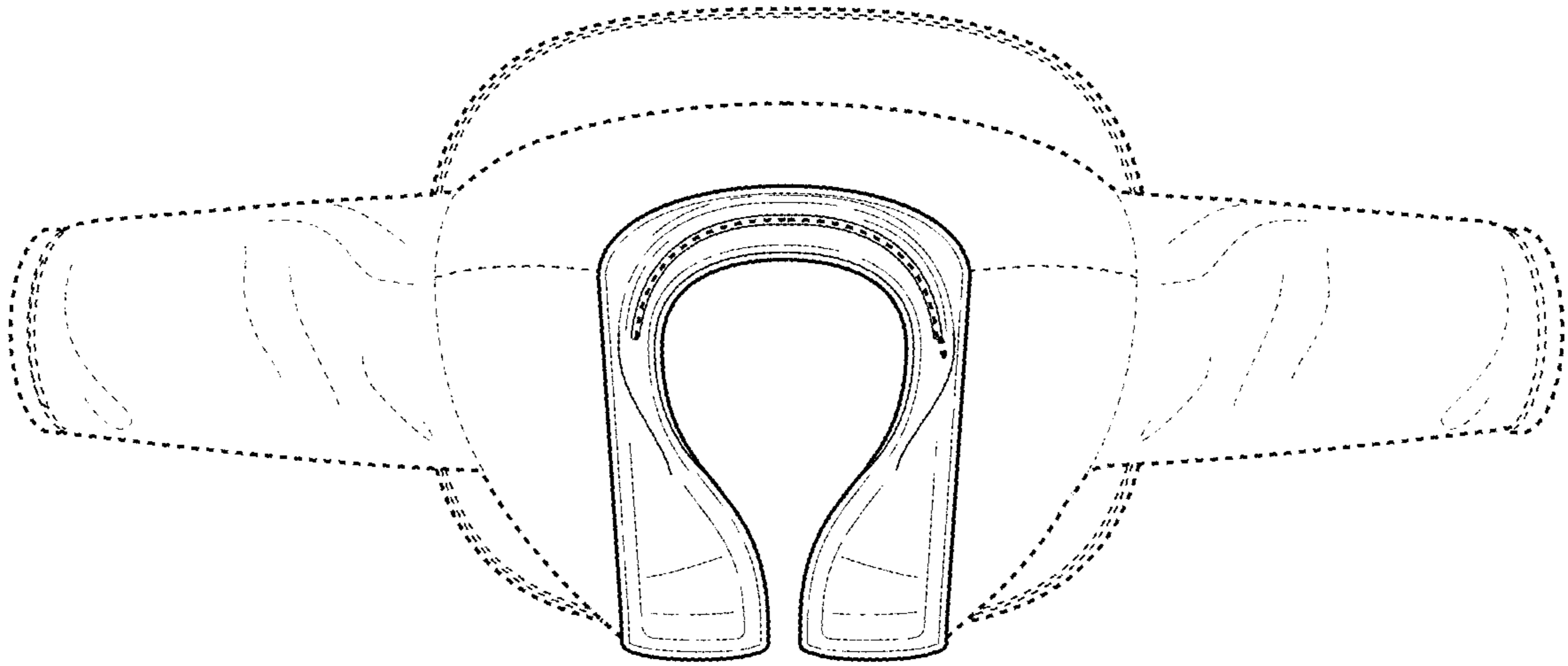


FIG. 6

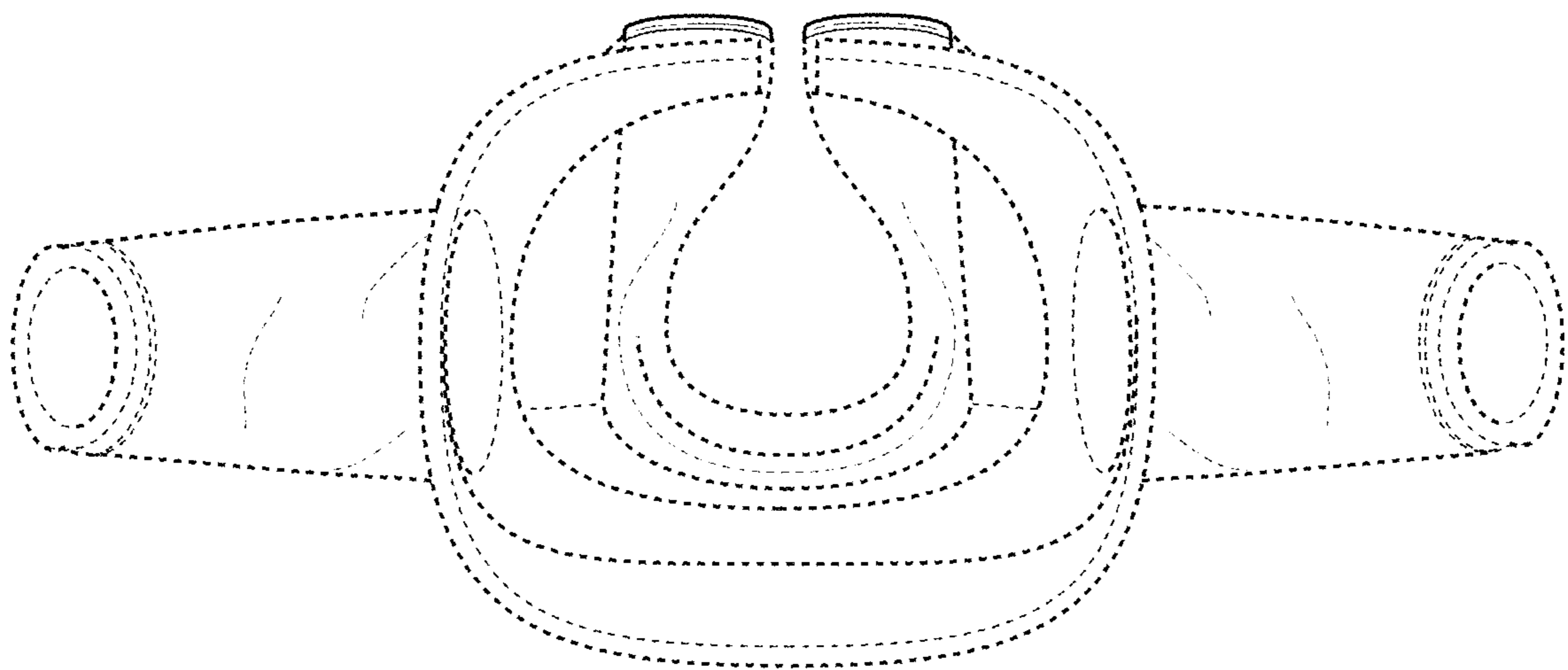


FIG. 7



FIG. 8