



US00D965950S

(12) **United States Design Patent**
Zhang

(10) **Patent No.:** **US D965,950 S**
(45) **Date of Patent:** **** Oct. 11, 2022**

- (54) **TELESCOPIC SHOE HORN**
- (71) Applicant: **Shichuan Zhang**, Guangdong (CN)
- (72) Inventor: **Shichuan Zhang**, Guangdong (CN)
- (**) Term: **15 Years**
- (21) Appl. No.: **29/803,823**
- (22) Filed: **Aug. 16, 2021**
- (51) **LOC (13) Cl.** **07-99**
- (52) **U.S. Cl.**
USPC **D2/642**
- (58) **Field of Classification Search**
USPC D2/641–643, 999; D3/200; D11/221;
D28/91.2
CPC A47G 25/80; A47G 25/82; A47G 25/86;
A47G 25/90; A47G 25/902; A47G
25/905; A47G 25/907
See application file for complete search history.

(56) **References Cited**

U.S. PATENT DOCUMENTS

- D16,766 S * 7/1886 Brittin A47G 25/902
24/40
- 4,516,704 A * 5/1985 Hagman A47G 25/905
223/111
- D290,063 S 6/1987 Wright
- D302,490 S * 8/1989 Denney D2/642
- 7,337,933 B1 * 3/2008 Klinberg A47G 25/82
223/118
- D627,132 S 11/2010 Morikawa
- D640,039 S * 6/2011 Szymanski A47G 25/82
D2/642

(Continued)

OTHER PUBLICATIONS

2 Pcs Shoe Horn Long Handle For Seniors, sold on amazon.com. Aug. 22, 2021. Accessed on Jun. 29, 2022. <<https://www.amazon.com/dp/B09DBGXG4Z/>>. (Year: 2021).*

(Continued)

Primary Examiner — Kevin K Rudzinski
Assistant Examiner — Clare Ann Gannon
(74) *Attorney, Agent, or Firm* — ScienBiziP, P.C.

(57) **CLAIM**

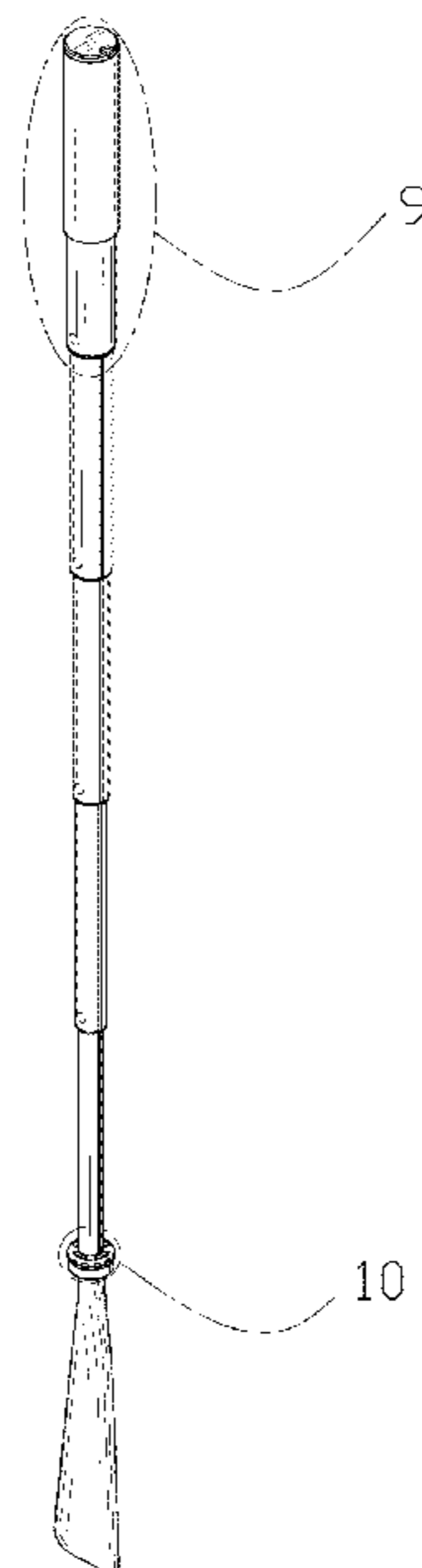
The ornamental design for a telescopic shoe horn, as shown and described.

DESCRIPTION

FIG. 1 is a front, right, and top perspective view of a telescopic shoe horn, showing my design.
 FIG. 2 is a rear, left, and bottom perspective view thereof.
 FIG. 3 is a front elevation view thereof.
 FIG. 4 is a rear elevation view thereof.
 FIG. 5 is a left side elevation view thereof.
 FIG. 6 is a right side elevation view thereof.
 FIG. 7 is a top plan view thereof.
 FIG. 8 is a bottom plan view thereof.
 FIG. 9 is a partial enlarged view of an area labeled 9 in FIG. 1 comprising a first side of a handle.
 FIG. 10 is a partial enlarged view of an area labeled 10 in FIG. 1 comprising a first side of a cyclic annular part.
 FIG. 11 is a partial enlarged view of an area labeled 11 in FIG. 2 comprising a second of the handle.
 FIG. 12 is a partial enlarged view of an area labeled 12 in FIG. 2 comprising a joint part.
 FIG. 13 is a partial enlarged view of an area labeled 13 in FIG. 2 comprising a second side of the cyclic annular part.
 FIG. 14 is another front, right, and top perspective view of the telescopic shoe horn of FIG. 1, wherein the telescopic shoe horn is in a folded state; and,
 FIG. 15 is an exploded view of the telescopic shoe horn of FIG. 1.

The broken lines shown in the drawings are included for the purpose of illustrating portions of the telescopic shoe horn that form no part of the claimed design.

1 Claim, 15 Drawing Sheets



(56)

References Cited

U.S. PATENT DOCUMENTS

D658,351 S * 5/2012 Szymanski D2/642
D696,154 S * 12/2013 McGinnis D11/221
D719,060 S * 12/2014 Grettenberger D11/221
D730,582 S * 5/2015 Lee D28/91.2
D908,287 S * 1/2021 Zheng D28/91.2
D942,694 S * 2/2022 Yang D28/91.2
2012/0169076 A1* 7/2012 Brake A47G 25/902
294/3.6
2017/0224145 A1* 8/2017 Smith A47G 25/90

OTHER PUBLICATIONS

Metal Shoe Horn Long Handle. Sold on amazon.com. Jul. 29, 2020.
Accessed on Jun. 29, 2022. <<https://www.amazon.com/dp/B09TSK6M6F>>. (Year: 2020).*

TriPro Shoe Horn. Sold on Amazon.com. Jun. 9, 2021. Accessed on
Jul. 16, 2022. <<https://www.amazon.com/dp/B096XD5R1L/>>. (Year:
2021).*

* cited by examiner

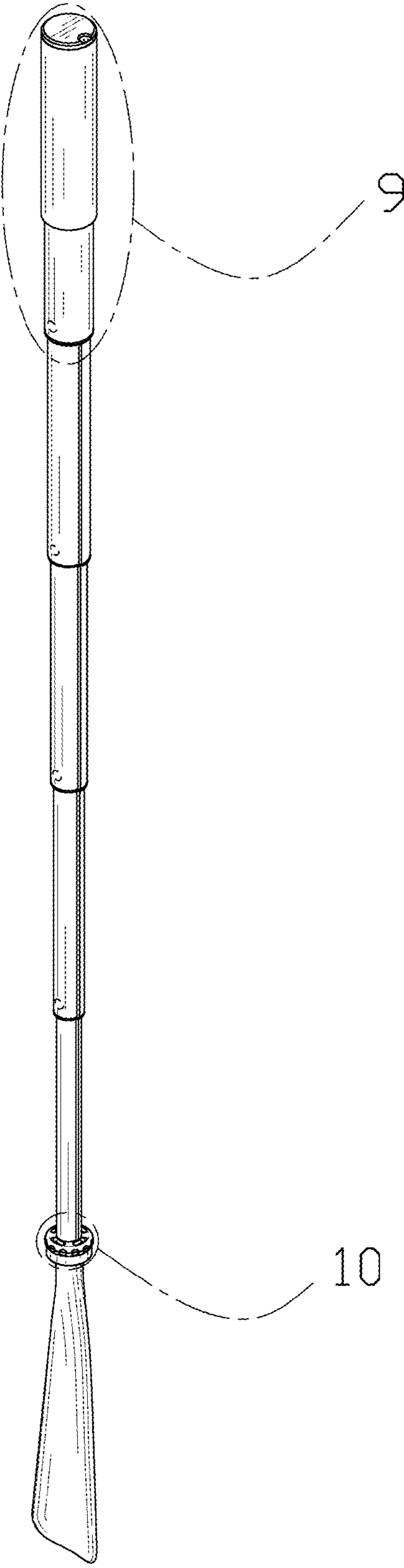


FIG. 1

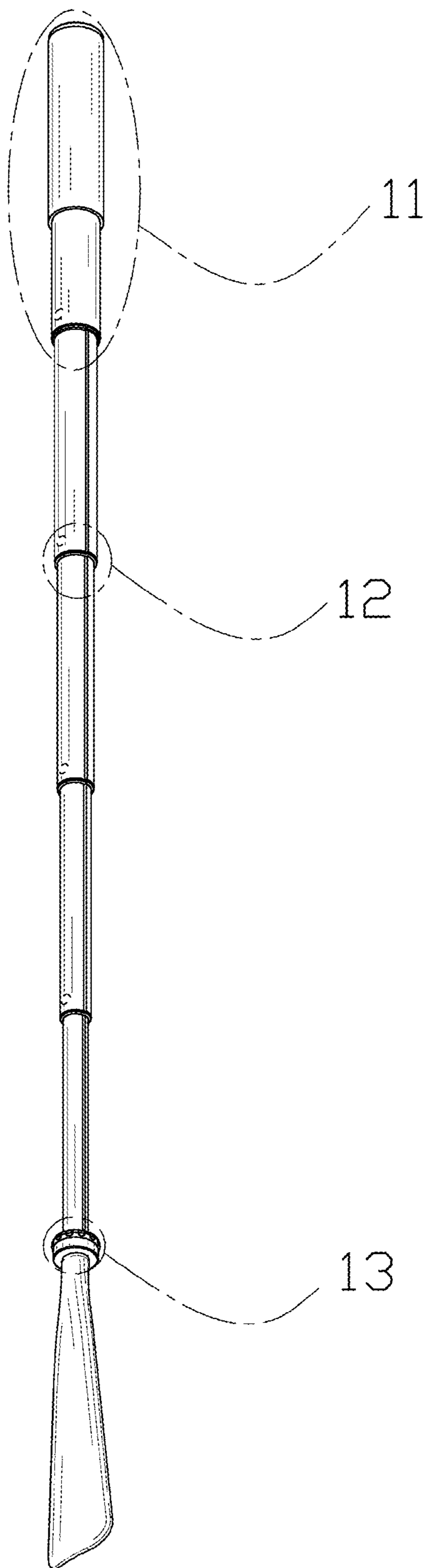


FIG. 2

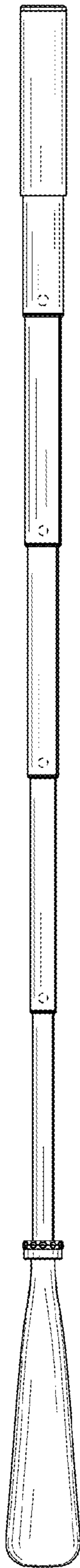


FIG. 3

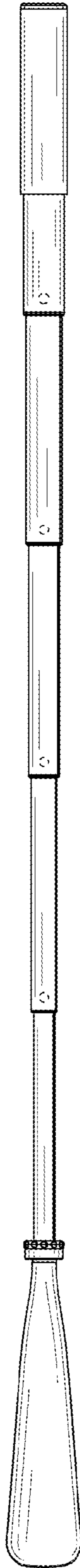


FIG. 4

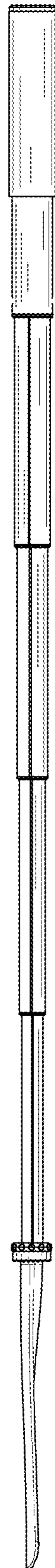


FIG. 5



FIG. 6

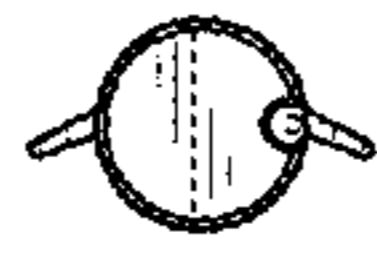


FIG. 7



FIG. 8

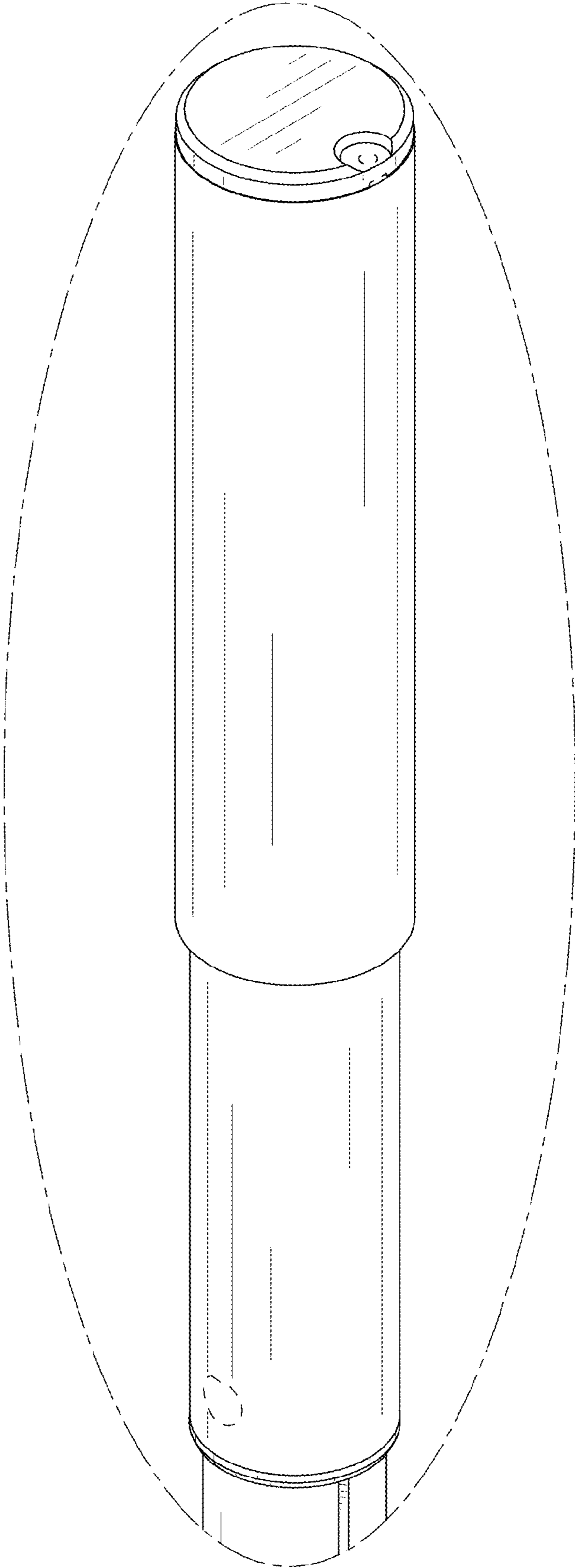


FIG. 9

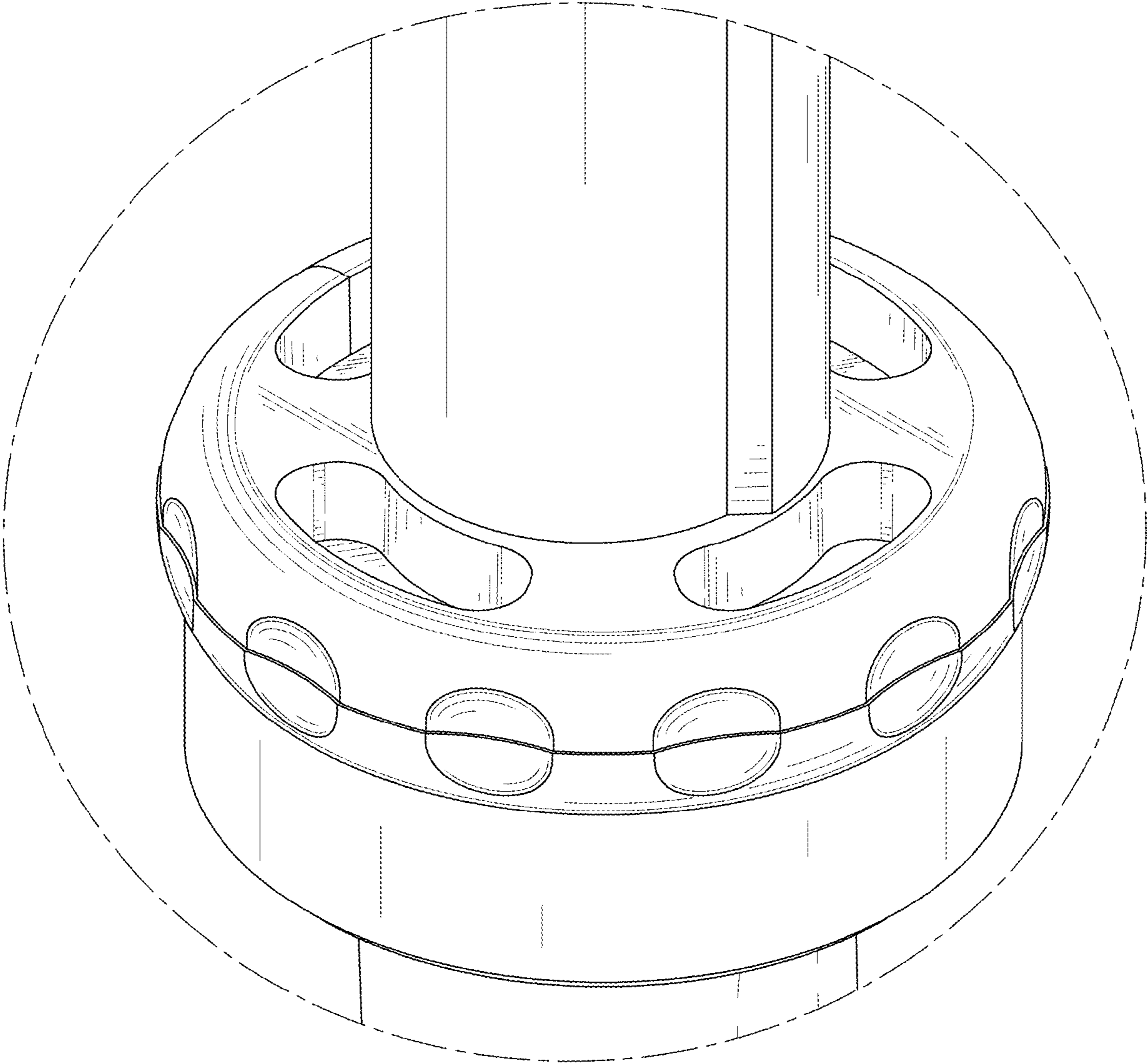


FIG. 10

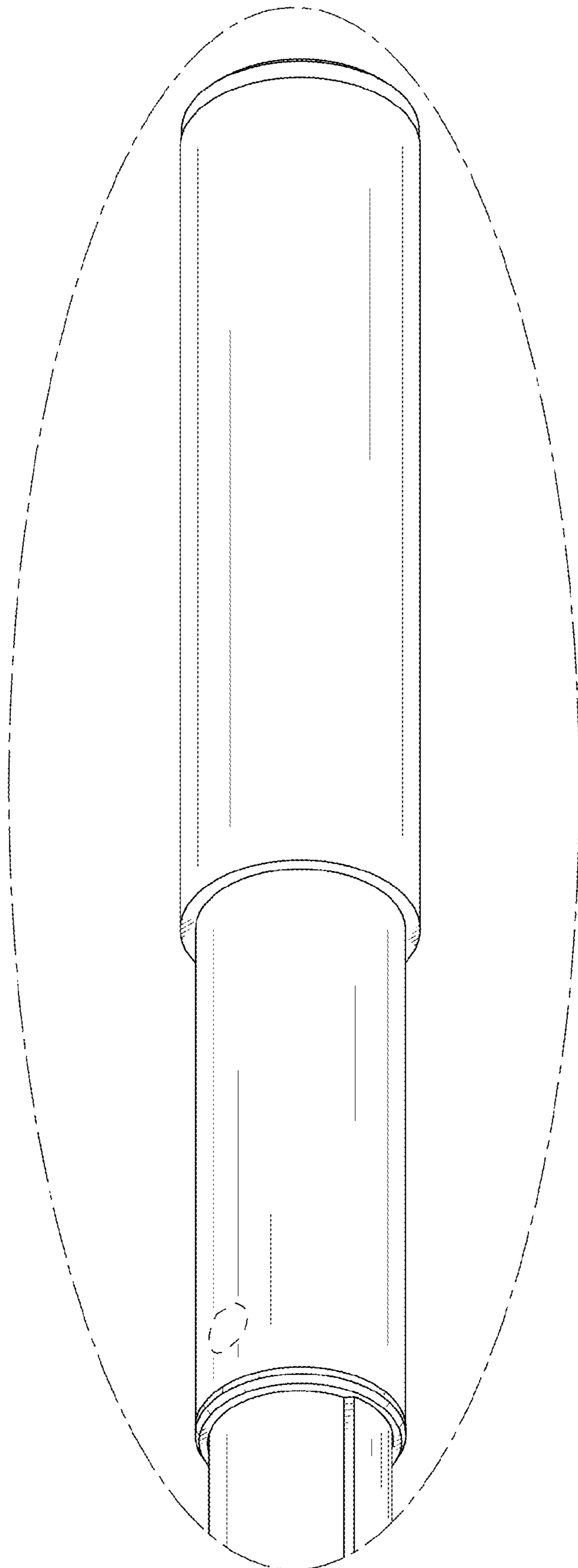


FIG. 11

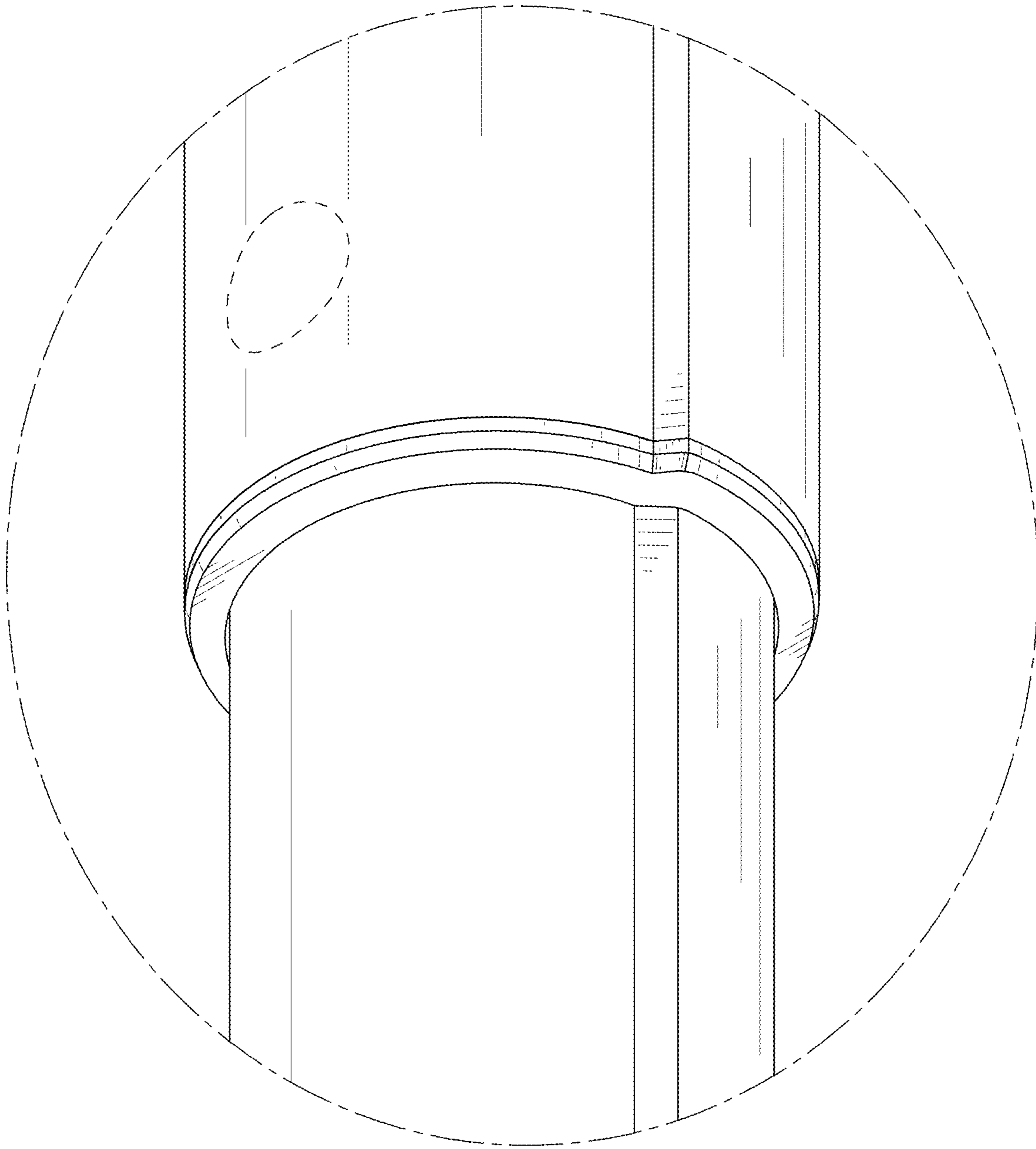


FIG. 12

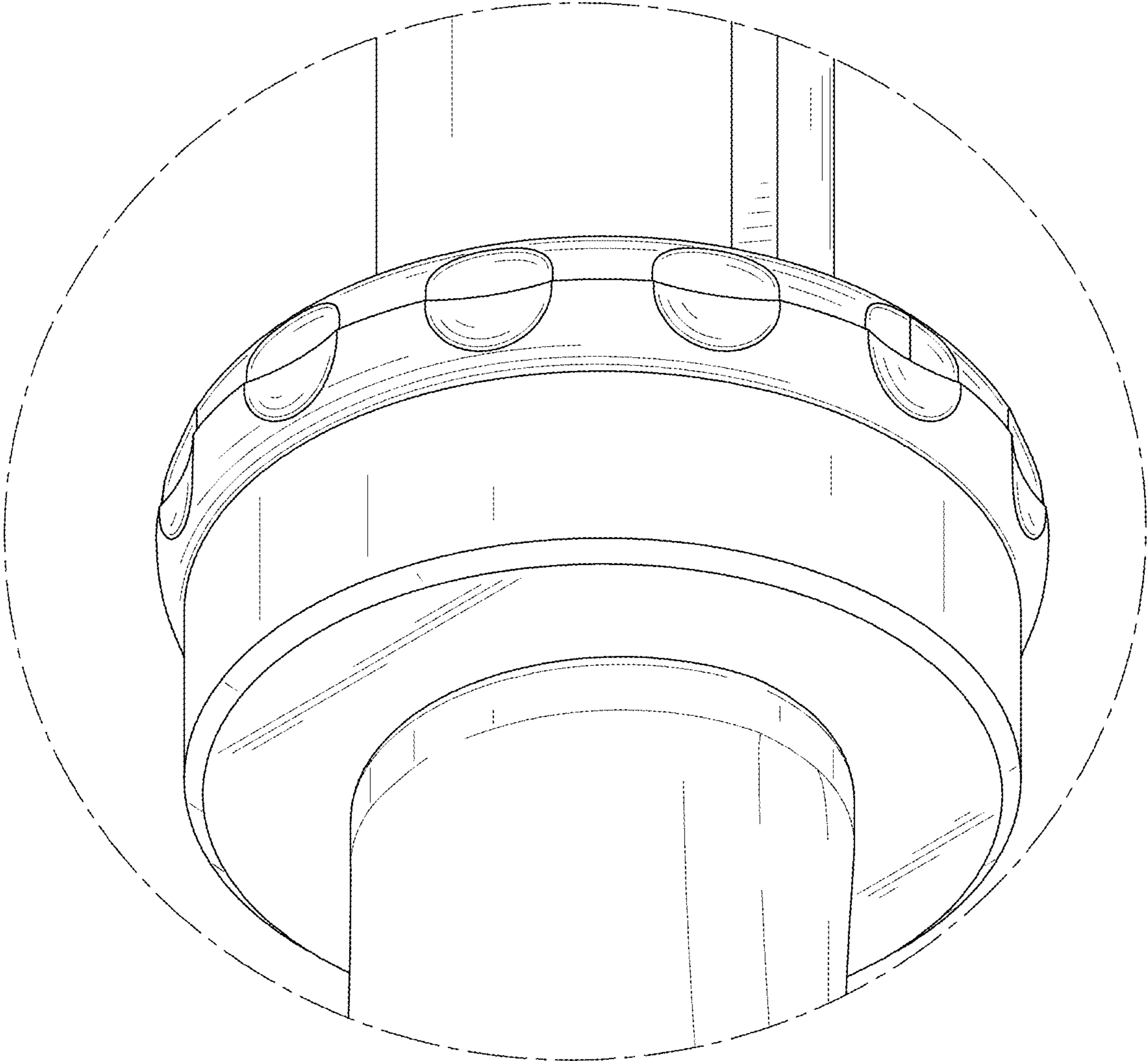


FIG. 13

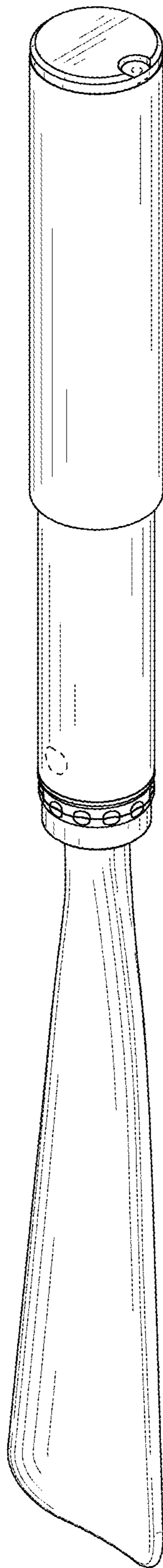


FIG. 14

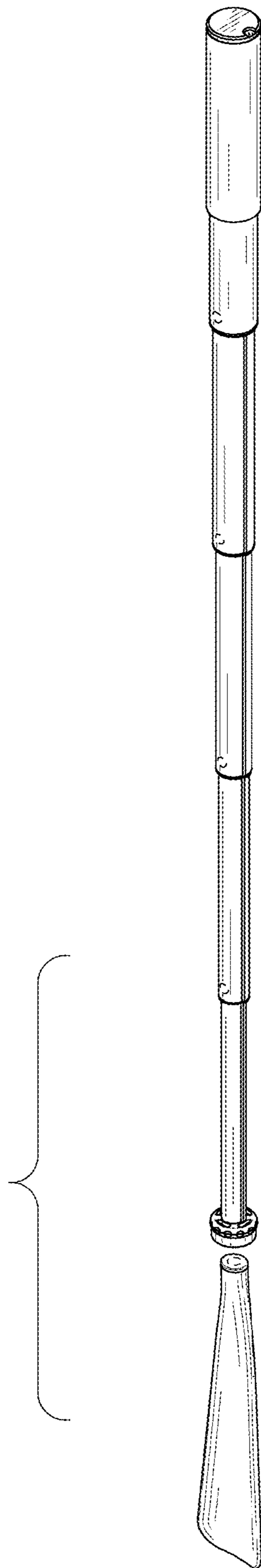


FIG. 15