



US00D965947S

(12) **United States Design Patent**
Lee

(10) **Patent No.:** **US D965,947 S**
(45) **Date of Patent:** **** Oct. 11, 2022**

- (54) **CONFECTION**
- (71) Applicant: **Ferrara Candy Company**, Chicago, IL (US)
- (72) Inventor: **Judy Jonhee Lee**, Highwood, IL (US)
- (73) Assignee: **FERRARA CANDY COMPANY**, Chicago, IL (US)
- (**) Term: **15 Years**
- (21) Appl. No.: **29/816,636**
- (22) Filed: **Nov. 23, 2021**

Related U.S. Application Data

- (63) Continuation of application No. 29/746,385, filed on Aug. 13, 2020, now Pat. No. Des. 936,331.
- (51) **LOC (13) Cl.** **01-01**
- (52) **U.S. Cl.**
USPC **D1/109**
- (58) **Field of Classification Search**
USPC D1/100–130, 199; 426/92, 94, 138, 143, 426/275, 277, 279, 281–284, 292, 295, 426/391, 496, 514, 566, 572, 660, 134, 426/104; 249/92; D8/83; D21/487, 578, D21/580; D4/104–106, 136; D15/199; D7/672, 675, 676
CPC A23G 3/50; A23G 3/563; A23G 9/503; A23G 9/26; A23G 9/48; A23G 3/54; A23P 1/005
See application file for complete search history.

(56) **References Cited**

U.S. PATENT DOCUMENTS

D61,484 S	9/1922	Steady
D290,146 S	6/1987	Horiuchi
D460,131 S	7/2002	Koshiishi
D470,551 S	2/2003	Lin

D486,191 S	*	2/2004	Robinson	D21/578
D486,927 S		2/2004	Yu		
D509,267 S	*	9/2005	Robinson	D21/594
D510,964 S	*	10/2005	Robinson	D21/594
D515,639 S	*	2/2006	Robinson	D21/578
D521,350 S		5/2006	Heller et al.		
D546,554 S		7/2007	Opolka		
D582,350 S		12/2008	Baker		
D623,914 S	*	9/2010	van der Lande	D8/38
D626,578 S	*	11/2010	Wiley	D15/199
D662,155 S	*	6/2012	Yu	D15/199
D662,315 S		6/2012	van der Lande		
D672,049 S		12/2012	van der Lande		
D684,636 S		6/2013	Chen		
D684,640 S		6/2013	Chen		
8,834,283 B2	*	9/2014	Byron	A63B 23/1272 473/69
D823,917 S	*	7/2018	Bernazeau	D21/578
D852,286 S	*	6/2019	Chen	D21/578
D873,859 S		1/2020	Anzures et al.		

(Continued)

Primary Examiner — Katie Jane Stofko

(74) *Attorney, Agent, or Firm* — McAndrews Held & Malloy, Ltd.

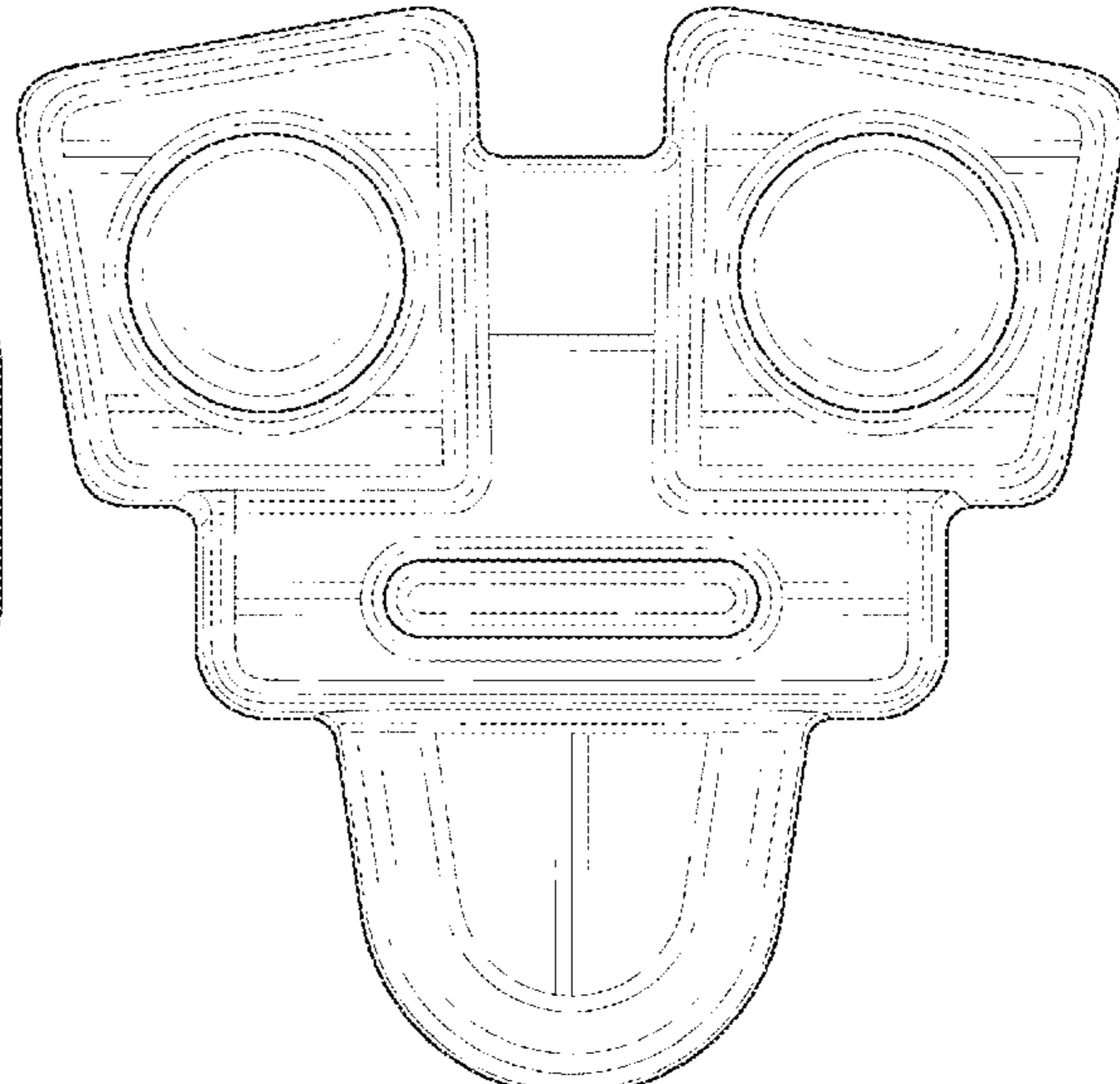
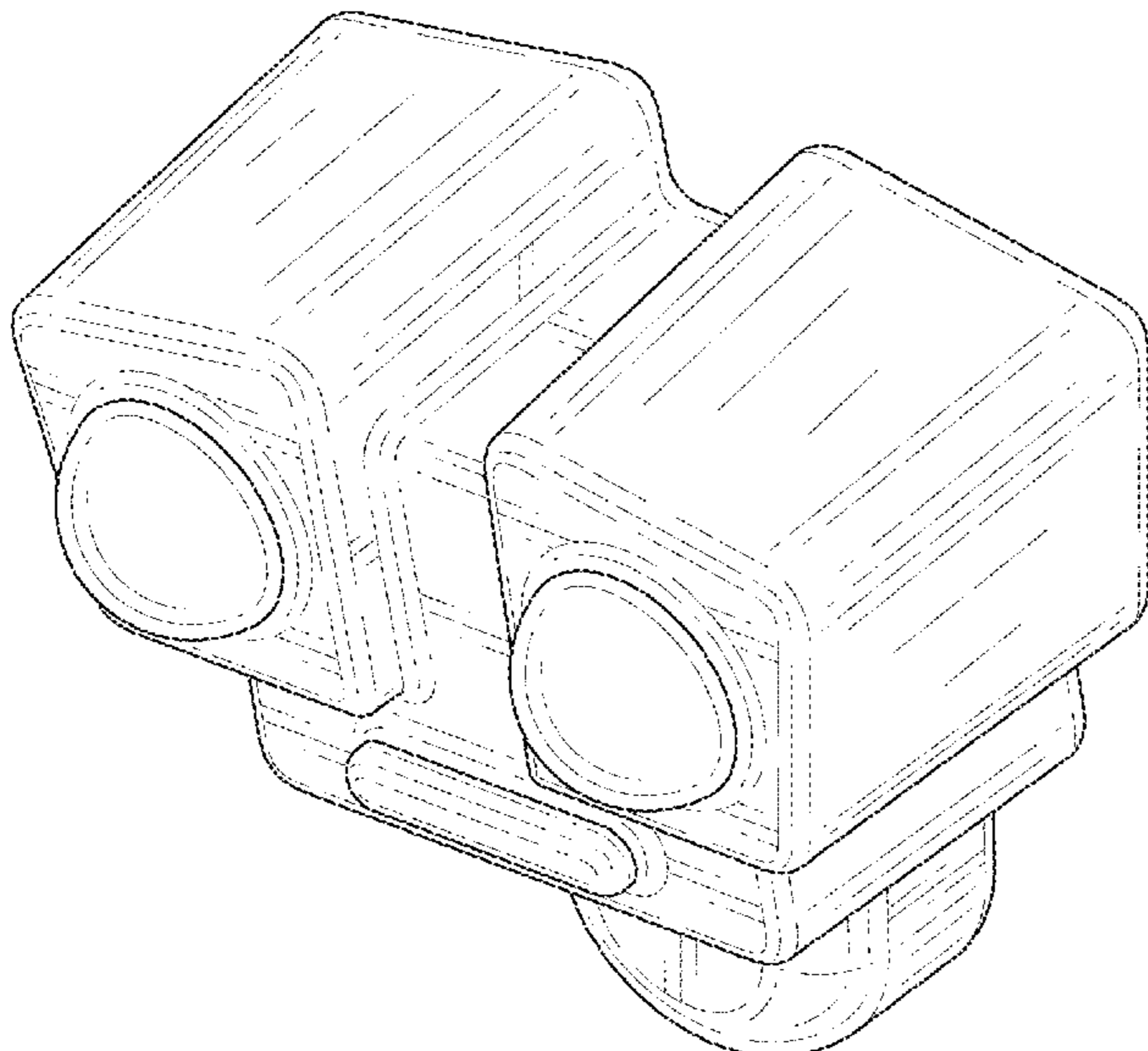
(57) **CLAIM**

The ornamental design for a confection, as shown and described.

DESCRIPTION

FIG. 1 is a front, top and right side perspective view of a confection showing my new design;
 FIG. 2 is a front elevation view thereof;
 FIG. 3 is a rear elevation view thereof;
 FIG. 4 is a left side elevation view thereof;
 FIG. 5 is a right side elevation view thereof;
 FIG. 6 is a top plan view thereof;
 FIG. 7 is a bottom plan view thereof; and,
 FIG. 8 is a rear, bottom and right side perspective view thereof.

1 Claim, 8 Drawing Sheets



(56)

References Cited

U.S. PATENT DOCUMENTS

D922,464 S * 6/2021 Xin D15/199
D936,331 S * 11/2021 Lee D1/109
2021/0045407 A1* 2/2021 Lee A23G 3/54

* cited by examiner

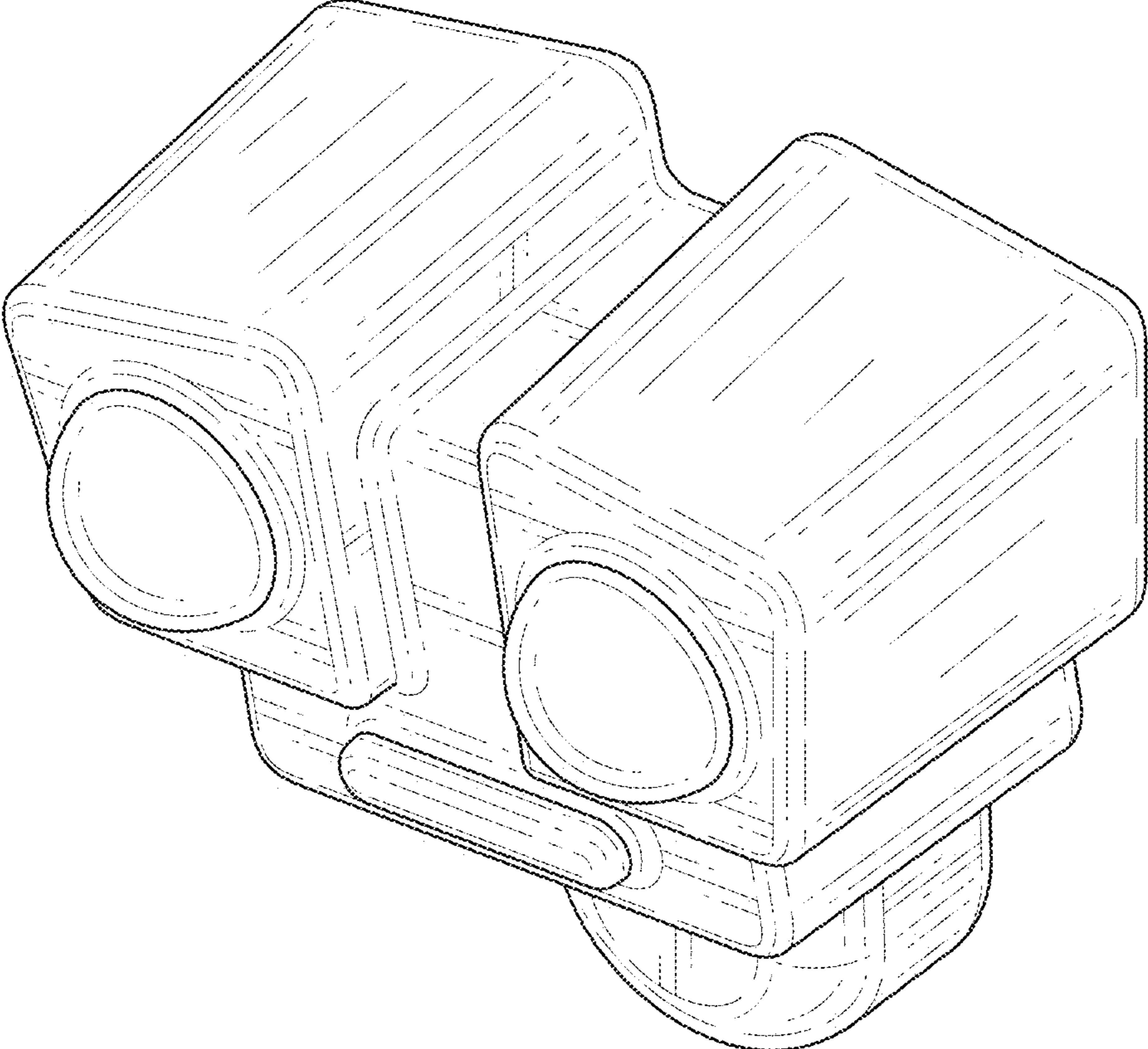


FIG. 1

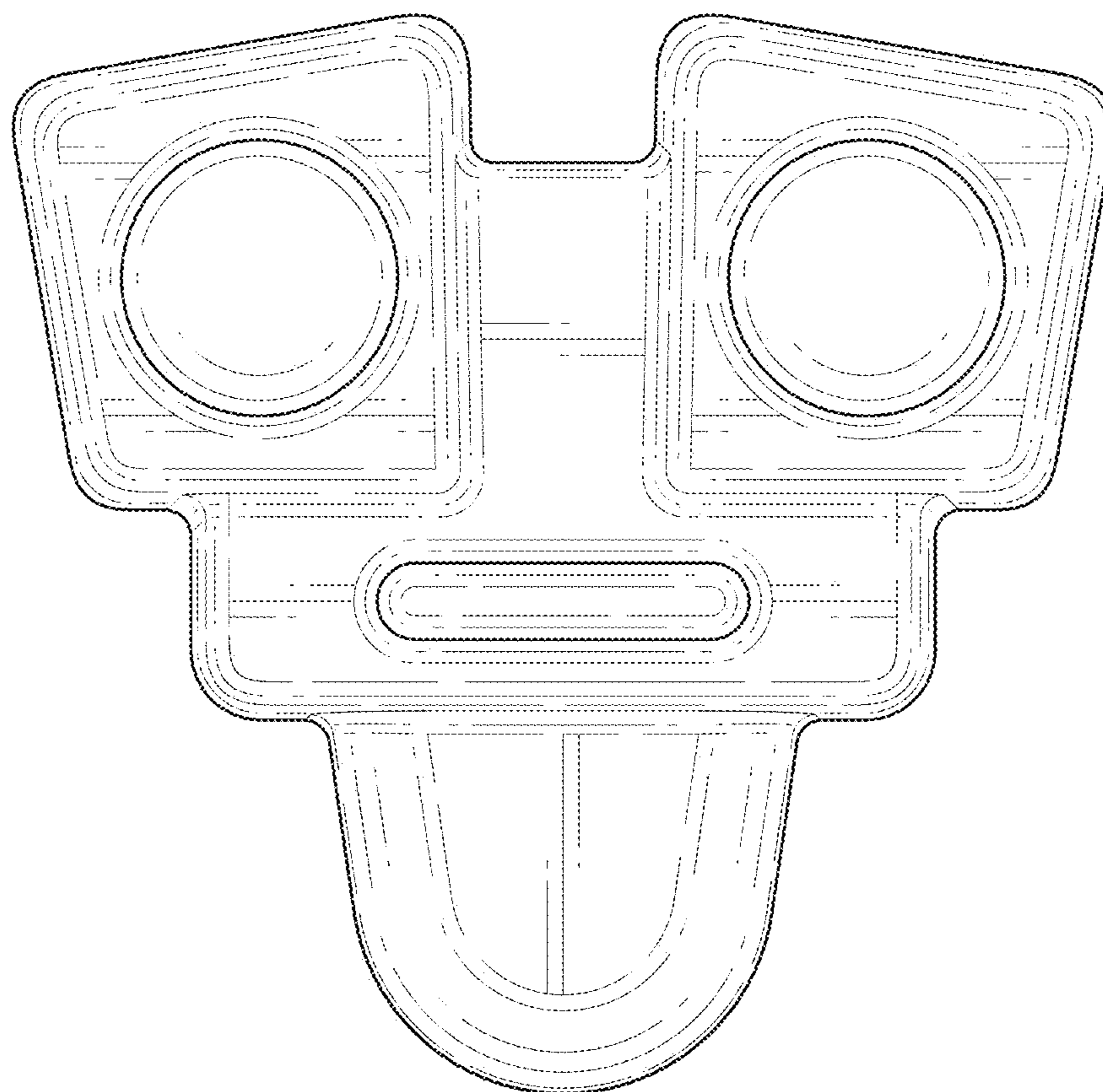


FIG. 2

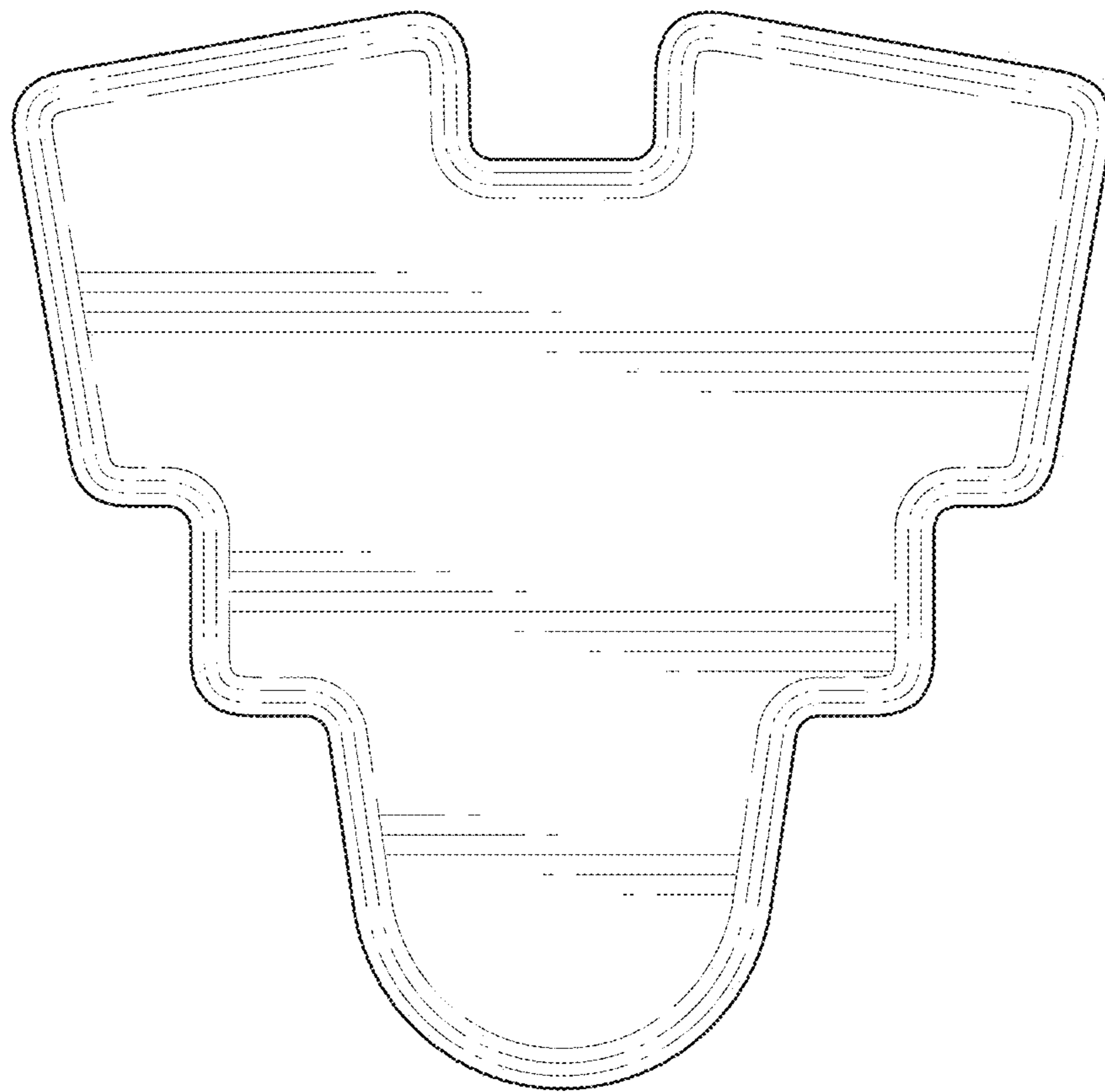


FIG. 3

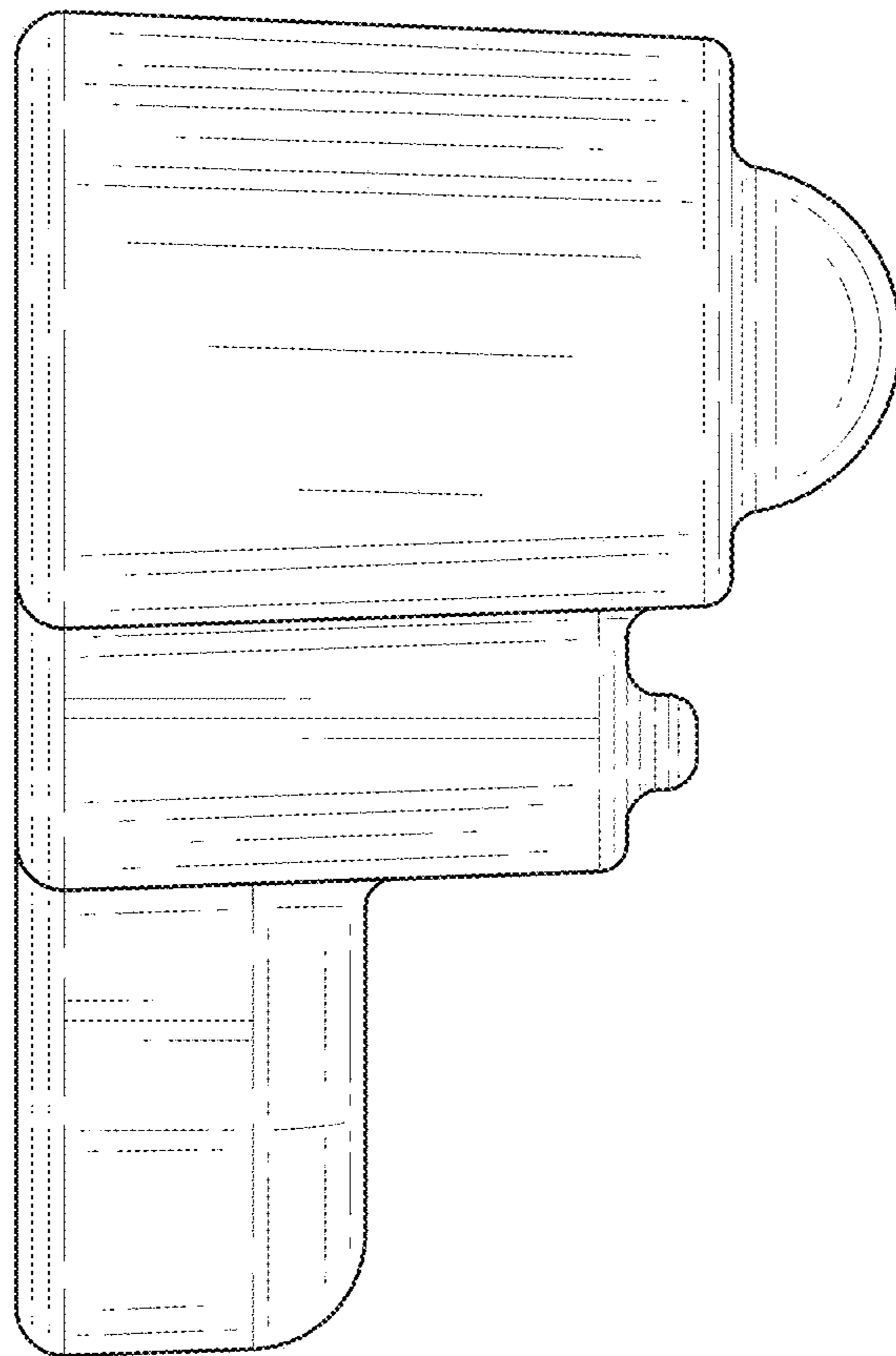


FIG. 4

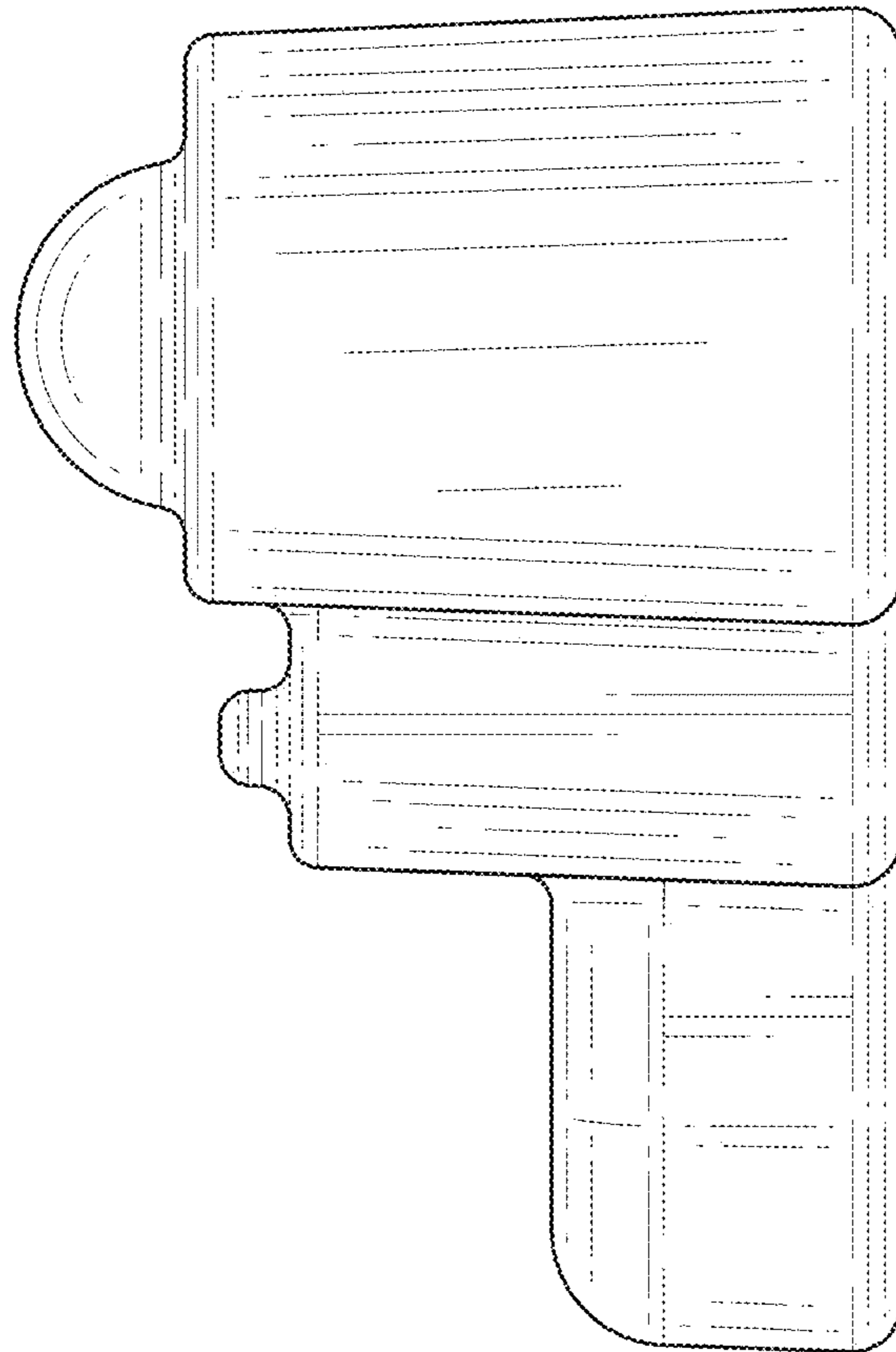


FIG. 5

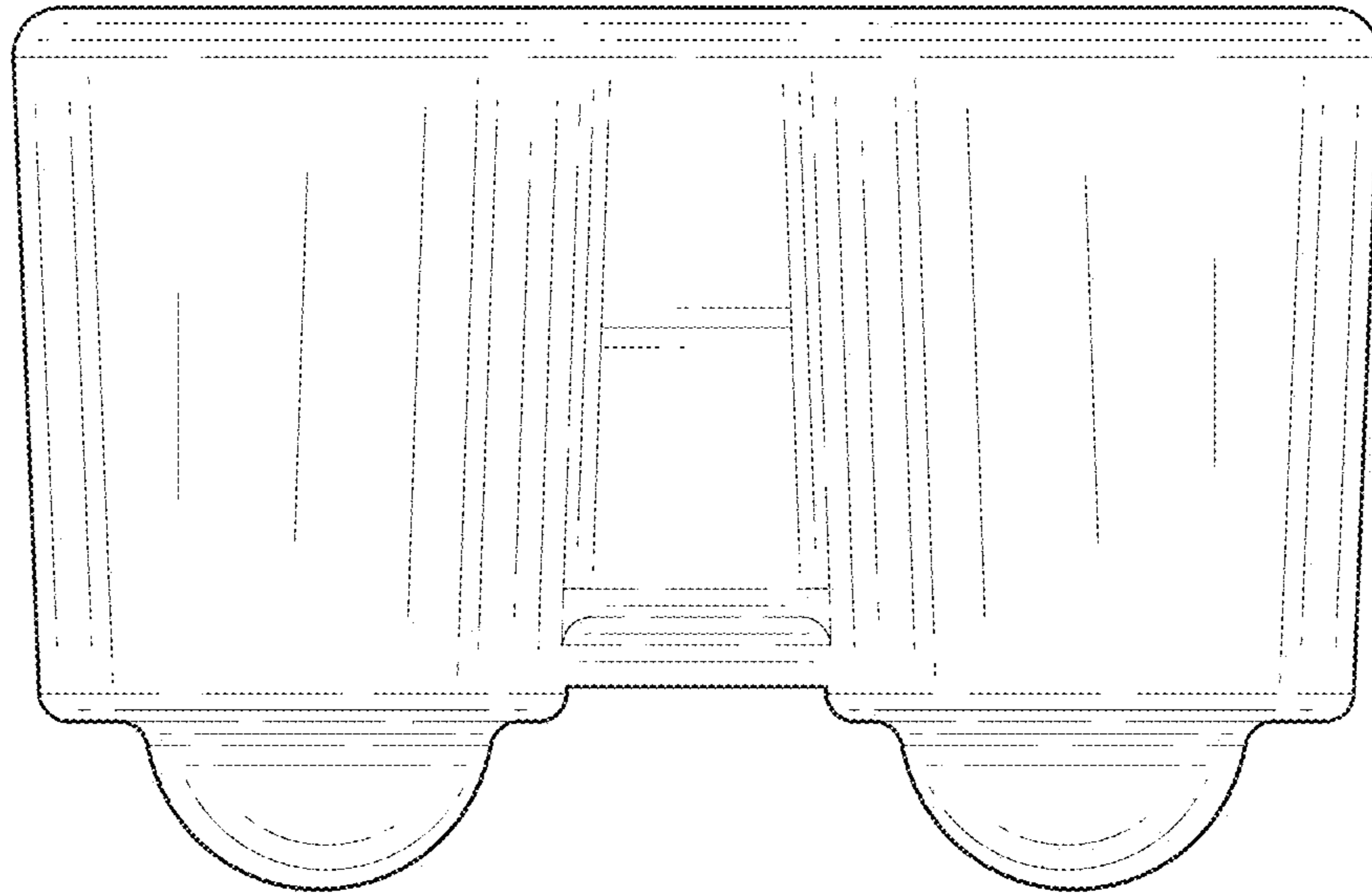


FIG. 6

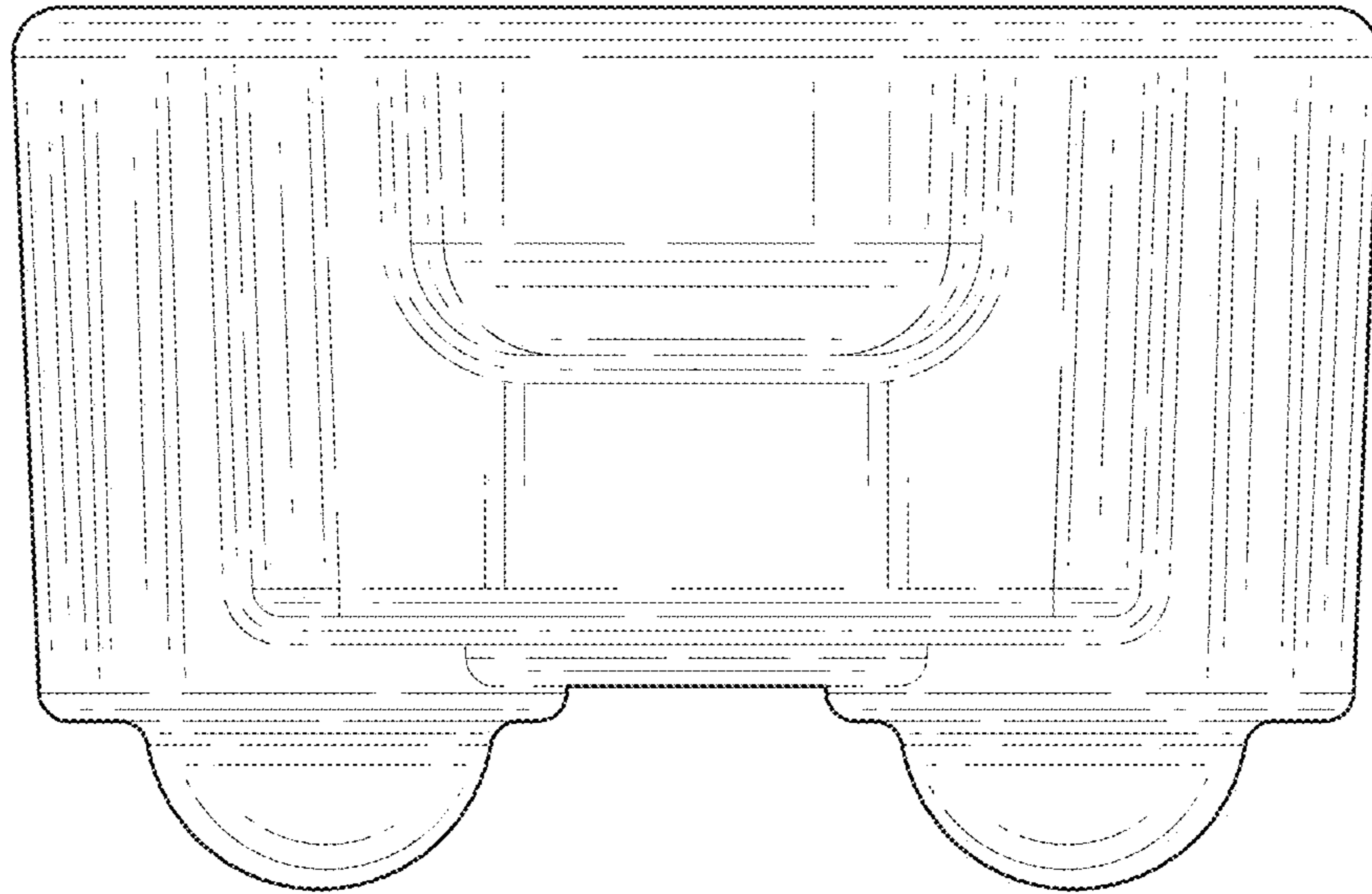


FIG. 7

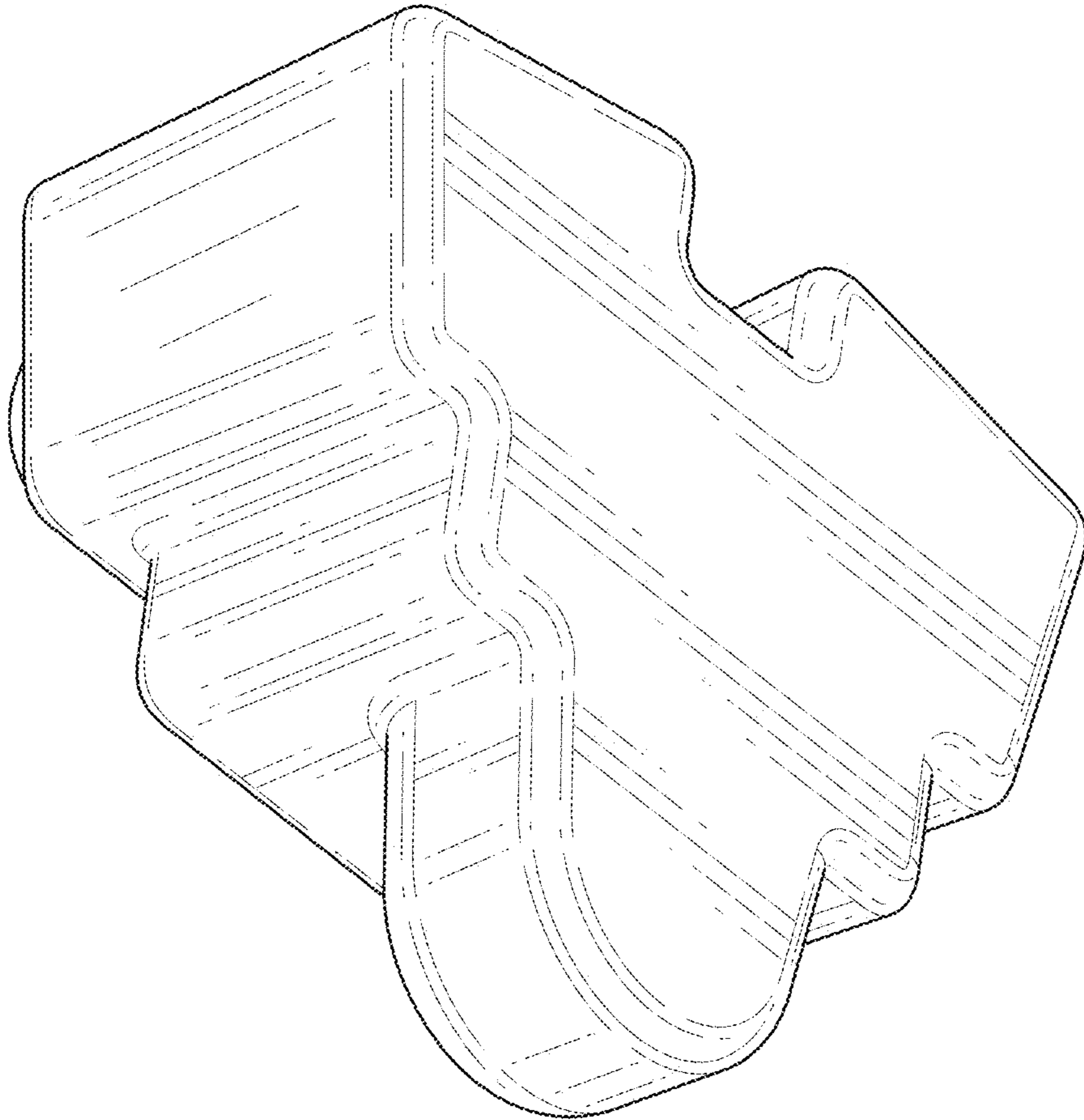


FIG. 8