



US00D965944S

(12) **United States Design Patent** (10) **Patent No.:** **US D965,944 S**
Brown (45) **Date of Patent:** **** Oct. 4, 2022**

(54) **TRIKE CADDY**

(71) Applicant: **Raymond D. Brown**, Tulsa, OK (US)

(72) Inventor: **Raymond D. Brown**, Tulsa, OK (US)

(**) Term: **15 Years**

(21) Appl. No.: **29/763,314**

(22) Filed: **Dec. 22, 2020**

(51) **LOC (13) Cl.** **12-05**

(52) **U.S. Cl.**
USPC **D34/28**

(58) **Field of Classification Search**
USPC D34/28-35; D21/765, 817
CPC B66F 7/243; B66F 7/246; B66F 7/0625;
A63C 17/015; A63C 17/26
See application file for complete search history.

(56) **References Cited**

U.S. PATENT DOCUMENTS

D246,198 S *	10/1977	Rose	D21/426
D347,503 S *	5/1994	Wallace	D34/28
D360,514 S *	7/1995	Collingridge	D34/23
D463,648 S *	9/2002	Johnson	D34/12
D592,823 S *	5/2009	Weger	D34/33
D701,929 S *	4/2014	Ansah	D21/765
D766,780 S *	9/2016	Fusco	D21/426
D874,572 S *	2/2020	Radecki	D34/24

D911,659 S *	2/2021	Robinson	D34/28
2003/0216102 A1 *	11/2003	Reisher	A63H 18/00 446/444
2017/0203943 A1 *	7/2017	Winston	B66F 7/246

* cited by examiner

Primary Examiner — George A Bugg
Assistant Examiner — Tamara L Hahn

(74) *Attorney, Agent, or Firm* — Dennis Brown; Brown Patent Law, P.L.L.C.

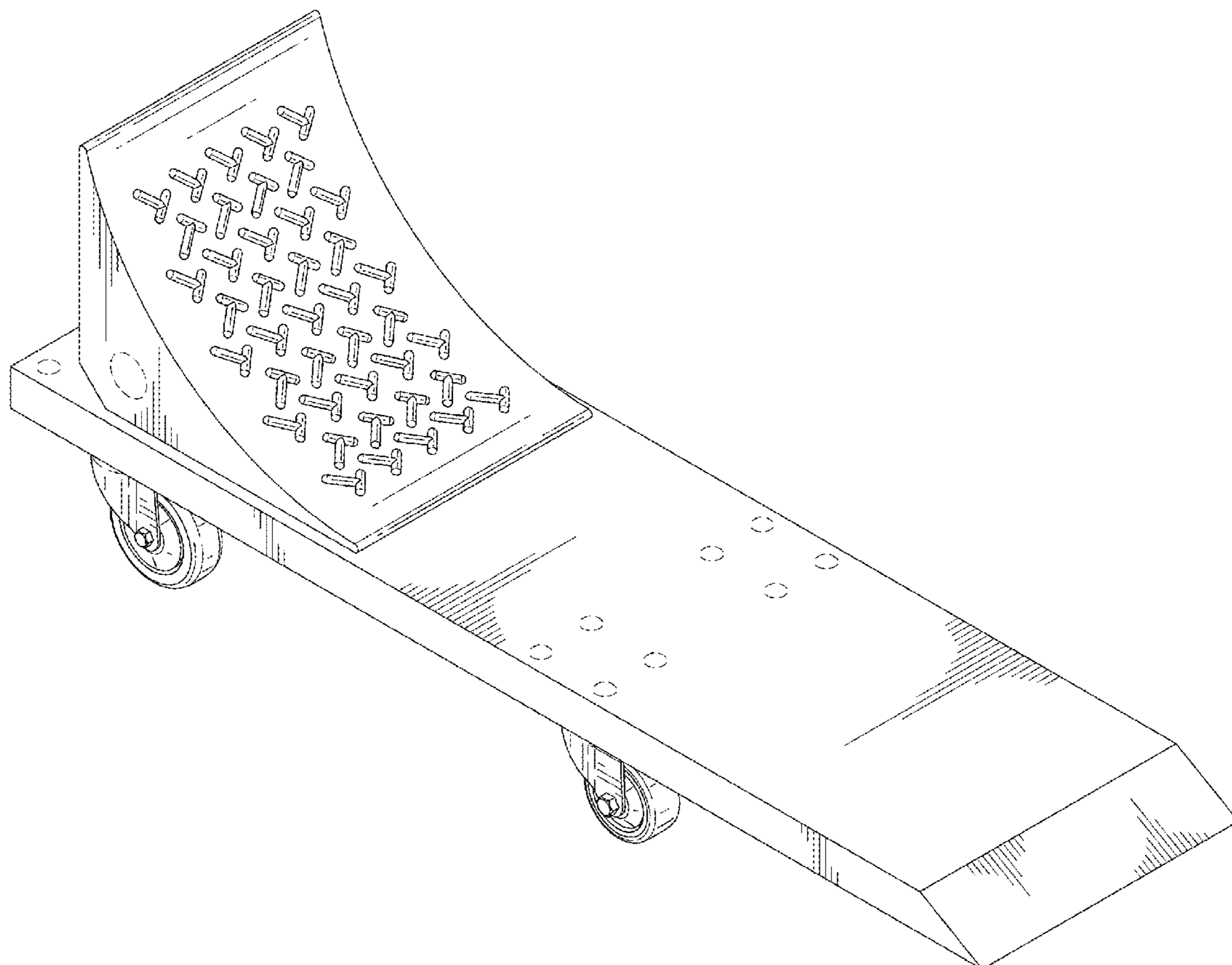
(57) **CLAIM**

The ornamental design of the trike caddy, as shown and described.

DESCRIPTION

FIG. 1 is a top perspective view of the trike caddy, showing my new design.
FIG. 2 is a front elevational view thereof.
FIG. 3 is a rear elevational view thereof.
FIG. 4 is an elevational right side view thereof.
FIG. 5 is an elevational left side view thereof.
FIG. 6 is a top plan view thereof.
FIG. 7 is a bottom view thereof; and,
FIG. 8 is a bottom perspective view of the trike caddy, showing my new design.
The broken lines in the drawings depict portions of the Trike Caddy that form no part of the claimed design.

1 Claim, 5 Drawing Sheets



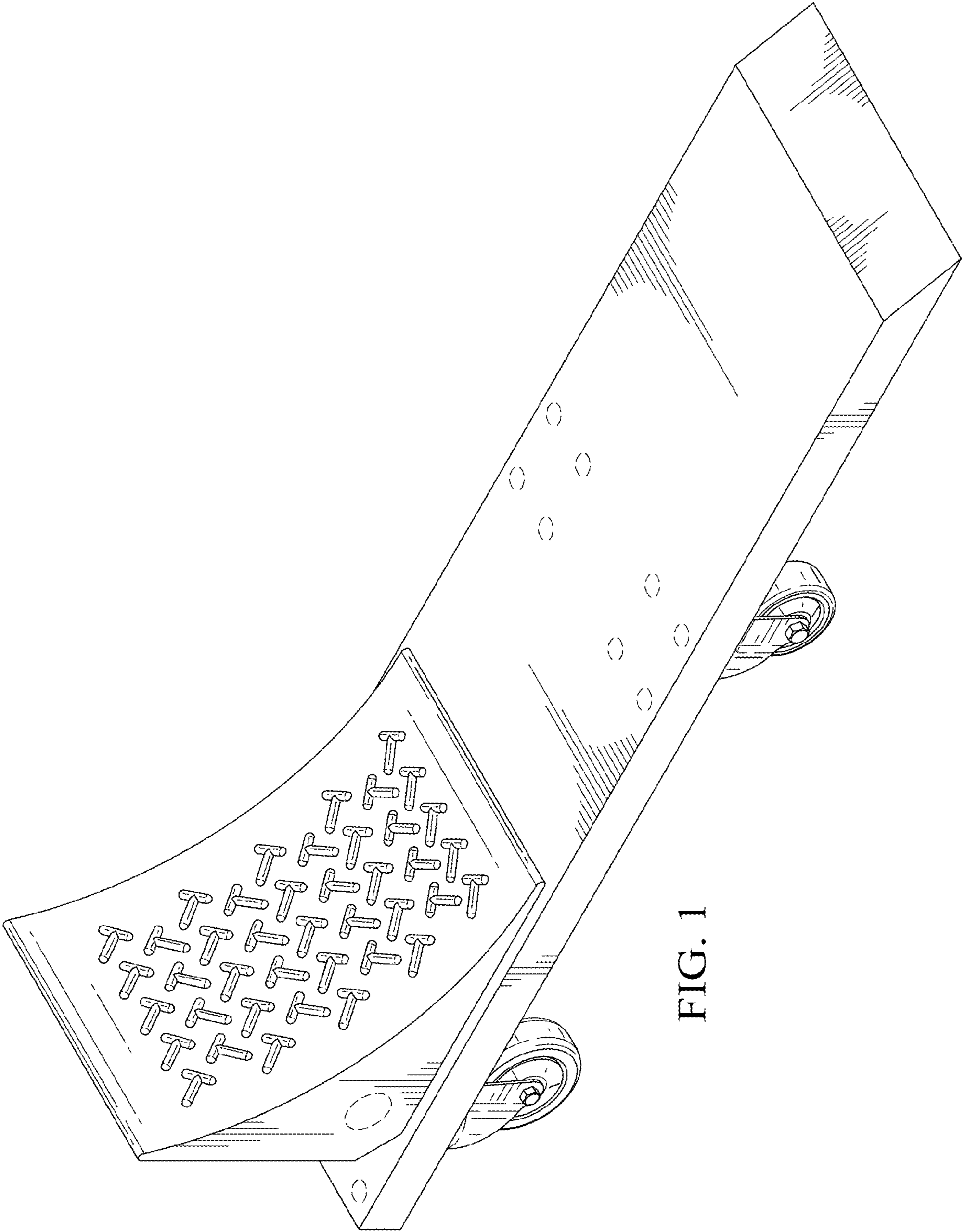


FIG. 1

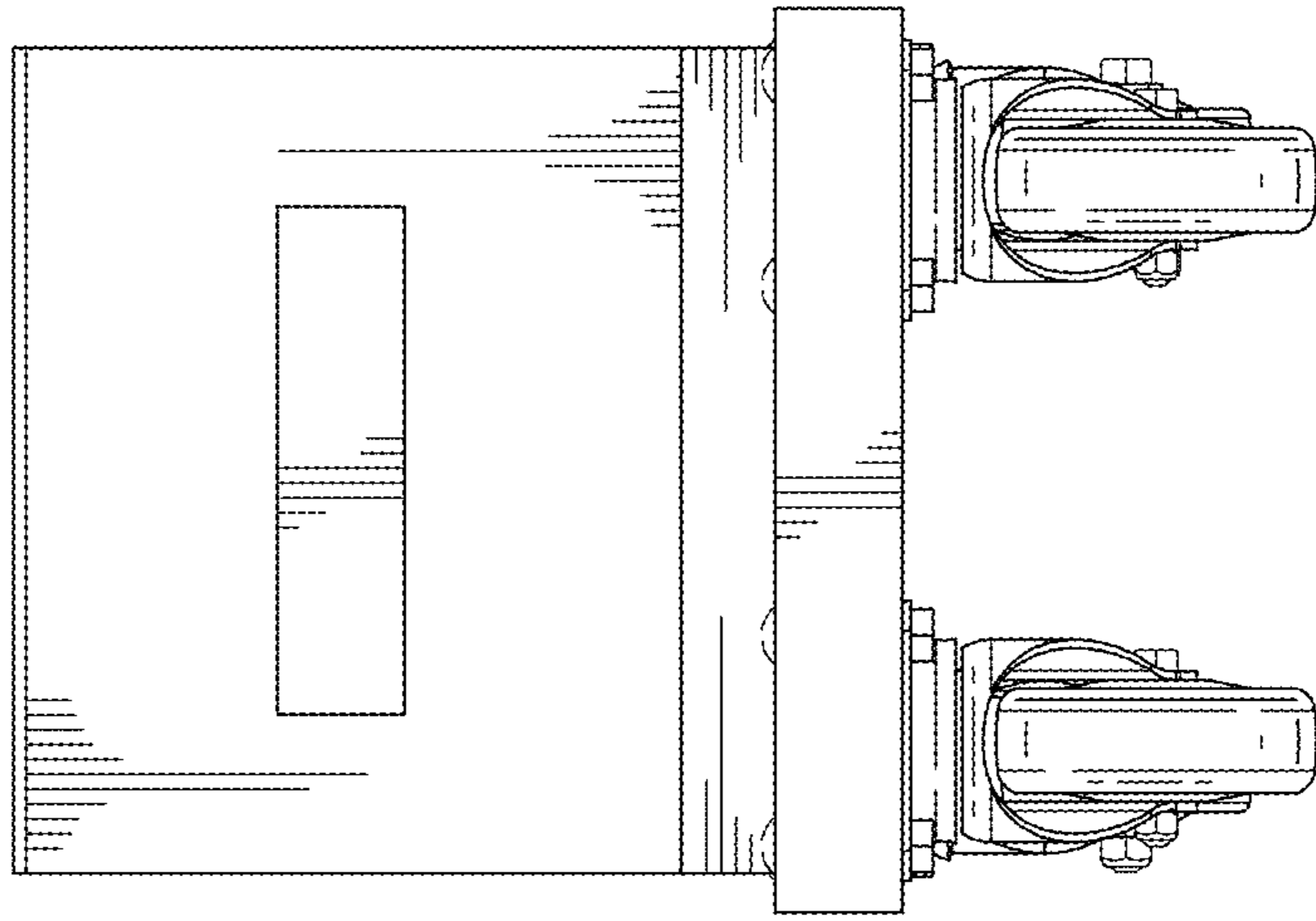


FIG. 2

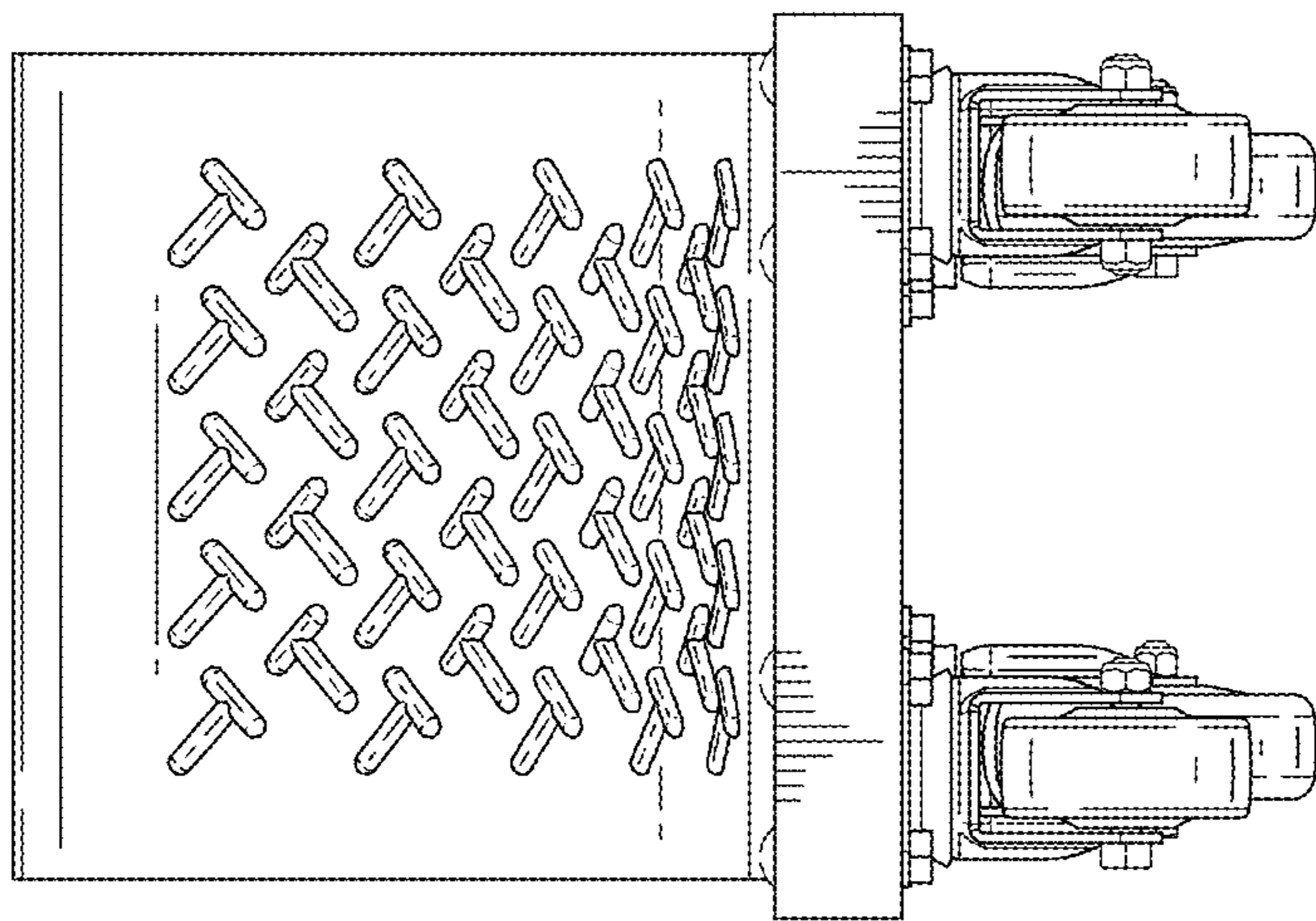
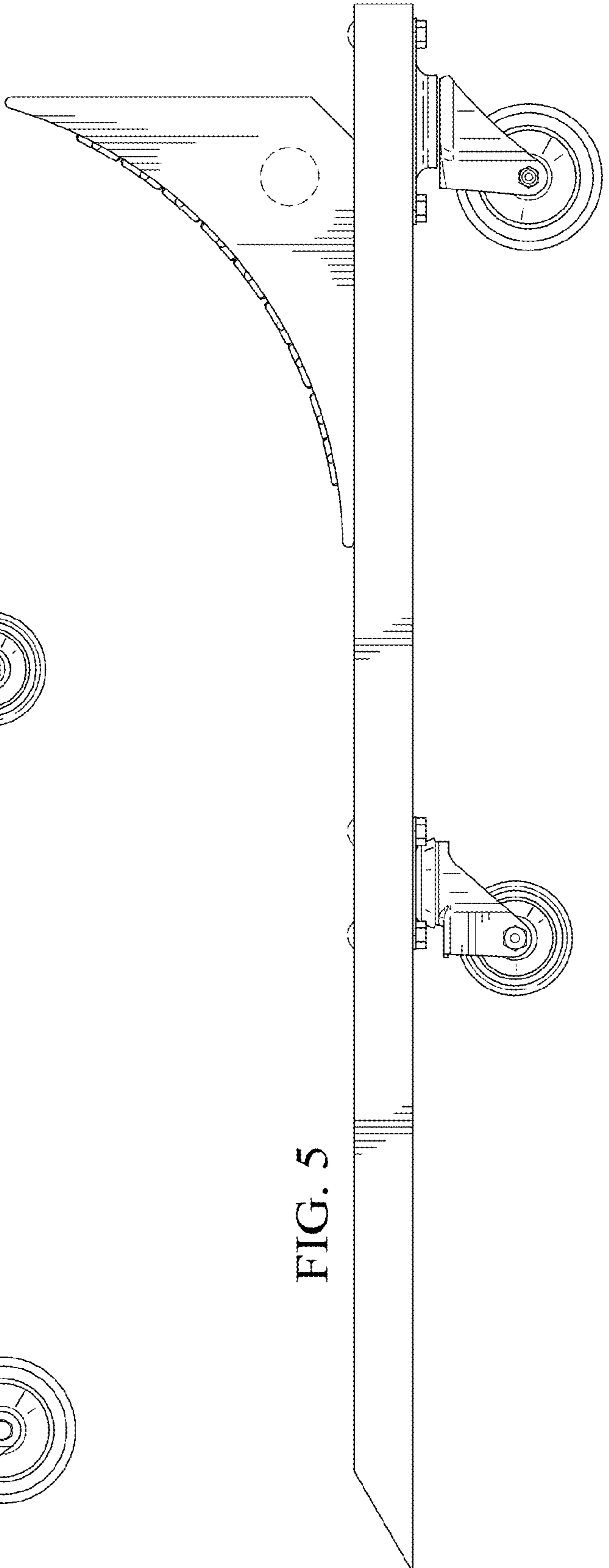
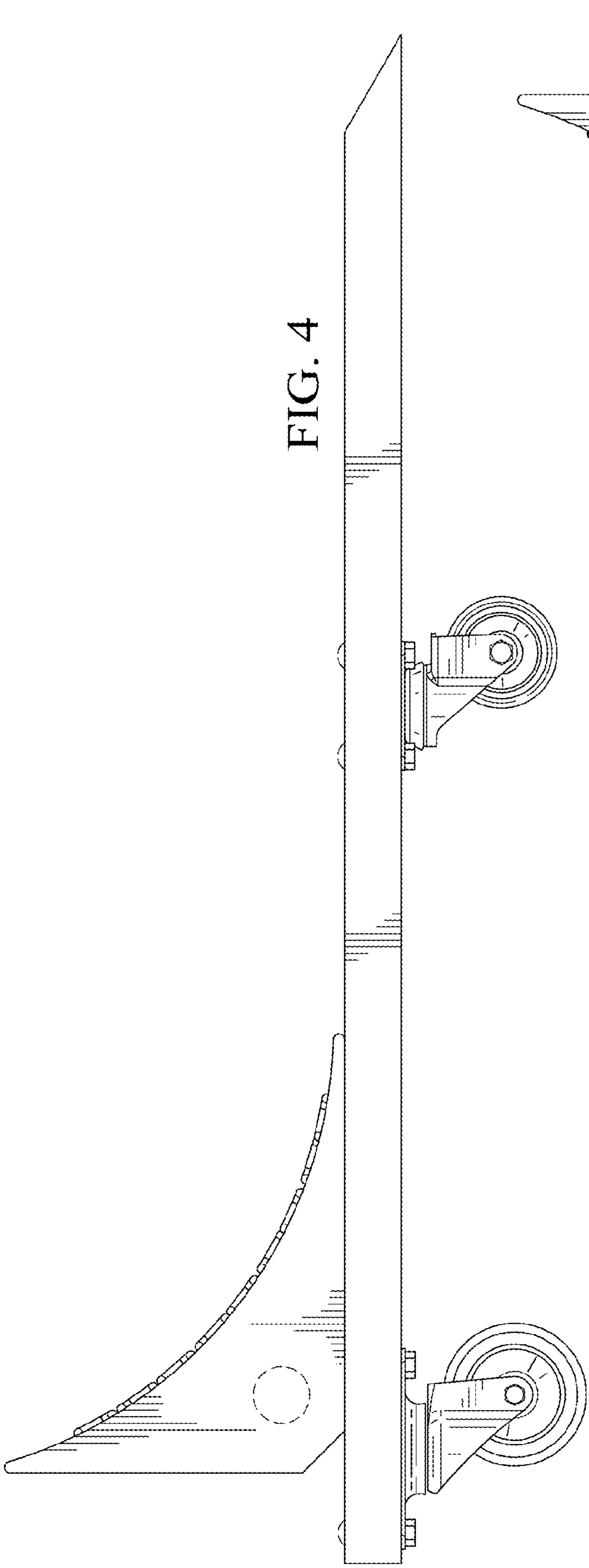


FIG. 3



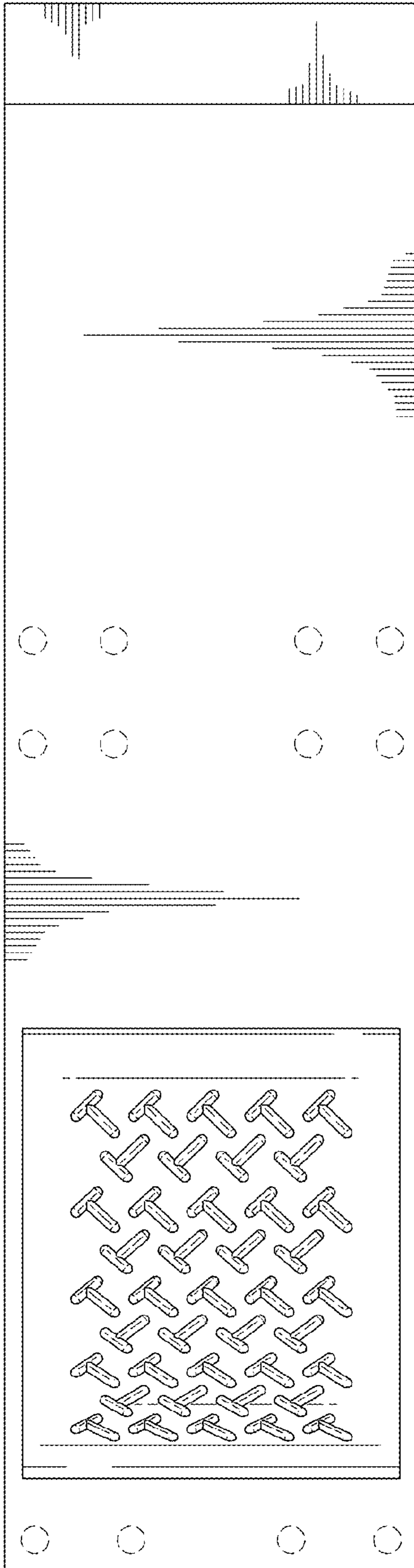


FIG. 6

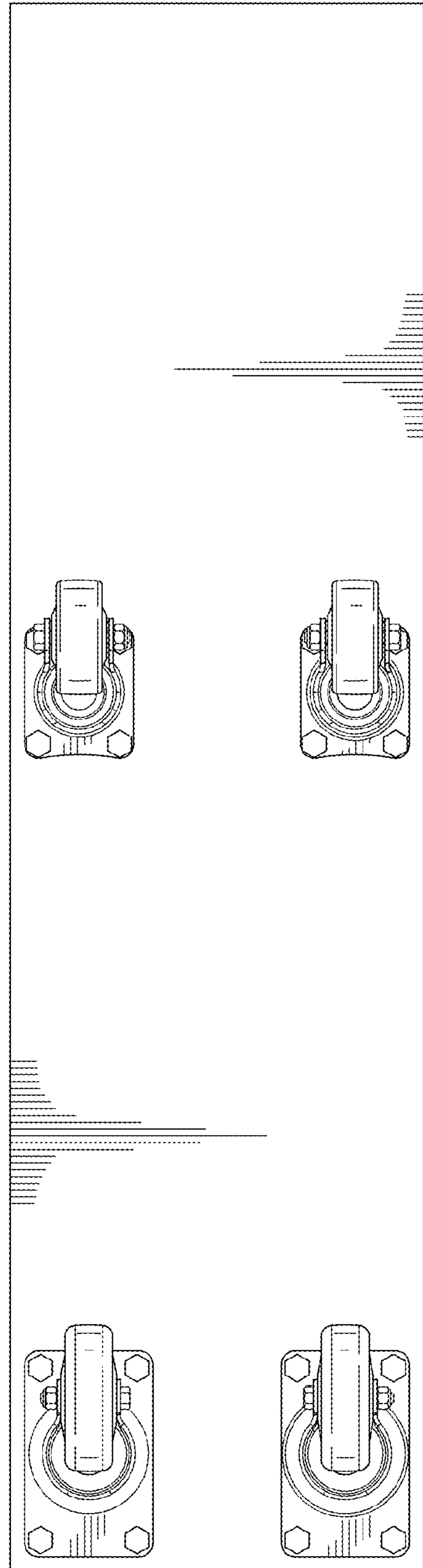


FIG. 7

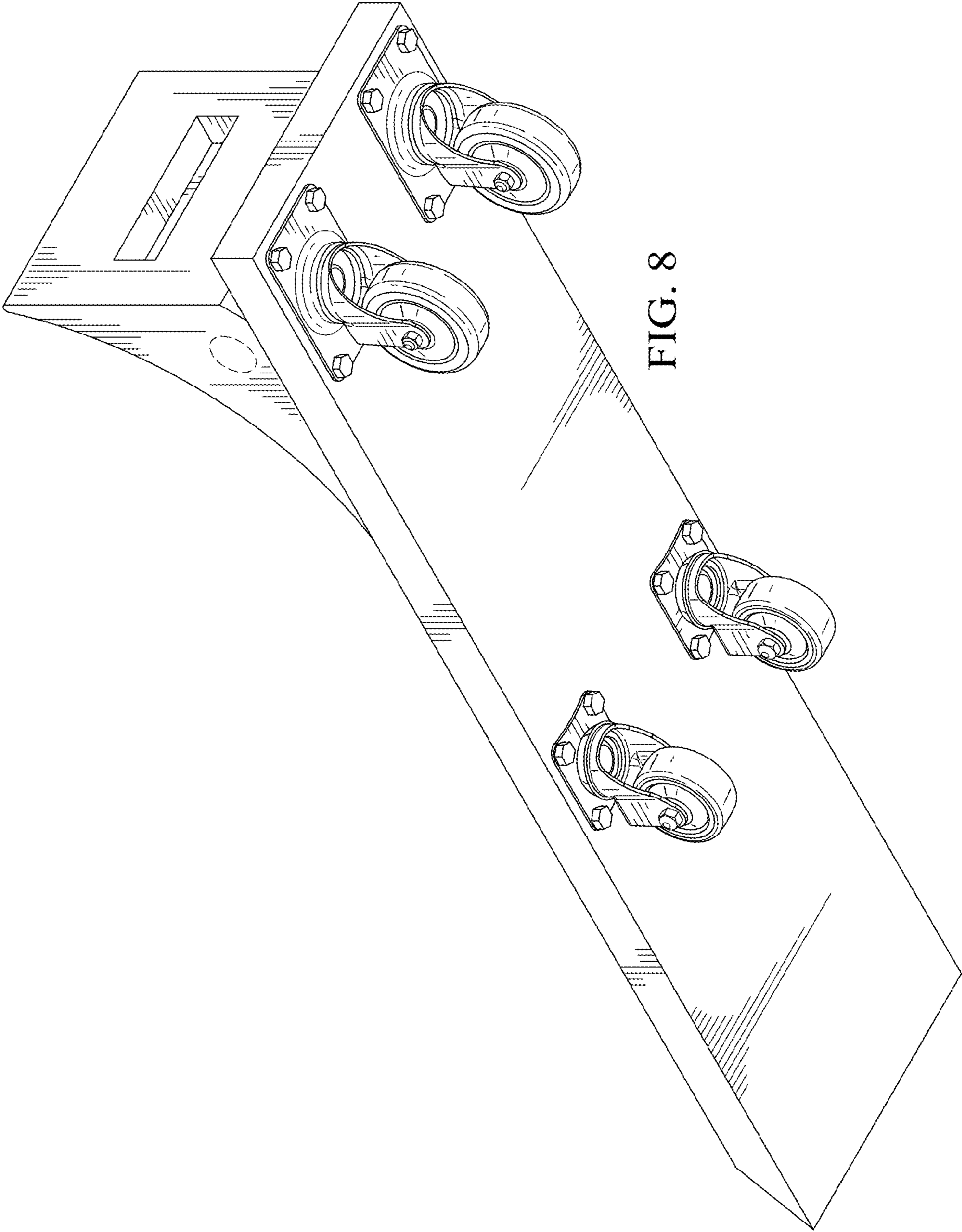


FIG. 8