



US00D965943S

(12) **United States Design Patent** (10) **Patent No.:** **US D965,943 S**  
**Hu** (45) **Date of Patent:** **\*\* Oct. 4, 2022**

(54) **VEHICLE REPAIR SEAT**  
(71) Applicant: **Qingdao Runbell Co., Ltd., Shandong (CN)**  
(72) Inventor: **Lijun Hu, Shandong (CN)**  
(73) Assignee: **Qingdao Runbell Co., Ltd., Shandong (CN)**

D414,305 S \* 9/1999 Rohn ..... D32/31  
D420,188 S \* 2/2000 Betcher ..... D15/150  
D428,367 S \* 7/2000 Lundh ..... D12/133  
6,866,274 B1 \* 3/2005 Muscat ..... B62B 1/268  
280/47.131  
D551,823 S \* 9/2007 Wentz ..... D34/23  
D720,912 S \* 1/2015 Bruch ..... D34/23  
D725,337 S \* 3/2015 Lentine ..... D34/23  
D733,386 S \* 6/2015 Della Polla ..... D34/23  
D908,443 S \* 1/2021 Bell ..... D7/605  
2008/0174080 A1 \* 7/2008 Lewis ..... B62B 5/0083  
280/33.991

(\*\*) Term: **15 Years**

\* cited by examiner

(21) Appl. No.: **29/703,168**

*Primary Examiner* — Cynthia Ramirez

(22) Filed: **Aug. 25, 2019**

(74) *Attorney, Agent, or Firm* — Houtteman Law LLC

(51) **LOC (13) Cl.** ..... **12-02**

(57) **CLAIM**

(52) **U.S. Cl.**  
USPC ..... **D34/23**

The ornamental design for a vehicle repair seat, as shown and described.

(58) **Field of Classification Search**  
USPC ..... D34/23, 24; D32/31  
CPC .... B62B 5/00; B62B 1/18; B62B 1/26; B62B 3/02; B62B 3/025; B62B 3/027; B62B 2202/10

**DESCRIPTION**

See application file for complete search history.

FIG. 1 is a perspective view of a vehicle repair seat showing my new design;  
FIG. 2 is a top view of the vehicle repair seat shown in FIG. 1;  
FIG. 3 is a bottom view of the vehicle repair seat shown in FIG. 1;  
FIG. 4 is a left side view of the vehicle repair seat shown in FIG. 1; and,  
FIG. 5 is a front side view of the vehicle repair seat shown in FIG. 1.

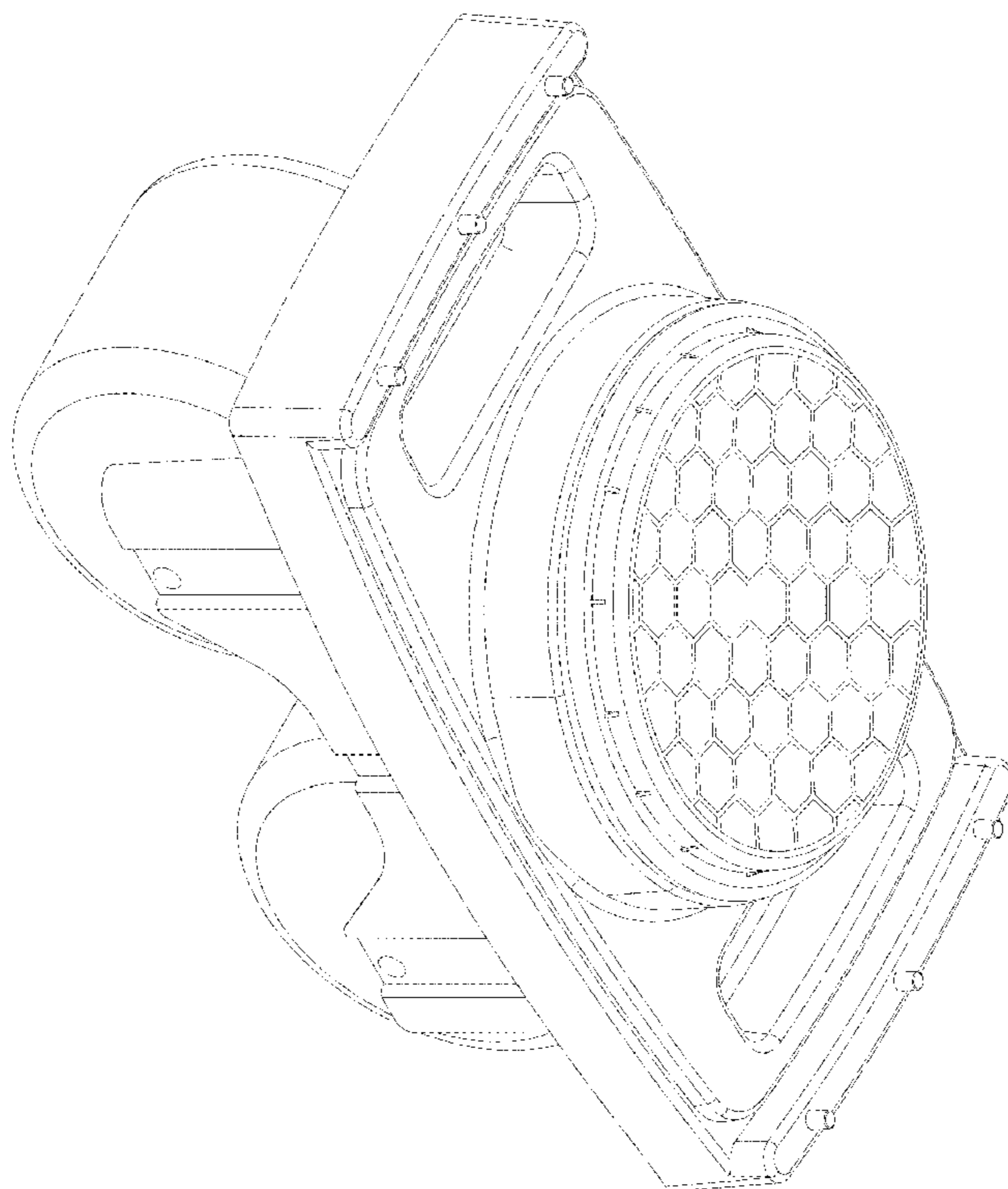
The broken lines in the figures shown portions of the vehicle repair seat, which form no part of the claimed design.

(56) **References Cited**

**U.S. PATENT DOCUMENTS**

D256,902 S \* 9/1980 Maza ..... D34/23  
D257,721 S \* 12/1980 Maza ..... D34/23  
D257,767 S \* 1/1981 Maza ..... D34/23  
D257,823 S \* 1/1981 Maza ..... D34/23  
D263,820 S \* 4/1982 Levenberg ..... D34/23  
D327,557 S \* 6/1992 Juergens ..... D34/11  
D328,172 S \* 7/1992 Juergens ..... D34/10

**1 Claim, 5 Drawing Sheets**



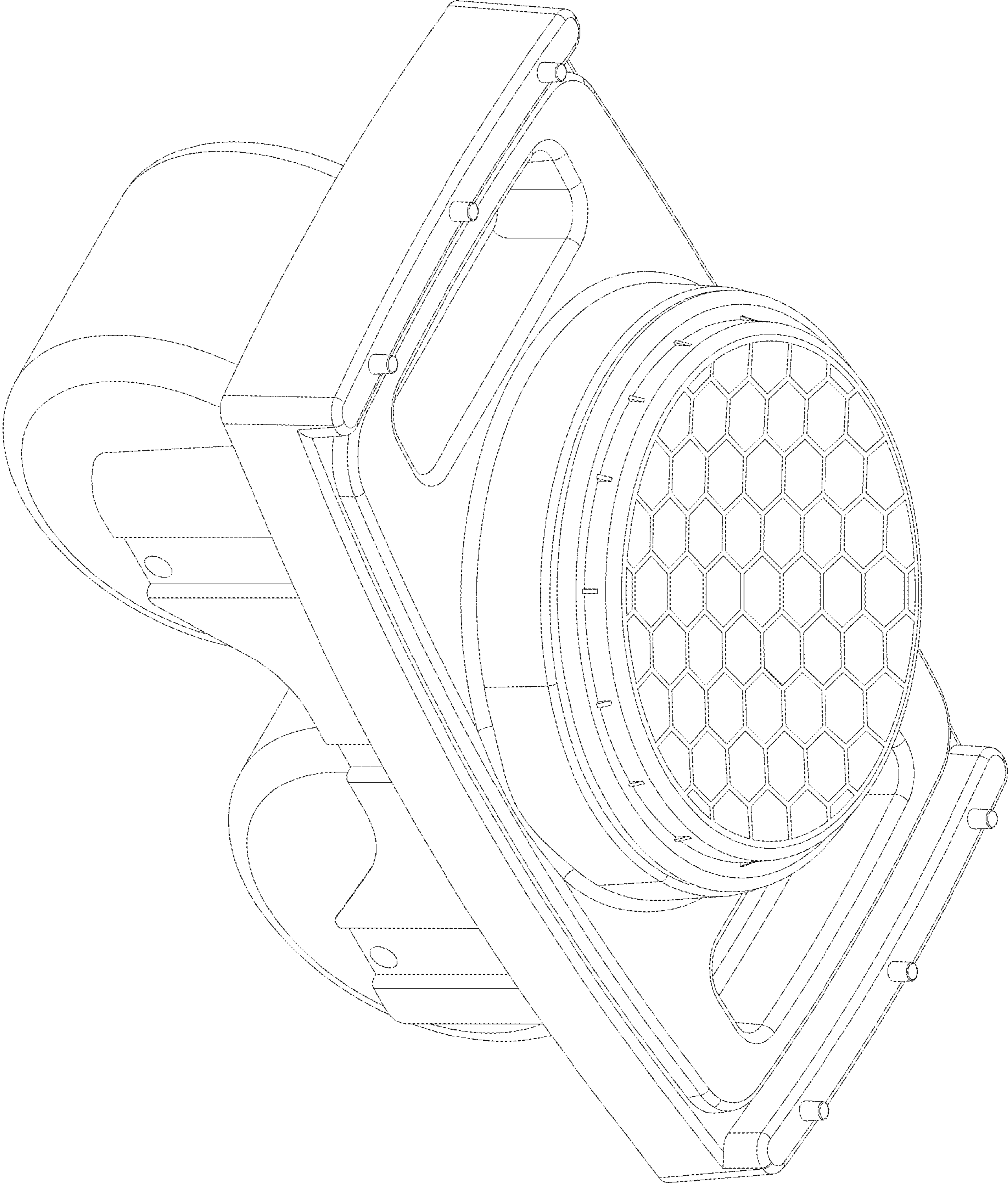


FIG.1

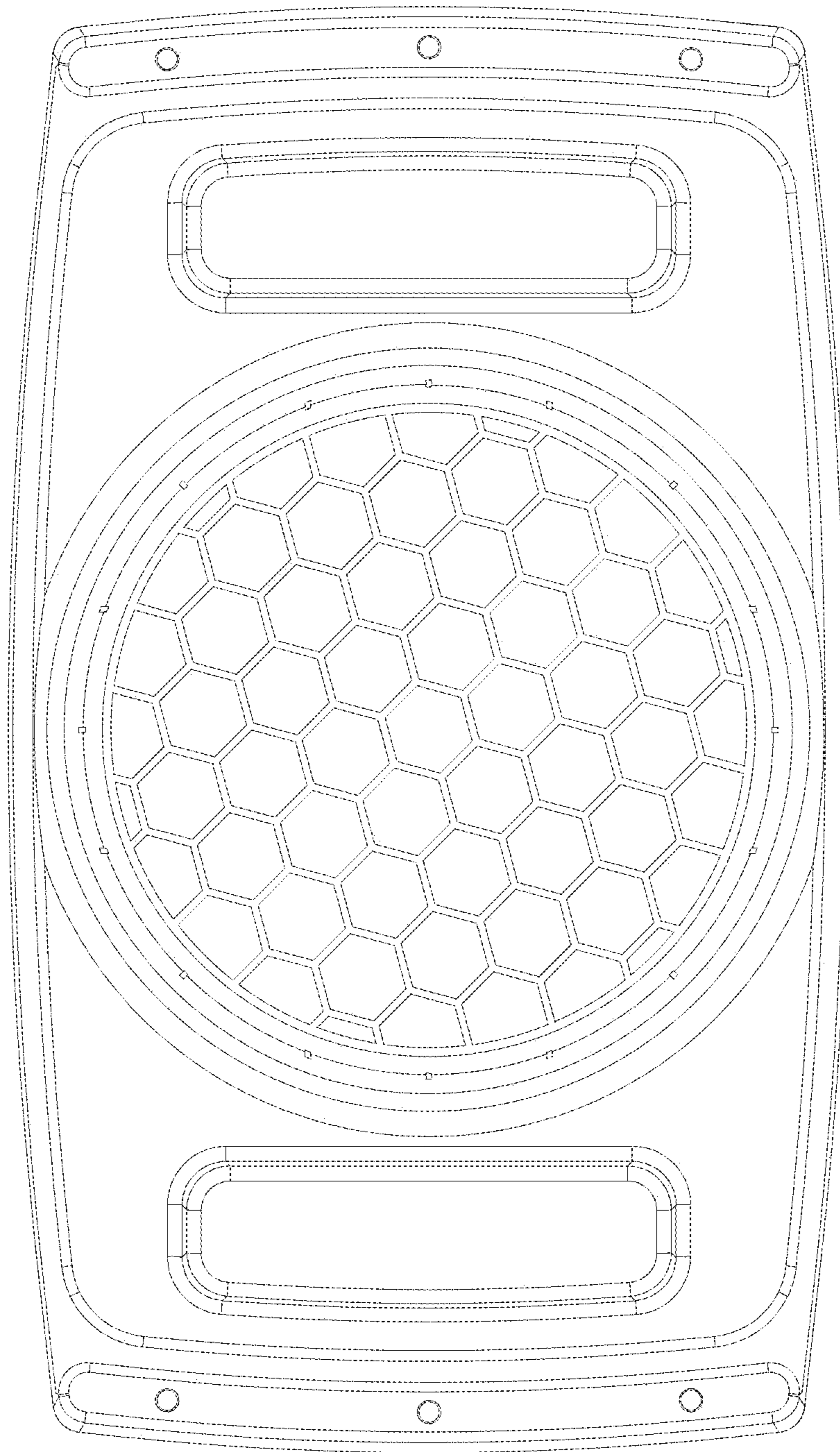


FIG. 2

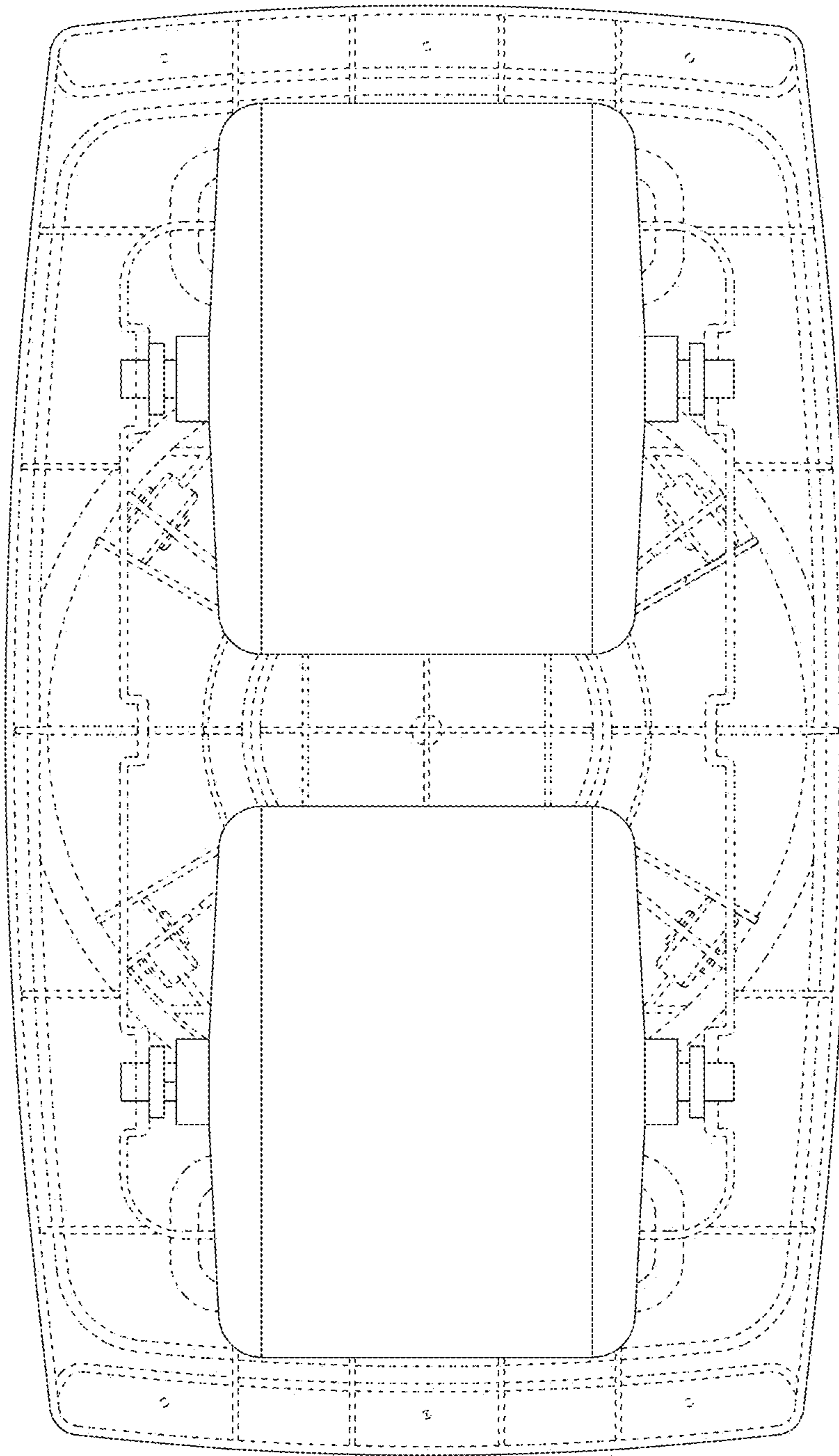


FIG.3

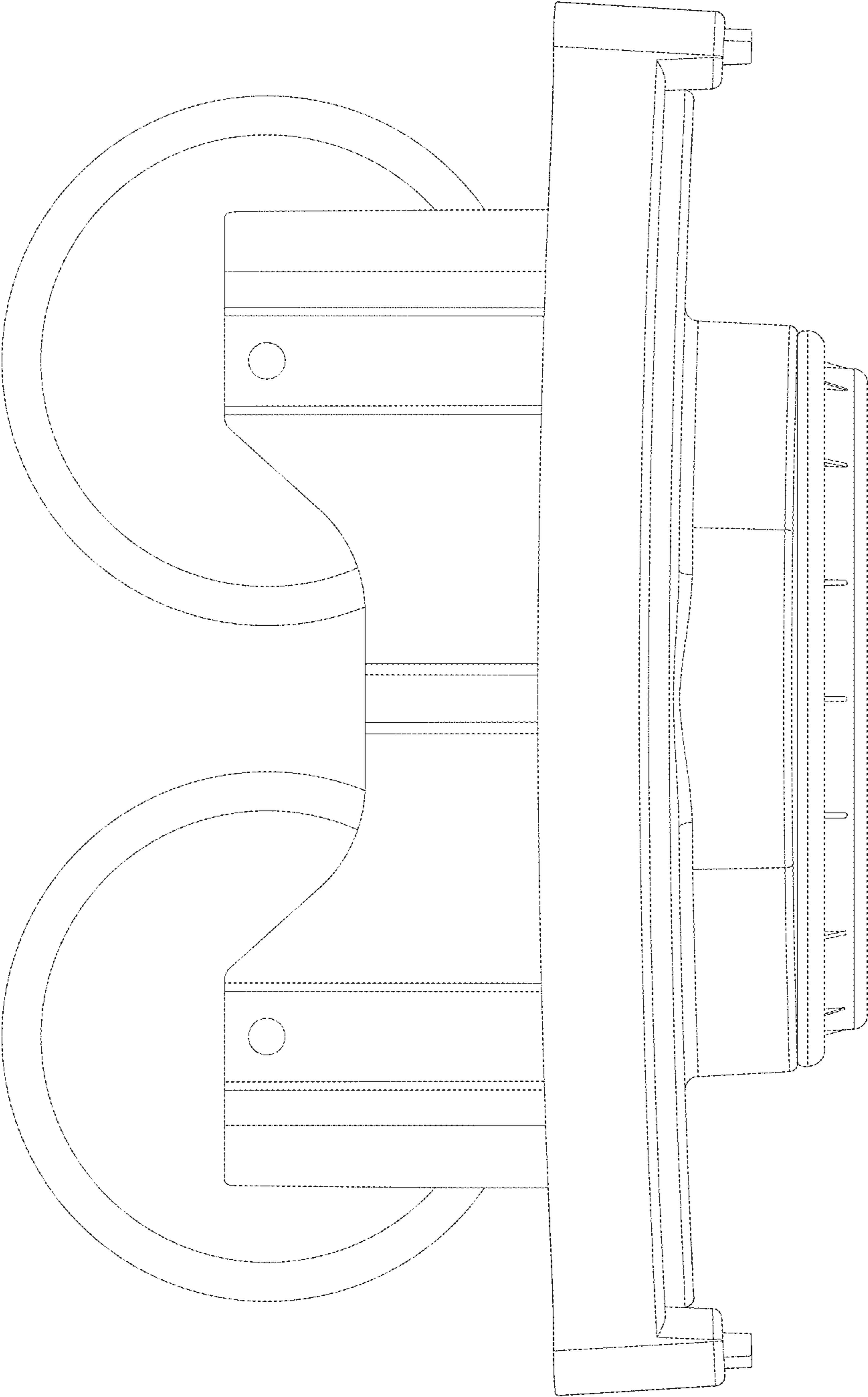


FIG. 4

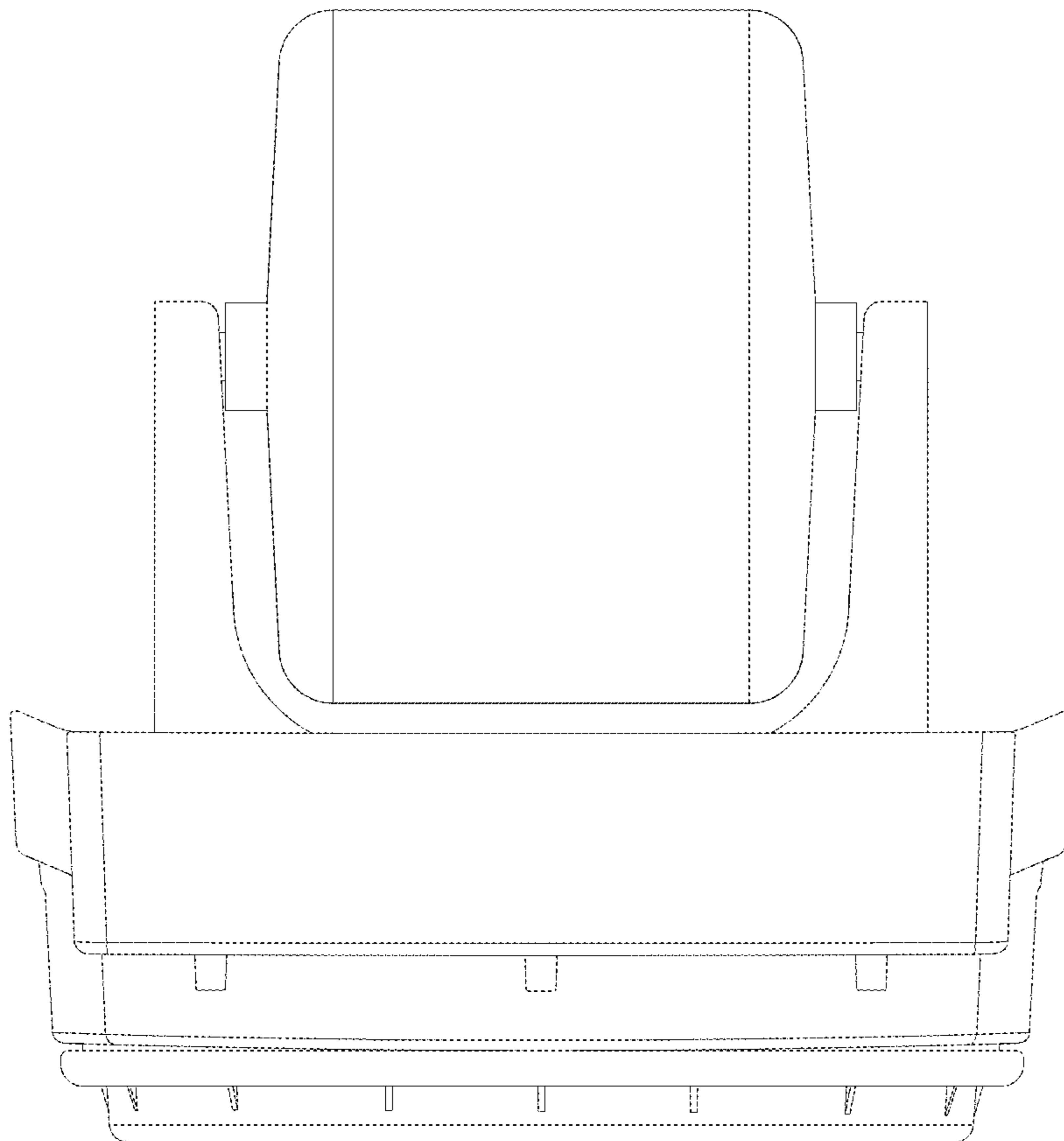


FIG.5