



US00D965941S

(12) **United States Design Patent**  
**Yao**

(10) **Patent No.:** **US D965,941 S**

(45) **Date of Patent:** **\*\* Oct. 4, 2022**

- (54) **CART WITH LIFTING RACK**
- (71) Applicant: **SHENZHEN GLOBAL PURCHASE TRADING CO., LTD**, Shenzhen (CN)
- (72) Inventor: **Jianmei Yao**, Shenzhen (CN)
- (73) Assignee: **SHENZHEN GLOBAL PURCHASE TRADING CO., LTD**, Shenzhen (CN)

6,173,947	B1 *	1/2001	Johnson	.....	F16M 11/40
					269/69
D478,198	S *	8/2003	Koppes	.....	D34/12
D606,722	S *	12/2009	Walter	.....	D34/12
D613,022	S *	3/2010	Laursen	.....	D34/28
D632,041	S	2/2011	Hittle et al.		
D632,450	S *	2/2011	Agoncillo	.....	D34/28
D643,989	S *	8/2011	Goldszer	.....	D34/26
D862,026	S	10/2019	Carzola		
D947,481	S *	3/2022	Horimizu	.....	D34/28
11,312,601	B1 *	4/2022	Yao	.....	B66F 7/0641
2009/0184217	A1 *	7/2009	Sprout	.....	B25H 1/0007
					280/35
2022/0144608	A1 *	5/2022	Tetreau	.....	B66F 7/28

(\*\*) Term: **15 Years**

(21) Appl. No.: **29/815,804**

(22) Filed: **Nov. 16, 2021**

(51) **LOC (13) Cl.** ..... **12-02**

(52) **U.S. Cl.**  
USPC ..... **D34/12; D34/28**

(58) **Field of Classification Search**  
USPC ..... D34/12, 17, 23, 26, 27, 28  
CPC .... B66F 7/065; B66F 7/08; B66F 7/28; B66F 7/0666; B66F 5/00; B66F 7/00; B66F 9/00; B66F 9/127; B65G 65/23; B23Q 1/03; B23Q 1/25; B23Q 1/26; B23Q 3/00; B23Q 3/06; B25B 11/00  
See application file for complete search history.

(56) **References Cited**

**U.S. PATENT DOCUMENTS**

2,220,150	A *	11/1940	Goldman	.....	A47B 31/04
					280/DIG. 4
3,797,847	A *	3/1974	Lindsey	.....	B65F 1/1415
					280/654
4,183,511	A *	1/1980	Marek	.....	B66C 23/48
					269/71
D306,368	S *	2/1990	Daugherty	.....	D34/28
D367,747	S *	3/1996	Poskocil	.....	D34/28
D375,603	S *	11/1996	Carver	.....	D34/28

\* cited by examiner

*Primary Examiner* — Cynthia Ramirez

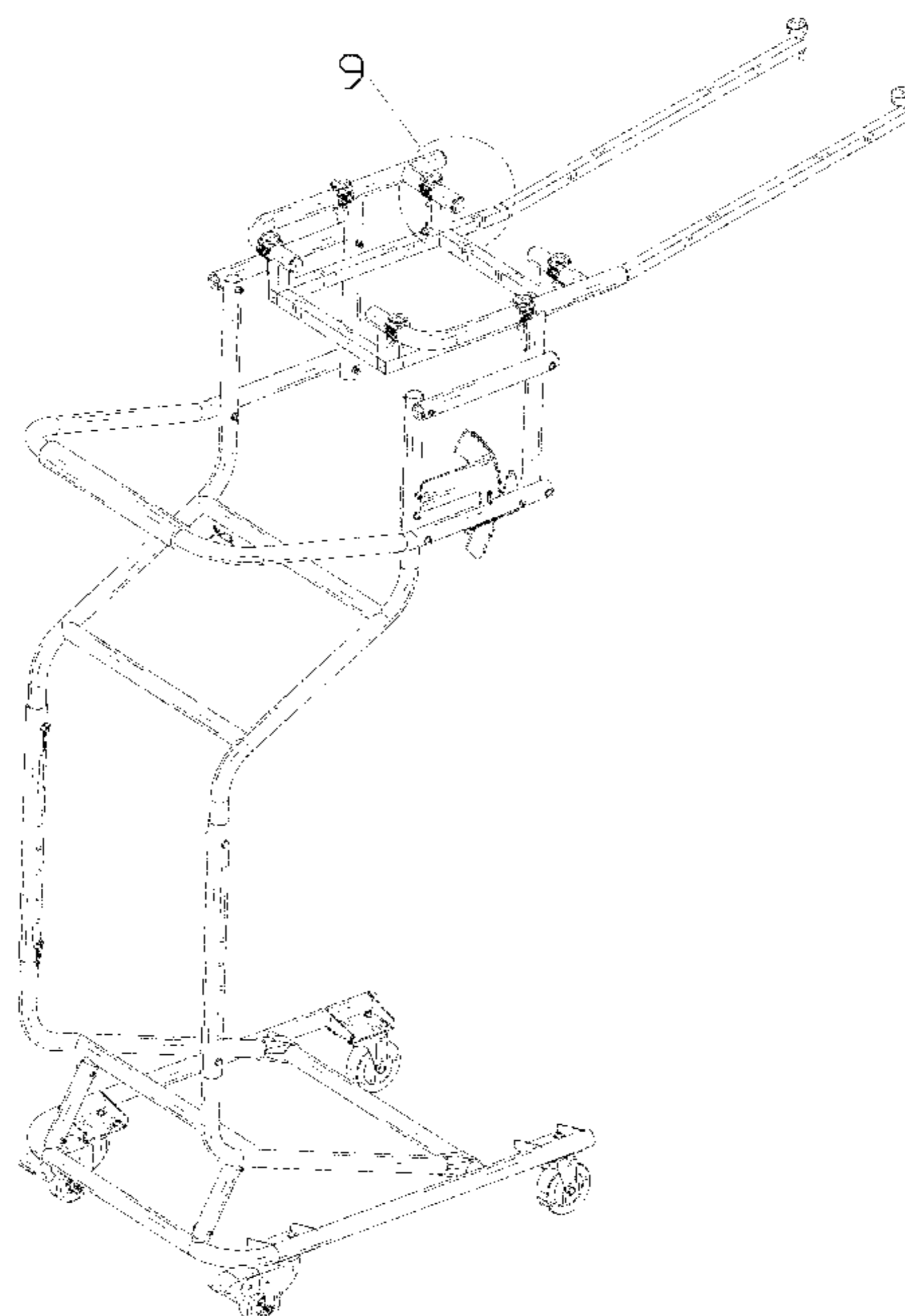
(57) **CLAIM**

The ornamental design for a cart with lifting rack, as shown and described.

**DESCRIPTION**

FIG. 1 is a perspective view of a cart with lifting rack showing my new design;  
 FIG. 2 is another perspective view thereof;  
 FIG. 3 is a front elevational view thereof;  
 FIG. 4 is a rear elevational view thereof;  
 FIG. 5 is a left side elevational view thereof;  
 FIG. 6 is a right side elevational view thereof;  
 FIG. 7 is a top plan view thereof;  
 FIG. 8 is a bottom plan view thereof;  
 FIG. 9 is an enlarged view of portion 9 shown in FIG. 1; and,  
 FIG. 10 is an enlarged view of portion 10 shown in FIG. 2.  
 The dash-dash broken lines in the drawings depict portions of the cart with lifting rack that form no part of the claimed design. The dot-dash broken lines represent boundaries of the enlarged portions and form no part of the claimed design.

**1 Claim, 10 Drawing Sheets**



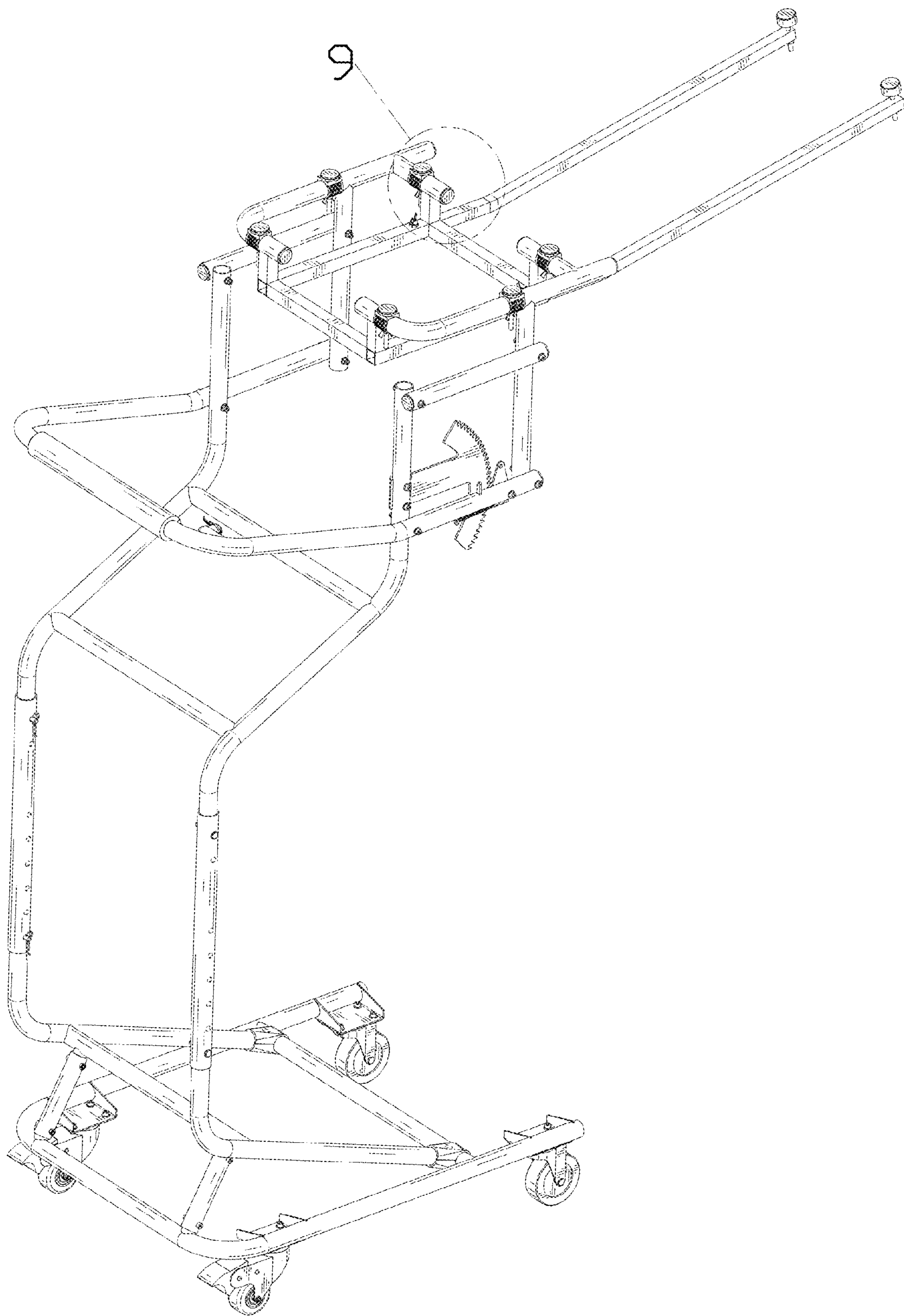
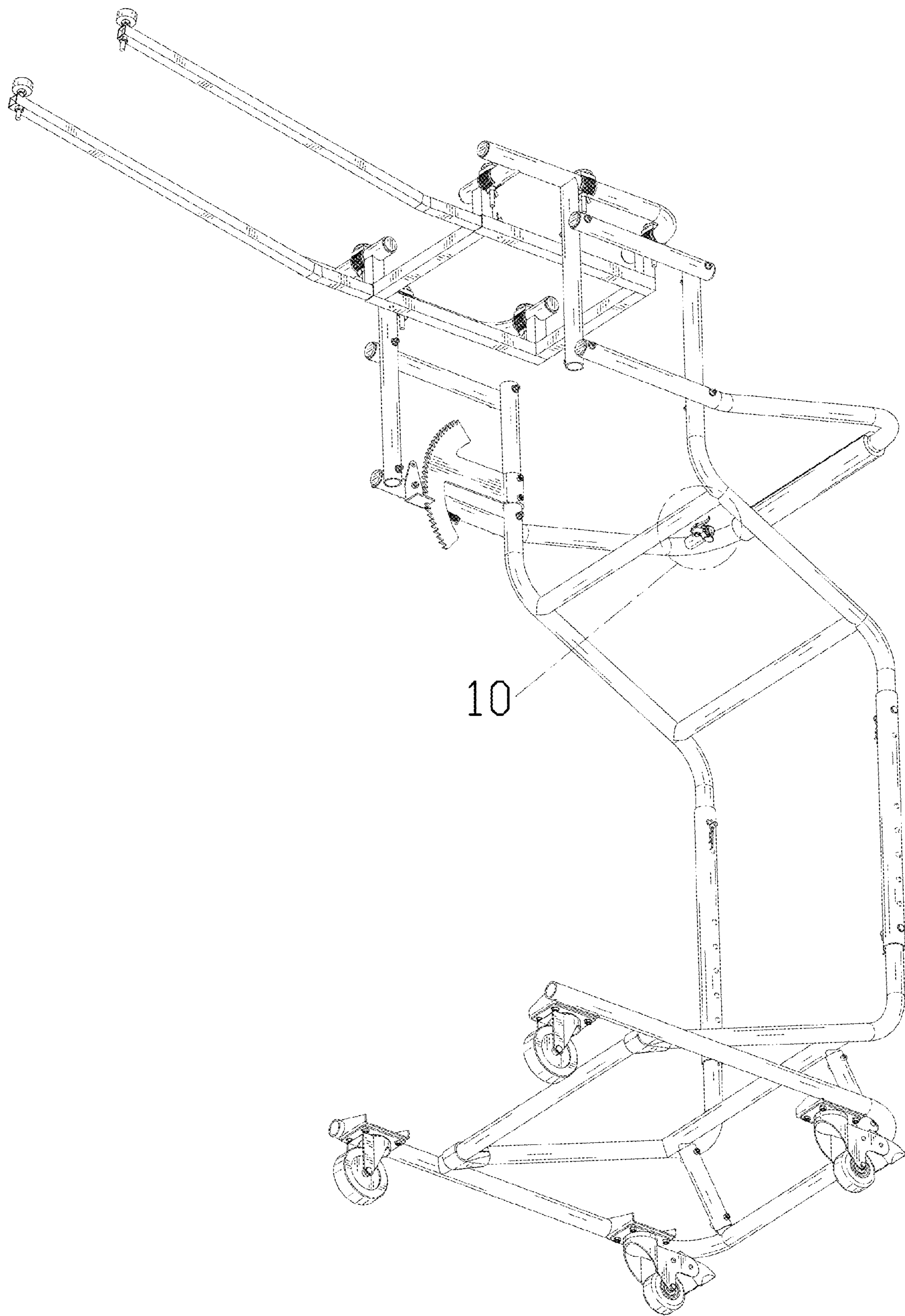


FIG. 1



10

FIG. 2

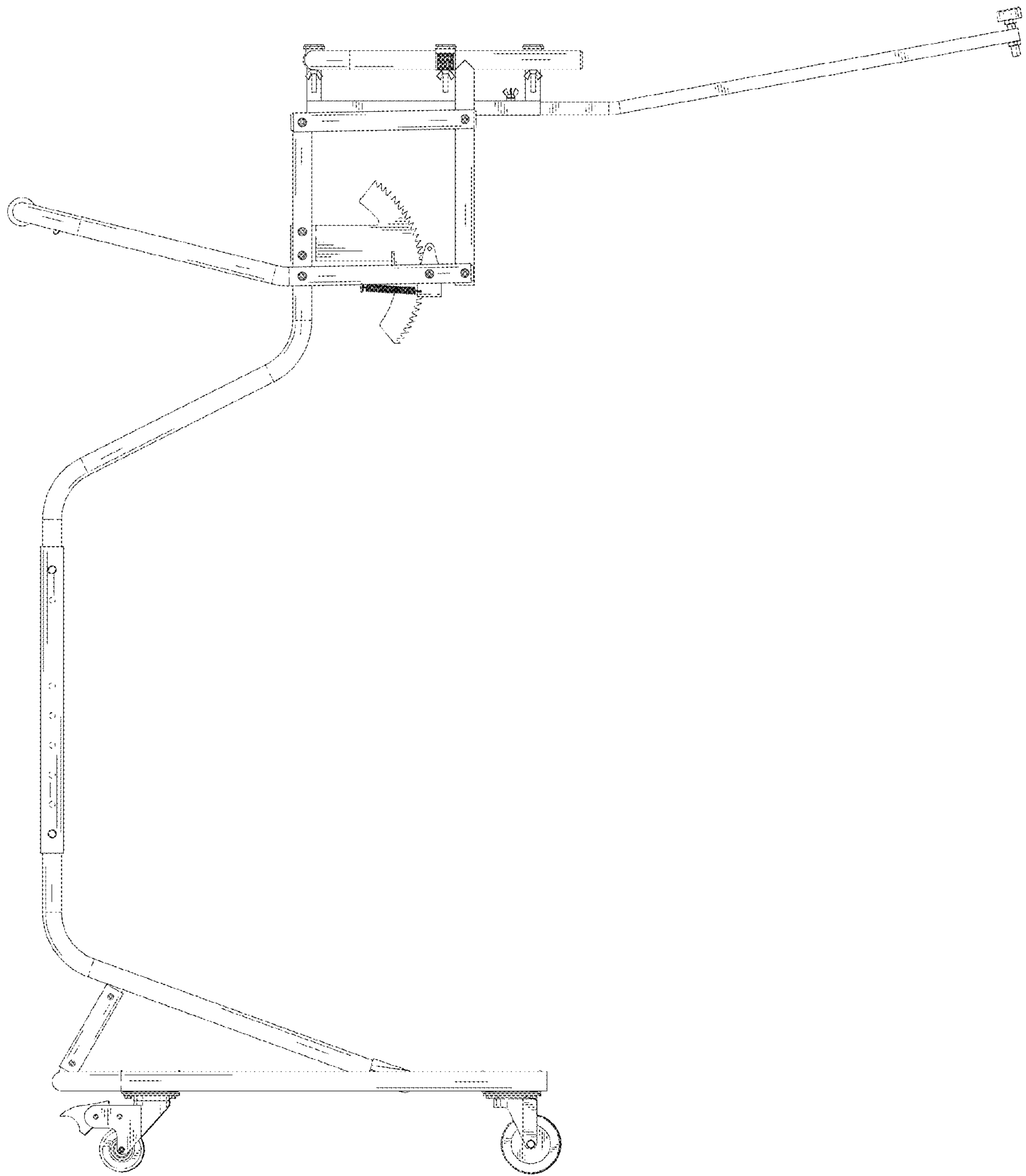


FIG. 3

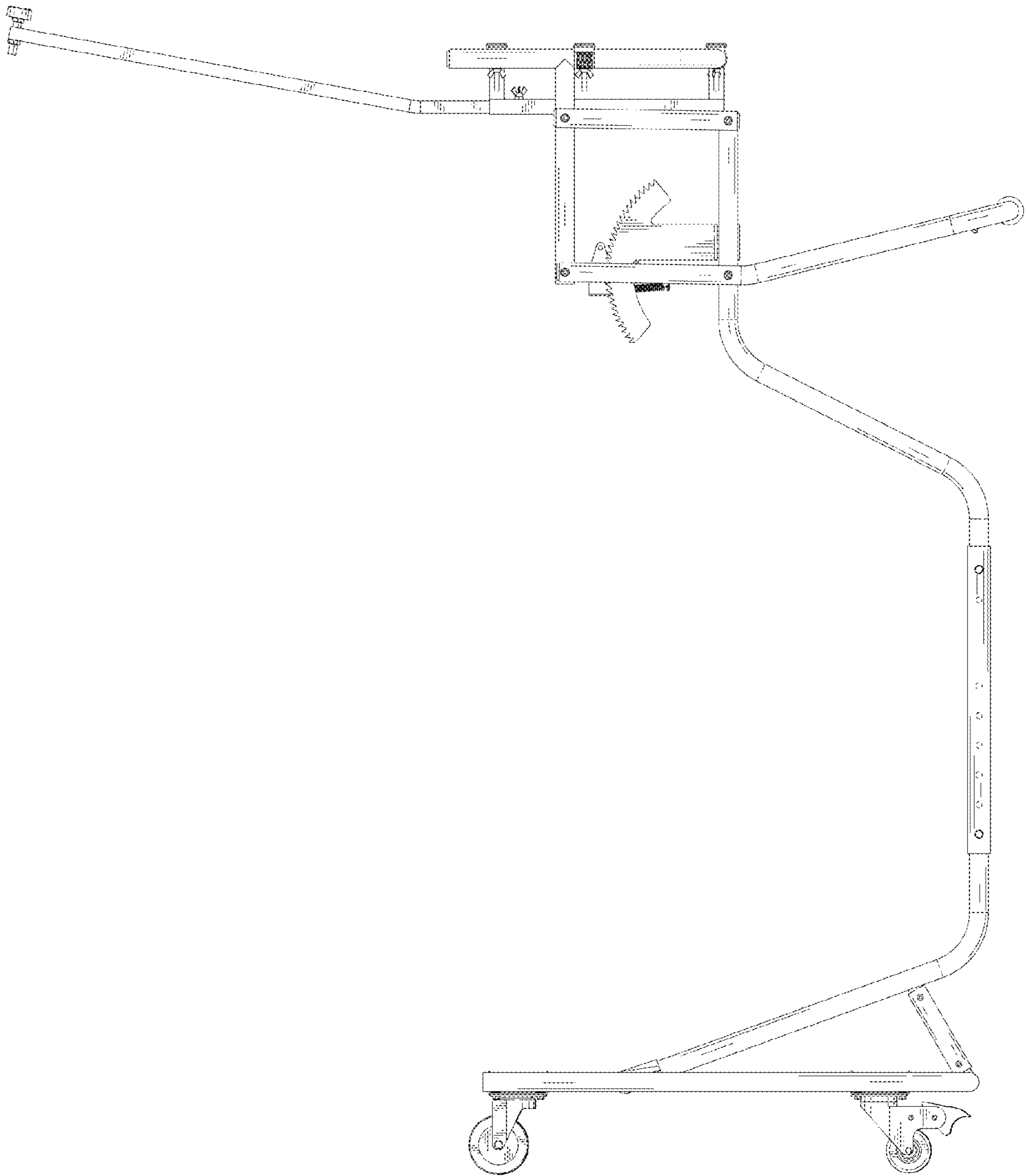


FIG. 4

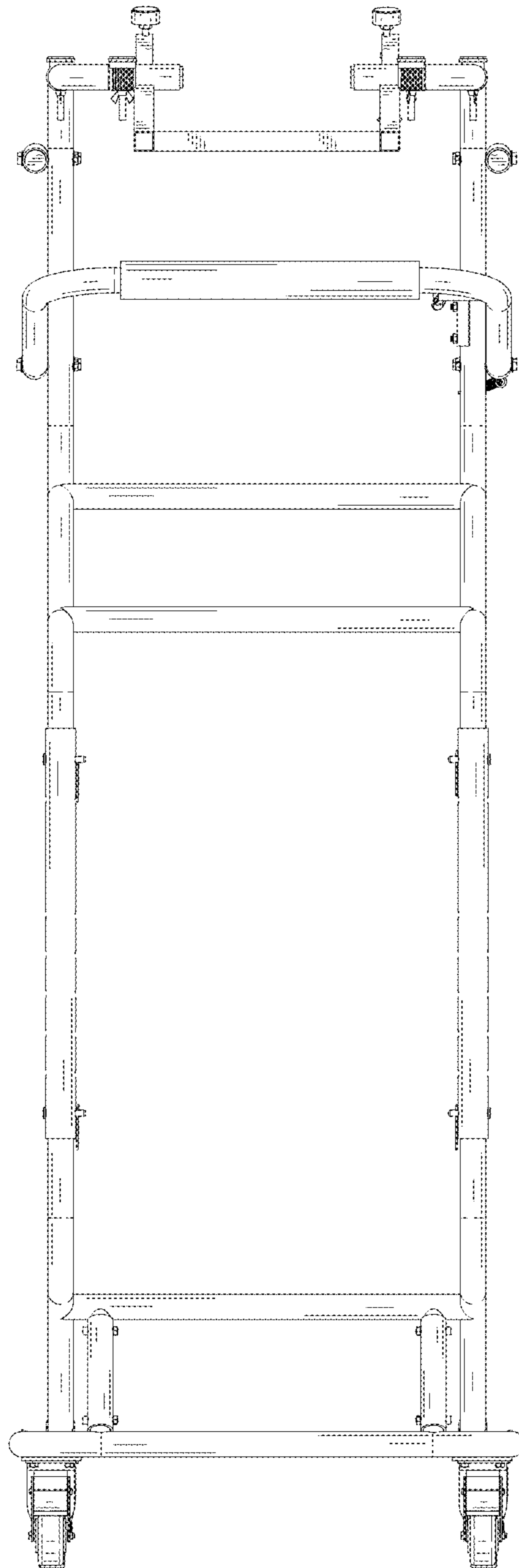


FIG. 5

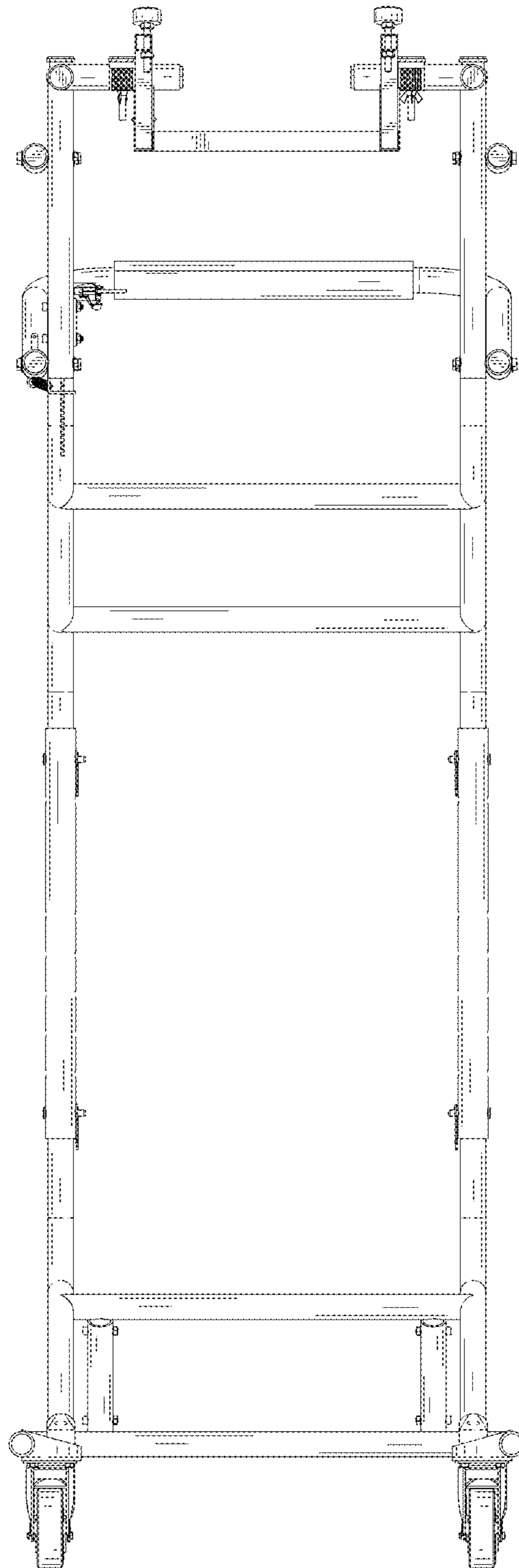


FIG. 6

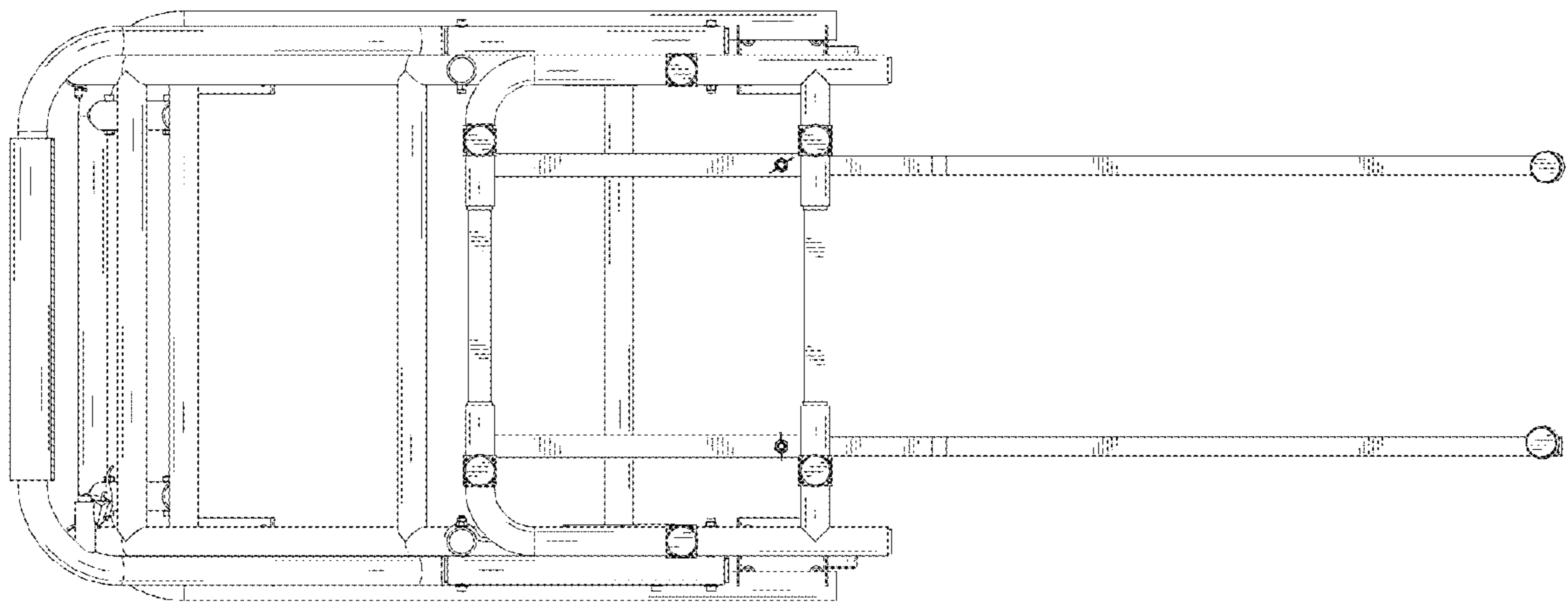


FIG. 7



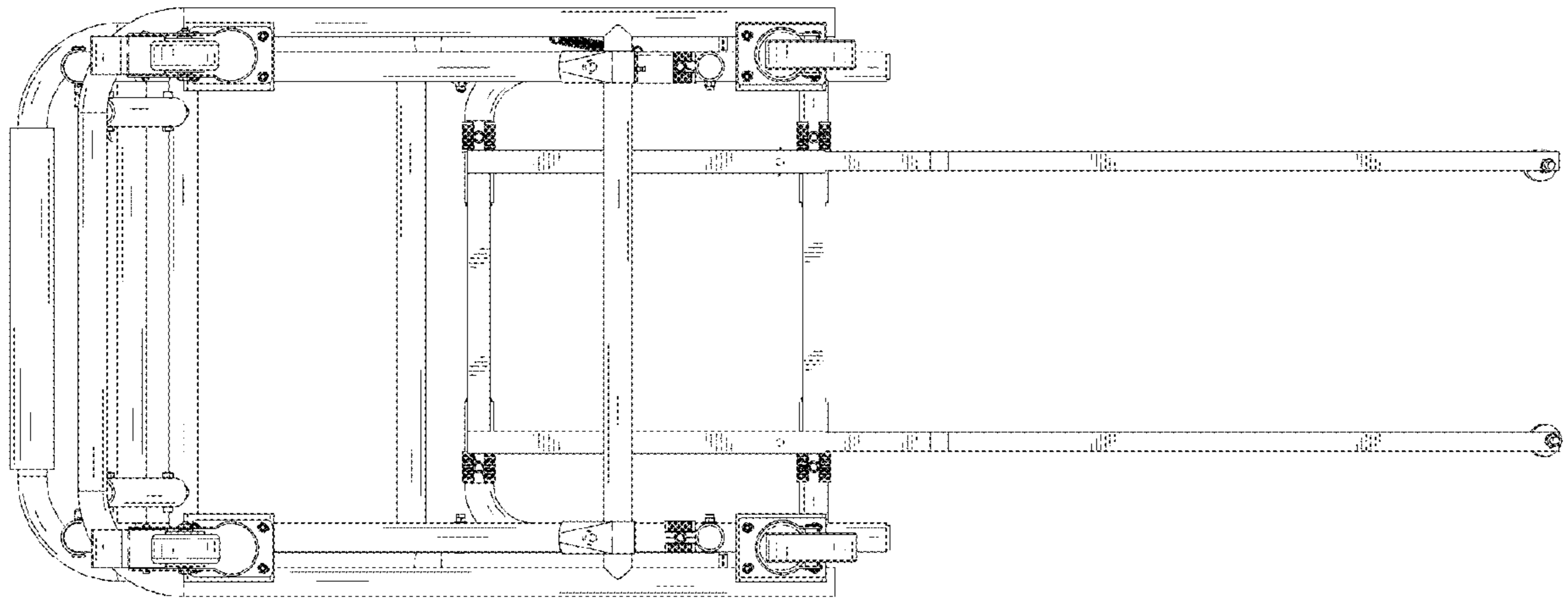


FIG. 8

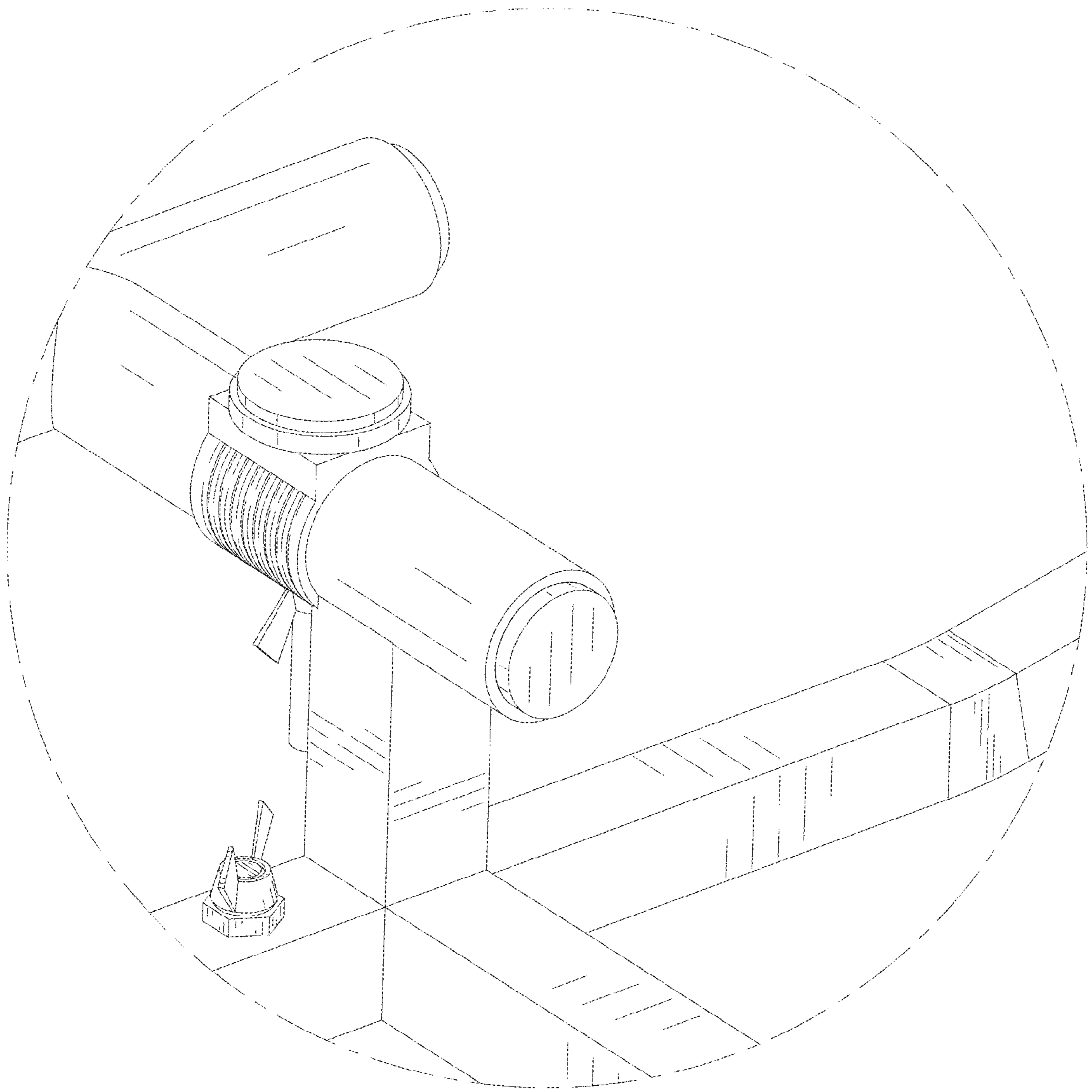


FIG. 9

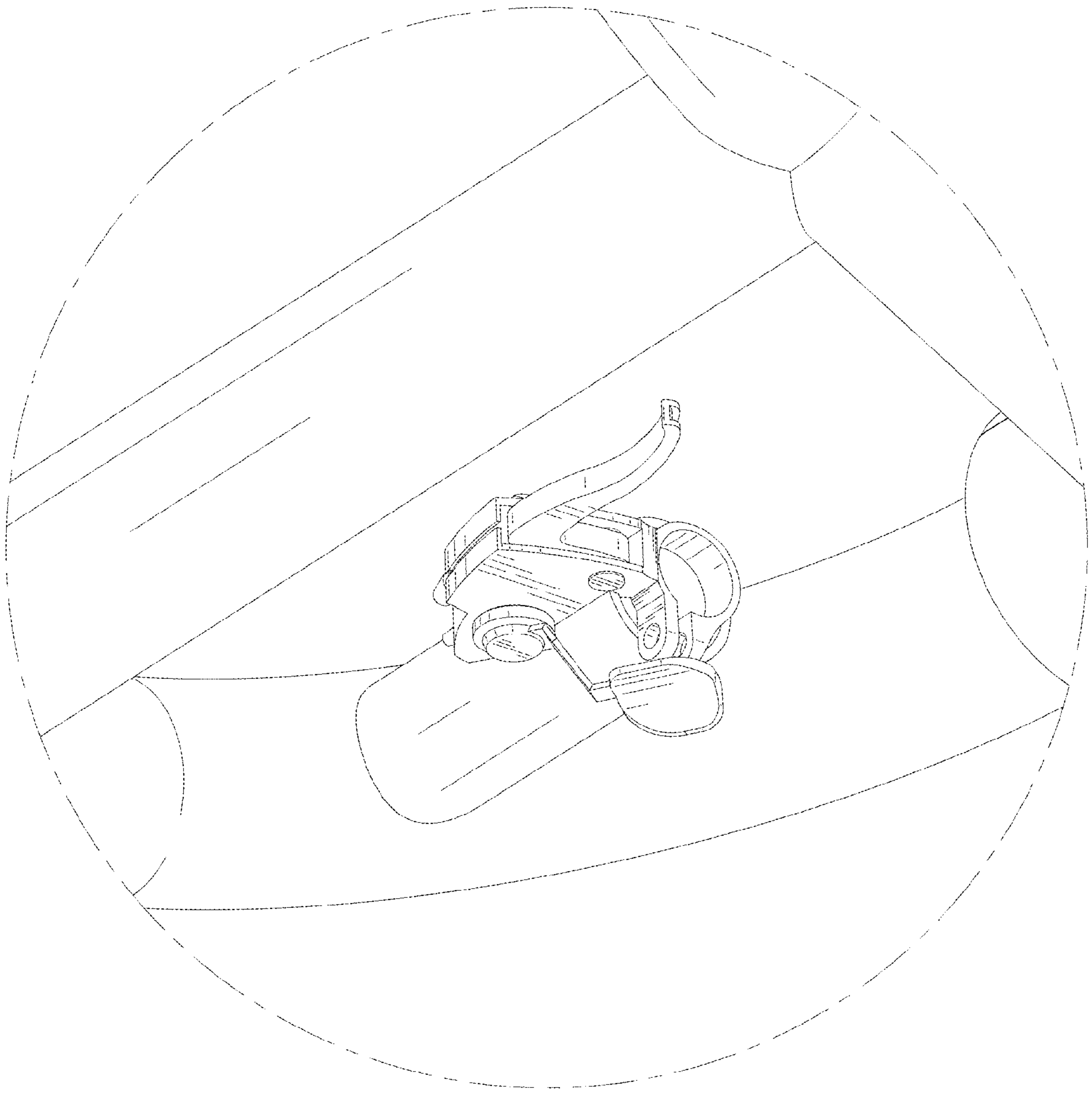


FIG. 10