



US00D965940S

(12) **United States Design Patent** (10) **Patent No.:** **US D965,940 S**
Zeng (45) **Date of Patent:** **** Oct. 4, 2022**

- (54) **TRASH CAN**
- (71) Applicant: **Huayou Zeng**, Jinjiang (CN)
- (72) Inventor: **Huayou Zeng**, Jinjiang (CN)
- (**) Term: **15 Years**
- (21) Appl. No.: **29/811,579**
- (22) Filed: **Oct. 15, 2021**

D936,927 S *	11/2021	Zeng	D34/7
D938,125 S *	12/2021	Zhang	D34/7
D939,174 S *	12/2021	Zeng	D34/7
D945,104 S *	3/2022	Zeng	D34/7
D956,383 S *	6/2022	Chen	D34/7
2021/0269236 A1 *	9/2021	Shek	B65F 1/1607
2022/0161976 A1 *	5/2022	Busch	B65D 25/2885

Related U.S. Application Data

- (62) Division of application No. 29/766,747, filed on Jan. 18, 2021, now Pat. No. Des. 939,174.
- (51) **LOC (13) Cl.** **09-09**
- (52) **U.S. Cl.**
USPC **D34/7**
- (58) **Field of Classification Search**
USPC D34/1, 7, 8, 9, 10, 11
CPC .. B65F 1/06; B65F 1/163; B65F 1/062; B65F
1/1607; B65F 1/1605; B65F 1/16; B65F
1/14; B65F 2220/12; B65F 2230/00;
B65F 2250/1146
See application file for complete search history.

(56) **References Cited**

U.S. PATENT DOCUMENTS

D593,269 S *	5/2009	Weiler	D32/53
D635,319 S	3/2011	Meyerhoffer		
D806,974 S *	1/2018	Lloyd	D34/7
D831,288 S	10/2018	Thuma et al.		
D900,422 S *	10/2020	Joseph	D34/7
D909,000 S *	1/2021	Grossman	D34/7
D925,153 S *	7/2021	Busch	D34/1

OTHER PUBLICATIONS

Zoodmall.com Jul. 19, 2022, Wall mounted kitchen cabinet hanging garbage can car trash bin, <https://www.zoodmall.kz/en/product/10220265/wall-mounted-kitchen-cabinet-hanging-garbage-can-car-trash-bin-with-handle-lid/> (Year: 2022).*

* cited by examiner

Primary Examiner — Cynthia Ramirez

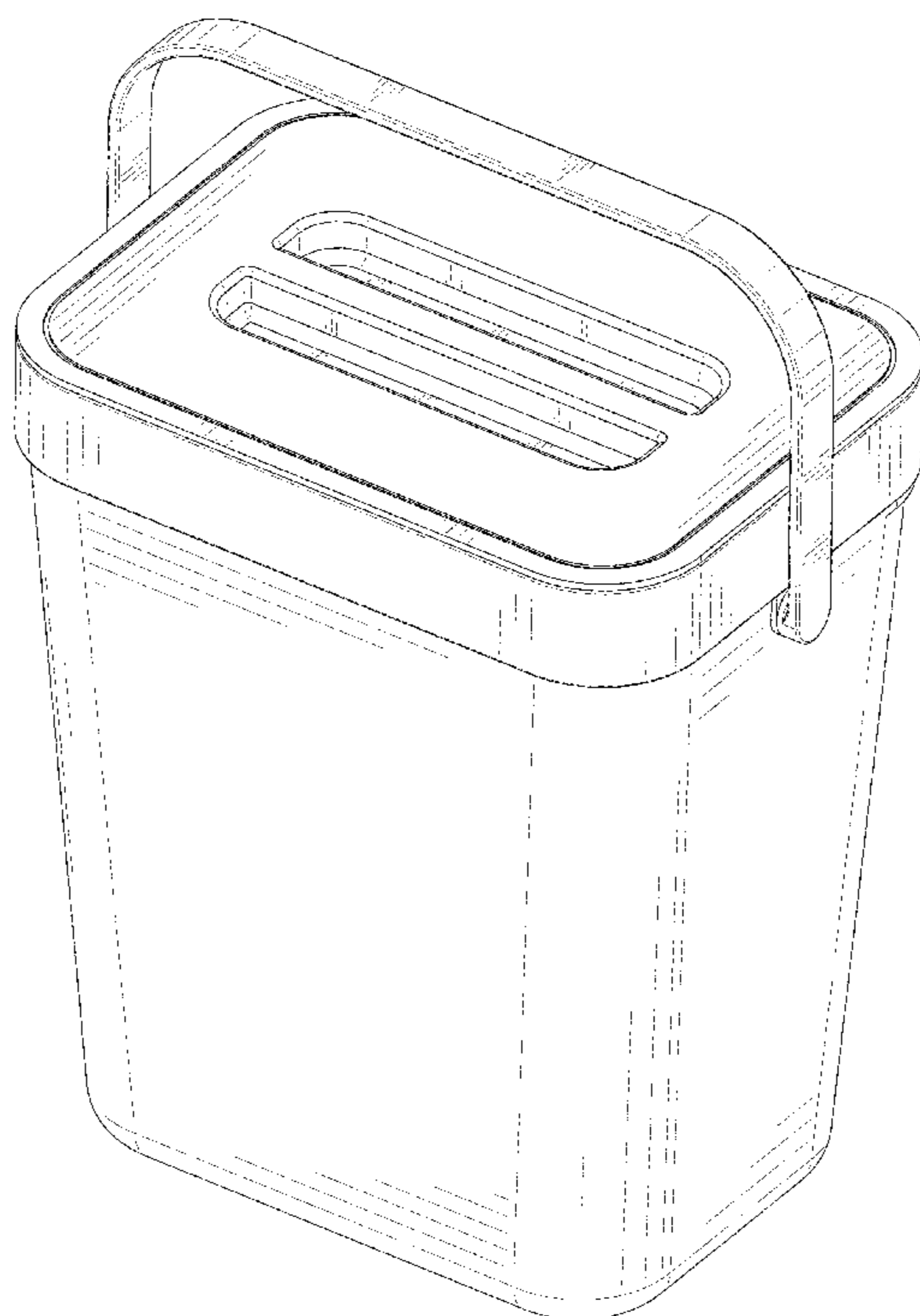
(57) **CLAIM**

The ornamental design for a trash can, as shown and described.

DESCRIPTION

FIG. 1 is a perspective view of a trash can showing my new design;
FIG. 2 is another perspective view thereof;
FIG. 3 is a front elevational view thereof;
FIG. 4 is a rear elevational view thereof;
FIG. 5 is a left side elevational view thereof;
FIG. 6 is a right side elevational view thereof;
FIG. 7 is a top plan view thereof;
FIG. 8 is a bottom plan view thereof; and,
FIG. 9 is an exploded perspective view of the trash can.
The broken lines in the drawings depict portions of the trash can that form no part of the claimed design.

1 Claim, 9 Drawing Sheets



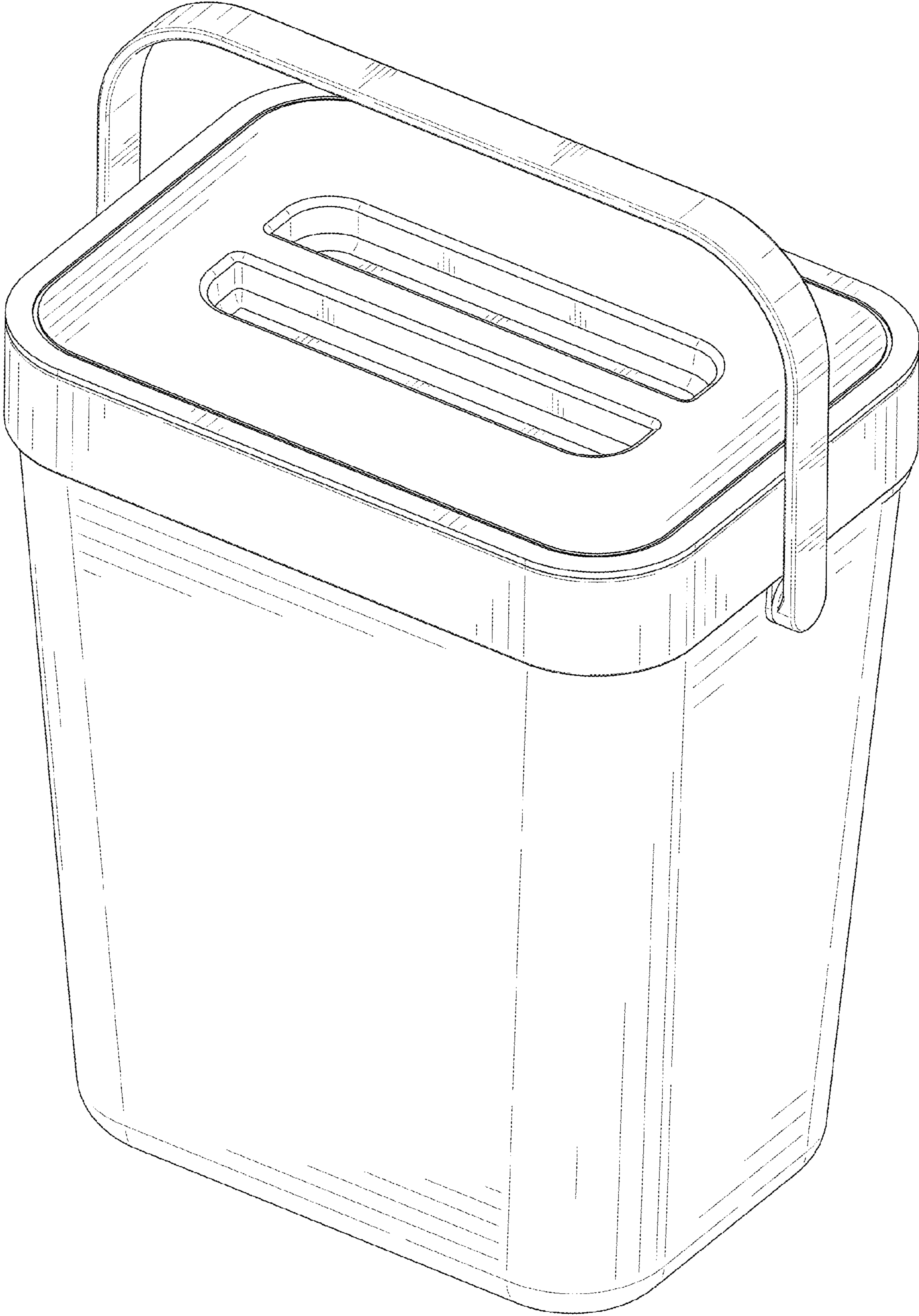


FIG. 1

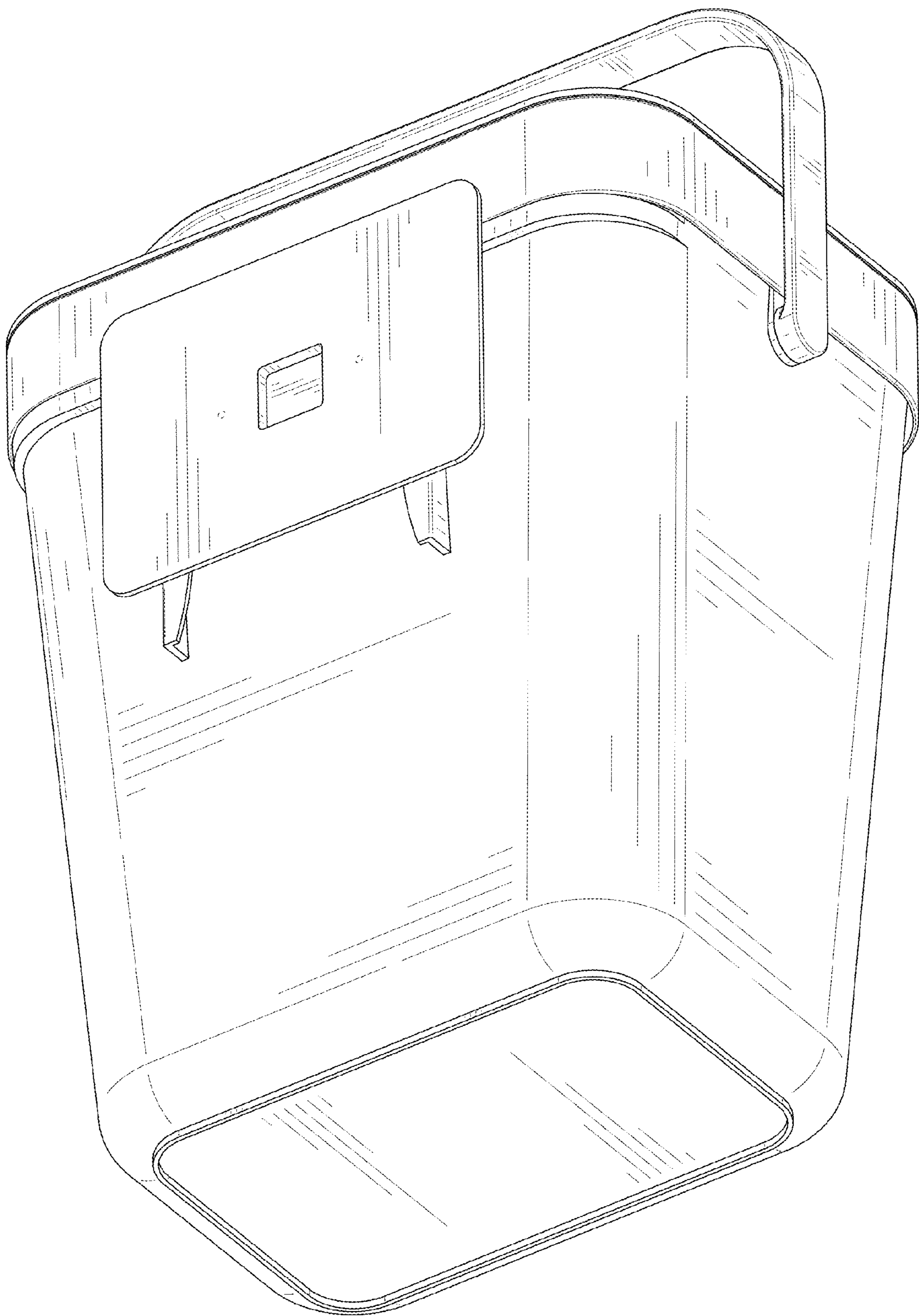


FIG. 2

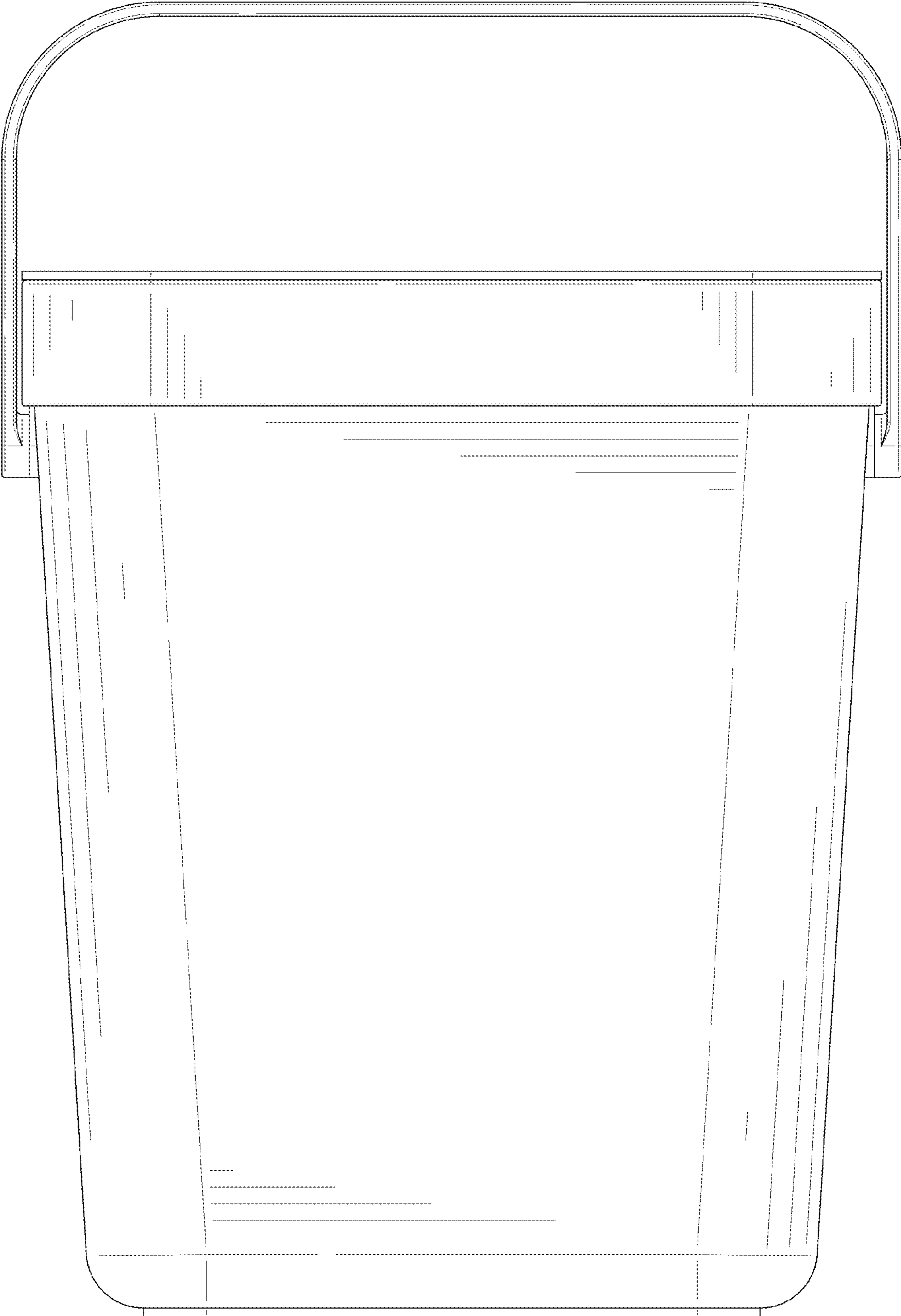


FIG. 3

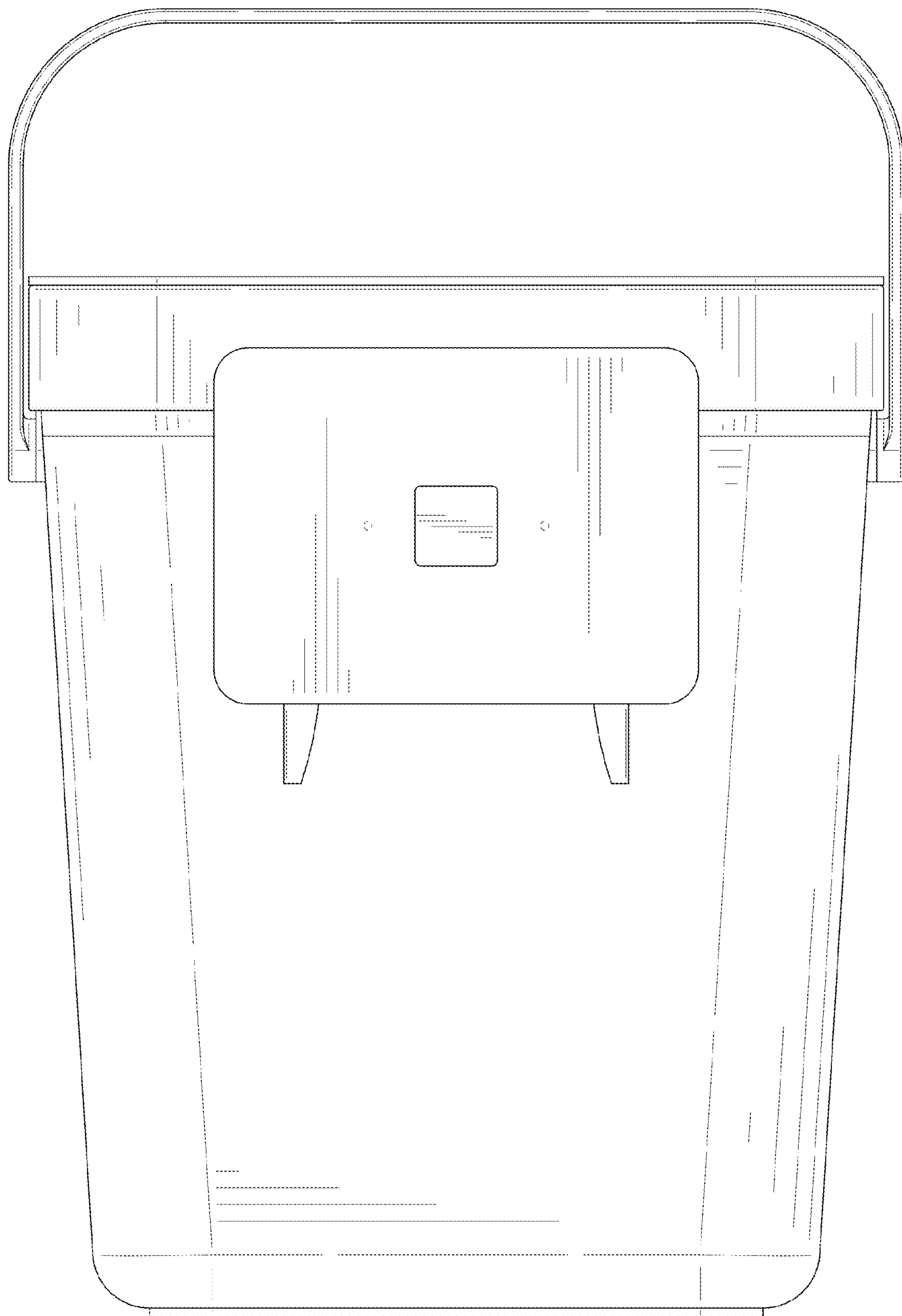


FIG. 4

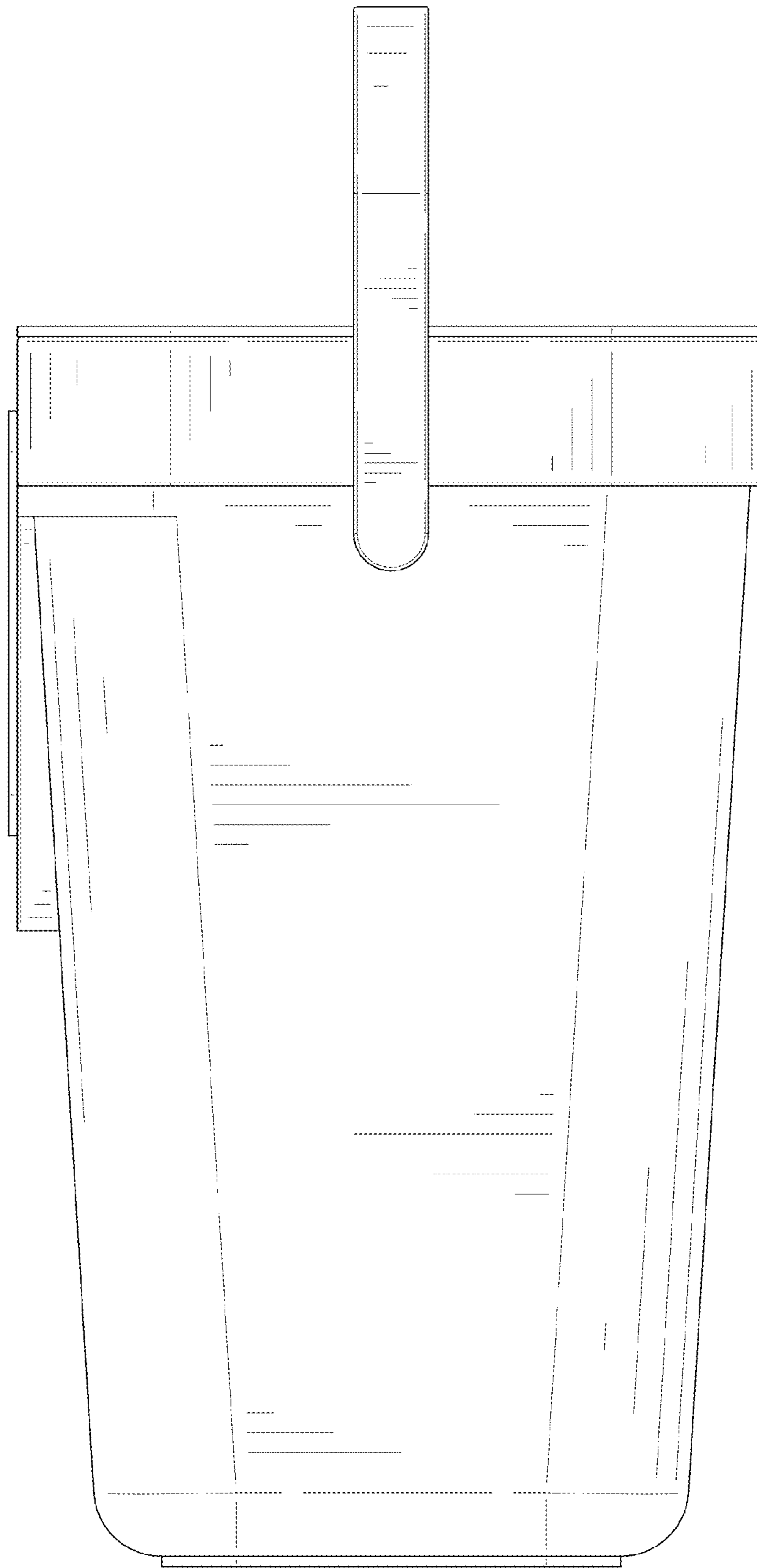


FIG. 5

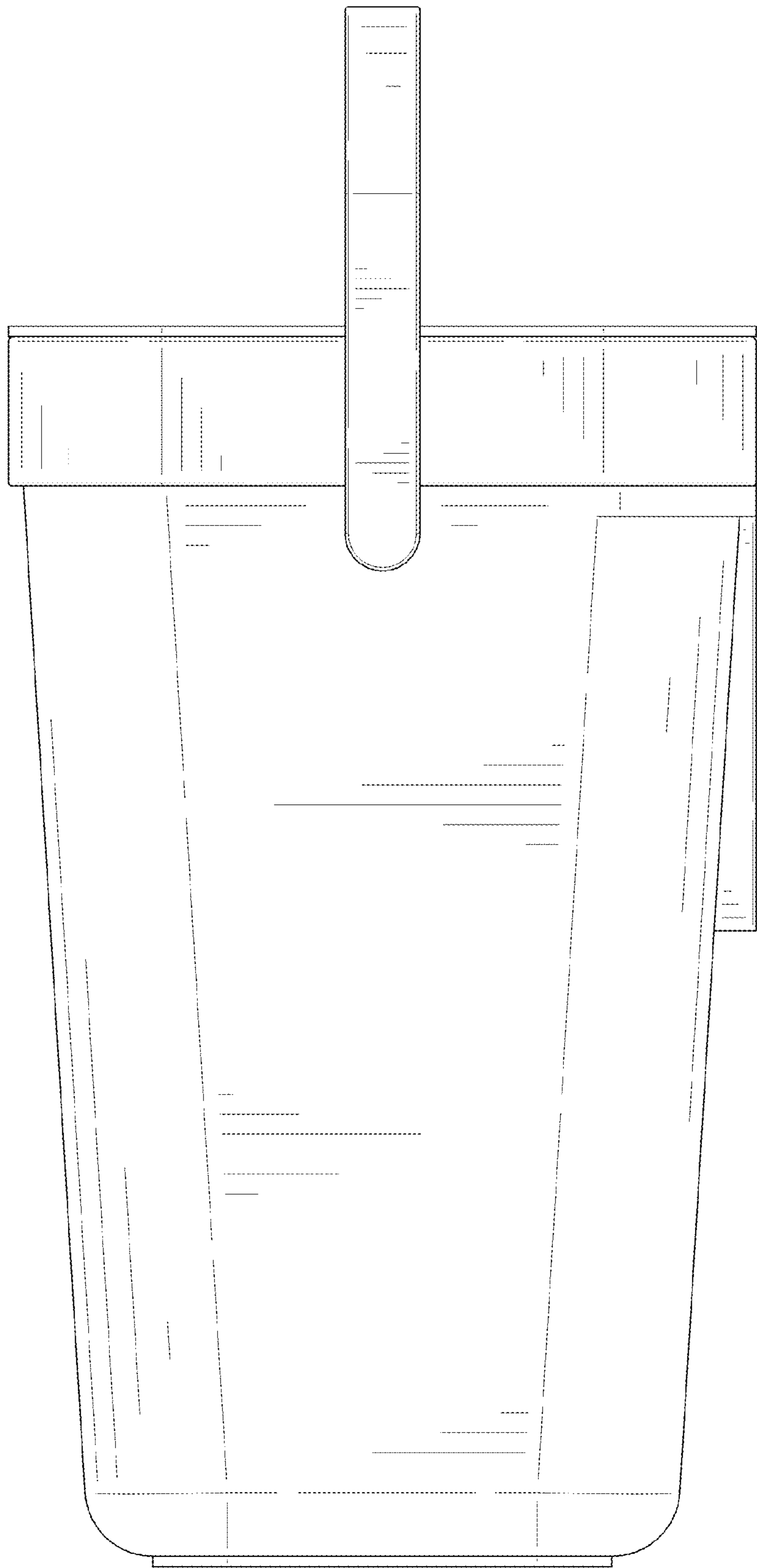


FIG. 6

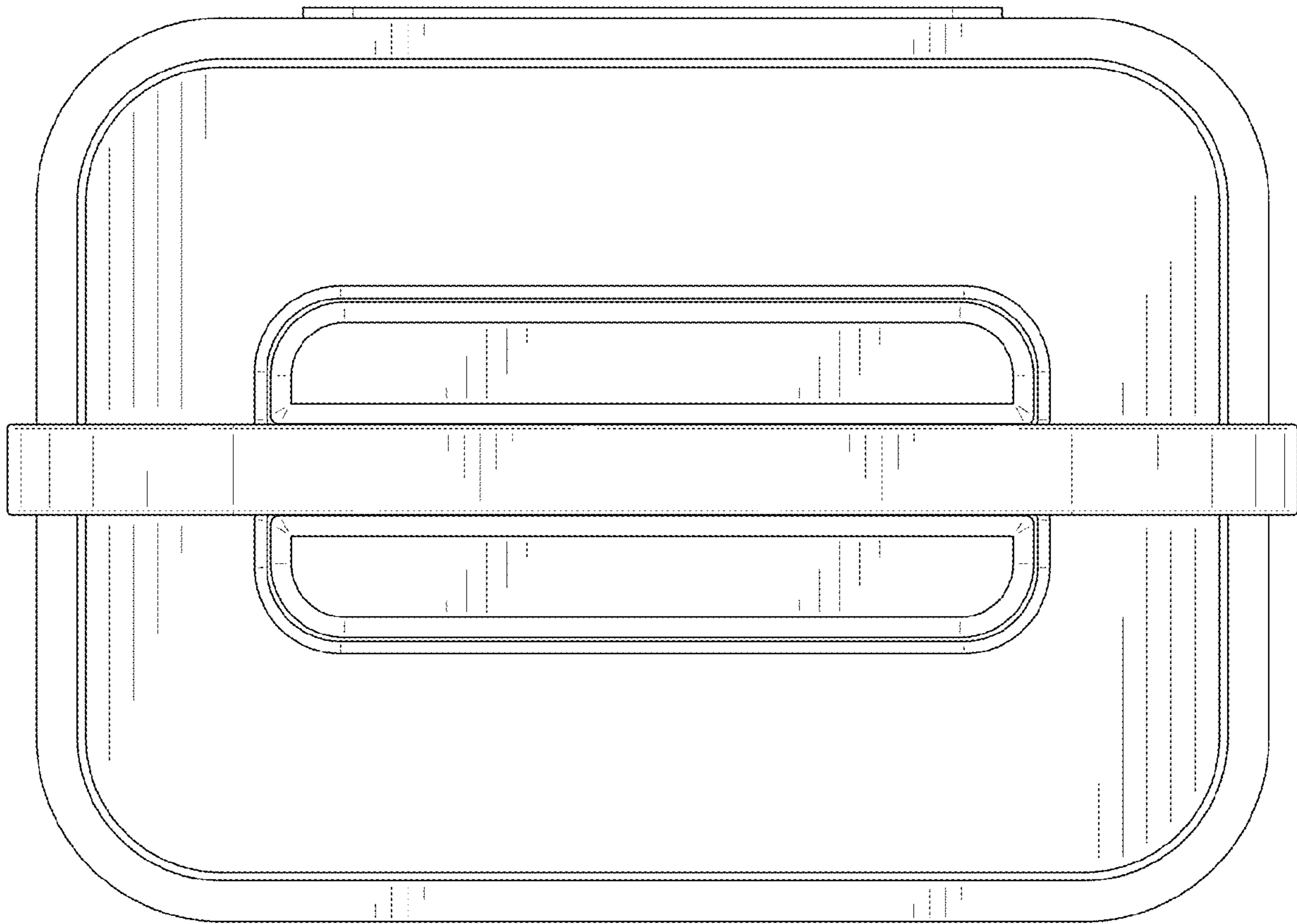


FIG. 7

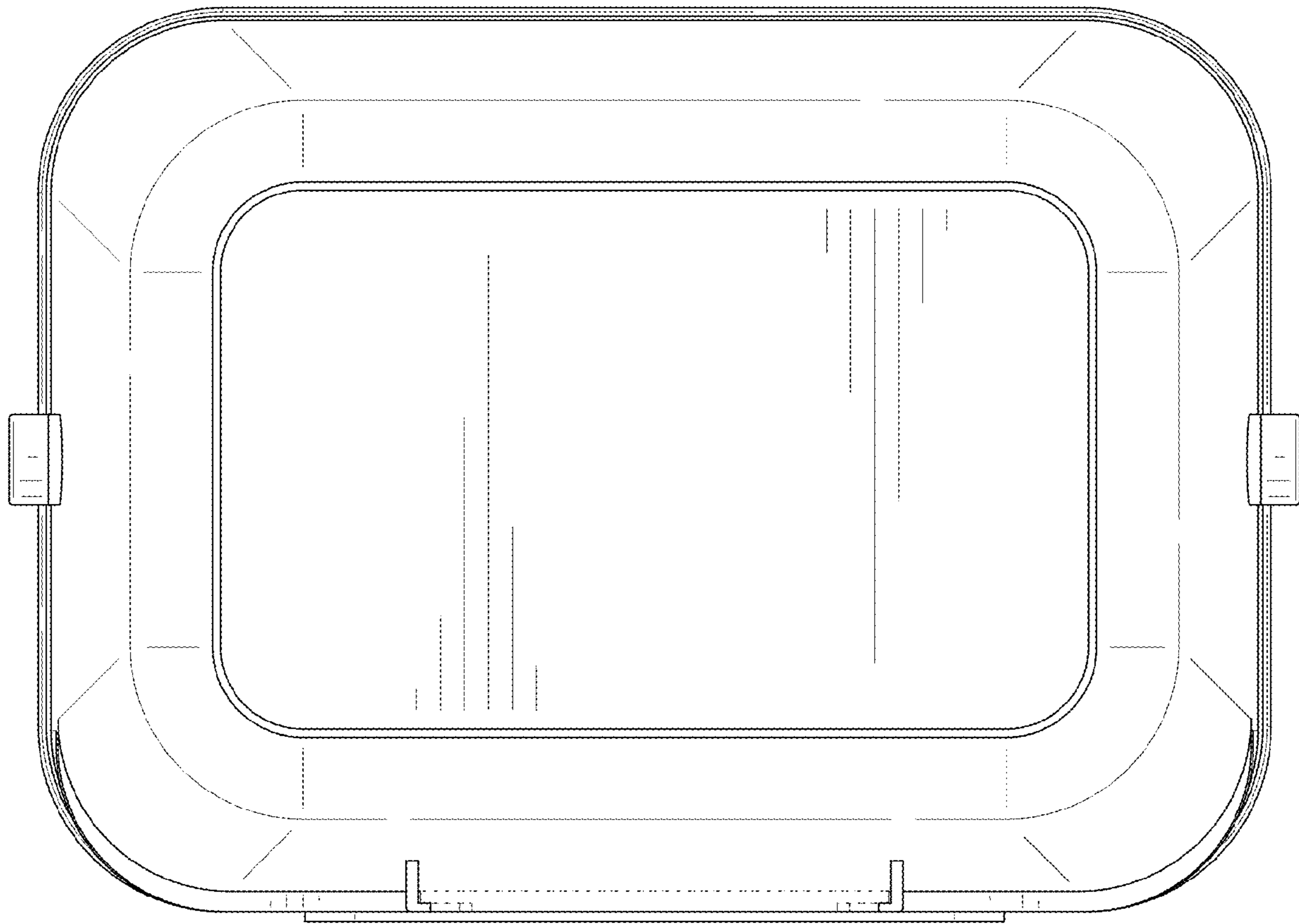


FIG. 8

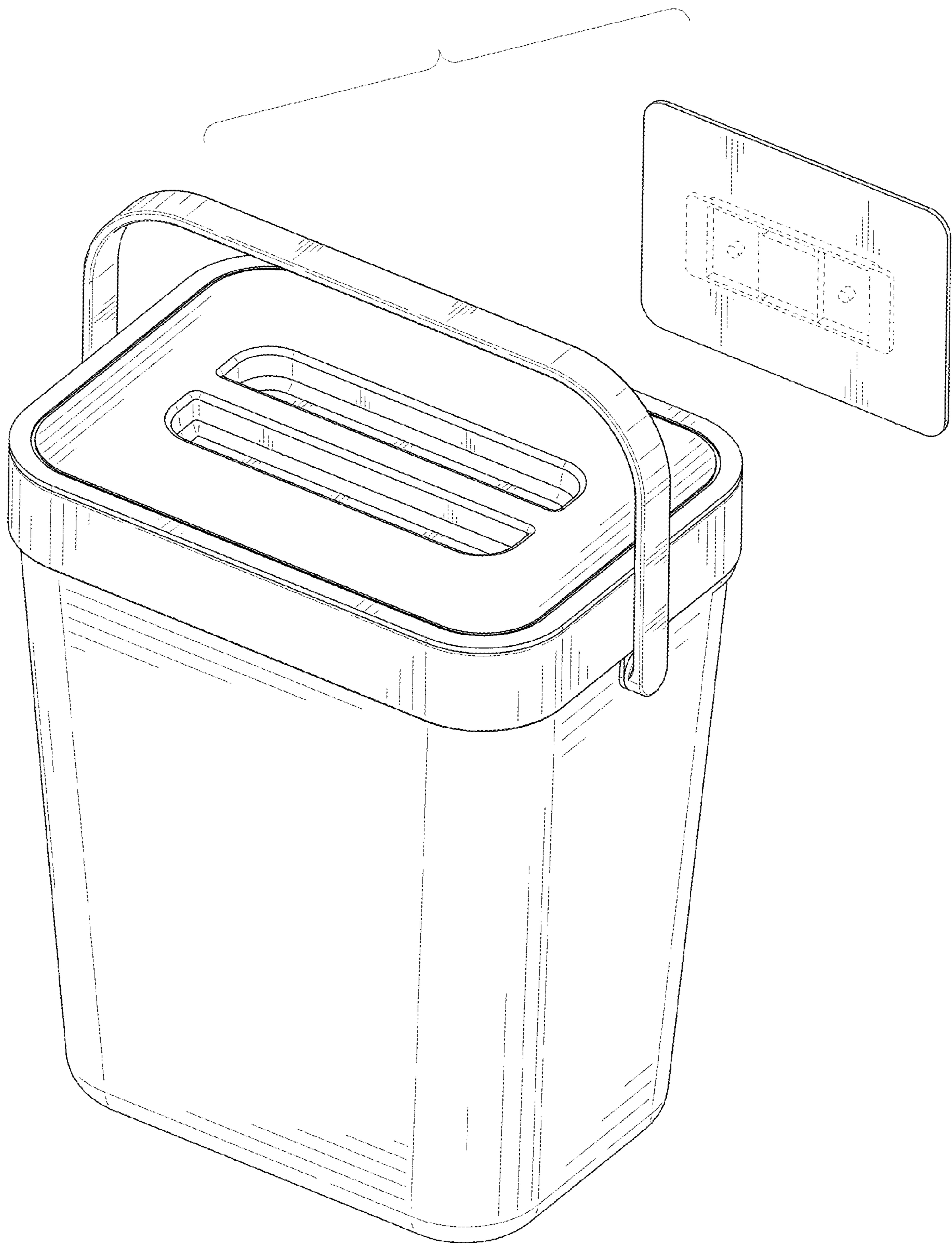


FIG. 9