



US00D965939S

(12) **United States Design Patent**
Xiao

(10) **Patent No.:** **US D965,939 S**

(45) **Date of Patent:** **** Oct. 4, 2022**

(54) **COMPOSTER**

(71) Applicant: **TAIZHOU SUKK TECHNOLOGY CO., LTD**, Taizhou (CN)

(72) Inventor: **Shuangshuang Xiao**, Ningbo (CN)

(73) Assignee: **TAIZHOU SUKK TECHNOLOGY CO., LTD**, Taizhou (CN)

(**) Term: **15 Years**

(21) Appl. No.: **29/823,432**

(22) Filed: **Jan. 17, 2022**

(51) **LOC (13) Cl.** **09-09**

(52) **U.S. Cl.**
USPC **D34/1**

(58) **Field of Classification Search**
USPC D34/1, 5, 6
CPC .. C05F 17/02; C05F 17/0205; C05F 17/0223;
C05F 17/258; C05F 17/907; C12M 1/10;
C12M 1/00; Y10S 220/913; Y10S
220/908; Y02P 20/145; B65F 1/1473;
B65F 1/1452

See application file for complete search history.

(56) **References Cited**

U.S. PATENT DOCUMENTS

- 3,937,355 A * 2/1976 Engebretsen B30B 9/3032
220/495.11
- D263,365 S * 3/1982 Arato D34/1
- 4,352,888 A * 10/1982 Tisbo C05F 17/907
71/901
- D269,046 S 5/1983 Faul
- D326,170 S * 5/1992 De Yoreo D34/1
- D332,678 S * 1/1993 Barclay D34/1
- D332,851 S 1/1993 Long
- 5,215,267 A * 6/1993 Taylor C05F 17/907
241/101.8
- D340,331 S 10/1993 Arato et al.
- D340,559 S 10/1993 Taylor
- D351,697 S * 10/1994 Blotnick D34/1

- 5,490,604 A * 2/1996 Alexander B65D 11/1873
220/676
- D401,720 S * 11/1998 Newquist D34/1
- 6,454,111 B1 * 9/2002 Berryhill C05F 17/907
220/908
- D470,987 S * 2/2003 Noble D34/1
- D507,687 S * 7/2005 Moon D34/1
- D771,343 S * 11/2016 Colwell D34/6

(Continued)

FOREIGN PATENT DOCUMENTS

FR 2889670 A1 * 2/2007 C05F 17/0205

OTHER PUBLICATIONS

Gardensonline.com May 18, 2022, Eco-master 300 litre composter, https://www.gardensonline.com.au/Shopping/GardenShop/Show_6619.aspx (Year: 2022).*

(Continued)

Primary Examiner — Cynthia Ramirez

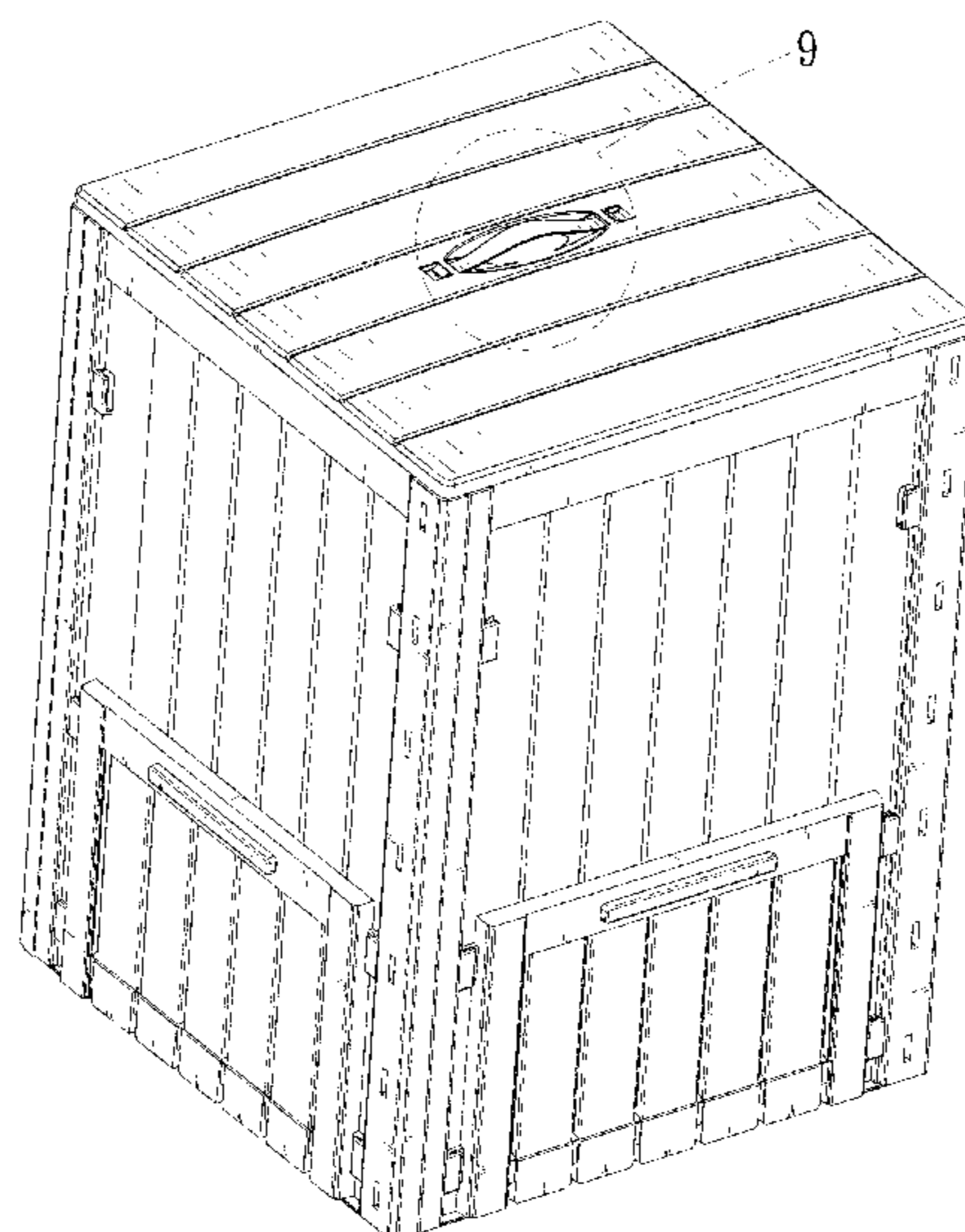
(57) **CLAIM**

The ornamental design for a composter, as shown and described.

DESCRIPTION

FIG. 1 is a rear and bottom perspective view of a composter, showing my new design;
 FIG. 2 is a front and top perspective view thereof;
 FIG. 3 is a front elevation view thereof;
 FIG. 4 is a rear view thereof;
 FIG. 5 is a left side elevation view thereof;
 FIG. 6 is a right side elevation view thereof;
 FIG. 7 is a top plan view thereof;
 FIG. 8 is a bottom plan view thereof; and,
 FIG. 9 is an enlarged view of the portion, labeled '9' of FIG. 2.
 The dash-dot broken lines in FIGS. 2 and 9 are to show enlarged areas and form no part of the claimed design.

1 Claim, 9 Drawing Sheets



(56)

References Cited

U.S. PATENT DOCUMENTS

D785,269	S *	4/2017	Slaughenhaupt	D34/1
D800,405	S *	10/2017	Slaughenhaupt	D34/1
D831,921	S *	10/2018	Thuma	D34/1
D889,060	S *	6/2020	Dror	D34/1
D902,518	S *	11/2020	Dror	D34/1
D902,519	S *	11/2020	Dror	D34/1
D919,219	S *	5/2021	Greenspon	D34/1
2003/0160050	A1 *	8/2003	Carter	B65F 1/0006 220/9.1
2004/0261480	A1 *	12/2004	Giesy	C05F 17/907 71/8
2012/0174481	A1 *	7/2012	Toro	A01G 9/02 47/65.5

OTHER PUBLICATIONS

Loot.co.za May 18, 2022, Keter Eco Composter 320L, <https://www.loot.co.za/product/keter-eco-composter-320l/wyvp-6035-g510> (Year: 2022).*

Alibaba.com May 18, 2022, garden food composter waste composting making machines household compost tumbler spreader bin, https://www.alibaba.com/product-detail/Composter-Compost-Garden-Food-Composter-Waste_1600479942893 (Year: 2022).*

Alibaba.com May 18, 2022, 300L Garden Composter, https://www.alibaba.com/product-detail/300L-Garden-Composter_1600185209678 (Year: 2022).*

* cited by examiner

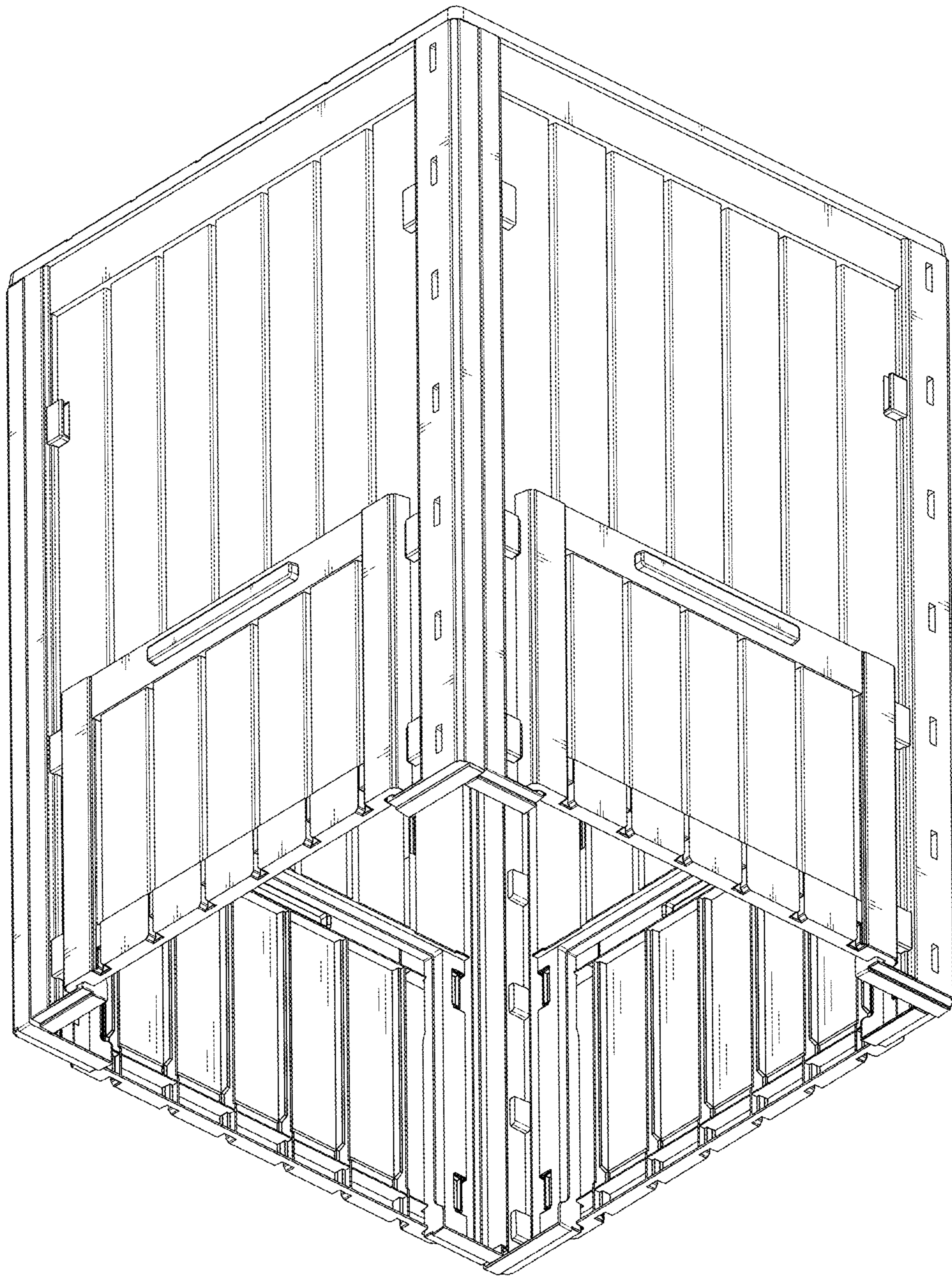


FIG. 1



FIG. 2

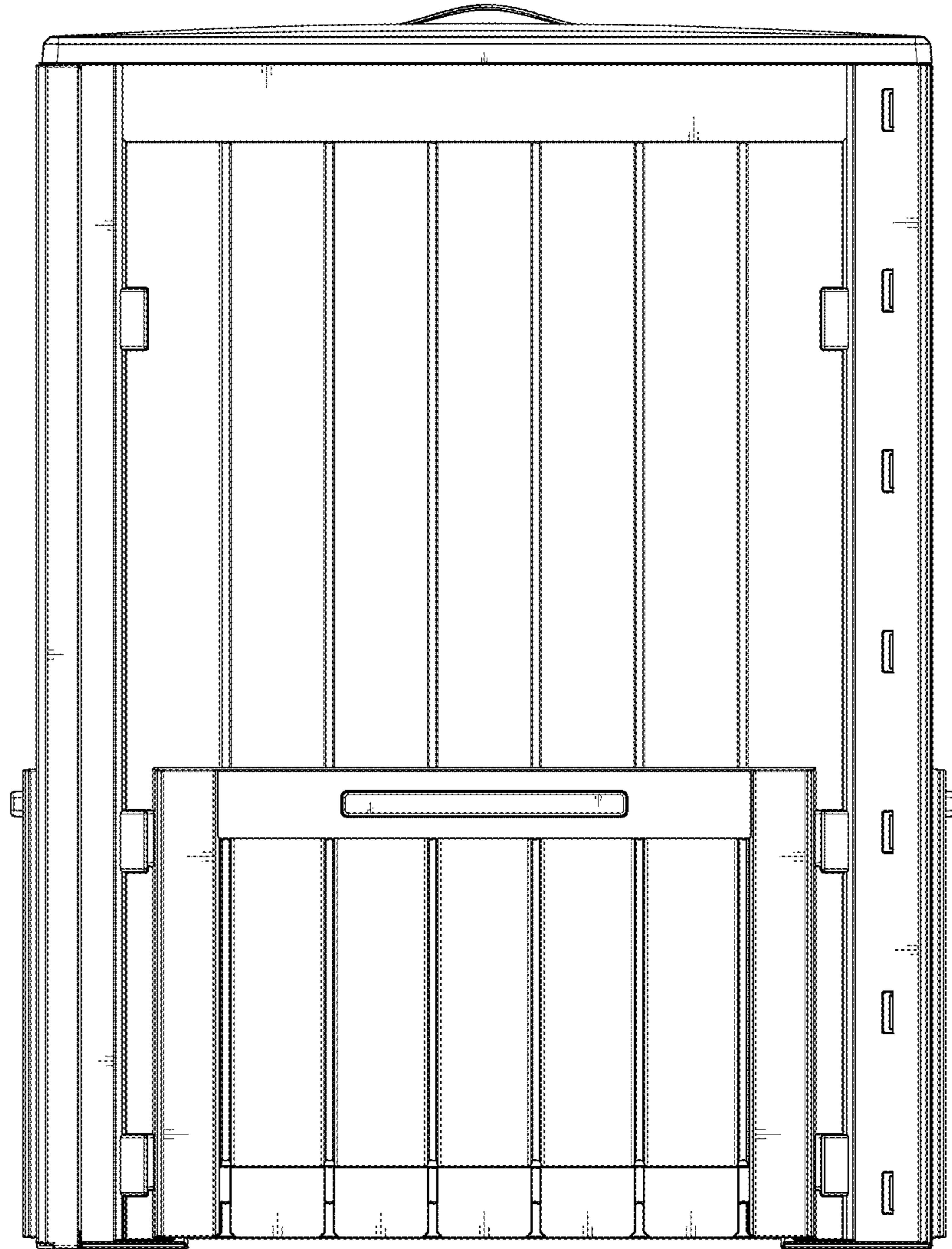


FIG. 3

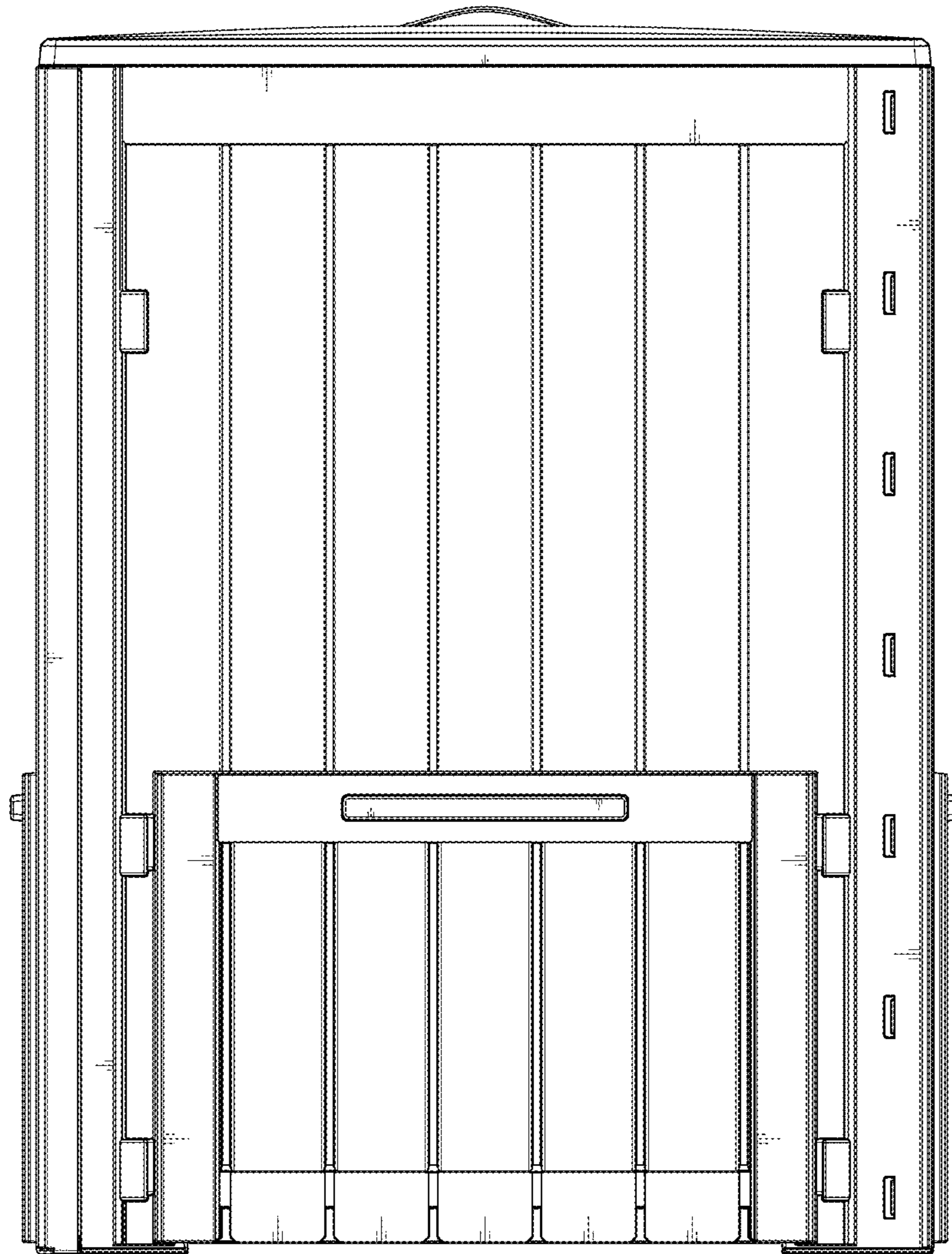


FIG. 4

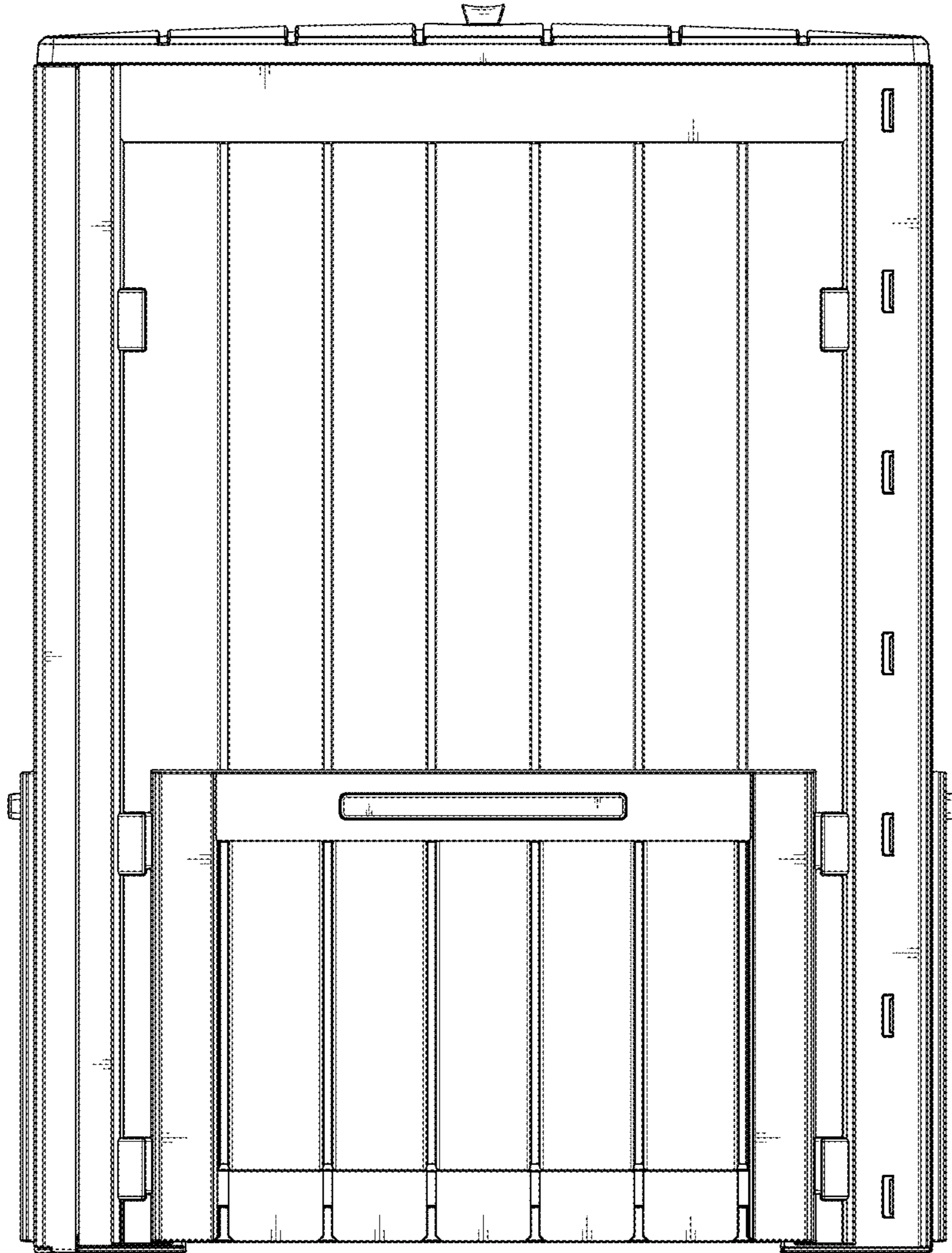


FIG. 5

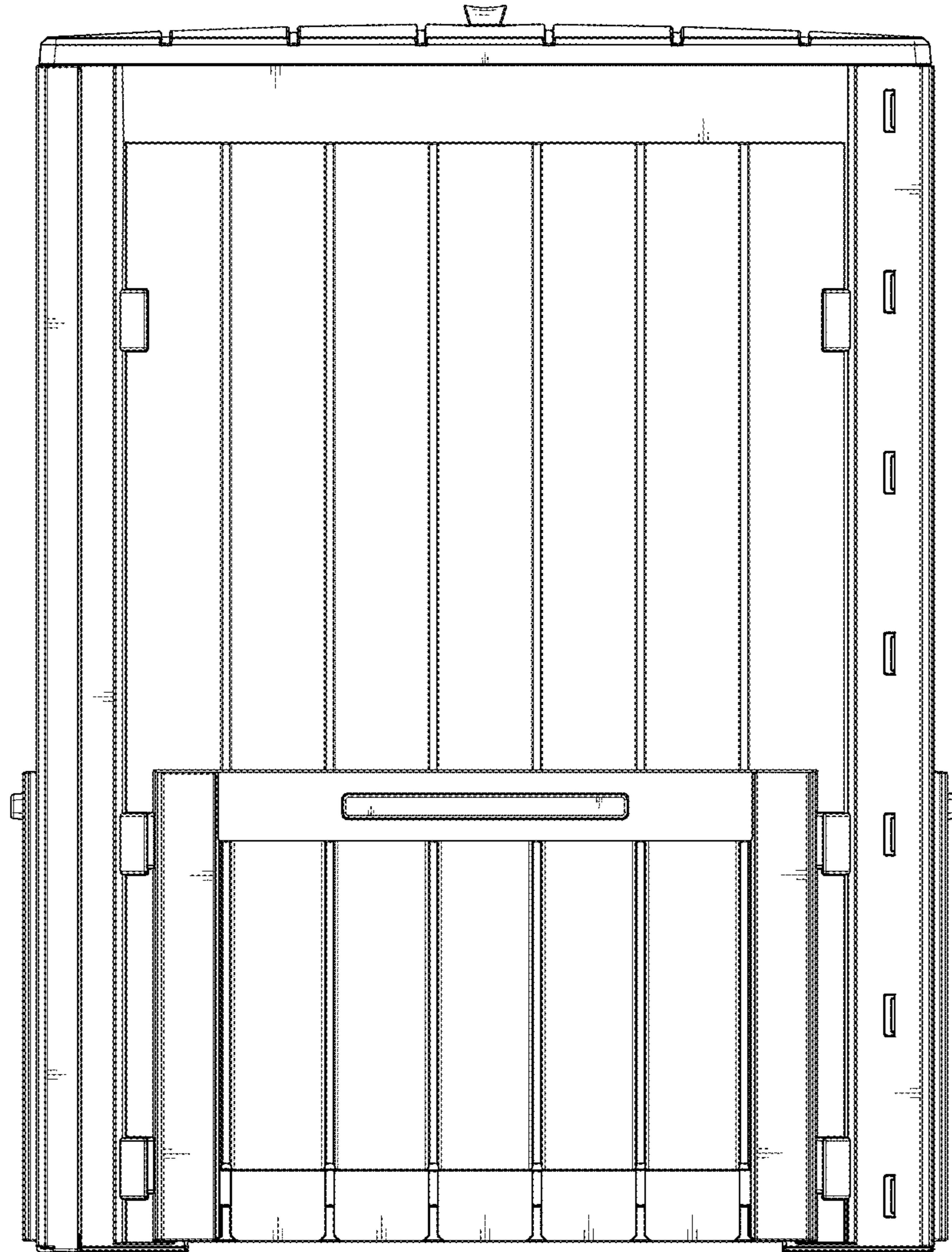


FIG. 6

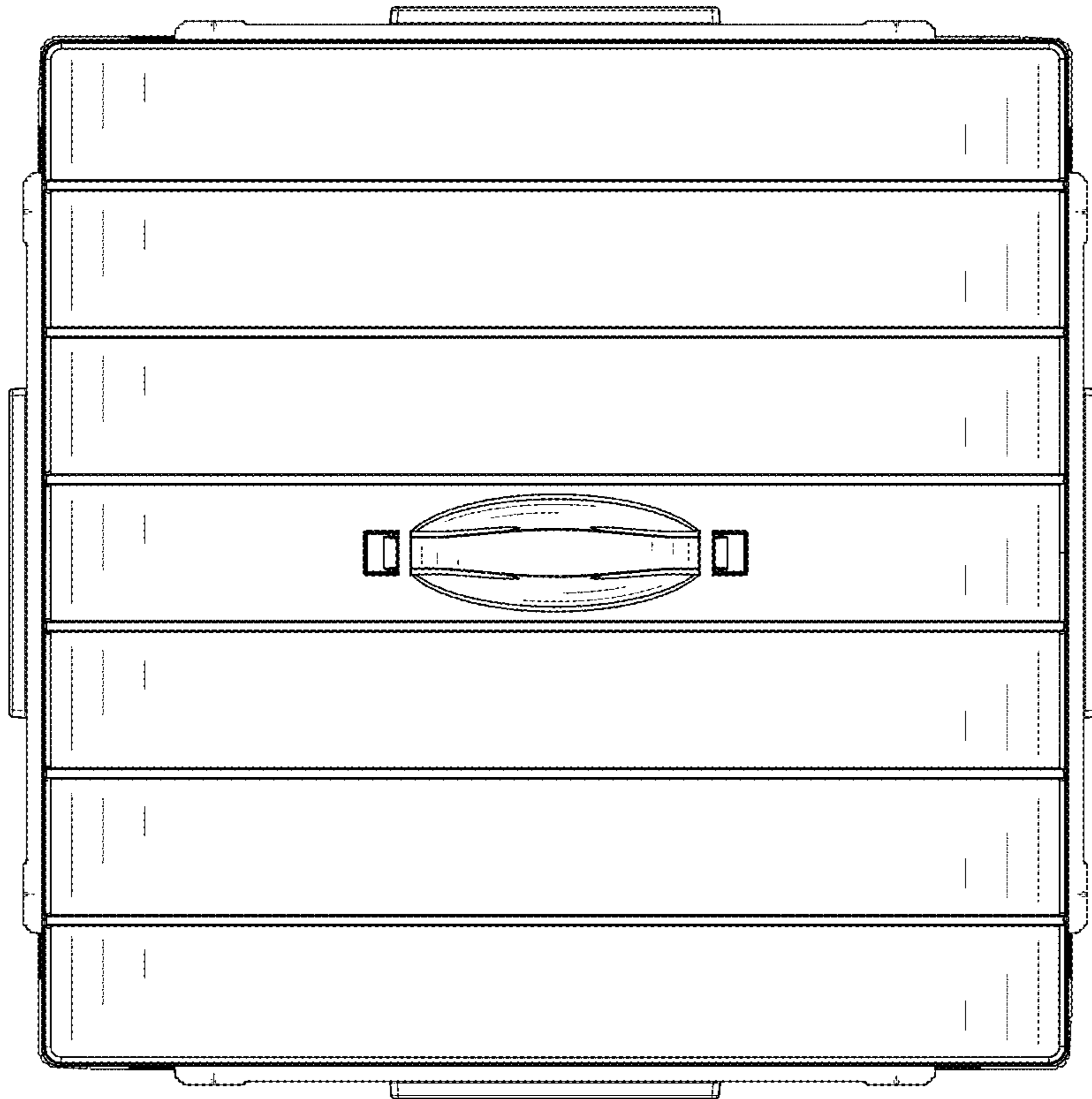


FIG. 7

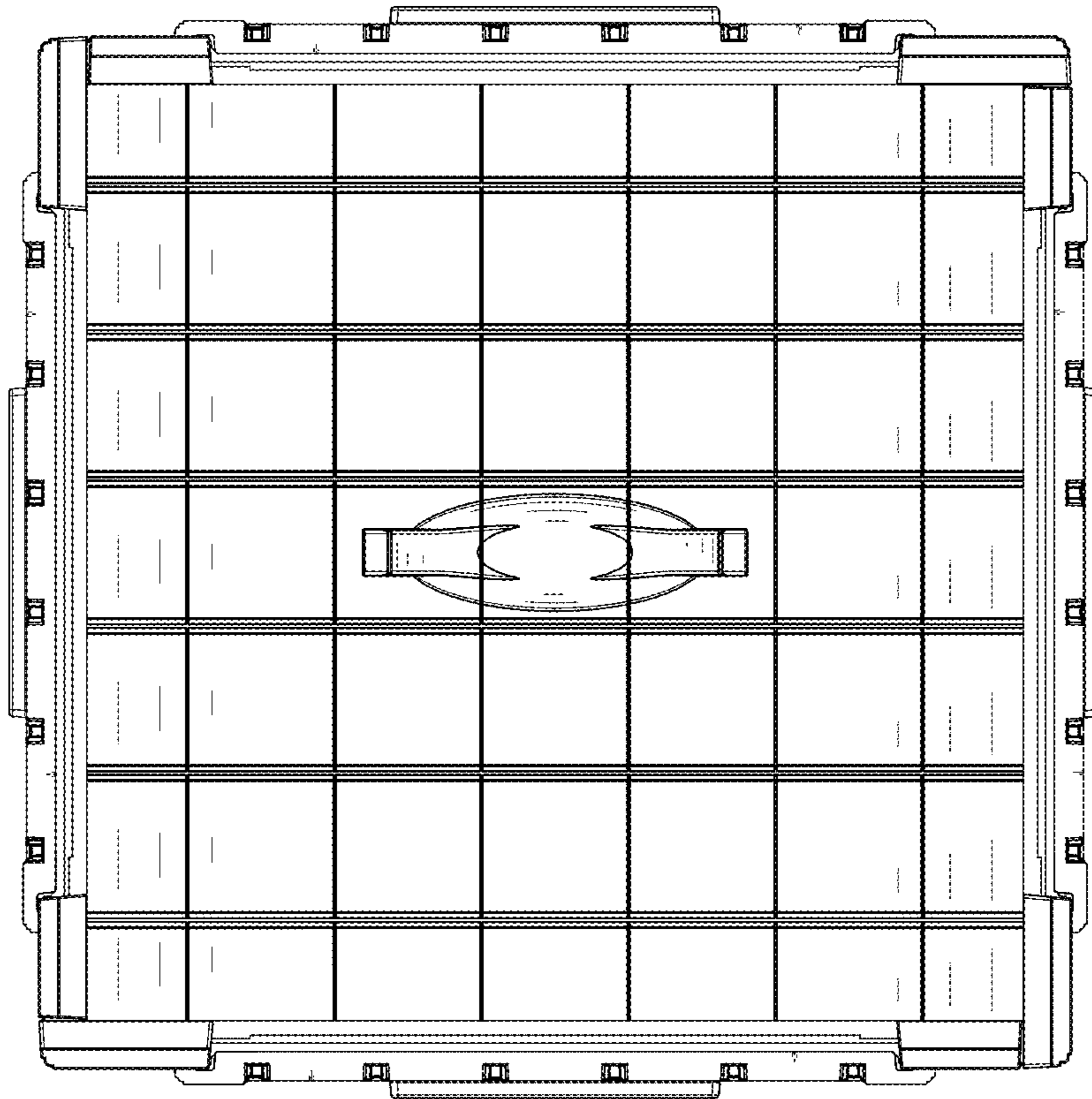


FIG. 8

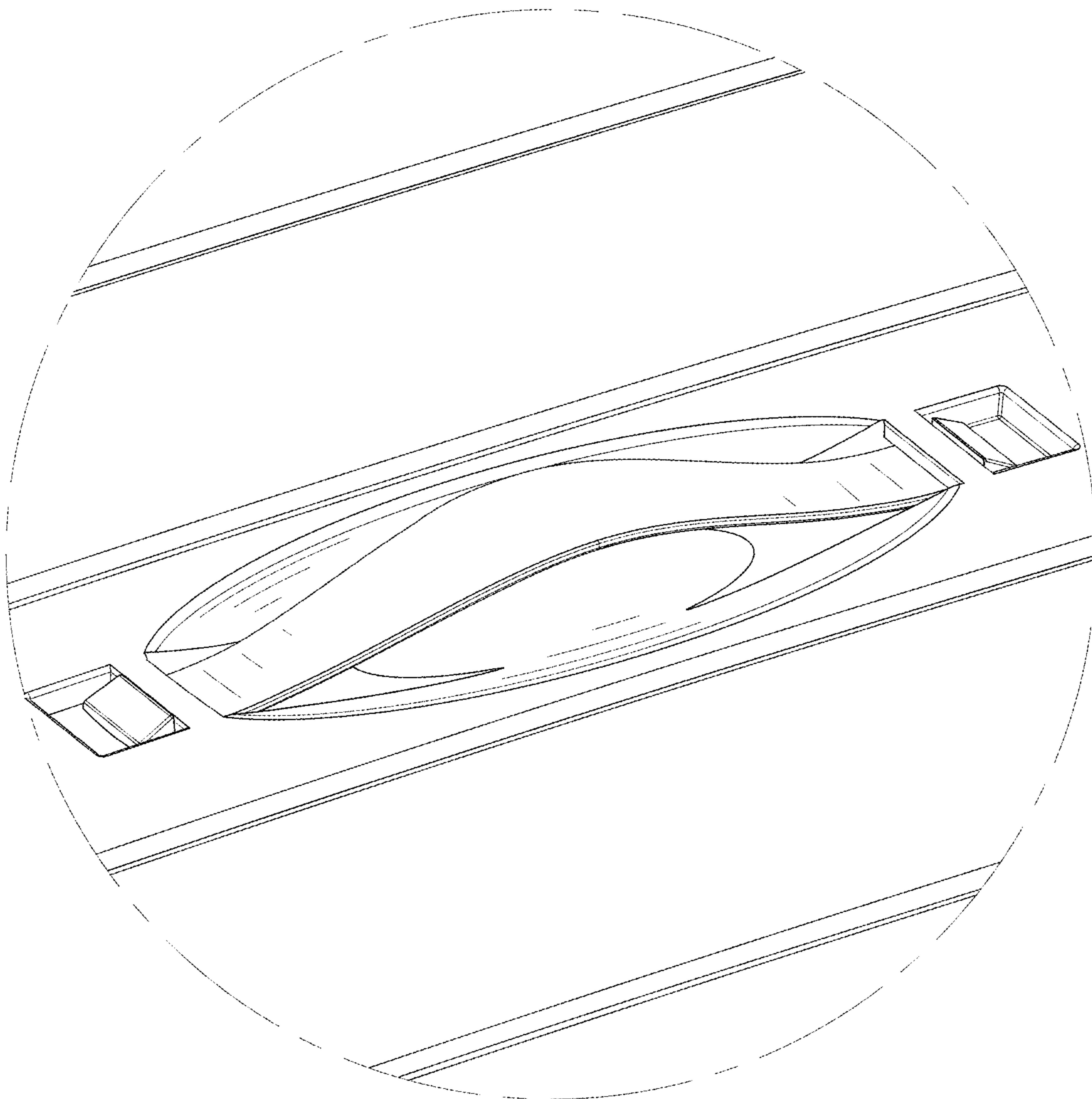


FIG. 9