



US00D965938S

(12) **United States Design Patent**
Kahra

(10) **Patent No.:** **US D965,938 S**

(45) **Date of Patent:** **** Oct. 4, 2022**

(54) **CONTAINER HOLDING DEVICE**

(71) Applicant: **Robert Kahra**, Big Bear Lake, CA
(US)

(72) Inventor: **Robert Kahra**, Big Bear Lake, CA
(US)

(**) Term: **15 Years**

(21) Appl. No.: **29/674,680**

(22) Filed: **Dec. 23, 2018**

Related U.S. Application Data

(63) Continuation of application No. 15/854,629, filed on
Dec. 26, 2017, now Pat. No. 10,189,298.

(51) **LOC (13) Cl.** **07-07**

(52) **U.S. Cl.**
USPC **D32/54**

(58) **Field of Classification Search**
USPC D7/688; D8/71, 349, 354-355, 380, 499;
D28/61; D32/53, 54; D34/28
CPC B44D 3/14; B65G 65/23; A45D 34/00
See application file for complete search history.

(56) **References Cited**

U.S. PATENT DOCUMENTS

- 992,480 A * 5/1911 Brown B65D 21/0204
D32/54
- 2,497,005 A * 2/1950 McConnell A47J 45/10
D7/688
- D252,439 S * 7/1979 Smith D32/54
- D303,467 S * 9/1989 Pepitone D32/54
- D306,507 S * 3/1990 Lund D32/54
- D311,327 S * 10/1990 Hughes D32/54

- D337,032 S * 7/1993 Galati D7/688
- D383,275 S * 9/1997 Hebert D32/54
- 5,772,163 A * 6/1998 Young A45D 40/265
248/405
- 10,011,475 B1 * 7/2018 Brekke B67D 3/0083
- 10,189,298 B2 * 1/2019 Kahra B44D 3/14
- D860,568 S * 9/2019 Webb D32/53
- 11,148,463 B2 * 10/2021 Crook B44D 3/127
- 2017/0050764 A1 * 2/2017 Caul, III B67D 3/0051

* cited by examiner

Primary Examiner — Dana Meyrow

(74) *Attorney, Agent, or Firm* — Houda El-Jarrah;
Christopher Mayle; Bold IP, PLLC

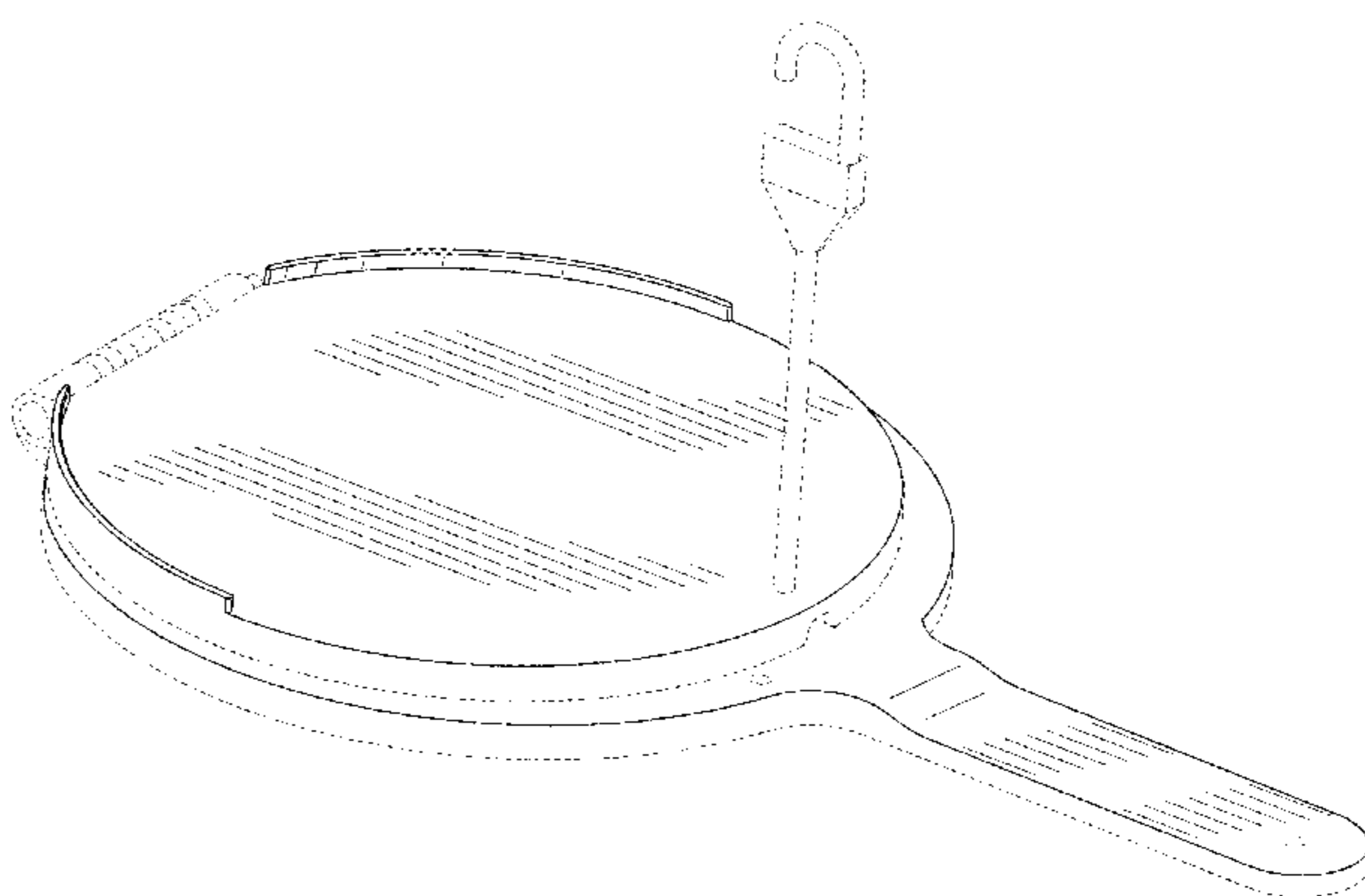
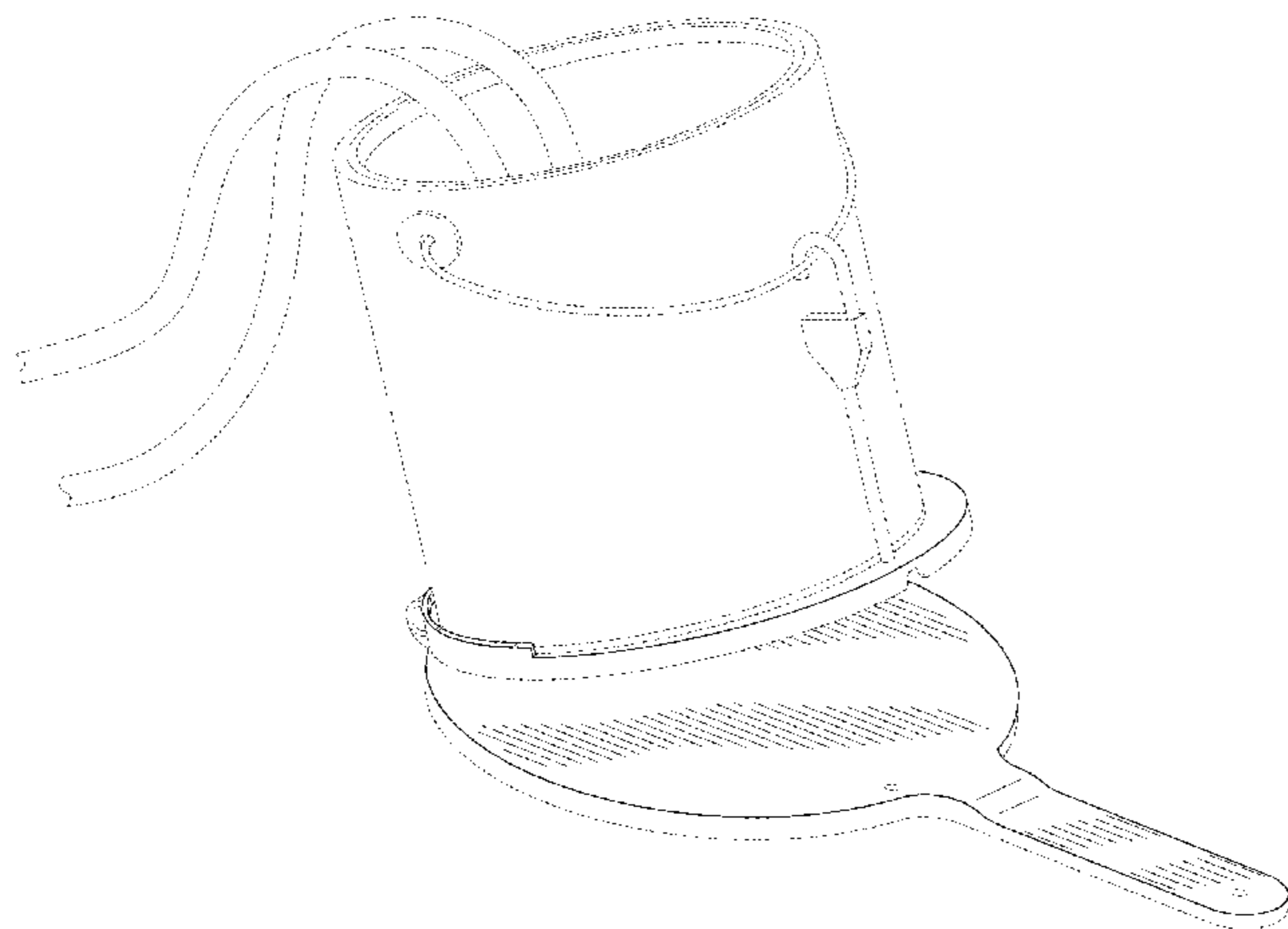
(57) **CLAIM**

The ornamental design for a container holding device, as
shown and described.

DESCRIPTION

FIG. 1 is a perspective view container holding device in an
expanded position having a container located on the con-
tainer holding device;
FIG. 2 is a perspective view of the container holding device
in a compressed position;
FIG. 3 is a perspective view of the container holding device
in a expanded position;
FIG. 4 is a front elevational view thereof;
FIG. 5 is a rear elevational view thereof;
FIG. 6 is a right side elevational view thereof;
FIG. 7 is a left side elevational view thereof;
FIG. 8 is a top elevational view thereof; and,
FIG. 9 is a bottom elevational view thereof.
The broken lines in the drawings illustrate the portions of the
container holding device and environmental structure that
form no part of the claimed design.

1 Claim, 9 Drawing Sheets



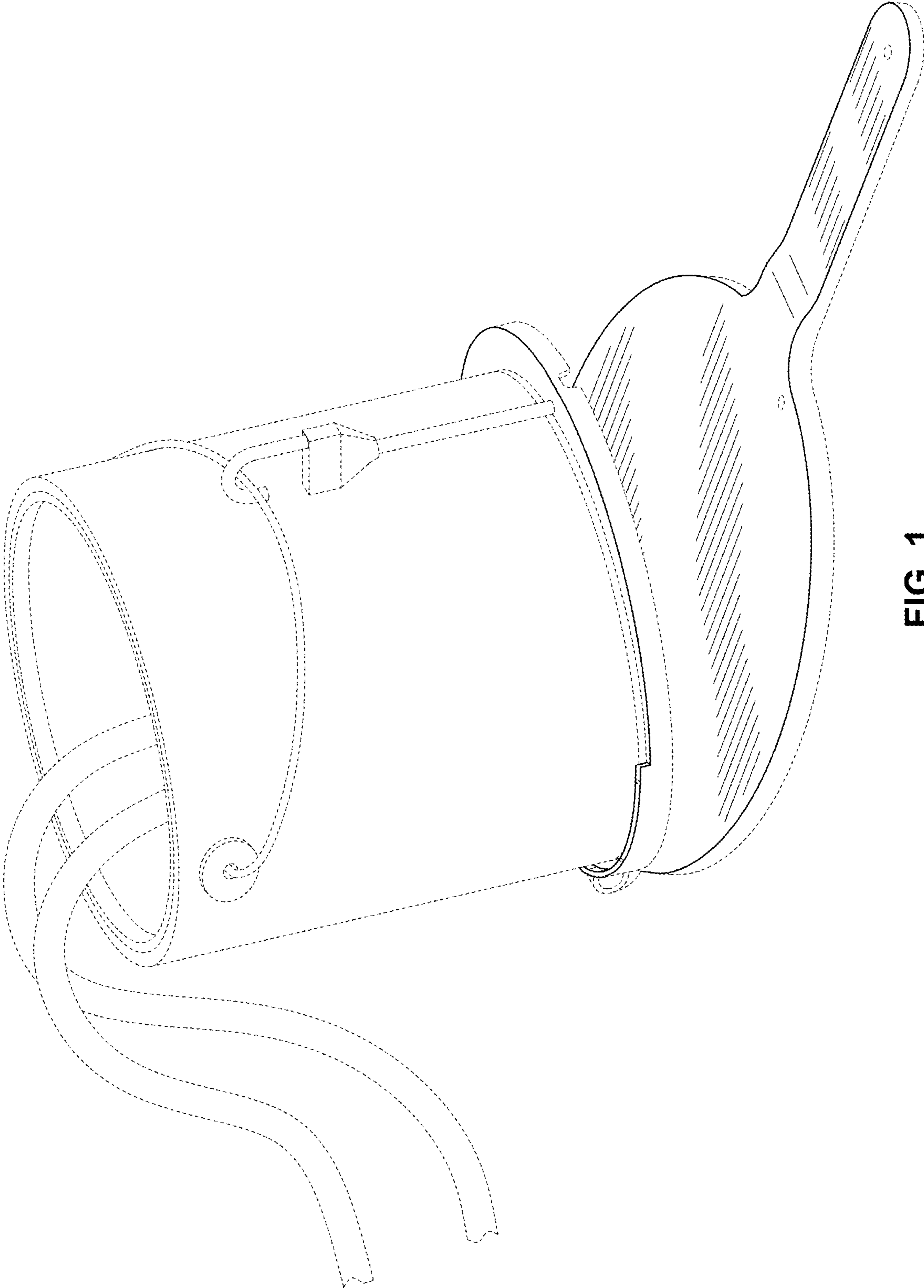


FIG. 1

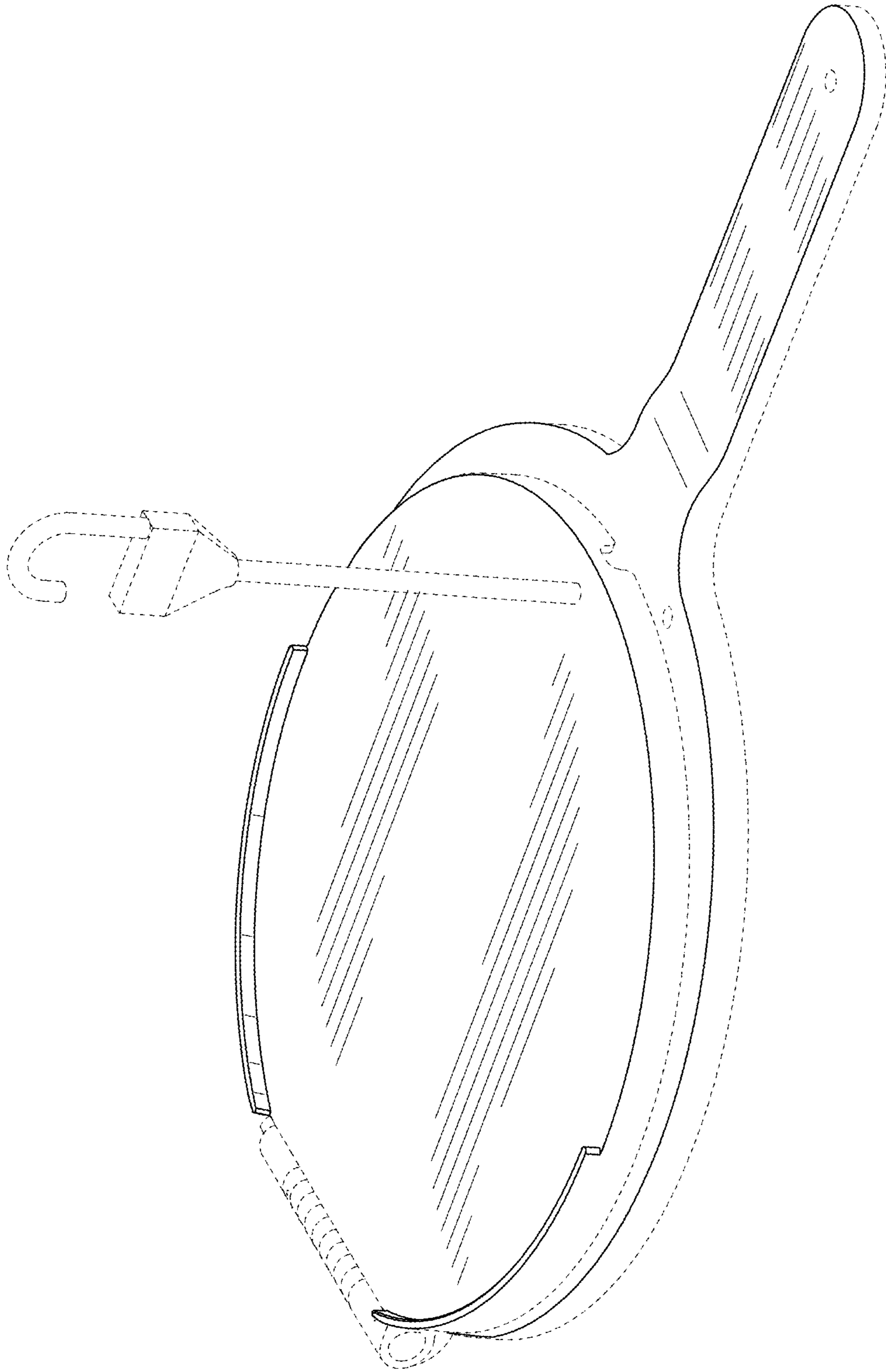


FIG. 2

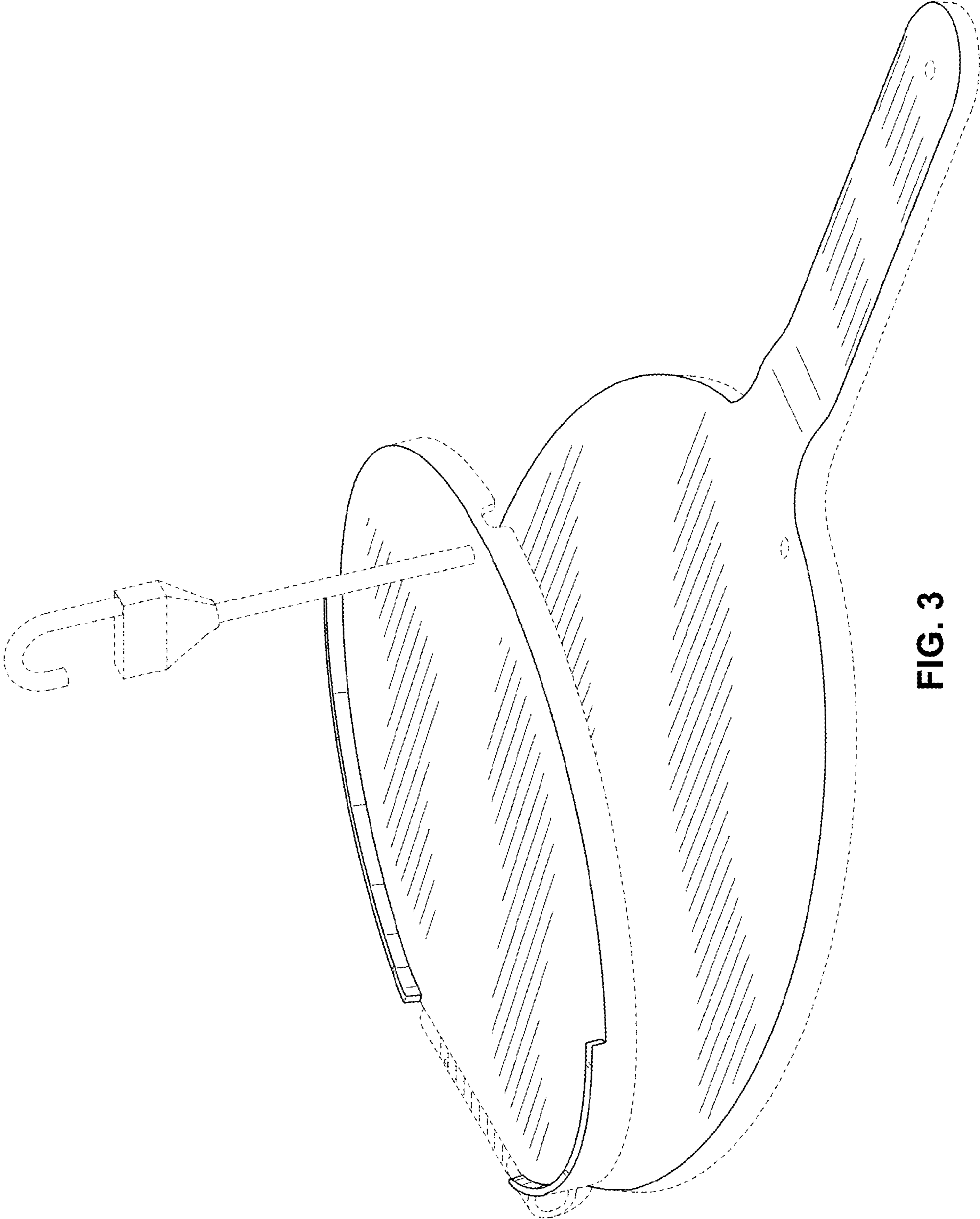


FIG. 3

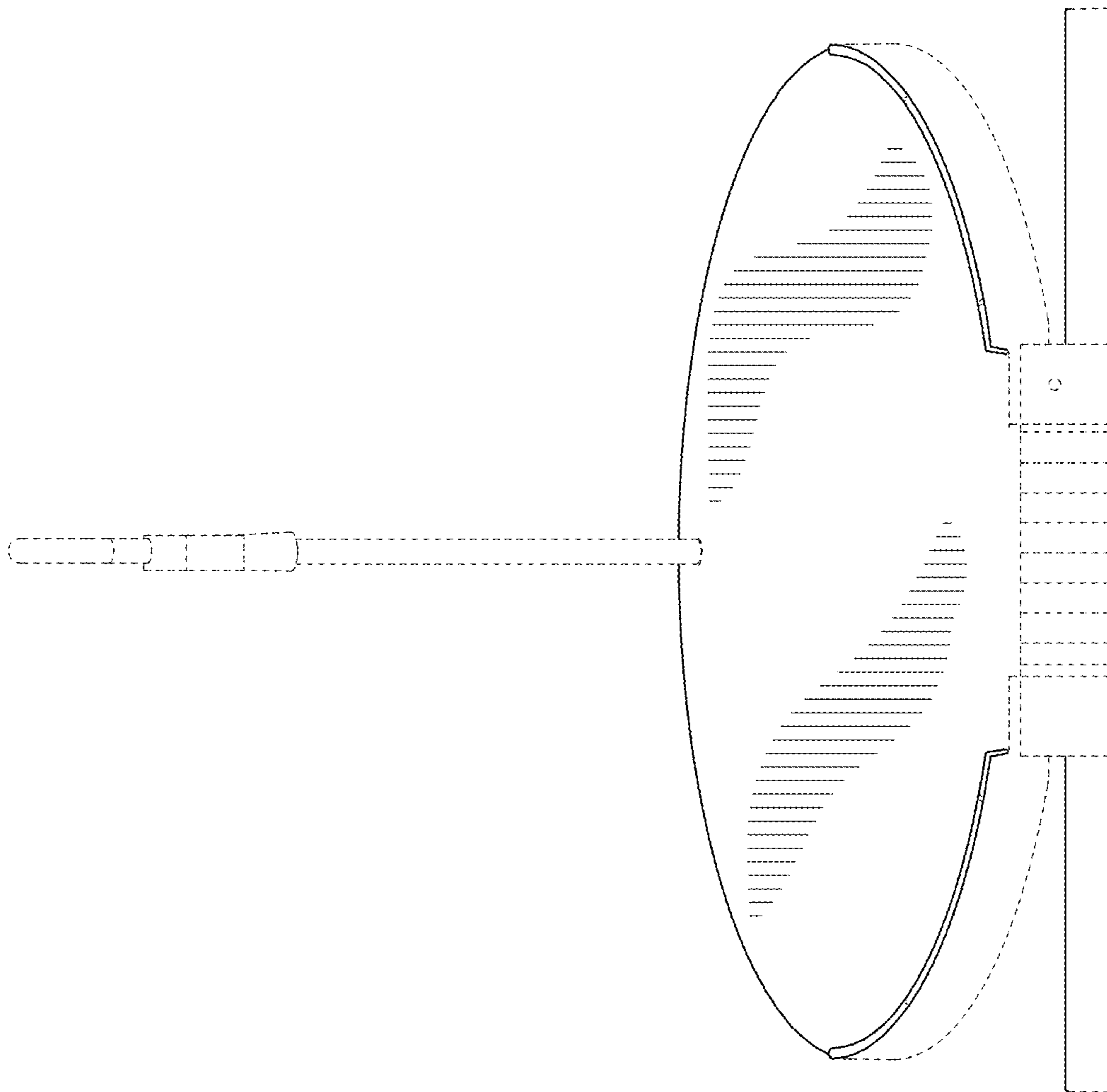


FIG. 4

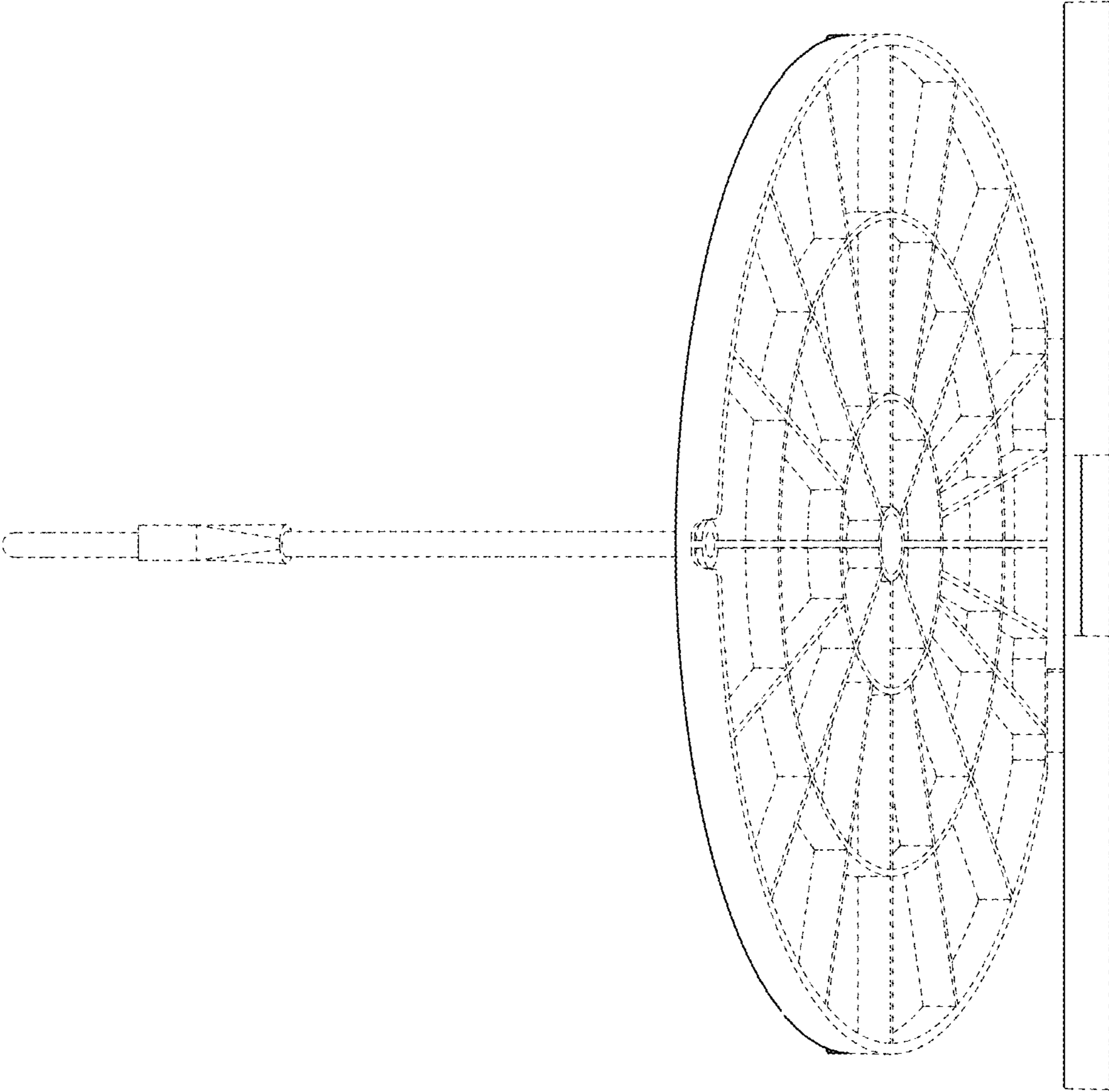


FIG. 5

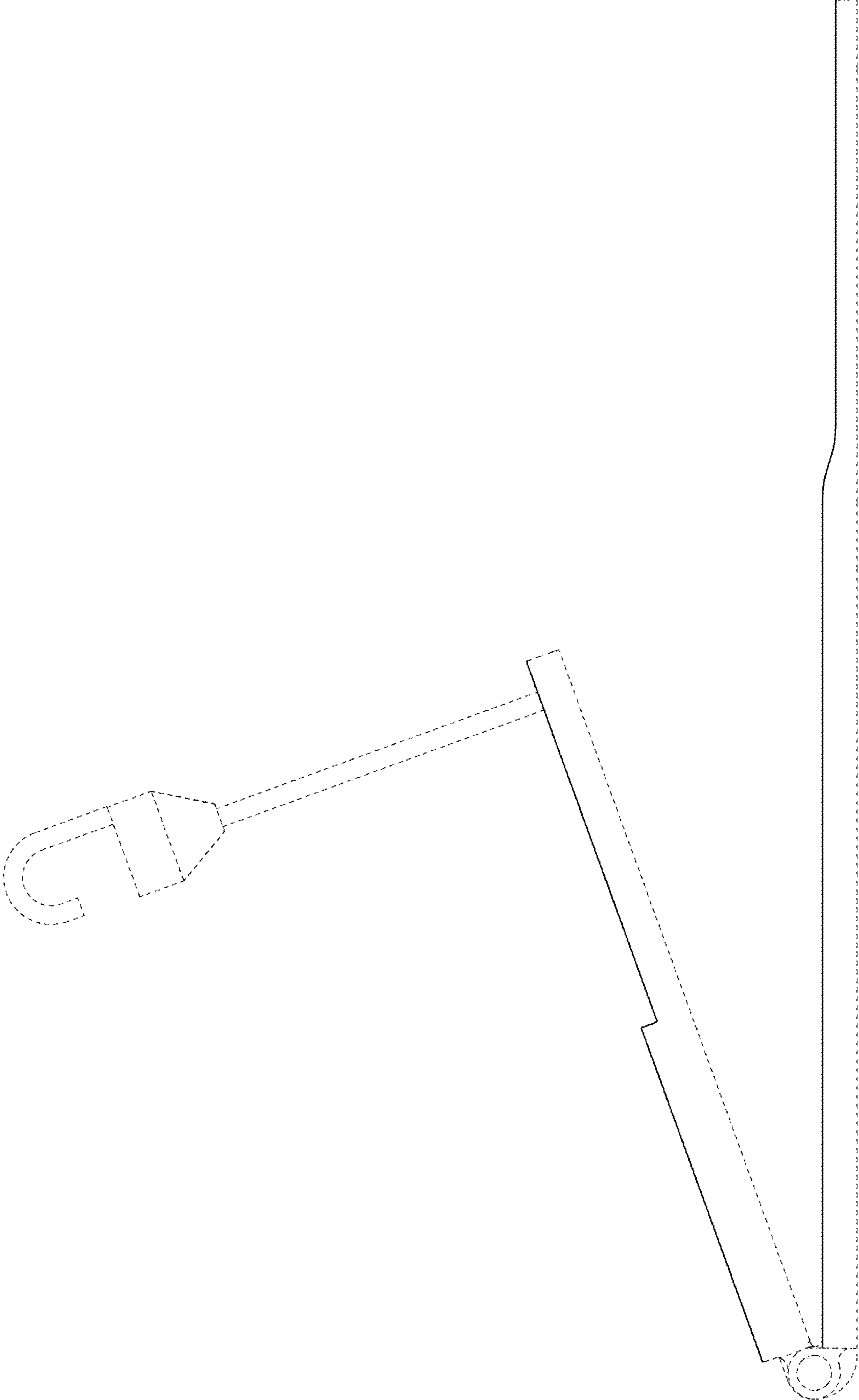


FIG. 6

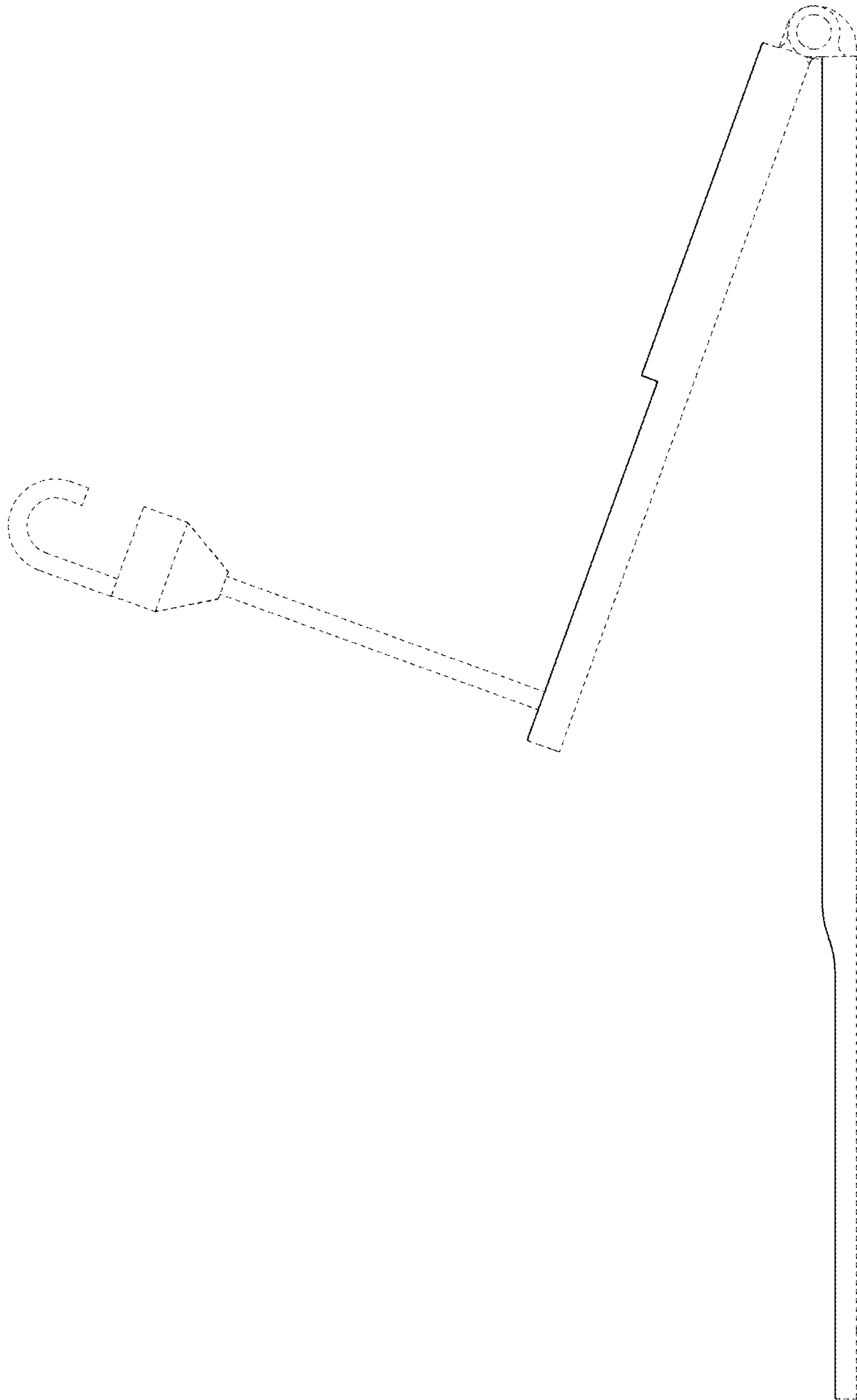


FIG. 7

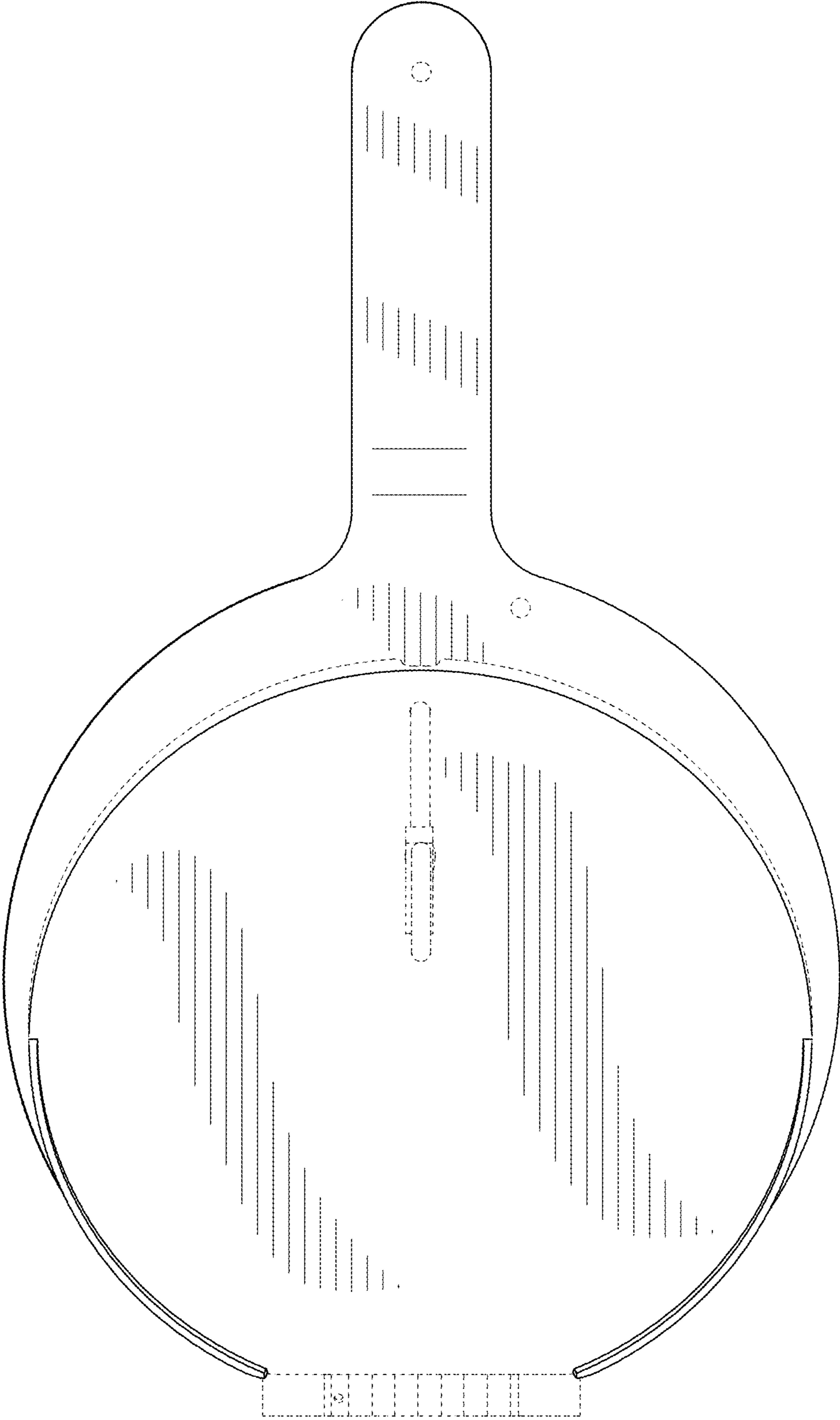


FIG. 8

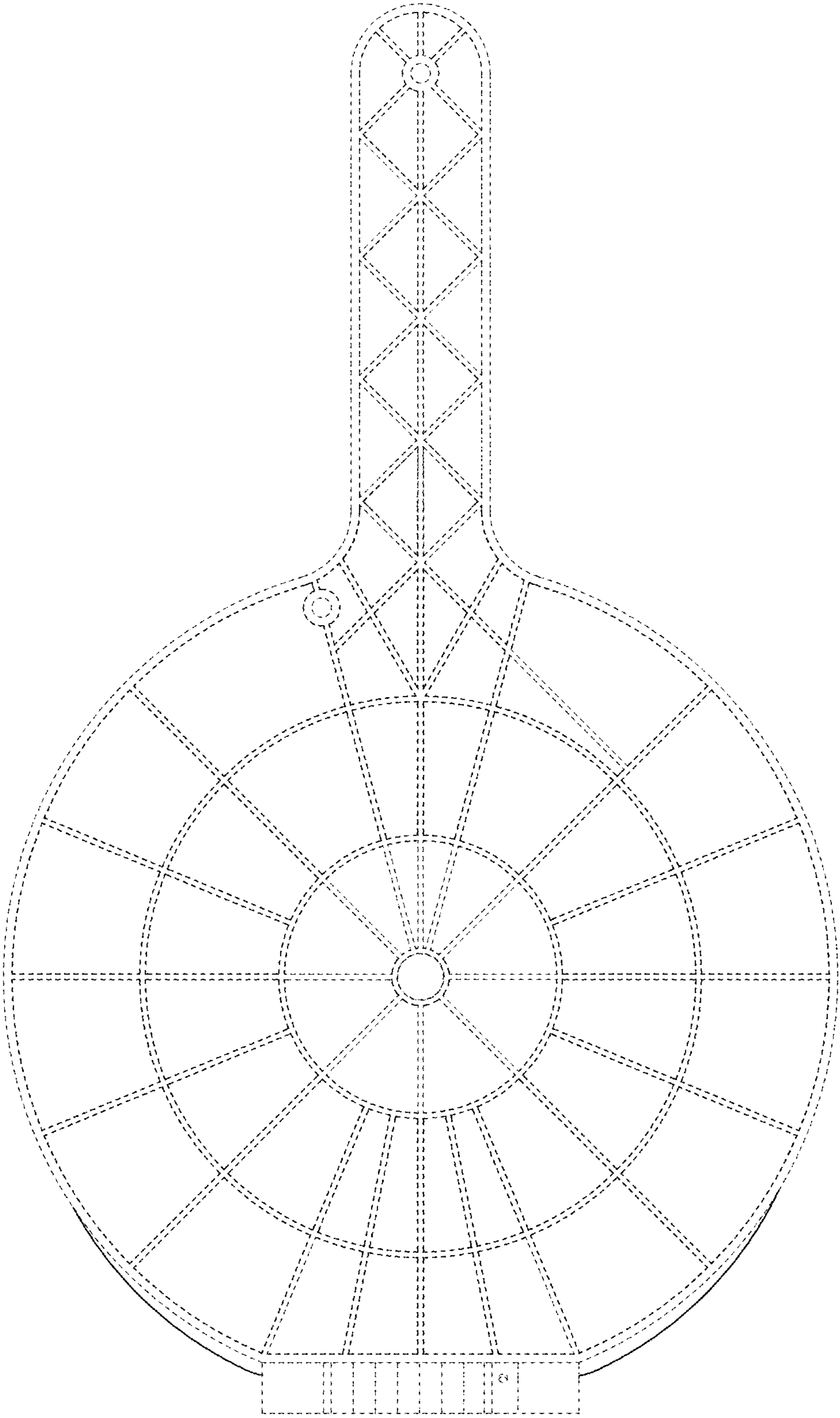


FIG. 9