



US00D965936S

(12) **United States Design Patent**
Zhang

(10) **Patent No.:** **US D965,936 S**
(45) **Date of Patent:** **** Oct. 4, 2022**

- (54) **CLEANING BRUSH**
- (71) Applicant: **SHANGHAI XINXIE INDUSTRIAL CO., LTD.,** Shanghai (CN)
- (72) Inventor: **Qinbing Zhang,** Shihezi (CN)
- (73) Assignee: **SHANGHAI XINXIE INDUSTRIAL CO., LTD.,** Shanghai (CN)
- (**) Term: **15 Years**
- (21) Appl. No.: **29/785,991**
- (22) Filed: **May 28, 2021**
- (51) **LOC (13) Cl.** **07-05**
- (52) **U.S. Cl.**
USPC **D32/50; D4/135**
- (58) **Field of Classification Search**
USPC D32/40-43, 50-52; D4/130, 132, D4/134-135
CPC A46B 15/00; A46B 3/18
See application file for complete search history.

- D637,006 S * 5/2011 Marsden D4/130
- D666,007 S * 8/2012 Harris D4/134
- D787,195 S 5/2017 Nakamura
- D825,187 S 8/2018 Luo
- 2009/0059569 A1* 3/2009 Quattrini, Jr. A46B 15/0002
362/119
- 2011/0308025 A1* 12/2011 Vosbikian A46B 7/042
15/115

(Continued)

FOREIGN PATENT DOCUMENTS

JP D1640497 * 9/2019

OTHER PUBLICATIONS

Eyliden Broom, Walmart website reviews 2021, site visited Aug. 8, 2022, <https://www.walmart.com/ip/Eyliden-Broom-Dust-Pan-Set-Bristles-Upright-Stand-Light-Weight-Long-Handle-Comb...>*

Primary Examiner — John R Yeh

(57) **CLAIM**

The ornamental design for a cleaning brush, as shown and described.

DESCRIPTION

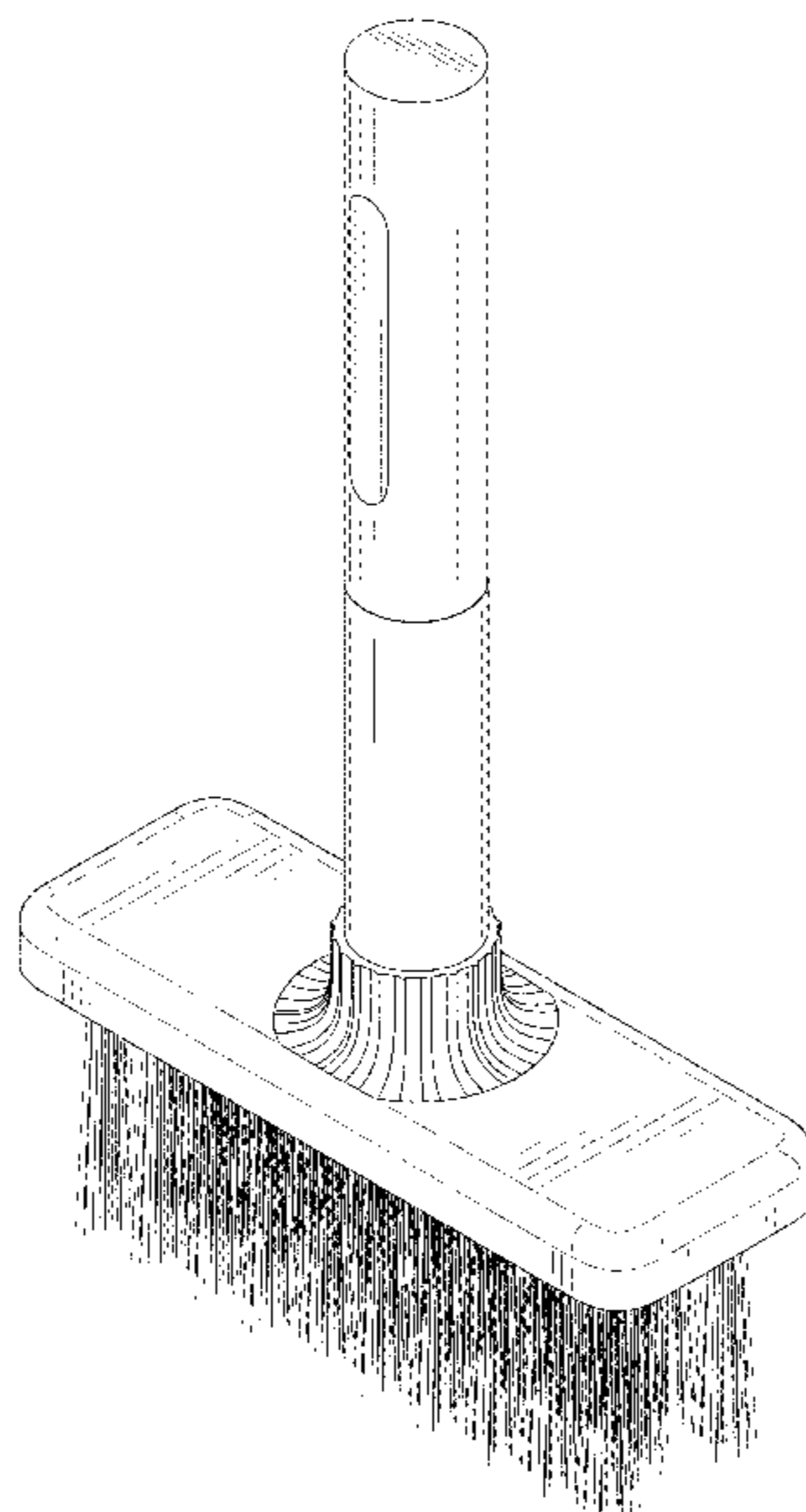
FIG. 1 is a perspective view of a cleaning brush showing my new design;
FIG. 2 is another perspective view thereof;
FIG. 3 is a front elevational view thereof;
FIG. 4 is a rear elevational view thereof;
FIG. 5 is a left side elevational view thereof;
FIG. 6 is a right side elevational view thereof;
FIG. 7 is a top plan view thereof;
FIG. 8 is a bottom plan view thereof; and,
FIG. 9 is an exploded perspective view of the cleaning brush.
The broken lines in the drawings depict portions of the cleaning brush that form no part of the claimed design.

1 Claim, 9 Drawing Sheets

(56) **References Cited**

U.S. PATENT DOCUMENTS

- D242,893 S * 1/1977 Silver D4/137
- 4,399,580 A * 8/1983 Stark A46B 5/002
15/176.1
- D278,099 S * 3/1985 Evans D4/130
- D285,736 S * 9/1986 Seely D32/51
- D297,872 S * 9/1988 Silver D32/52
- D299,289 S * 1/1989 Machacek D4/134
- D312,156 S * 11/1990 Dowlat D32/51
- D312,339 S * 11/1990 Nero, III D32/51
- 4,991,246 A * 2/1991 DeCicco A46B 17/08
D4/118
- D331,151 S * 11/1992 Kiefer D4/134
- 5,319,823 A * 6/1994 Baum A46B 15/00
15/176.3
- D360,985 S * 8/1995 Geigle D4/115
- D368,346 S * 3/1996 Kiefer D32/50



(56)

References Cited

U.S. PATENT DOCUMENTS

2014/0196226 A1* 7/2014 Spencer A46B 15/0055
15/21.1
2020/0281435 A1* 9/2020 Ting A47L 13/20

* cited by examiner

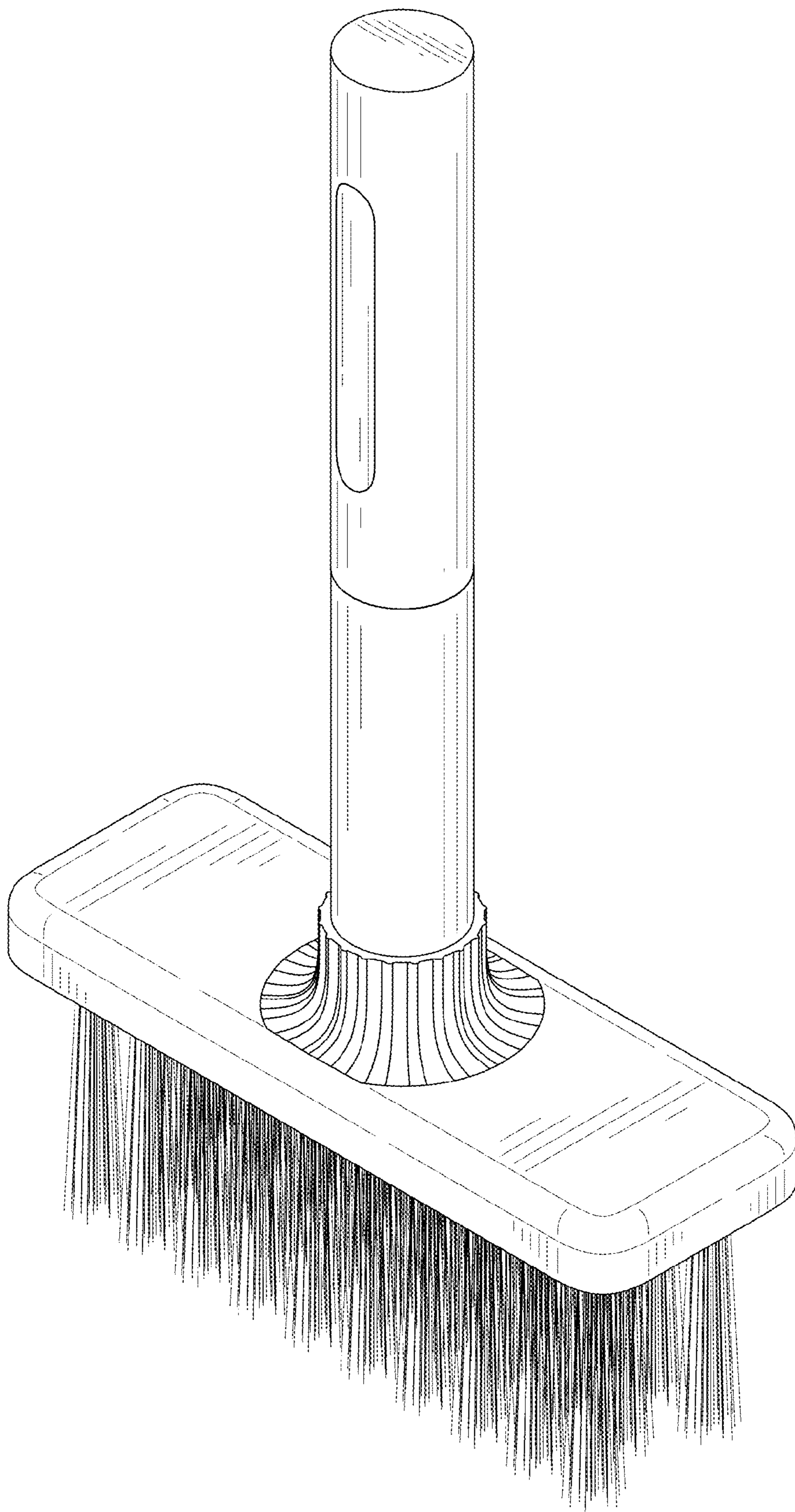


FIG. 1

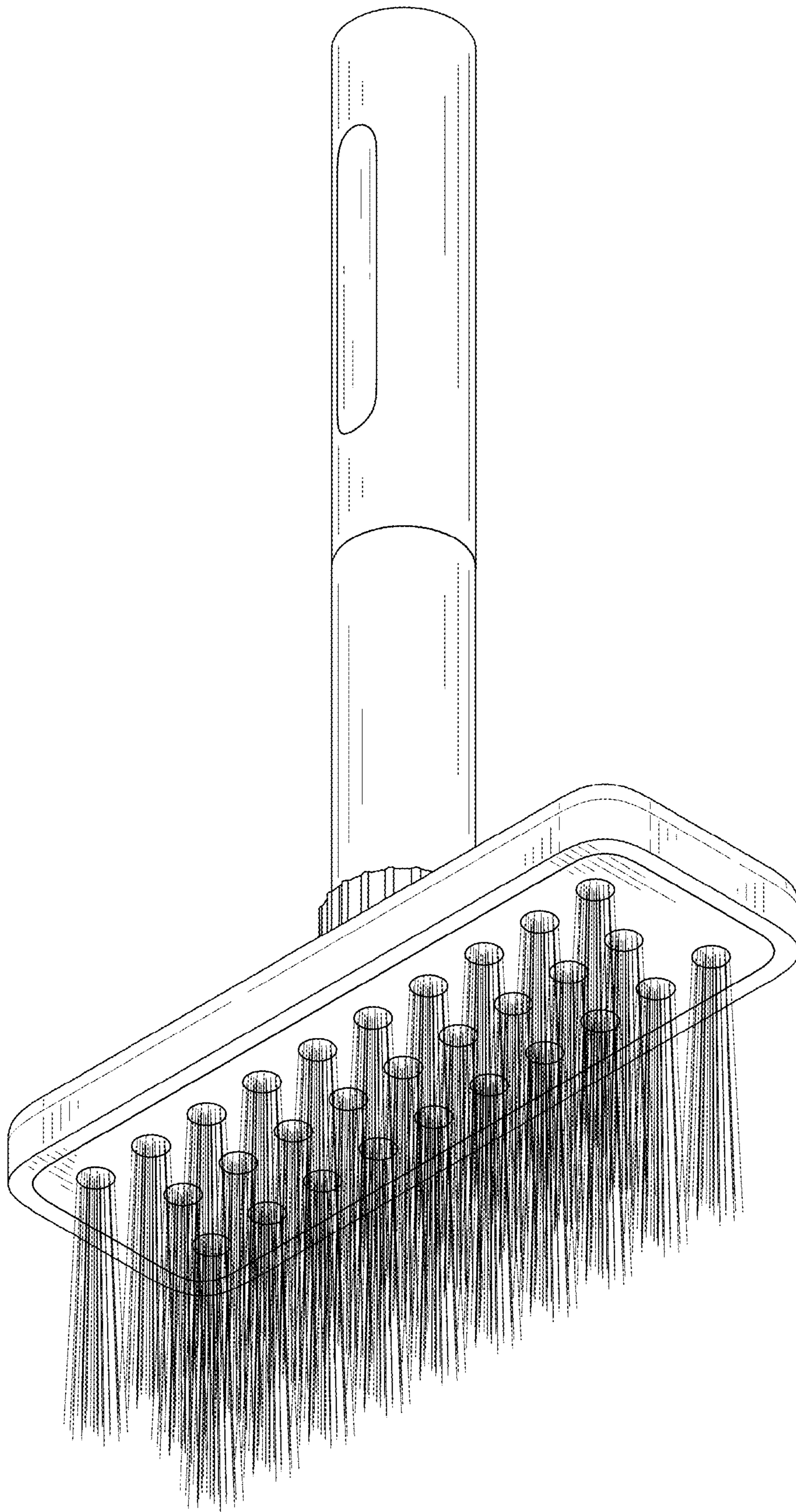


FIG. 2

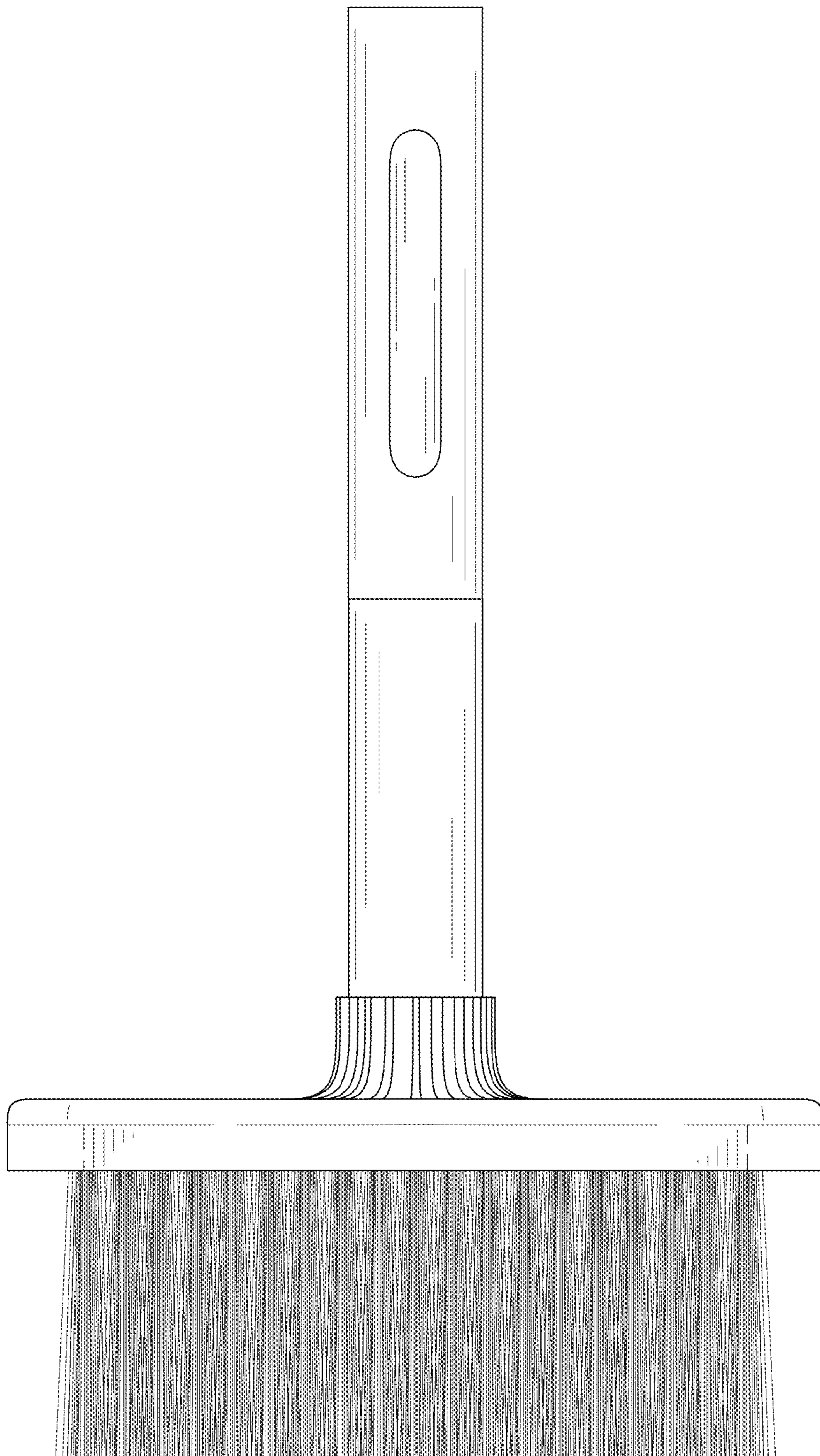


FIG. 3

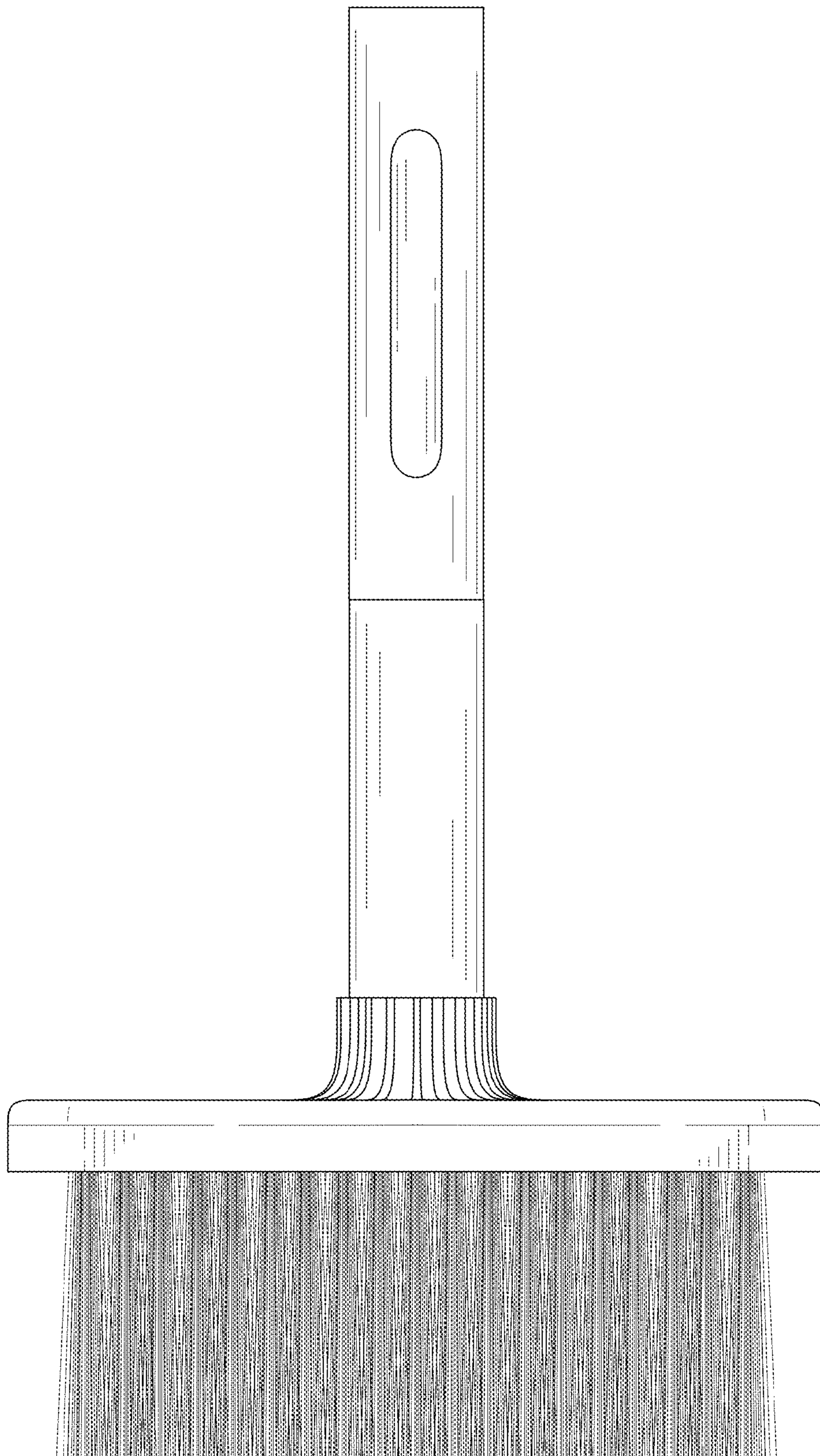


FIG. 4

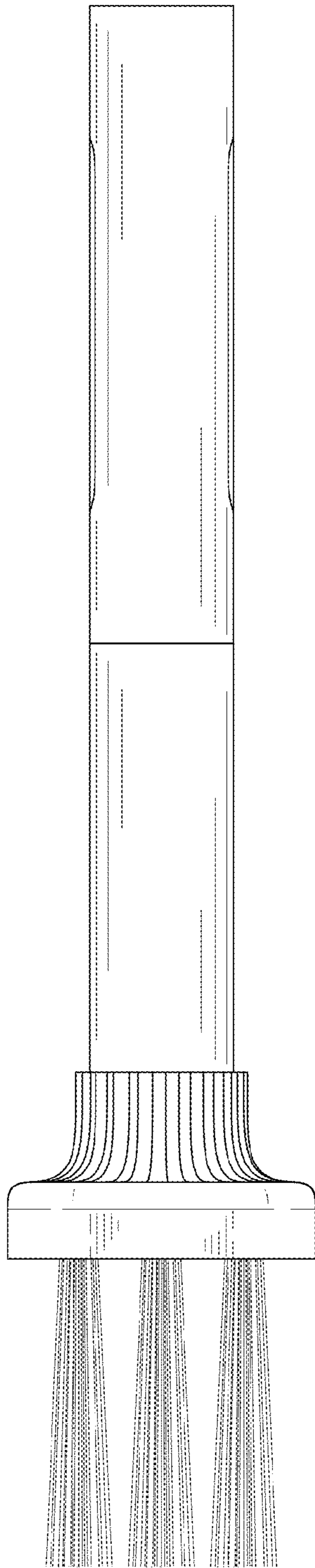


FIG. 5

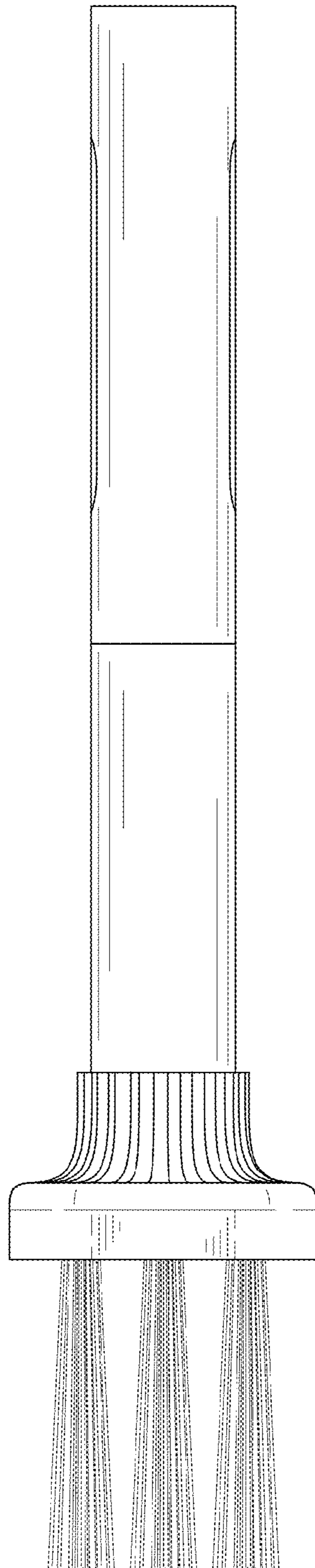


FIG. 6

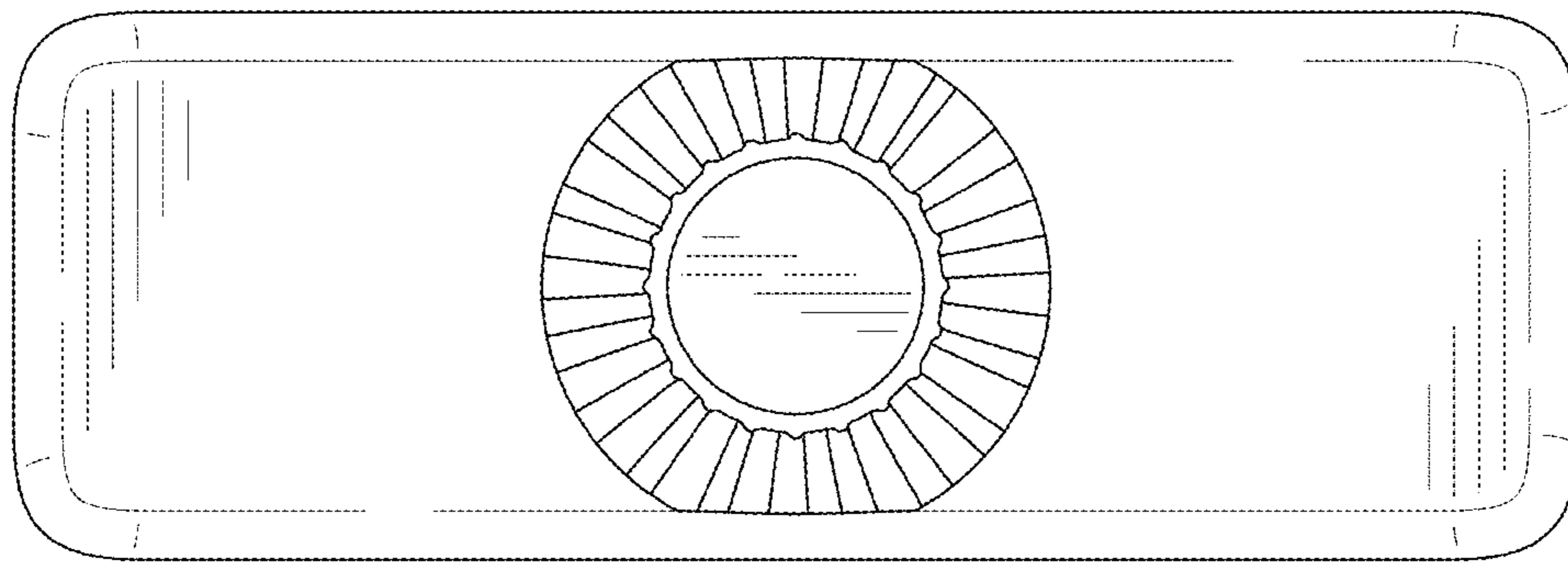


FIG. 7

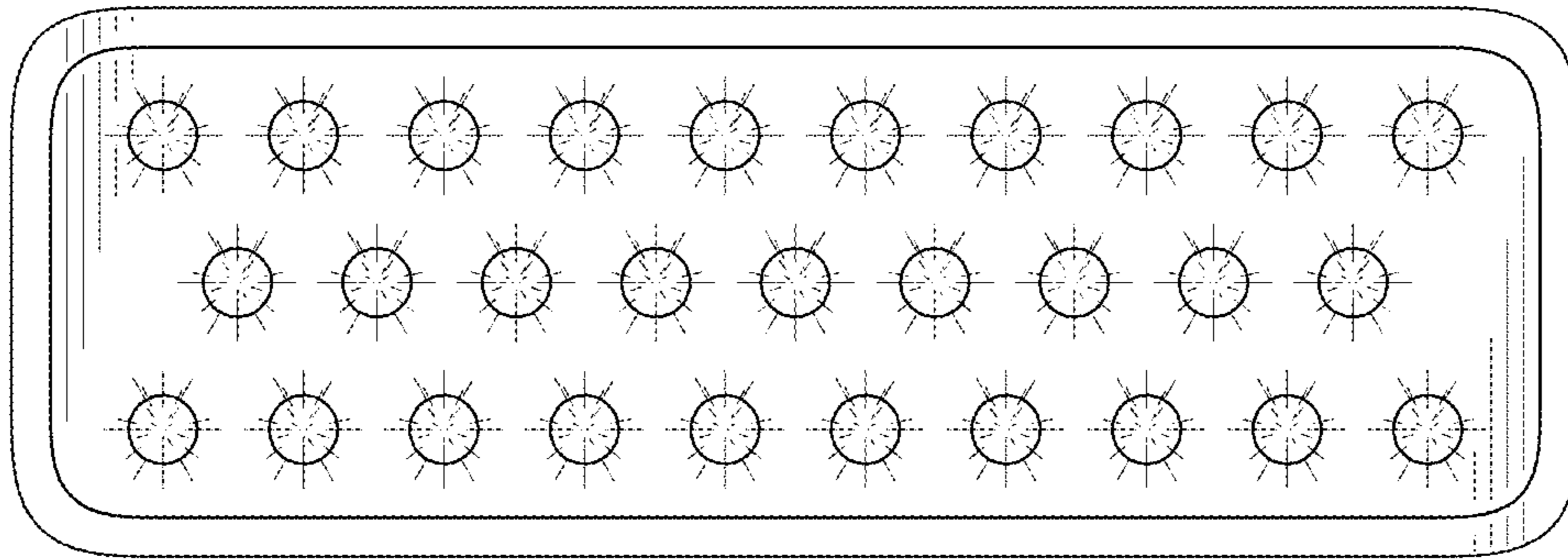


FIG. 8

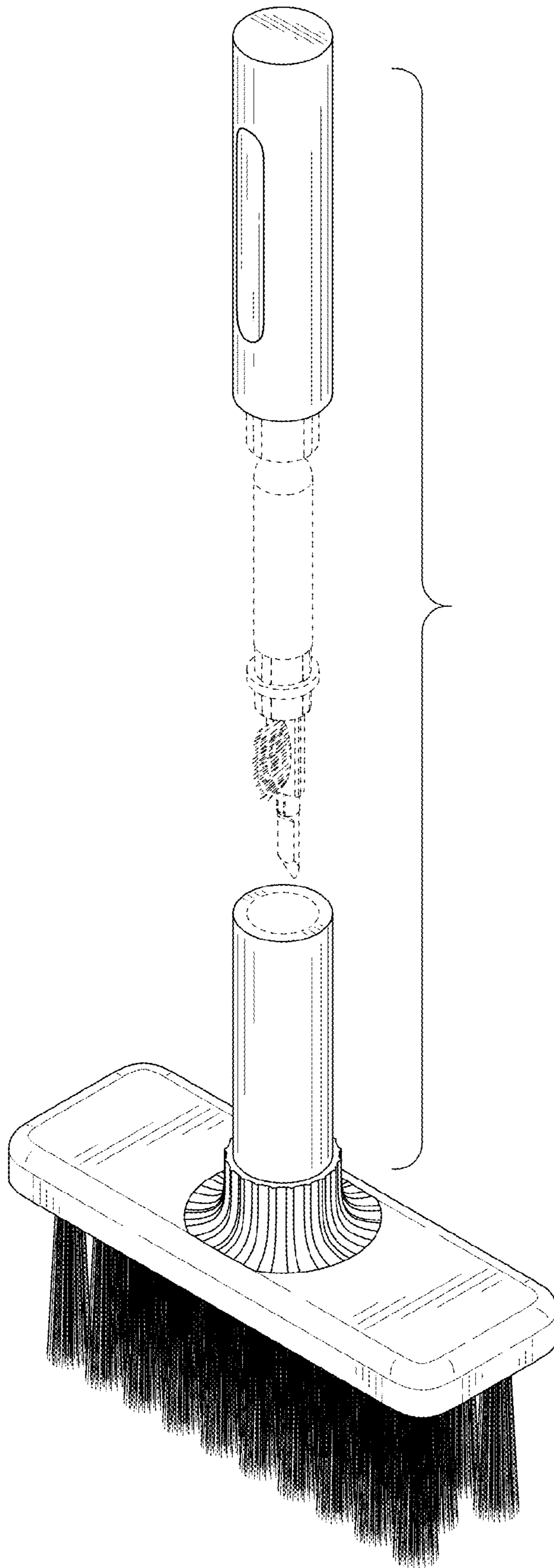


FIG. 9