



US00D965934S

(12) **United States Design Patent**
Zhao et al.

(10) **Patent No.:** **US D965,934 S**
(45) **Date of Patent:** **** Oct. 4, 2022**

(54) **HAIR REMOVER**

(71) Applicant: **Yangzhou Xiaoyi Intelligent Technology Co., Ltd**, Yangzhou (CN)

(72) Inventors: **Kang Zhao**, Yangzhou (CN);
Zhengyuan Jiang, Yangzhou (CN)

(73) Assignee: **Yangzhou Xiaoyi Intelligent Technology Co., Ltd**, Yangzhou (CN)

(**) Term: **15 Years**

(21) Appl. No.: **29/752,703**

(22) Filed: **Sep. 29, 2020**

(30) **Foreign Application Priority Data**

May 11, 2020 (CN) 202030210080.X

(51) **LOC (13) Cl.** **07-05**

(52) **U.S. Cl.**
USPC **D32/35**

(58) **Field of Classification Search**
USPC D28/9, 44, 44.1, 50, 52-54; D24/133,
D24/209, 214; D30/158, 159; D32/35,
D32/40; D4/122, 138
CPC B26B 19/00; B26B 19/10; B26B 19/12;
B26B 19/02; B26B 19/04; B26B 19/38;
A61B 2018/0047; A45D 26/00; A45D
26/0004-0009; A45D 26/0057; A45D
26/0071; A45D 2026/0095; A01K 13/00
See application file for complete search history.

(56) **References Cited**

U.S. PATENT DOCUMENTS

1,480,562 A * 1/1924 Mock A47L 13/52
15/341
2,755,494 A * 7/1956 Bredin A47L 25/005
15/104.002
D422,765 S * 4/2000 Viola D32/35
D437,095 S * 1/2001 Osiecki D32/40
D556,408 S * 11/2007 Lang D32/52

D841,912 S * 2/2019 Renner D32/40
D866,071 S * 11/2019 Luo D28/50
D902,513 S * 11/2020 Talebi D32/40
D910,246 S * 2/2021 Zhang D30/159
2006/0249094 A1* 11/2006 Hellyer A01K 13/002
119/631
2009/0126649 A1* 5/2009 Porter A01K 13/002
119/601
2019/0246764 A1* 8/2019 Ott A45D 24/04
2020/0128789 A1* 4/2020 Gates A46B 15/0053

OTHER PUBLICATIONS

Htovila ELS Pet Hair Remover, Walmart.com, retrieved on Dec. 3, 2021, retrieved from the Internet URL: <https://www.walmart.com/ip/Htovila-ELS-Pet-Hair-Remover-Cat-Hair-Cleaner-Roller-with-Large-Storage-Box-for-Furniture-Couch-Carpet-Car-Seat/399941292>.*

Customized Roller Pet Hair Remover ELS PET, retrieved on Dec. 3, 2021, retrieved from the Internet URL: <https://www.els-pet.com/pet-grooming/pet-hair-removal/roller-pet-hair-remover.html>.*

* cited by examiner

Primary Examiner — Alison M Ofstun

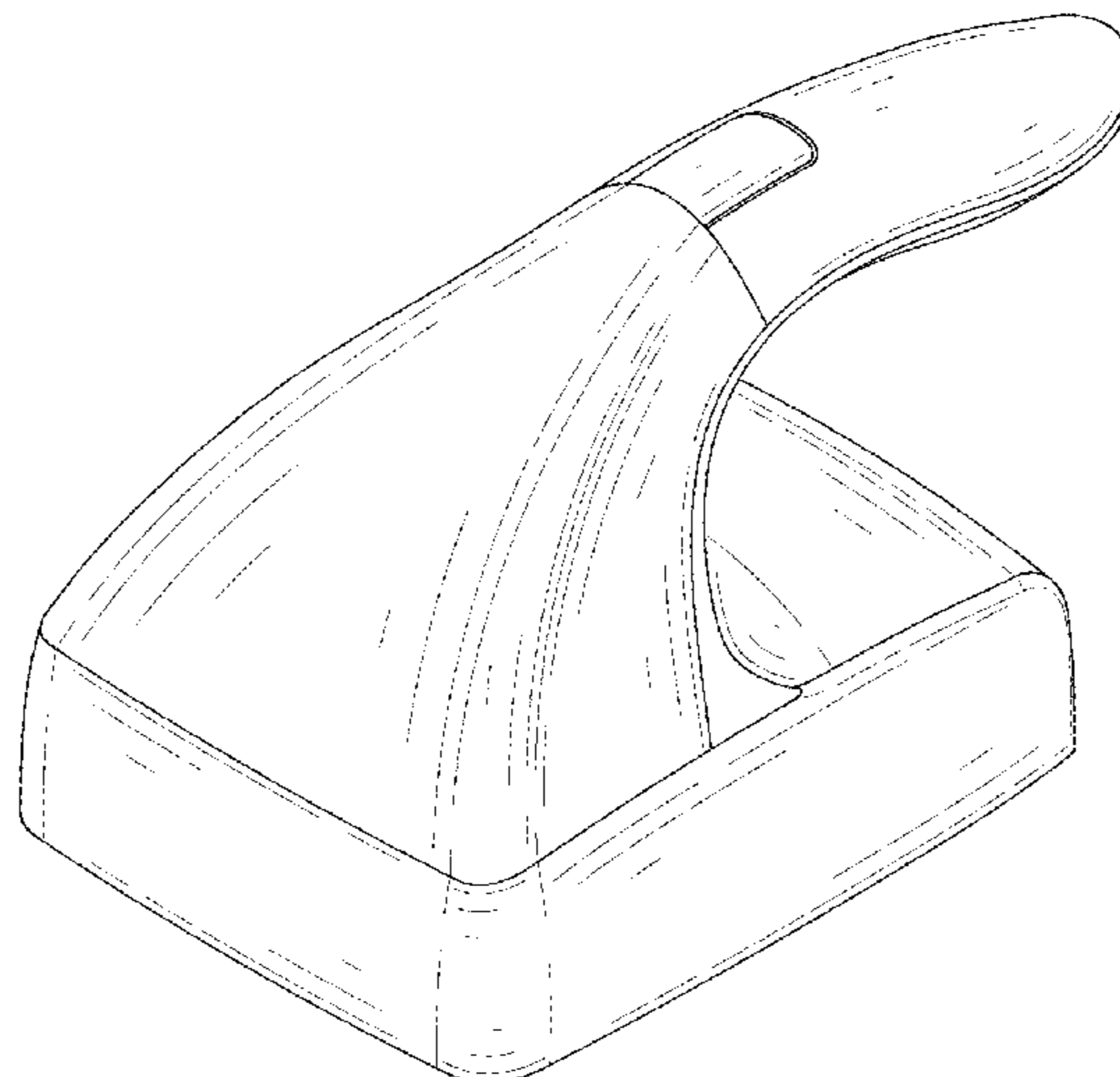
(57) **CLAIM**

The ornamental design for a hair remover, as shown and described.

DESCRIPTION

FIG. 1 is a first perspective view of a hair remover showing my new design;
FIG. 2 is a second perspective view thereof;
FIG. 3 is a front view thereof;
FIG. 4 is a back view thereof;
FIG. 5 is a left side view thereof;
FIG. 6 is a right side view thereof;
FIG. 7 is a top view thereof; and,
FIG. 8 is a bottom view thereof.
The broken lines shown in the drawings depict portions of the hair remover in which design is embodied that form no part of the claimed design.

1 Claim, 8 Drawing Sheets



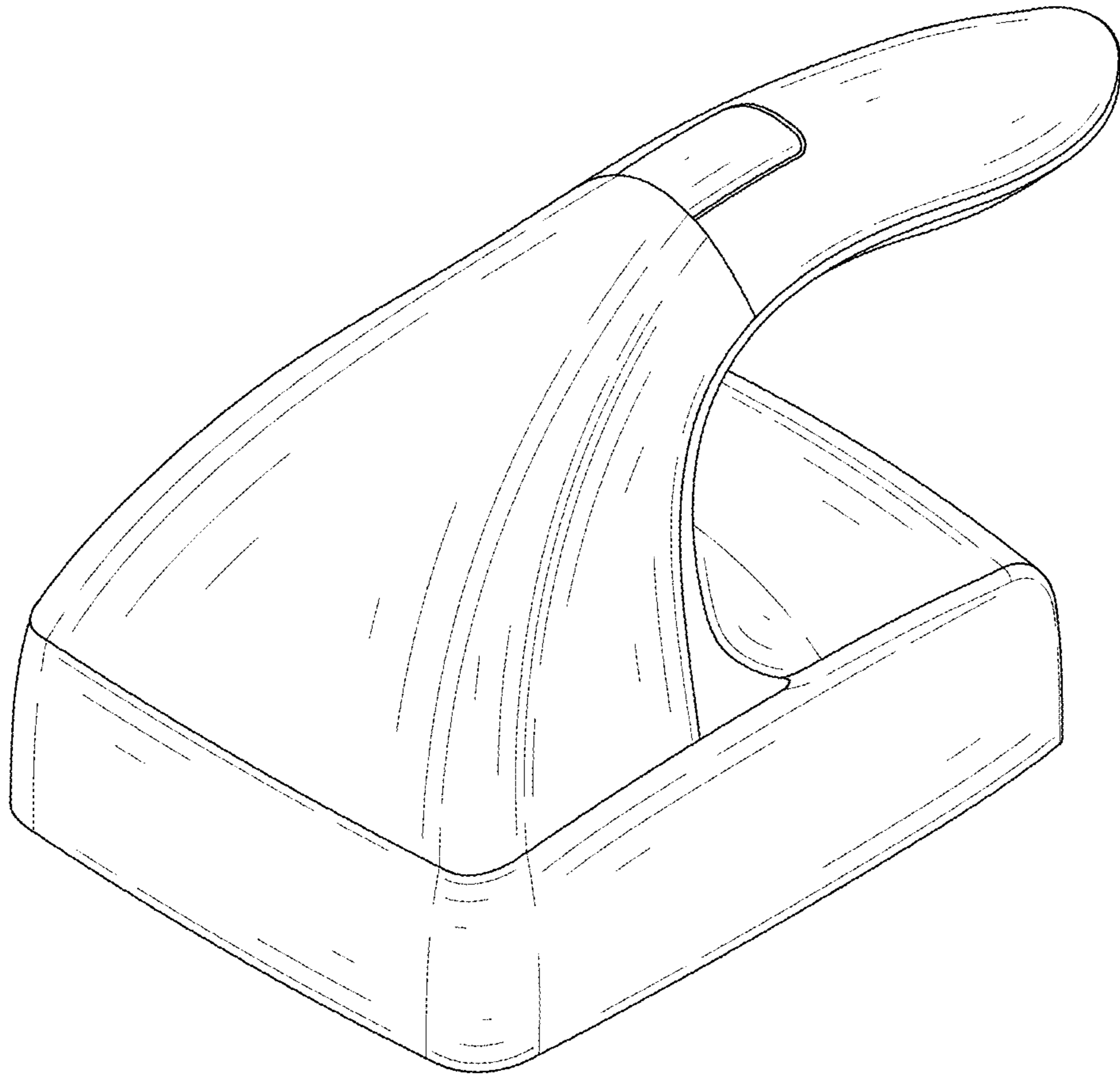


FIG. 1

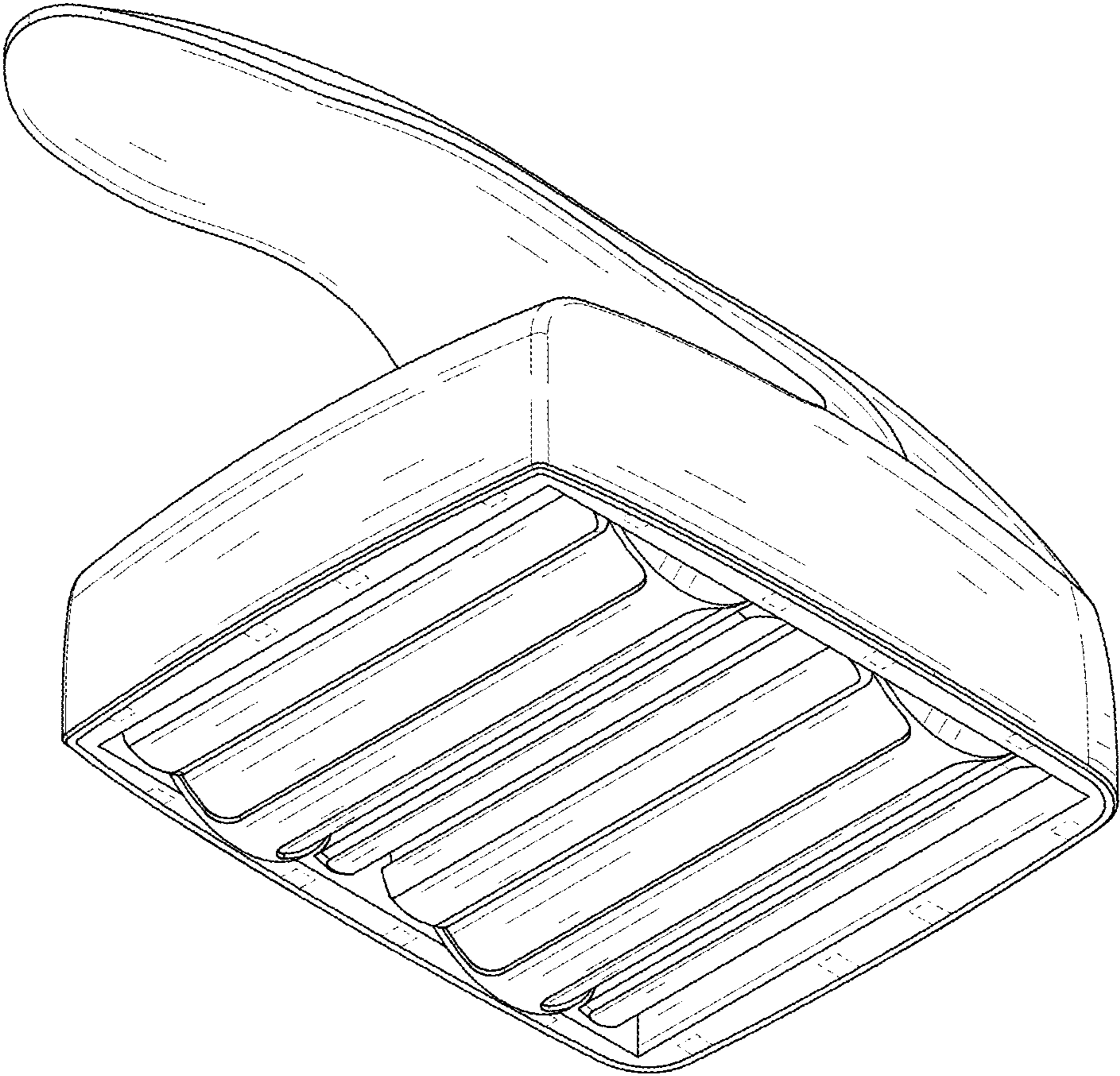


FIG. 2

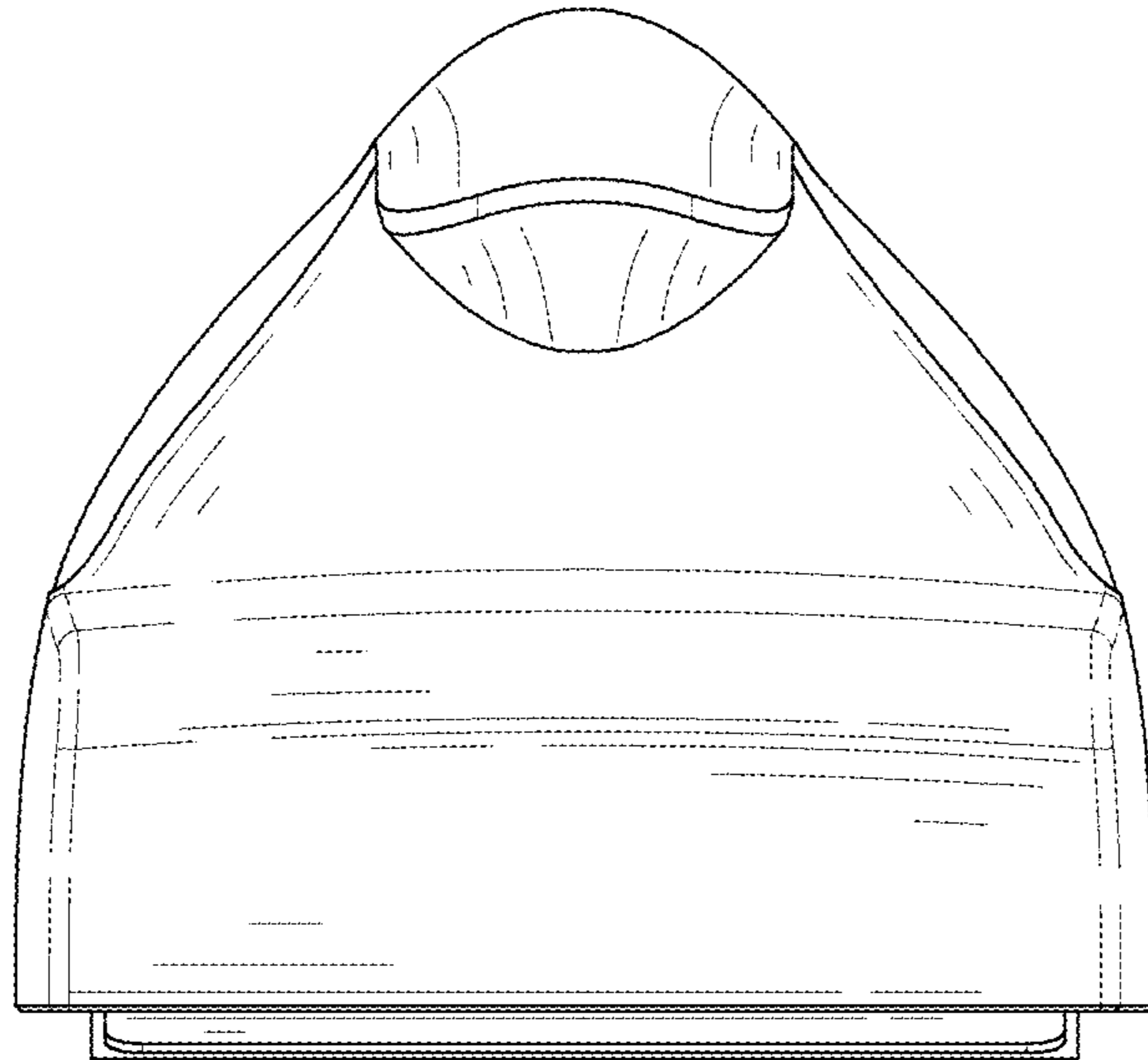


FIG. 3

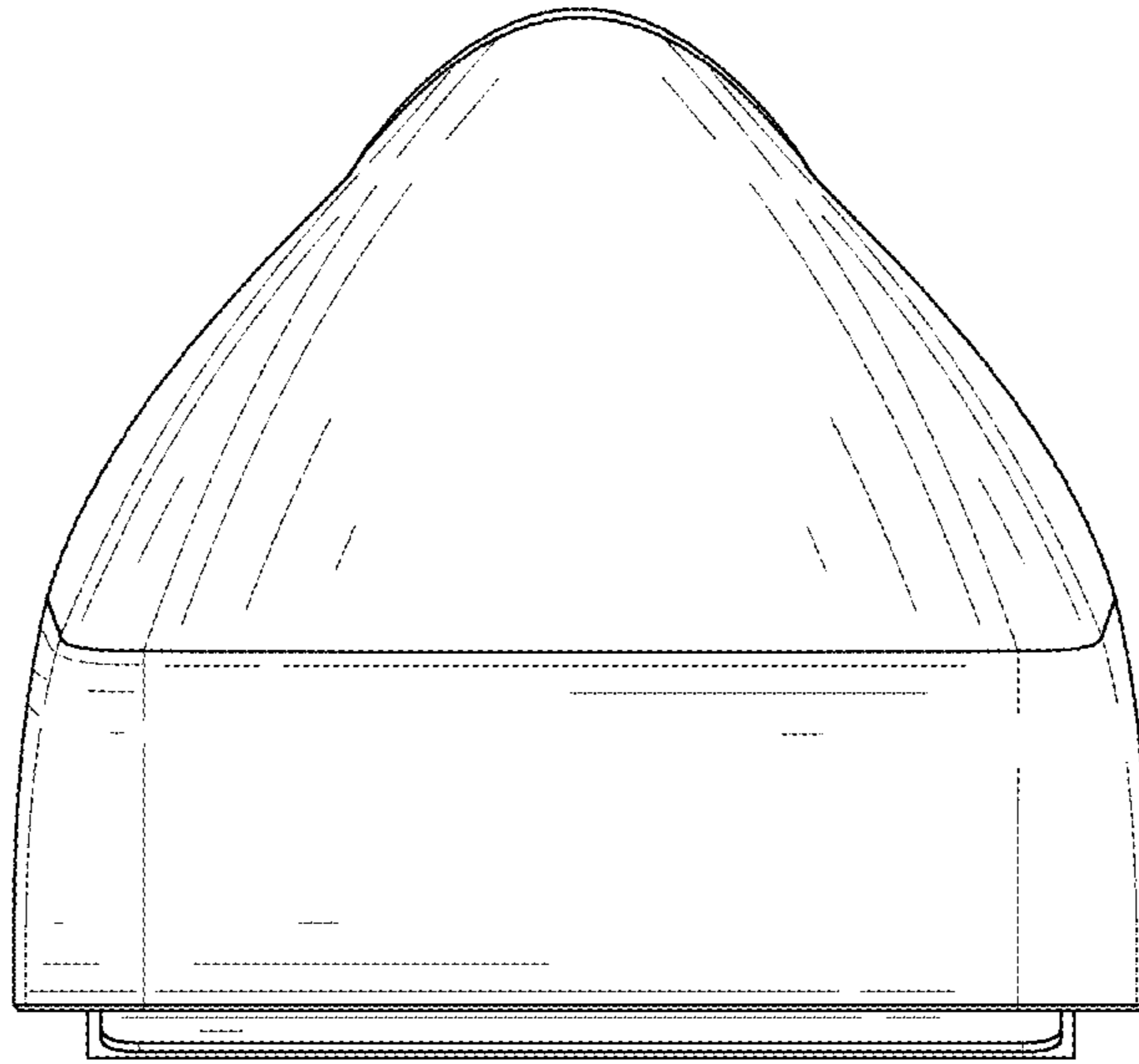


FIG. 4

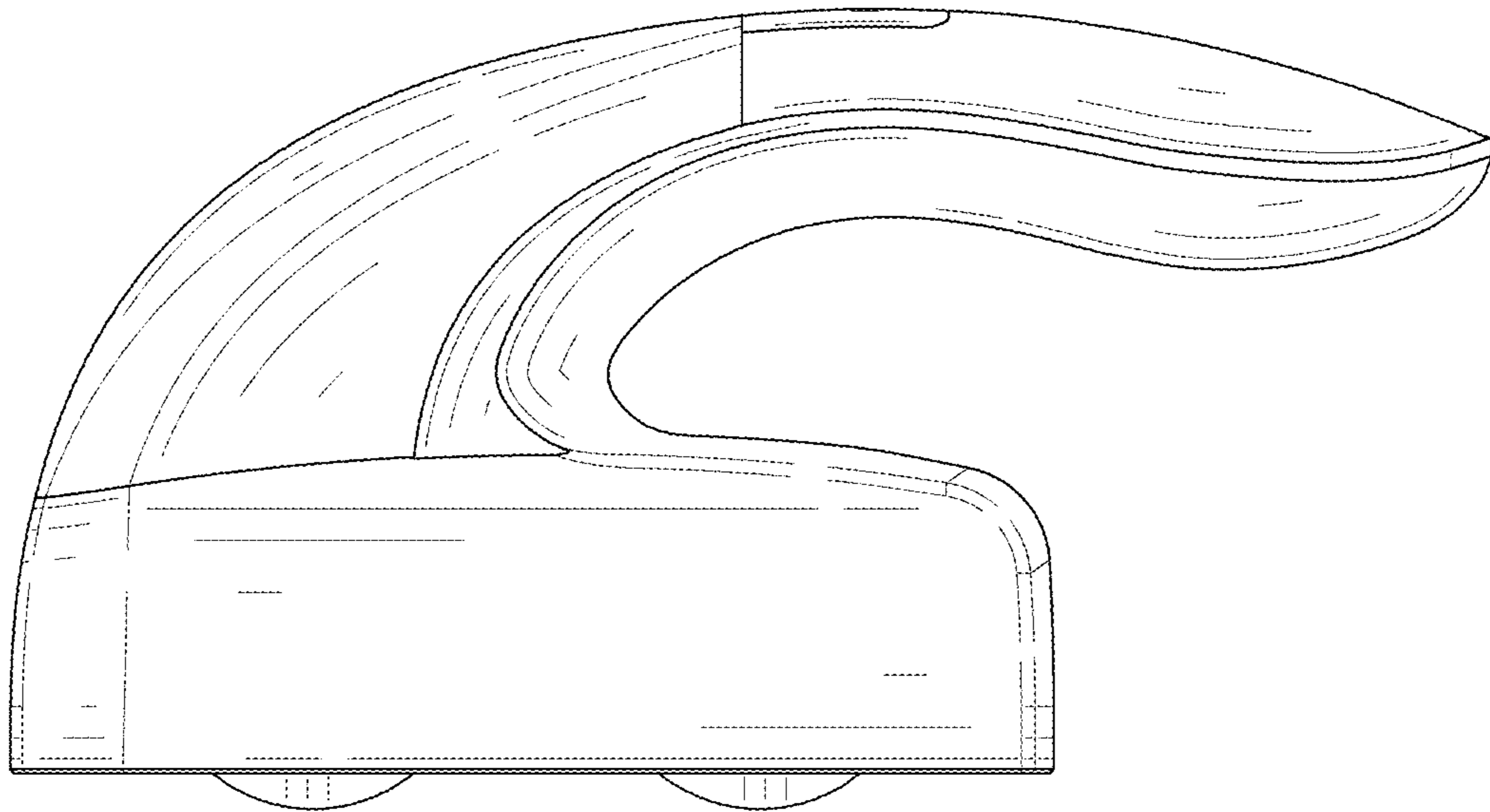


FIG. 5

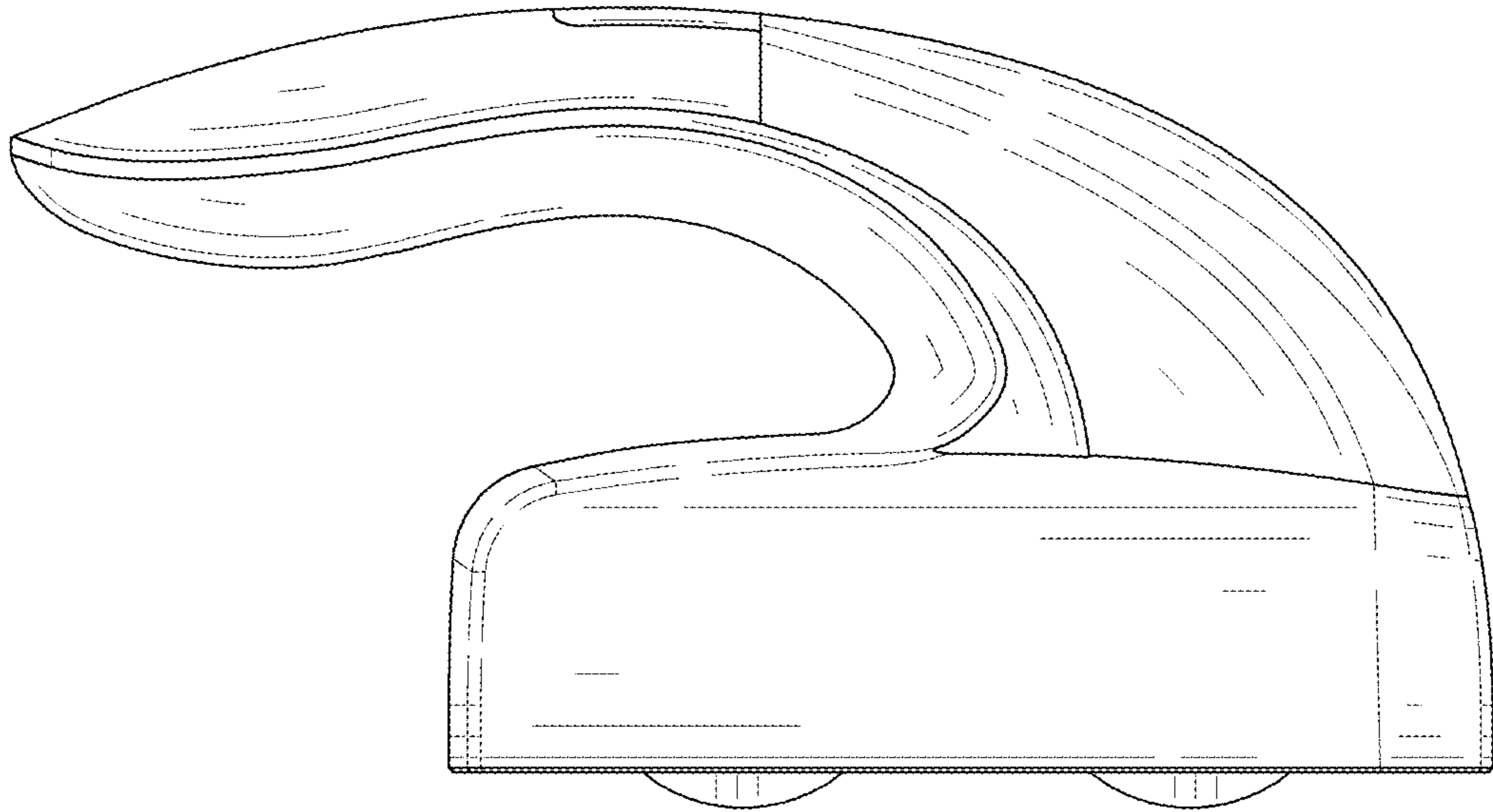


FIG. 6

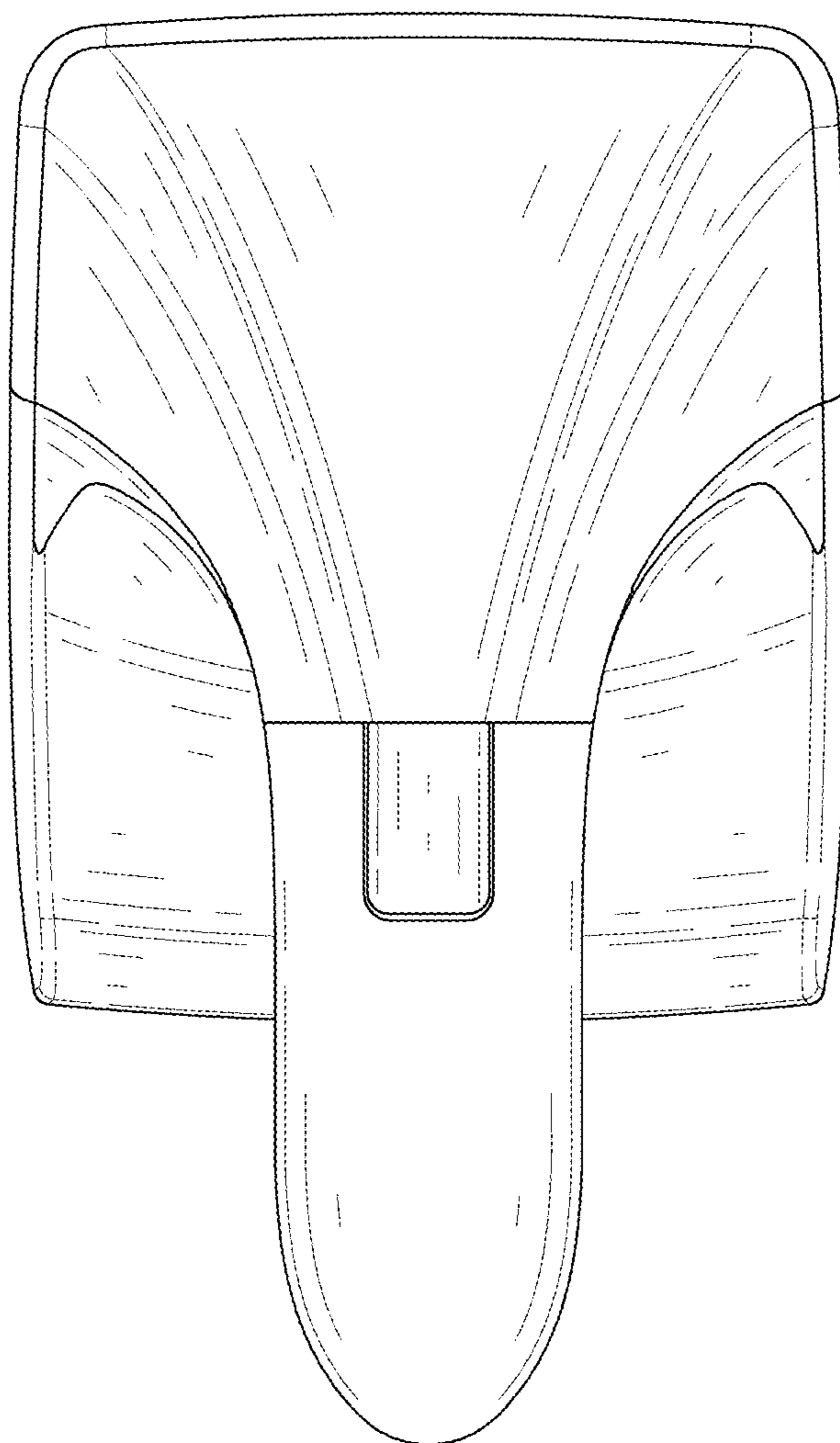


FIG. 7

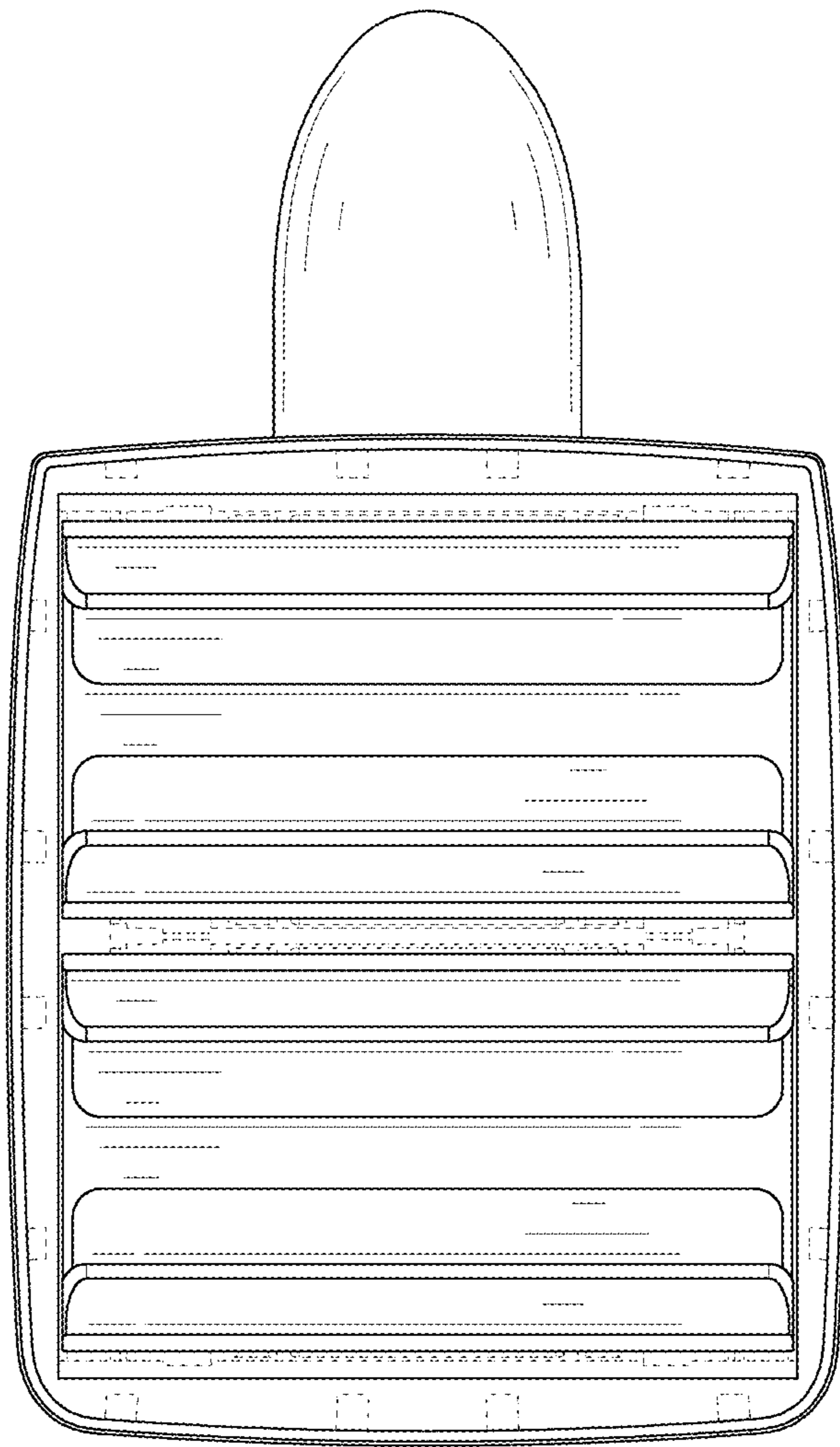


FIG. 8