



US00D965933S

(12) **United States Design Patent** (10) **Patent No.:** **US D965,933 S**
Silbereisen, Jr. (45) **Date of Patent:** **** Oct. 4, 2022**

(54) **RV CAMPER SLIDE-OUT CLEANING ATTACHMENT**

(71) Applicant: **Albert Jacob Silbereisen, Jr.**, Milford, DE (US)

(72) Inventor: **Albert Jacob Silbereisen, Jr.**, Milford, DE (US)

(**) Term: **15 Years**

(21) Appl. No.: **29/714,354**

(22) Filed: **Nov. 22, 2019**

(51) **LOC (13) Cl.** **07-05**

(52) **U.S. Cl.**
USPC **D32/35**
CPC **A46B 5/0054** (2013.01)

(58) **Field of Classification Search**
USPC D32/31-35, 50-52; 15/144.1-144.4, 145, 15/146, 159.1, 160, 172; D4/130, 132, D4/138
CPC A46B 5/0054; A46B 7/04; A46B 2200/302
See application file for complete search history.

(56) **References Cited**

U.S. PATENT DOCUMENTS

D247,303 S *	2/1978	Boyd	D32/14
4,447,927 A *	5/1984	Malless, Jr.	E04D 13/0765
				401/137
4,756,043 A *	7/1988	Hazelet	B08B 3/02
				401/289
D392,781 S *	3/1998	McKnight	401/137
5,791,006 A *	8/1998	Anctil	B25G 1/102
				16/427
6,119,311 A *	9/2000	Lavallee	B25G 1/06
				16/436
6,170,112 B1 *	1/2001	Mayfield	B25G 1/04
				D32/50
D443,961 S *	6/2001	McKnight	D32/35
D458,721 S *	6/2002	Clarke	D4/138
6,397,427 B1 *	6/2002	Bryngelsson	B25G 1/102
				15/228

(Continued)

OTHER PUBLICATIONS

DecKorators ADA Secondary Handrail System (Year: 2017).*

Primary Examiner — Richard E Chilcot

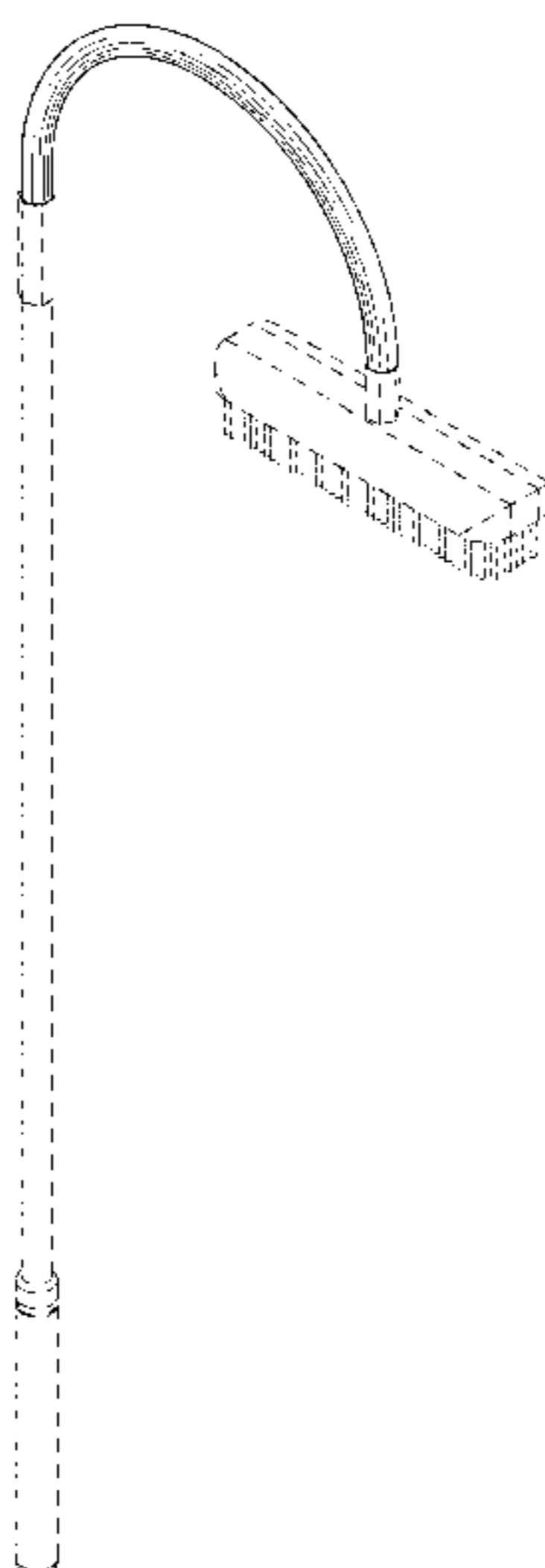
(57) **CLAIM**

The ornamental design for an RV camper slide-out cleaning attachment, as shown and described.

DESCRIPTION

FIG. 1 is a top-front-left perspective view of an RV camper slide-out cleaning attachment showing my new design; FIG. 2 is a bottom-rear-right perspective view thereof; FIG. 3 is a front elevational view thereof; FIG. 4 is a rear elevational view thereof; FIG. 5 is a left-side elevational view thereof; FIG. 6 is a right-side elevational view thereof; FIG. 7 is a top plan view thereof; FIG. 8 is a bottom plan view thereof; FIG. 9 is a section view taken along line 9-9 in FIG. 6; FIG. 10 is a detail view of area 10 in FIG. 9; FIG. 11 is a detail view of area 11 in FIG. 4; FIG. 12 is a front elevational view of a second embodiment of an RV camper slide-out cleaning attachment shown broken away for indeterminate length, that being the only difference from the embodiment shown in FIGS. 1 through 11; and, FIG. 13 is a top-front-left perspective view of the present invention, wherein the present invention is depicted in an operable configuration. The dashed line showing a broom head and handle in FIG. 13 is included for the purpose of illustrating environmental structure and forms no part of the claimed design. Further, the slide-out cleaning attachment is shown with a symbolic break in its length. The appearance of any portion of the article between the break lines forms no part of the claimed design.

1 Claim, 13 Drawing Sheets



(56)

References Cited

U.S. PATENT DOCUMENTS

6,519,809 B2 * 2/2003 Gutry A47L 9/02
15/327.5
6,709,529 B1 * 3/2004 Mekwinski E04D 15/006
15/160
D496,512 S * 9/2004 Treacy D4/138
D501,971 S * 2/2005 Treacy D4/137
D507,408 S * 7/2005 Figura D4/138
D536,178 S * 2/2007 Greenberg D4/138
D547,017 S * 7/2007 Van Ledingham, Jr. D32/51
7,490,383 B1 * 2/2009 Dean A46B 5/0095
15/159.1
7,617,572 B2 * 11/2009 Hovsepian B25G 1/102
16/436
7,730,570 B1 * 6/2010 Billups A47K 7/043
15/176.1
D622,016 S * 8/2010 Hofmann-Kay D32/32
8,375,499 B1 * 2/2013 Marino B25G 1/102
D32/50
8,973,201 B1 * 3/2015 De Vito A46B 5/0054
D4/130

9,180,589 B2 * 11/2015 Gerosa B25G 1/102
9,347,223 B1 * 5/2016 Ashton-Miller B08B 5/02
D759,978 S * 6/2016 Castro D4/138
9,428,914 B2 * 8/2016 Partis, Jr. B05B 13/0627
D773,136 S * 11/2016 Fuller D32/31
D816,931 S * 5/2018 Ashton-Miller D32/46
D830,655 S * 10/2018 Kim D32/31
D848,378 S * 5/2019 Gross D13/155
D877,436 S * 3/2020 Ashton-Miller D32/45
10,905,907 B1 * 2/2021 Dold B25G 1/102
11,248,386 B2 * 2/2022 Lopez E04H 4/1618
D945,102 S * 3/2022 Ziamandanis D32/51
2003/0213086 A1 * 11/2003 Heavner E04D 13/0765
294/24
2004/0143931 A1 * 7/2004 Dennis A47L 5/14
15/405
2004/0250367 A1 * 12/2004 Fraser A47L 1/06
15/245
2008/0022487 A1 * 1/2008 Young A47L 7/0009
15/414
2008/0163451 A1 * 7/2008 Buller A47L 9/0036
15/246.2

* cited by examiner

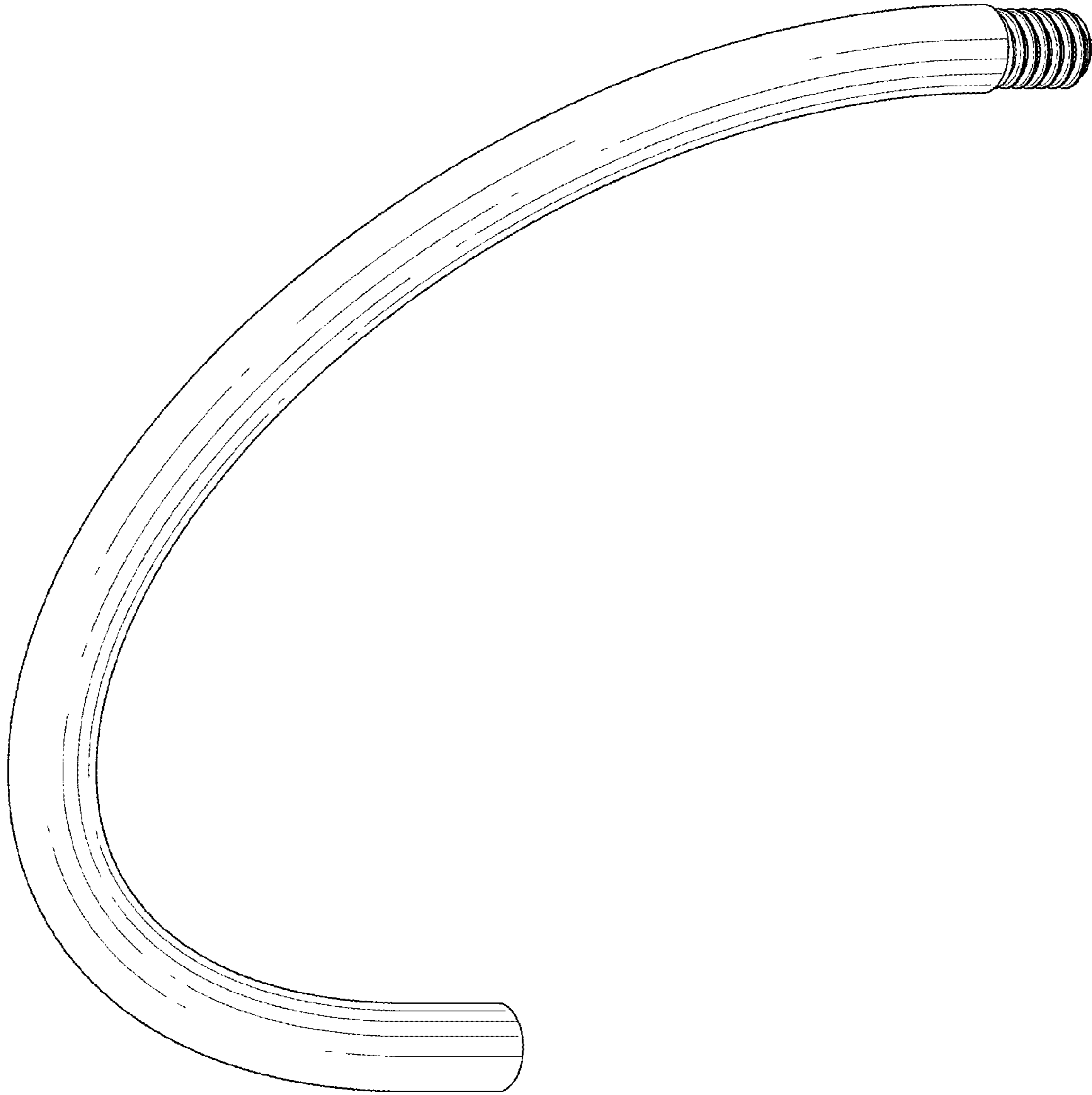


FIG. 1

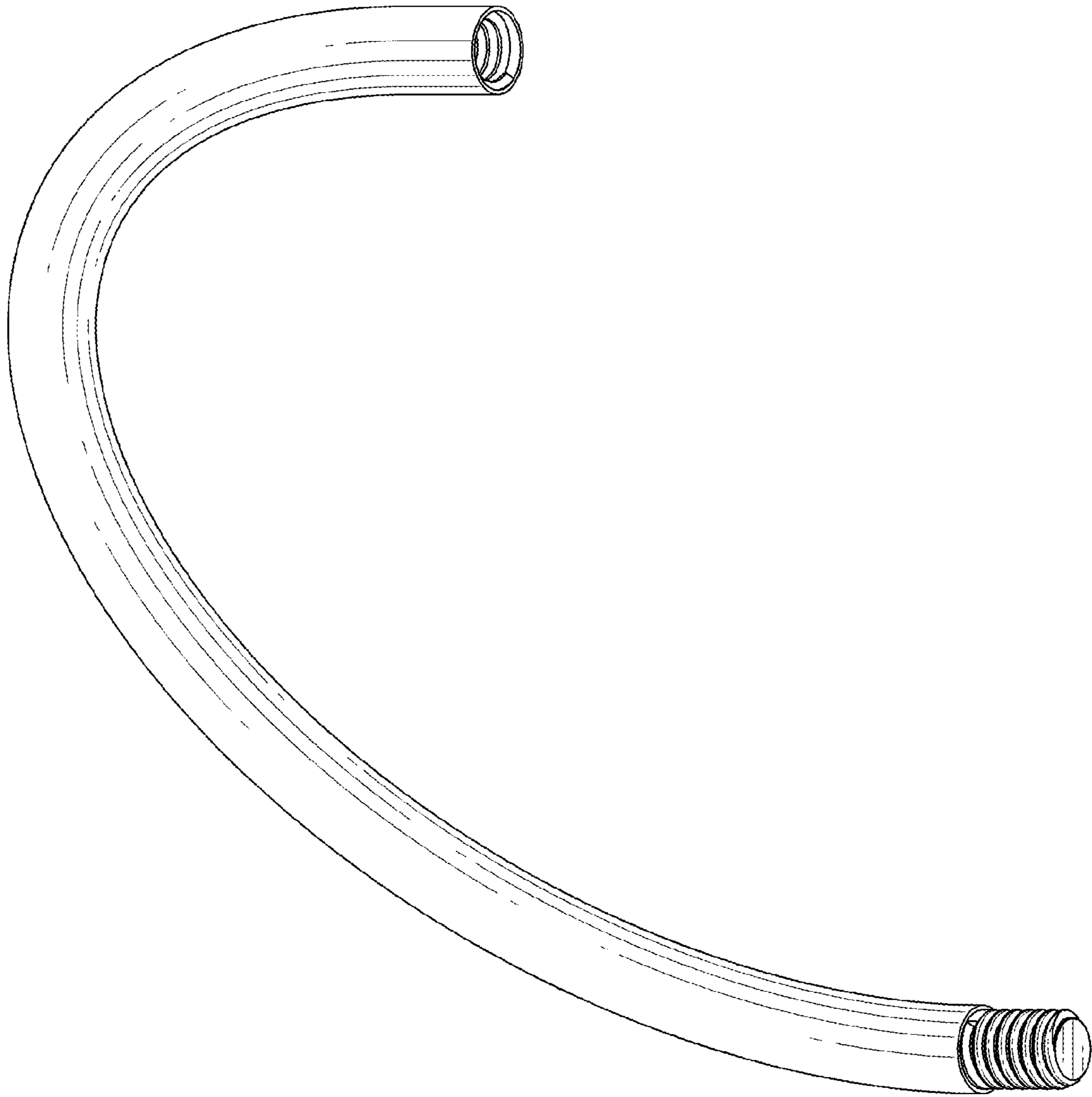


FIG. 2

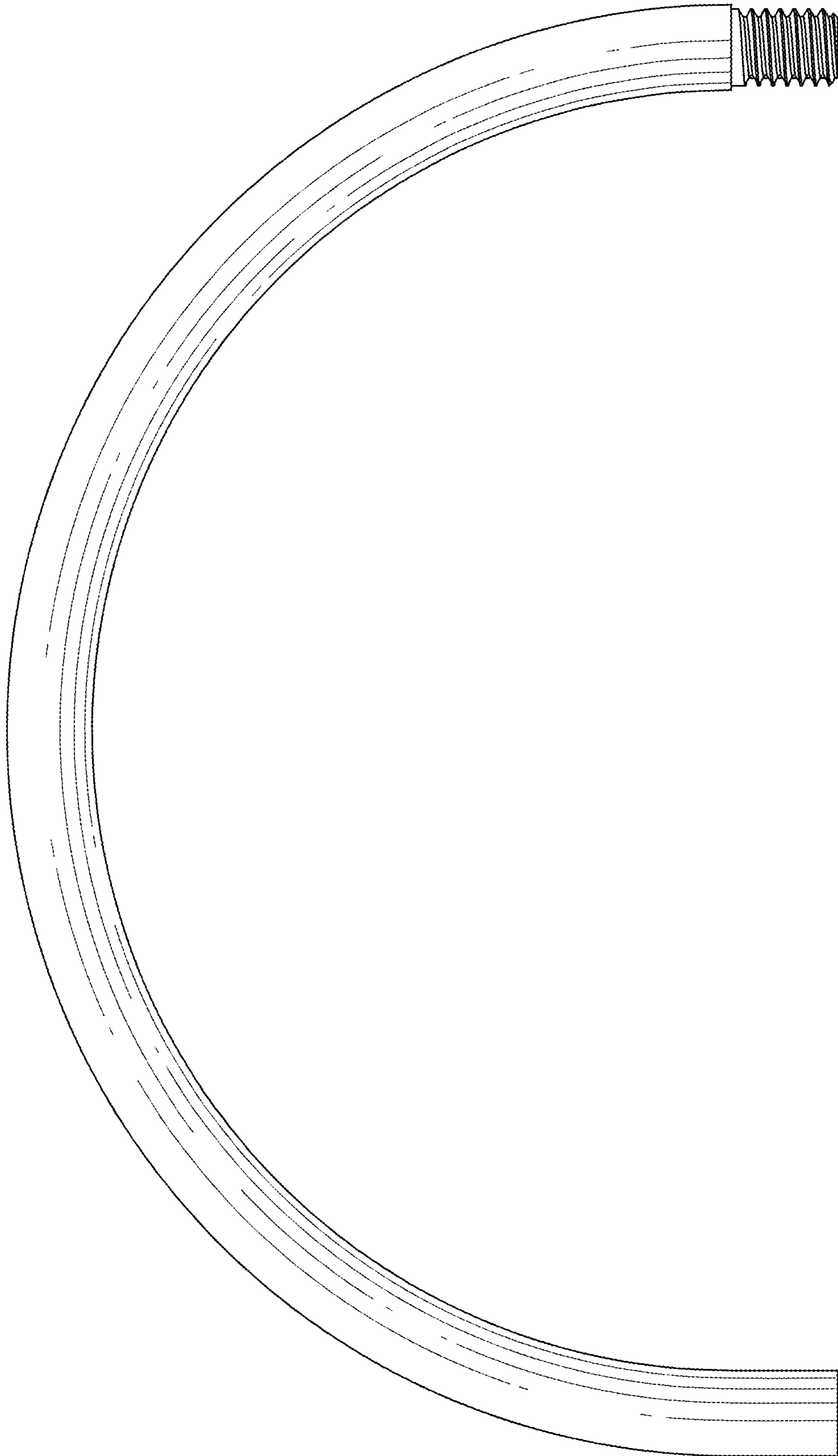


FIG. 3

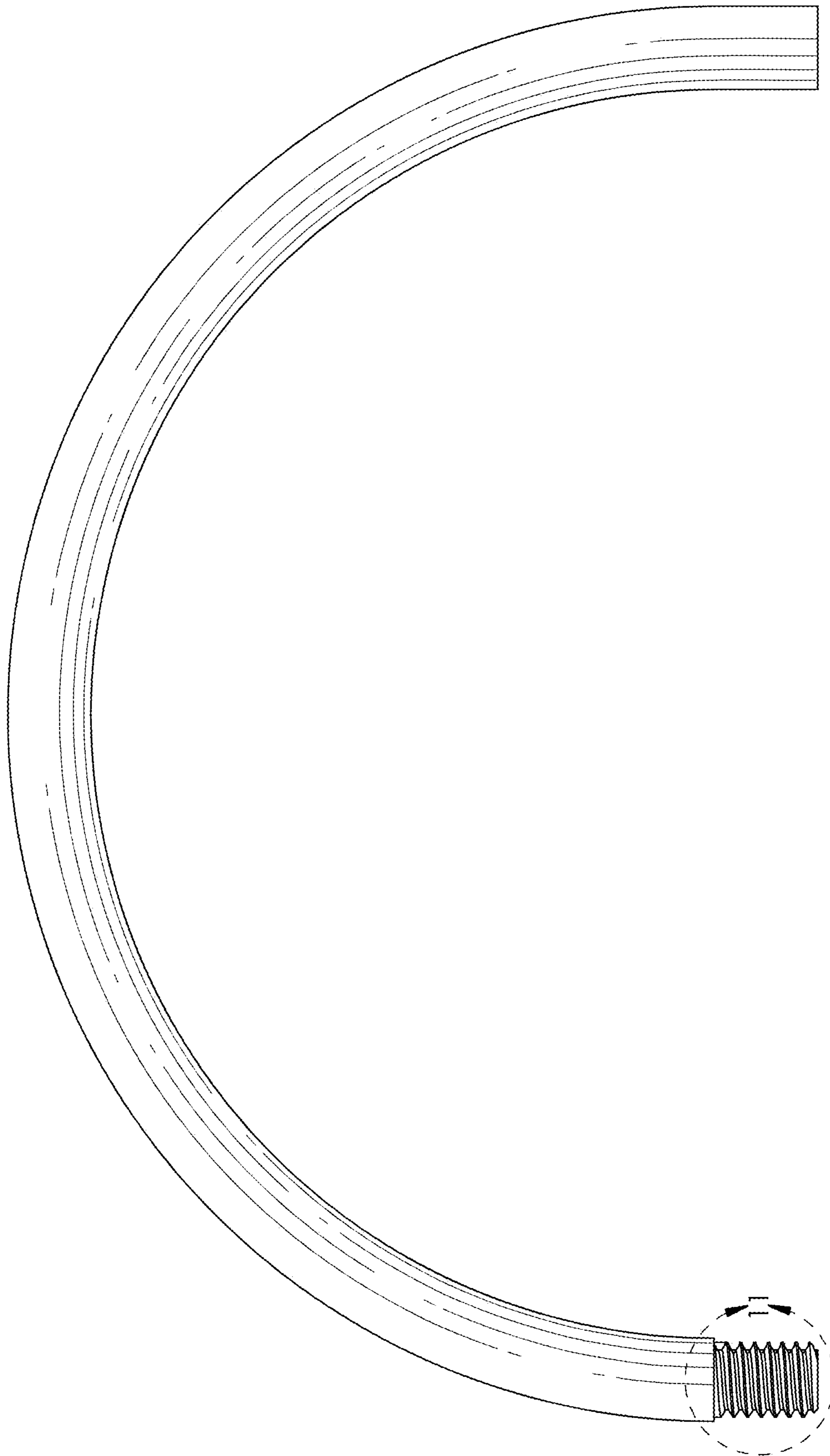


FIG. 4



FIG. 5

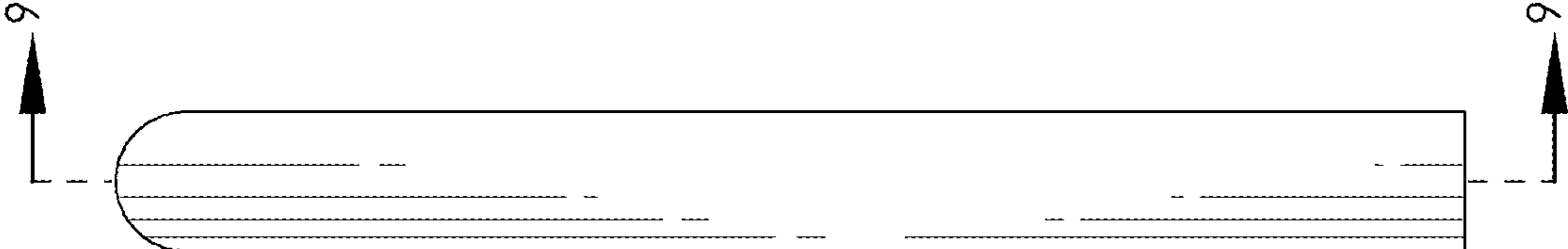


FIG. 6

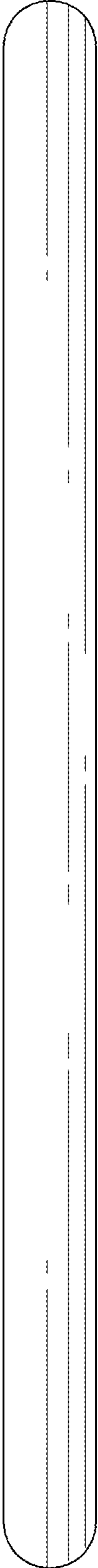


FIG. 7

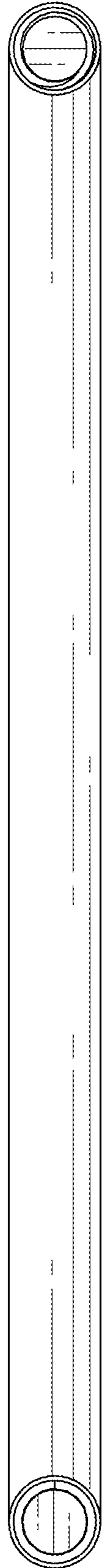


FIG. 8

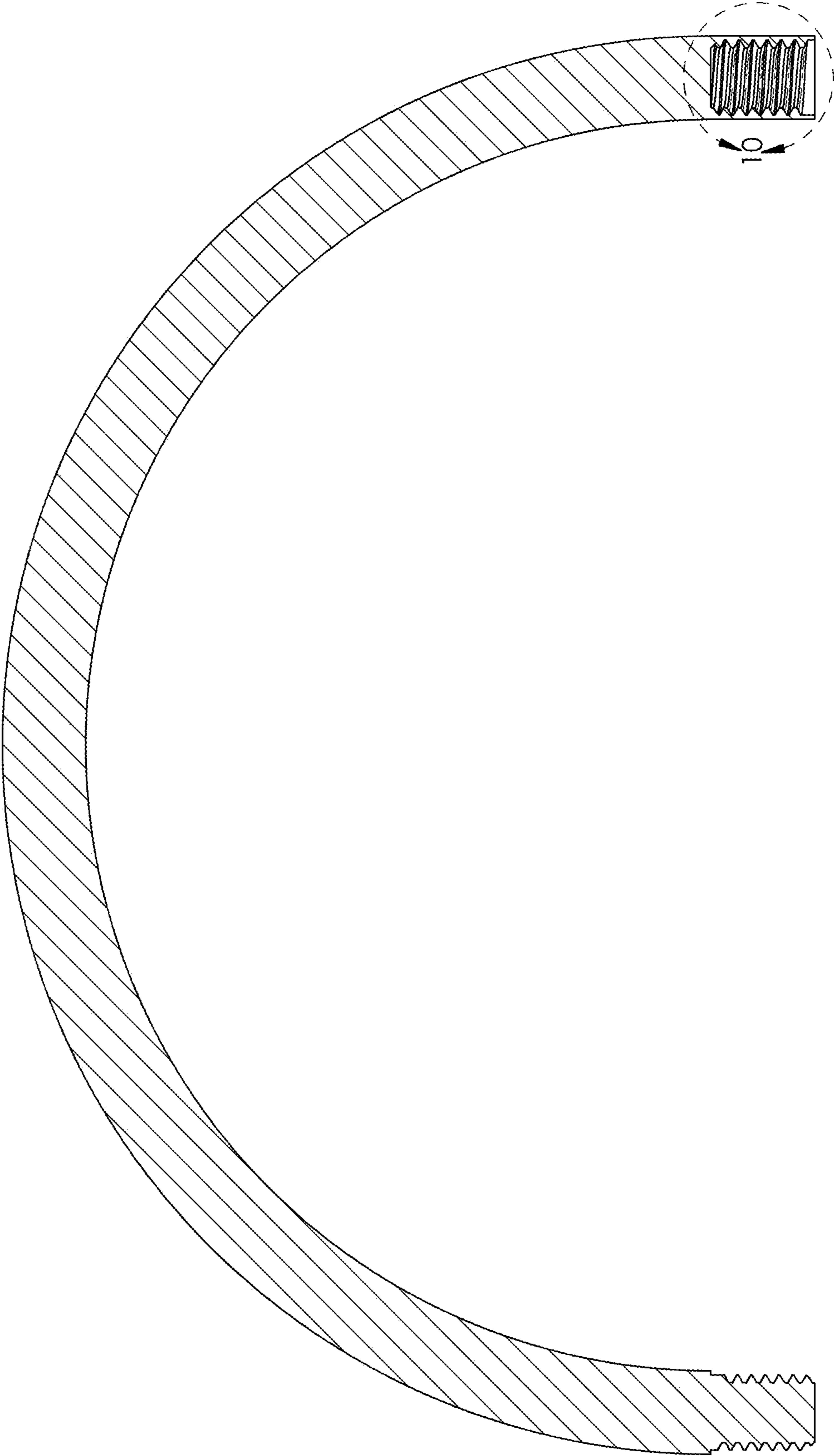


FIG. 9

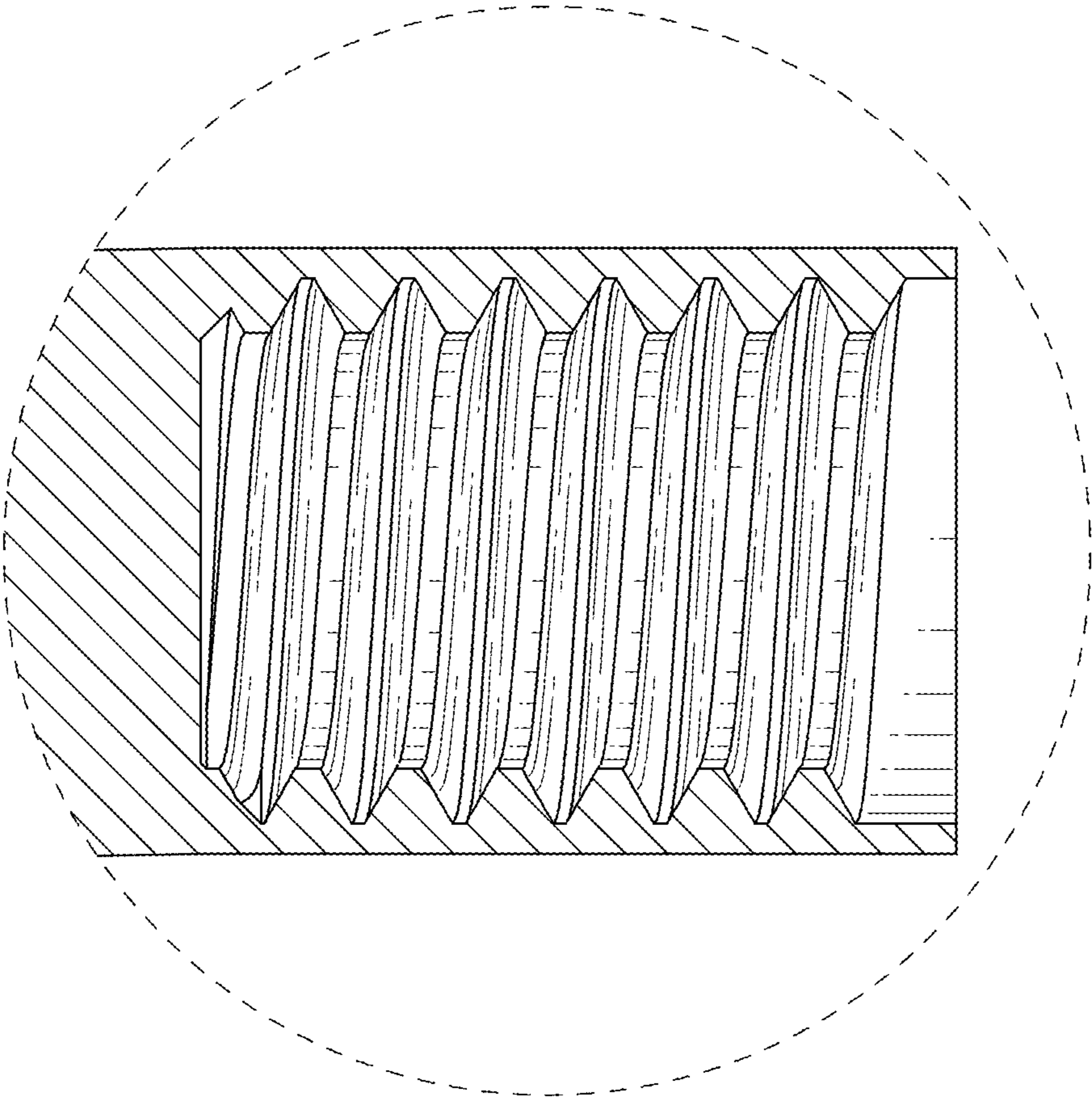


FIG. 10

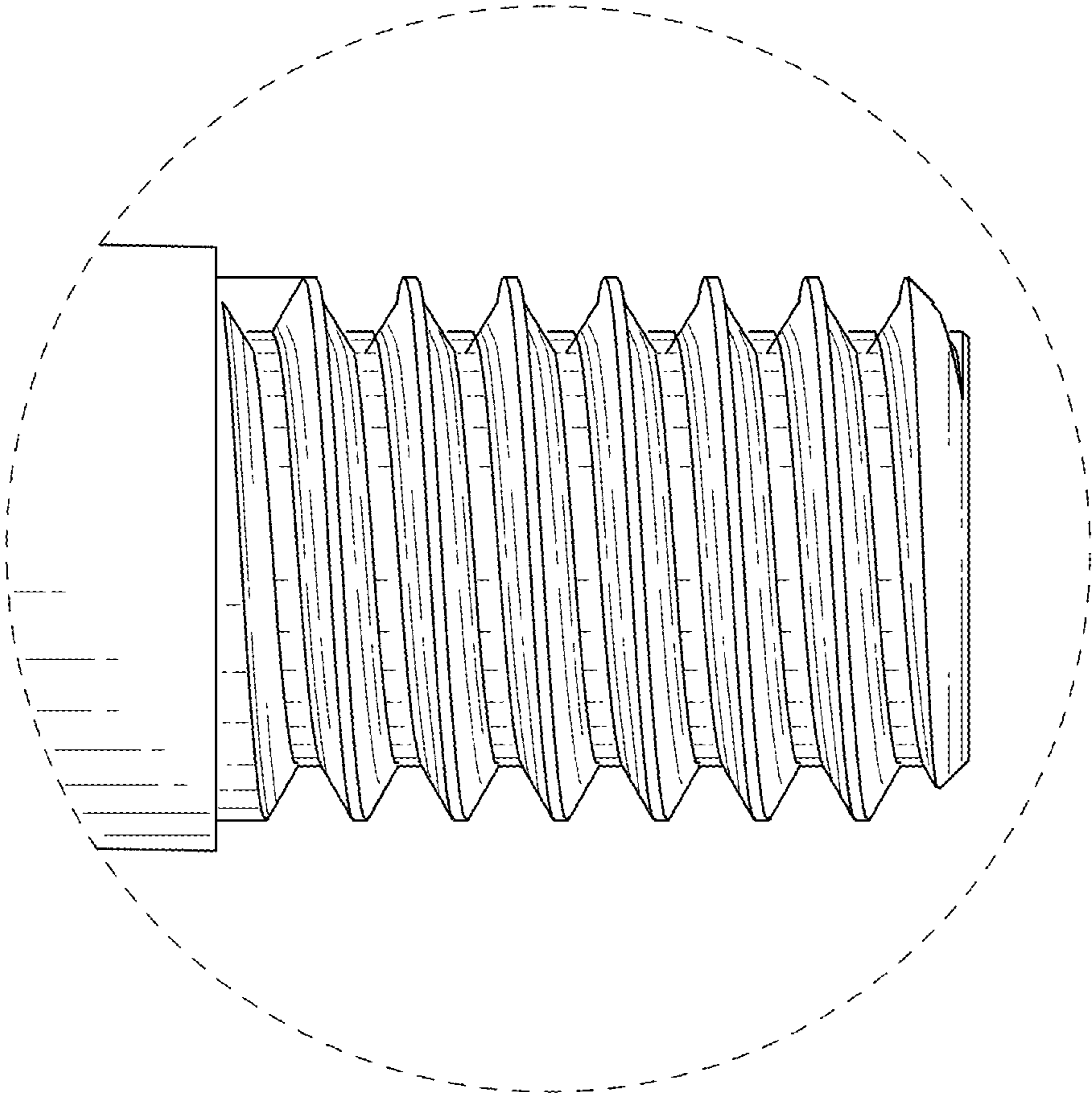


FIG. 11

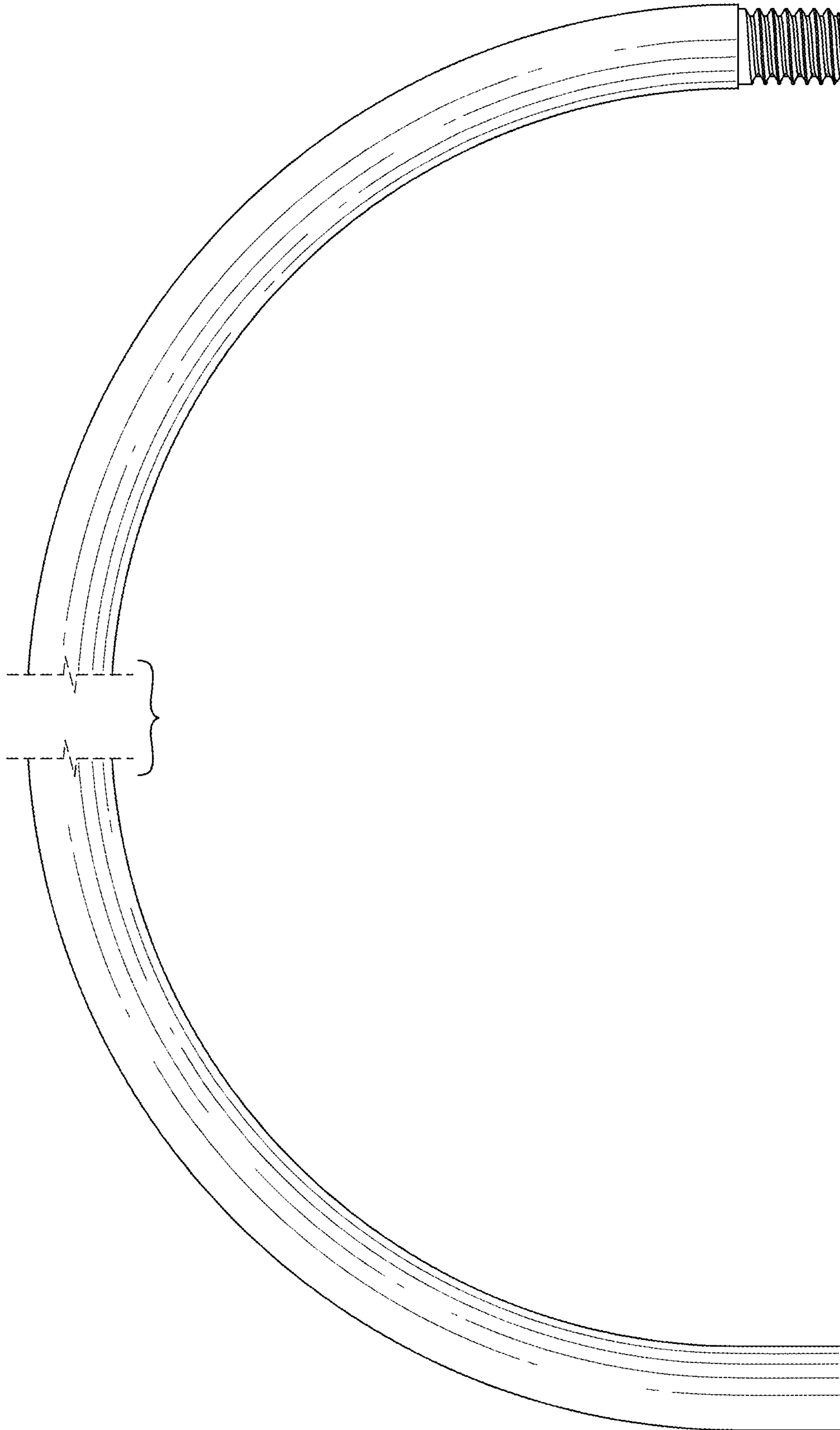


FIG. 12

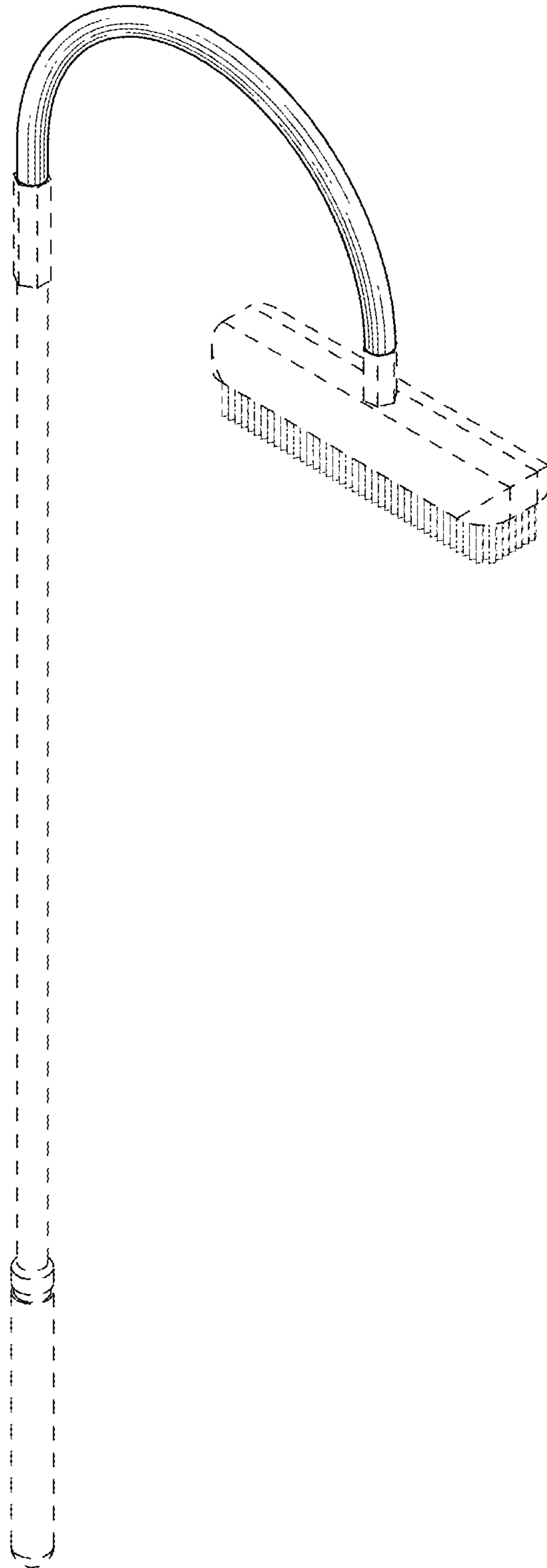


FIG. 13