



US00D965932S

(12) **United States Design Patent**  
**Li et al.**

(10) **Patent No.:** **US D965,932 S**  
(45) **Date of Patent:** **\*\* Oct. 4, 2022**

(54) **SWEEPING MACHINE**

(71) Applicant: **Shenzhen Hua Xin Information Technology Co., Ltd.**, Guangdong (CN)

(72) Inventors: **Junying Li**, Guangdong (CN); **Meihua Huang**, Guangdong (CN)

(73) Assignee: **Shenzhen Hua Xin Information Technology Co., Ltd.**, Shenzhen (CN)

(\*\*) Term: **15 Years**

(21) Appl. No.: **29/772,550**

(22) Filed: **Mar. 2, 2021**

(51) **LOC (13) Cl.** ..... **15-05**

(52) **U.S. Cl.**  
USPC ..... **D32/21**

(58) **Field of Classification Search**  
USPC ..... D32/1, 21, 17, 31; D15/199; D8/70;  
D16/230

(Continued)

(56) **References Cited**

**U.S. PATENT DOCUMENTS**

D258,593 S 3/1981 Rubin  
D342,812 S 12/1993 Reath  
(Continued)

**FOREIGN PATENT DOCUMENTS**

CN 301337632 S 9/2010  
CN 302243019 S 12/2012  
(Continued)

**OTHER PUBLICATIONS**

UONI—Jan. 13, 2022 <https://uoni.com/products/v980-plus-with-self-emptying-dustbin> (Year: 2022).\*

*Primary Examiner* — Michelle E. Wilson  
*Assistant Examiner* — Richard E Yenchesky

(74) *Attorney, Agent, or Firm* — Dragon Sun Law Firm, P.C.; Jinggao Li, Esq.; Nathaniel Perkins

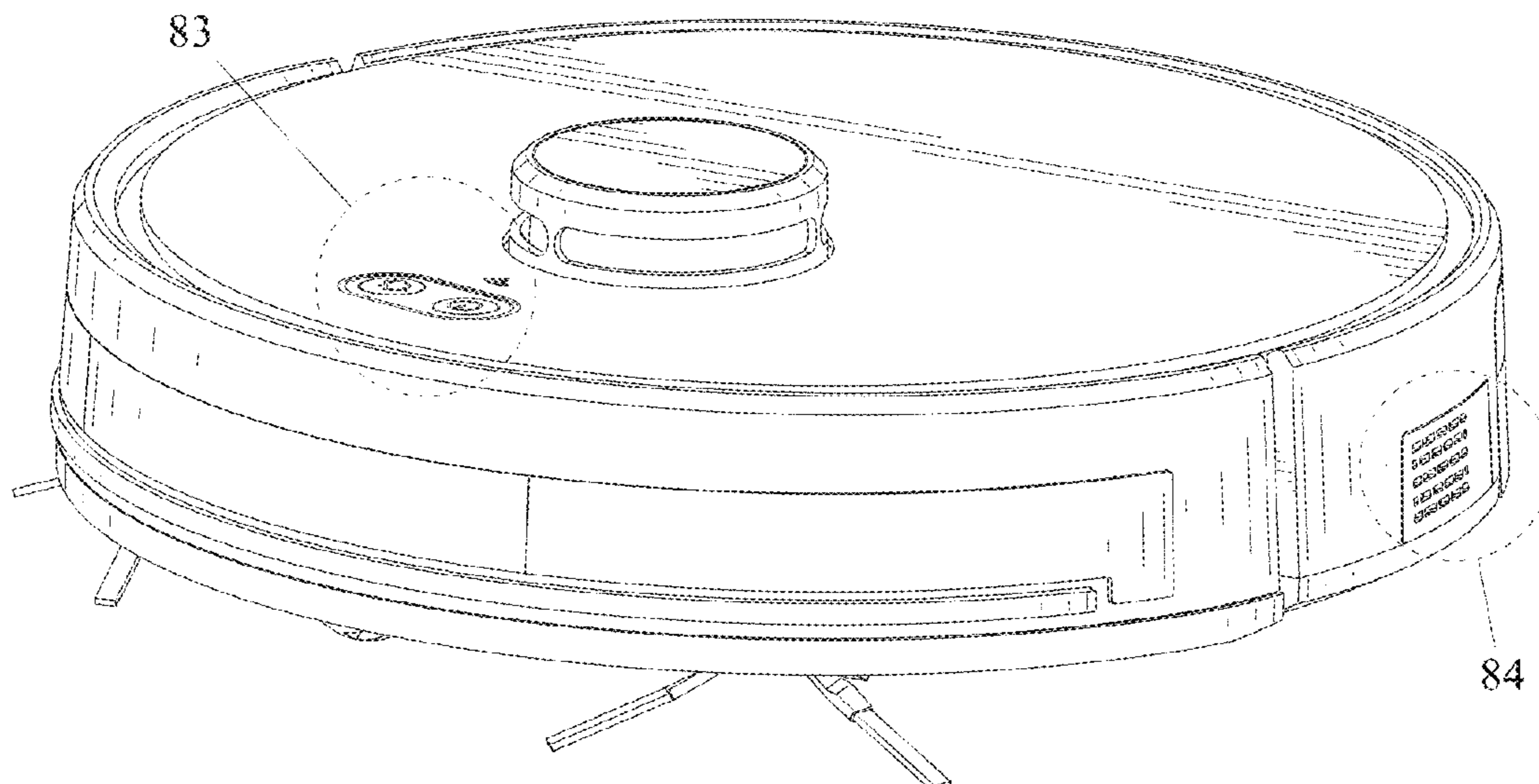
(57) **CLAIM**

The ornamental design for a sweeping machine, as shown and described.

**DESCRIPTION**

FIG. 1 is a top perspective view of a sweeping machine showing our new design;  
FIG. 2 is a bottom perspective view thereof;  
FIG. 3 is a front view of FIG. 1;  
FIG. 4 is a rear view of FIG. 1;  
FIG. 5 is a left side view of FIG. 1;  
FIG. 6 is a right side view of FIG. 1;  
FIG. 7 is a top view of FIG. 1;  
FIG. 8 is a bottom view of FIG. 1;  
FIG. 9 is an enlarged view of a portion of FIG. 1;  
FIG. 10 is an enlarged view of another portion of FIG. 1;  
FIG. 11 is an enlarged view of a portion of FIG. 2;  
FIG. 12 is a top perspective view of a second embodiment of a sweeping machine showing our new design;  
FIG. 13 is a bottom perspective view of the second embodiment;  
FIG. 14 is a front view of FIG. 12;  
FIG. 15 is a rear view of FIG. 12;  
FIG. 16 is a left side view of FIG. 12;  
FIG. 17 is a right side view of FIG. 12;  
FIG. 18 is a top view of FIG. 12;  
FIG. 19 is a bottom view of FIG. 12;  
FIG. 20 is an enlarged view of a portion of FIG. 12;  
FIG. 21 is an enlarged view of another portion of FIG. 12;  
and,  
FIG. 22 is an enlarged view of a portion of FIG. 13.  
The broken lines in the figures depict portions of the sweeping machine and form no part of the claimed design.

**1 Claim, 22 Drawing Sheets**



(58) **Field of Classification Search**

CPC ..... A47L 9/09; A47L 2201/00; A47L 13/10;  
A47L 11/32; A47L 11/24; A47L 11/00;  
A47L 11/02

See application file for complete search history.

(56) **References Cited**

U.S. PATENT DOCUMENTS

D371,875 S 7/1996 Parker et al.  
D391,708 S 3/1998 Canavan et al.  
D501,283 S 1/2005 Carr et al.  
D575,018 S 8/2008 Knopow  
D625,059 S \* 10/2010 Morenstein ..... D32/21  
D625,477 S \* 10/2010 Morenstein ..... D32/21  
D626,301 S 10/2010 Raven  
D709,255 S \* 7/2014 Wang ..... D32/21  
D720,511 S \* 12/2014 Shin ..... D32/21  
D734,907 S \* 7/2015 Dooley ..... D32/31  
D743,647 S \* 11/2015 Heck ..... D32/21  
D822,923 S \* 7/2018 Casini ..... D32/21  
D862,010 S \* 10/2019 Smith ..... D32/21  
D865,021 S \* 10/2019 Hu ..... D15/199  
D869,796 S \* 12/2019 Afshar Bakooshli ..... D32/21  
D869,797 S \* 12/2019 Chei ..... D32/21  
D870,402 S \* 12/2019 Yun ..... D32/21  
D870,403 S \* 12/2019 Ebrahimi Afrouzi ..... D32/21  
D870,994 S \* 12/2019 Zhou ..... D32/21  
D871,693 S \* 12/2019 Ebrahimi Afrouzi ..... D32/21  
D871,694 S \* 12/2019 Casini ..... D32/21  
D872,395 S \* 1/2020 Fathi Djalali ..... D32/21  
D872,953 S \* 1/2020 Ebrahimi Afrouzi ..... D32/21  
D875,166 S \* 2/2020 Beghelli ..... D16/230  
D879,852 S \* 3/2020 Chen ..... D15/199  
D884,298 S \* 5/2020 Li ..... D32/21  
D884,998 S \* 5/2020 Afshar Bakooshli ..... D32/21  
D890,457 S \* 7/2020 Pearce ..... D32/21  
D893,819 S \* 8/2020 Li ..... D32/21

D897,386 S \* 9/2020 He ..... D15/199  
D899,212 S \* 10/2020 Lundbaeck ..... D8/70  
D899,475 S \* 10/2020 Xiao ..... D15/199  
D901,110 S \* 11/2020 Li ..... D32/21  
D902,507 S \* 11/2020 Ebrahimi Afrouzi ..... D32/21  
D902,508 S \* 11/2020 Ebrahimi Afrouzi ..... D32/21  
D902,509 S \* 11/2020 Ebrahimi Afrouzi ..... D32/21  
D903,961 S \* 12/2020 Li ..... D32/21  
D906,606 S \* 12/2020 Zeng ..... D32/17  
D906,607 S \* 12/2020 Chen ..... D32/21  
D906,608 S \* 12/2020 Li ..... D32/21  
D914,075 S \* 3/2021 Sokuza ..... D15/199  
D915,015 S \* 3/2021 Tan ..... D32/31  
D917,117 S \* 4/2021 Cao ..... D32/21  
D917,590 S \* 4/2021 Li ..... D15/199  
D917,808 S \* 4/2021 Kim ..... D32/21  
D917,809 S \* 4/2021 Kim ..... D32/21  
D919,211 S \* 5/2021 Chang ..... D32/21  
D919,910 S \* 5/2021 Li ..... D32/21  
D922,011 S \* 6/2021 Ren ..... D32/21  
D929,479 S \* 8/2021 Gao ..... D15/199  
D929,690 S \* 8/2021 Cheng ..... A47L 9/009  
D930,299 S \* 9/2021 Lee ..... D32/21  
D932,718 S \* 10/2021 Yan ..... D32/21  
D933,319 S \* 10/2021 Lyu ..... D32/21

FOREIGN PATENT DOCUMENTS

CN 303033071 S 12/2014  
CN 303239751 S 6/2015  
CN 303339263 S 8/2015  
CN 303387627 S 9/2015  
CN 303640874 S 4/2016  
CN 305022930 \* 2/2019  
CN 306204251 S 12/2020  
CN 306231071 S 12/2020

\* cited by examiner

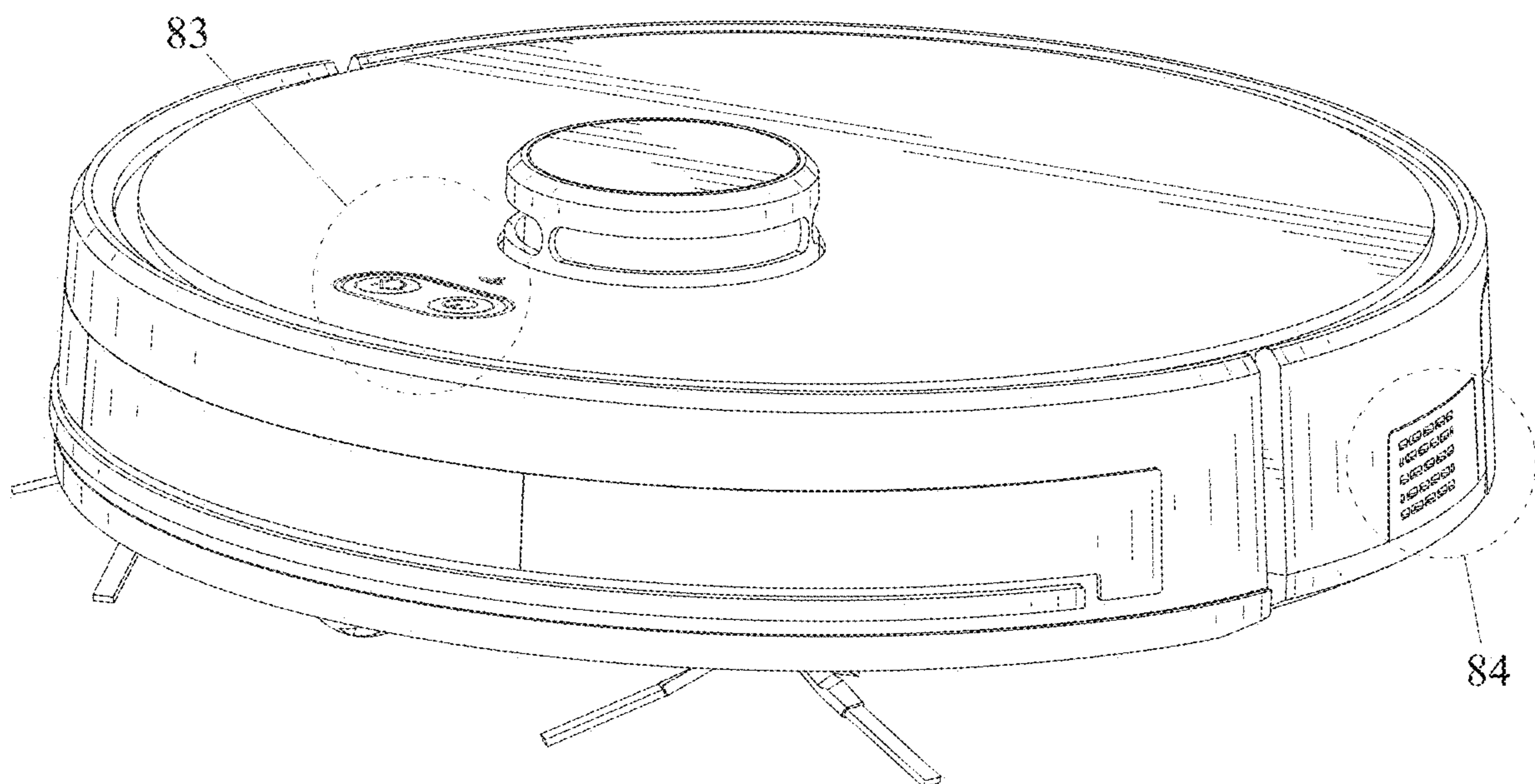


FIG. 1

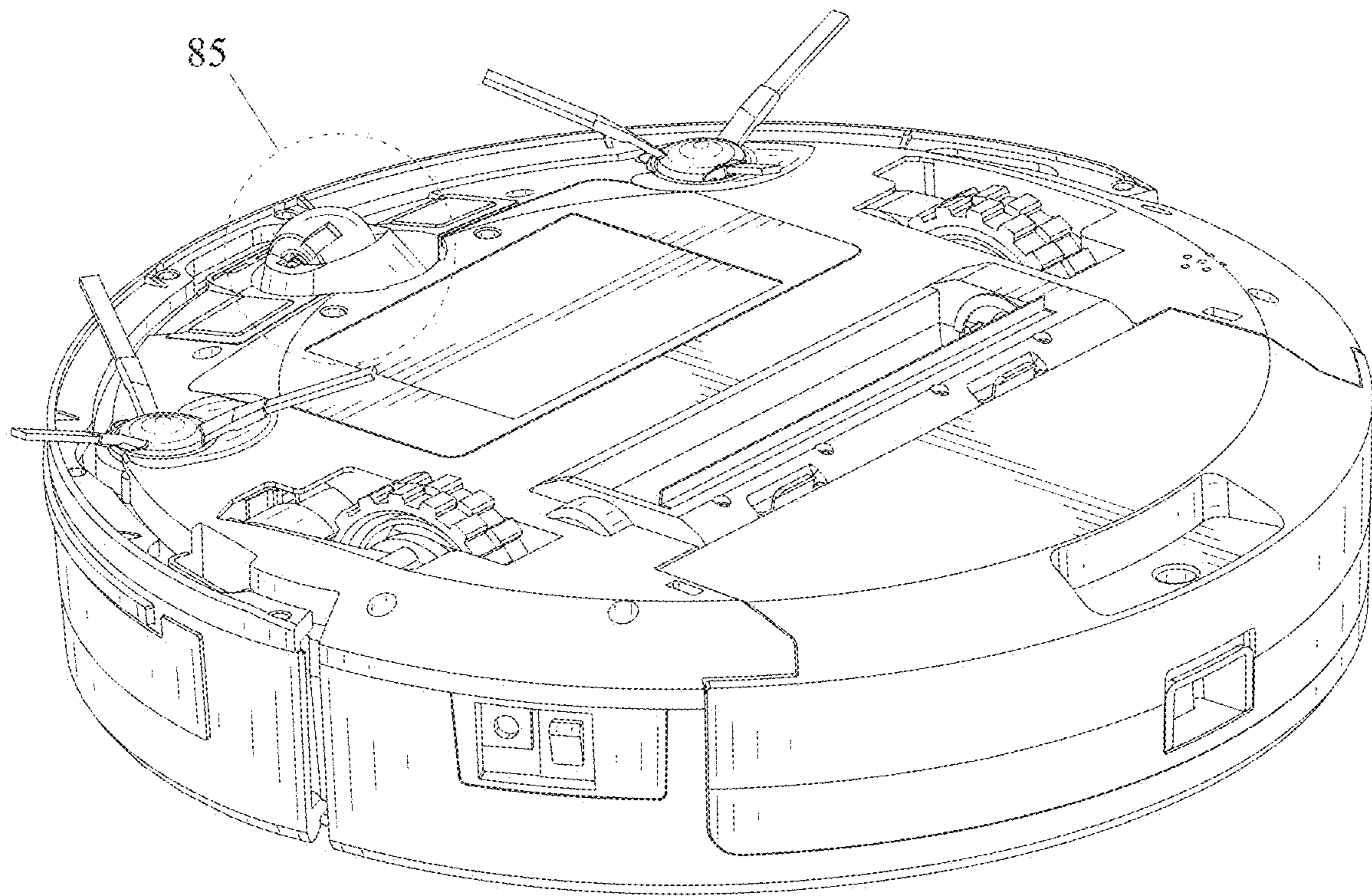


FIG. 2

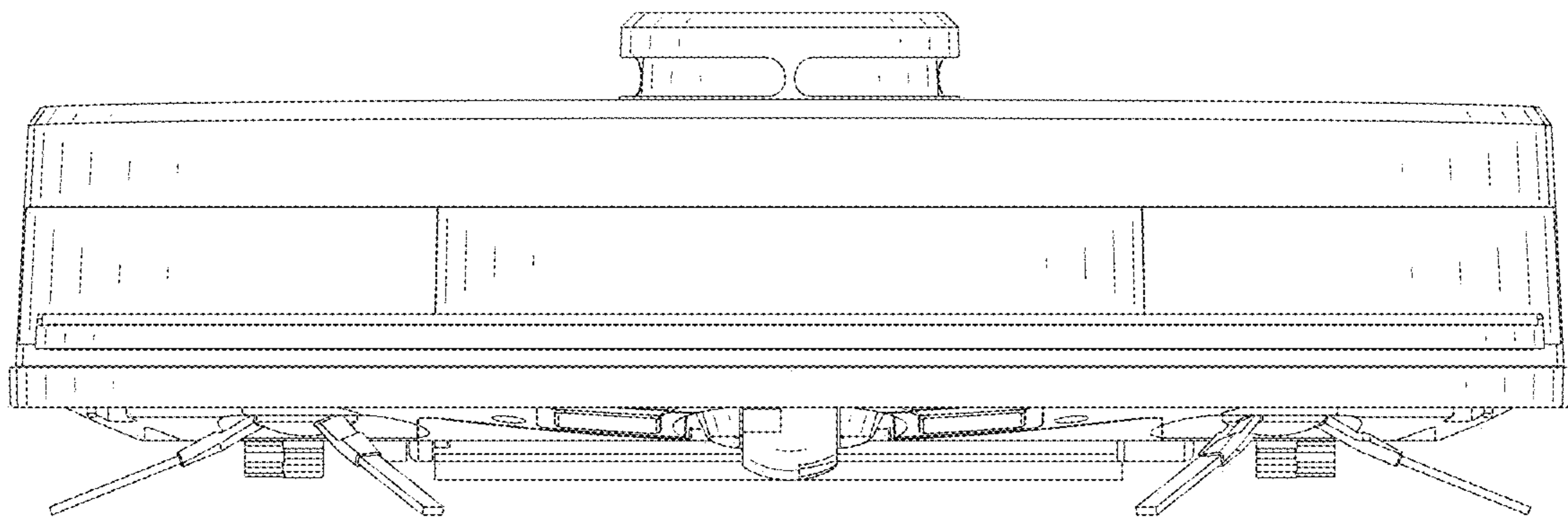


FIG. 3

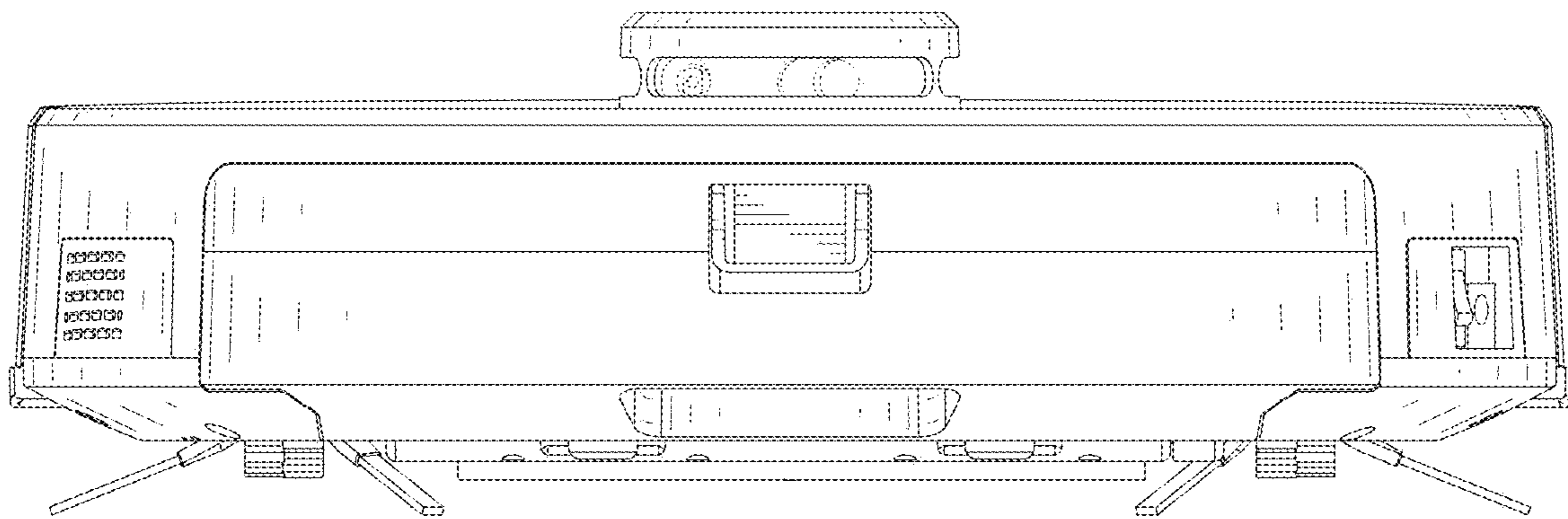


FIG. 4

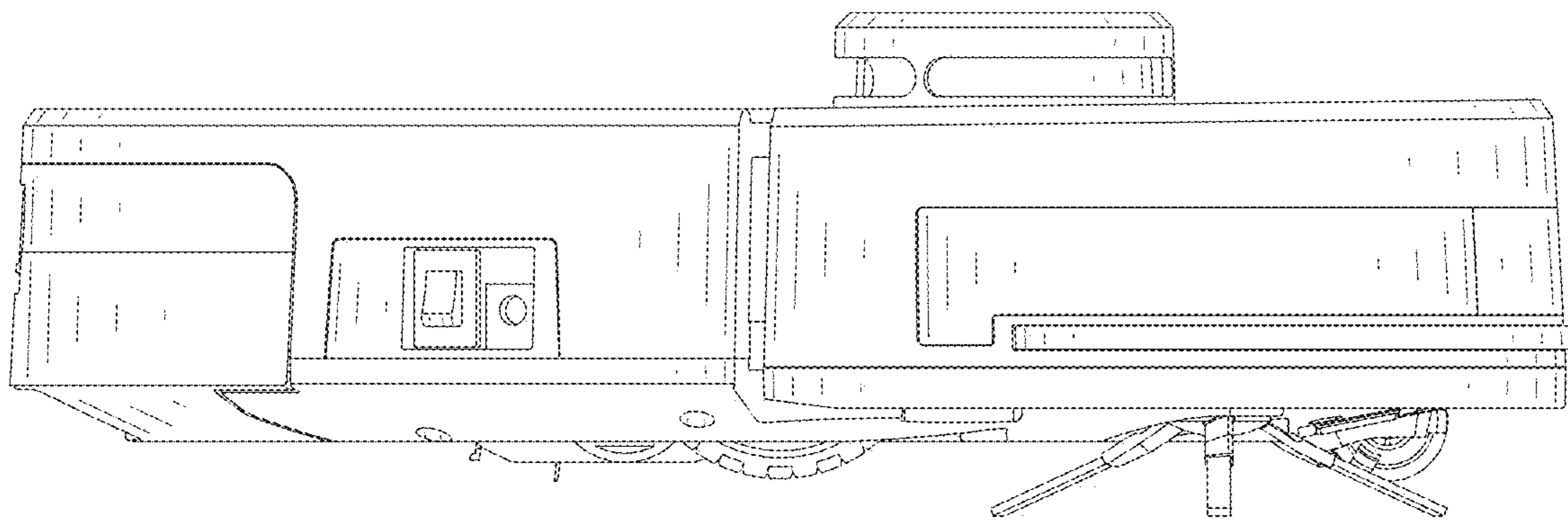


FIG. 5

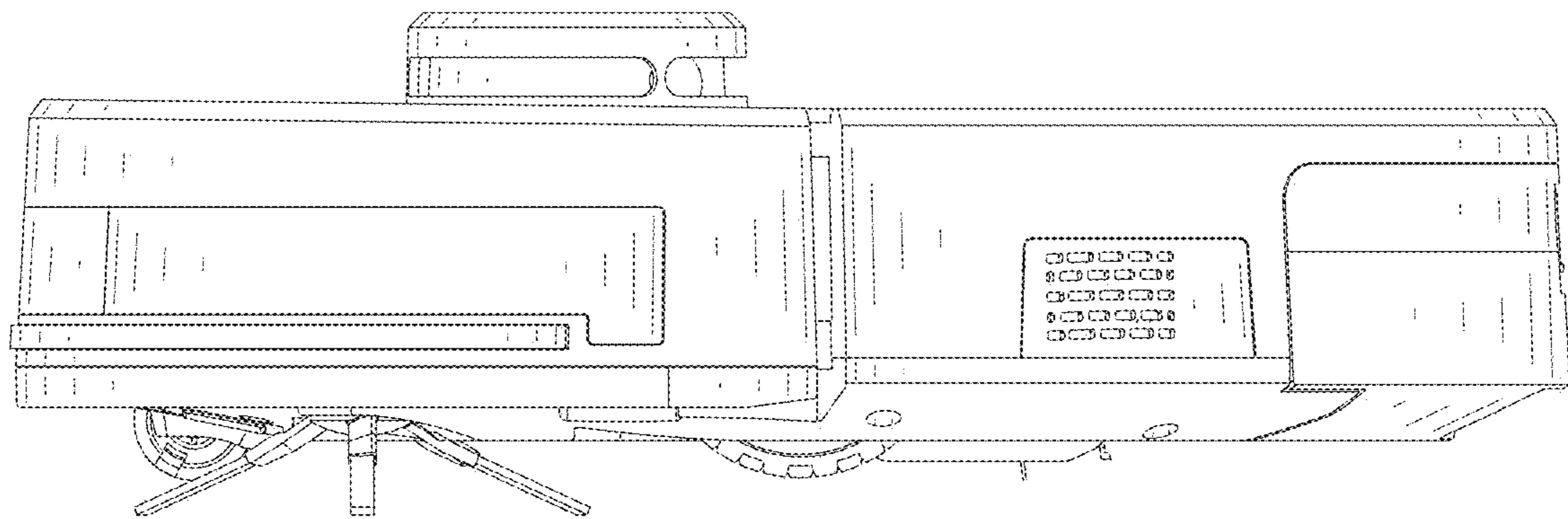


FIG. 6



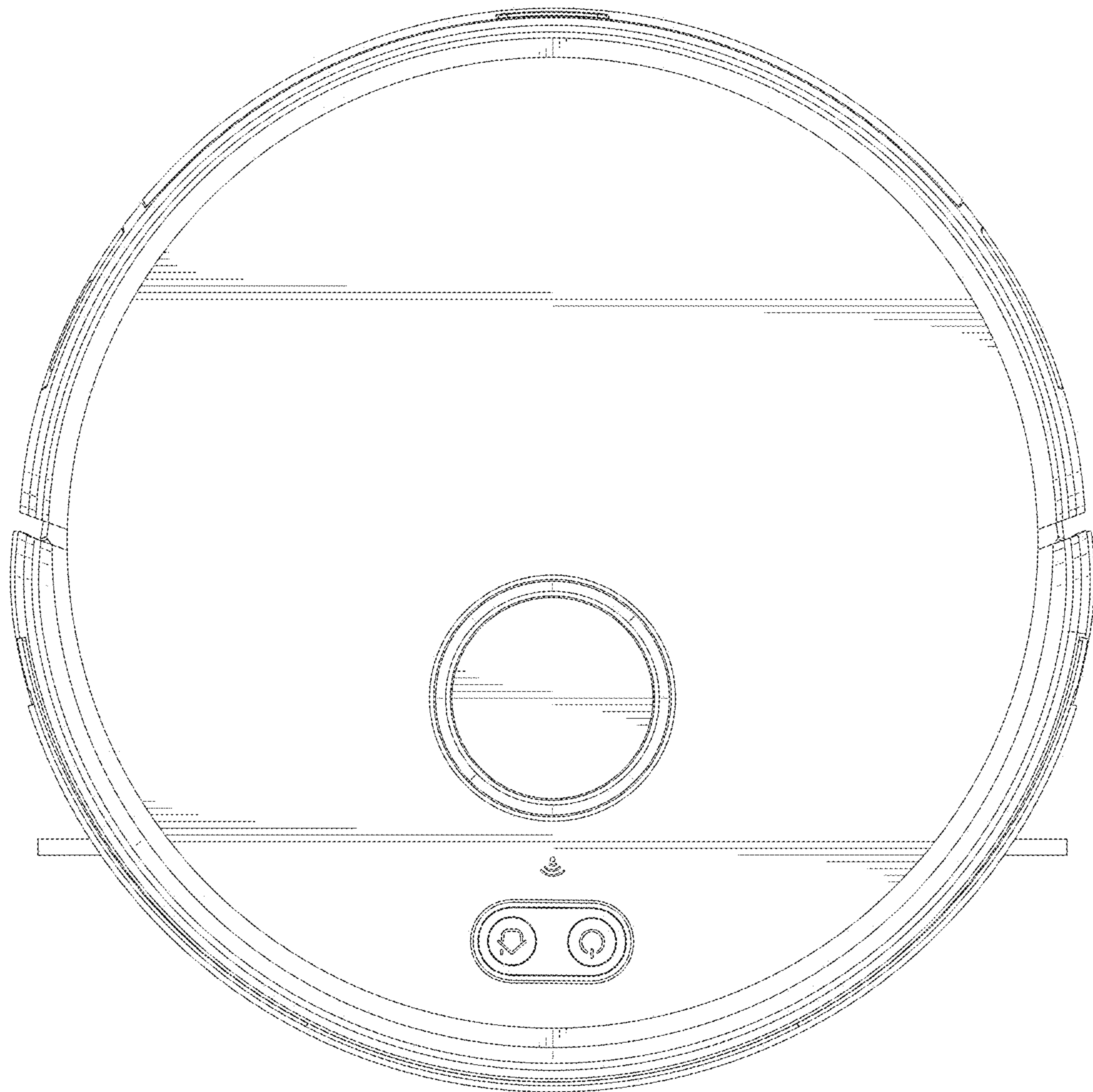


FIG. 7

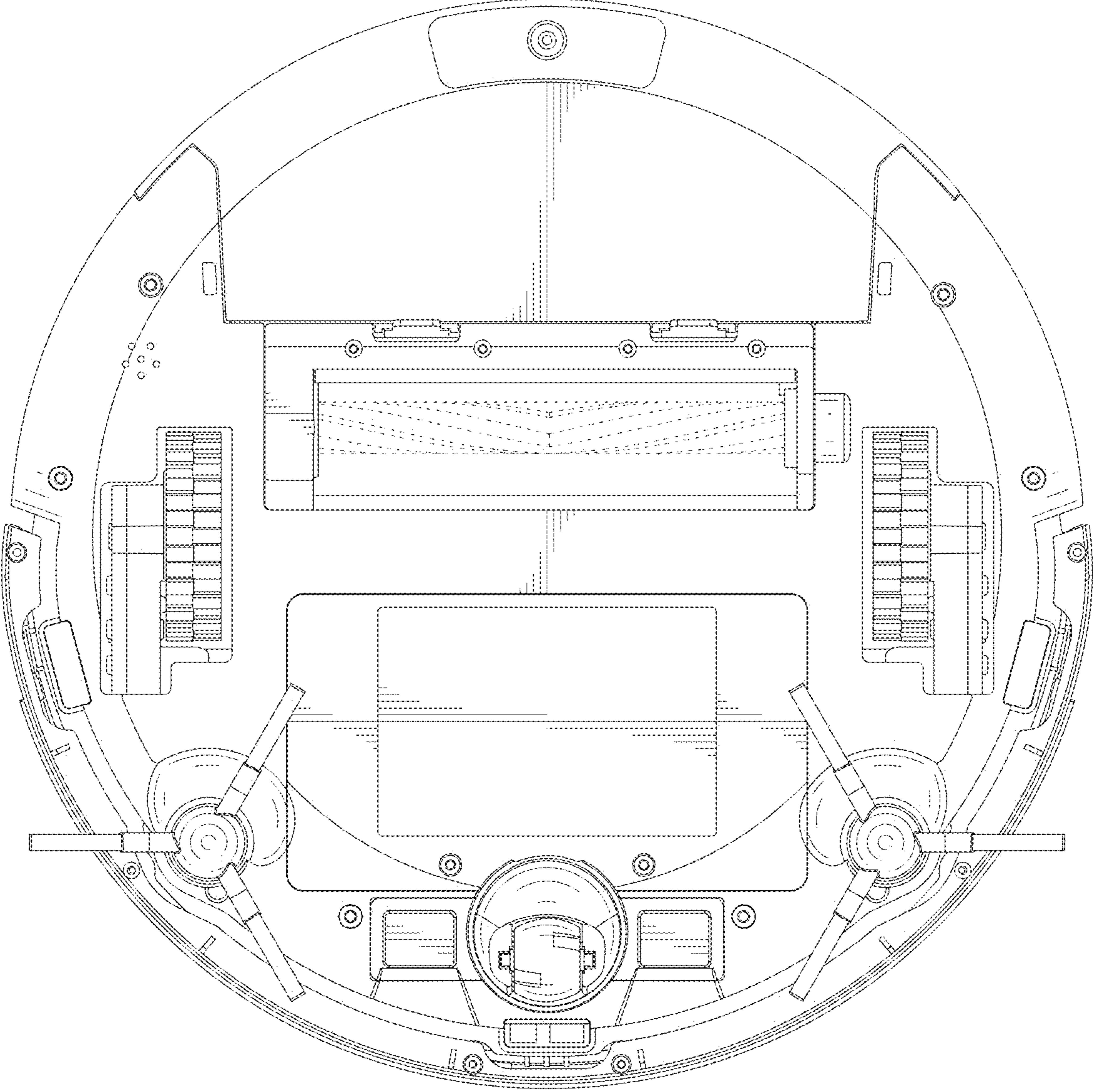


FIG. 8

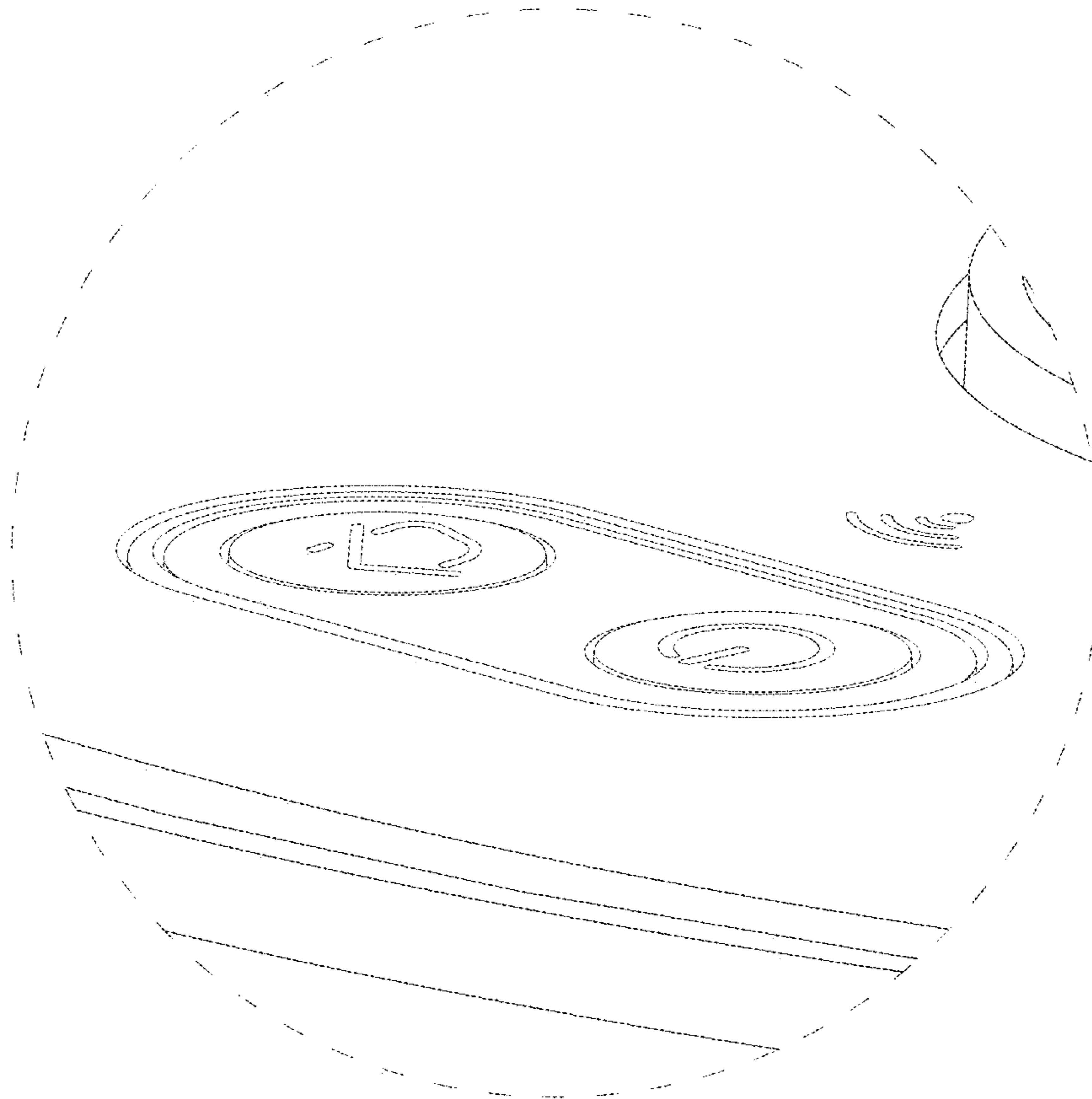


FIG. 9

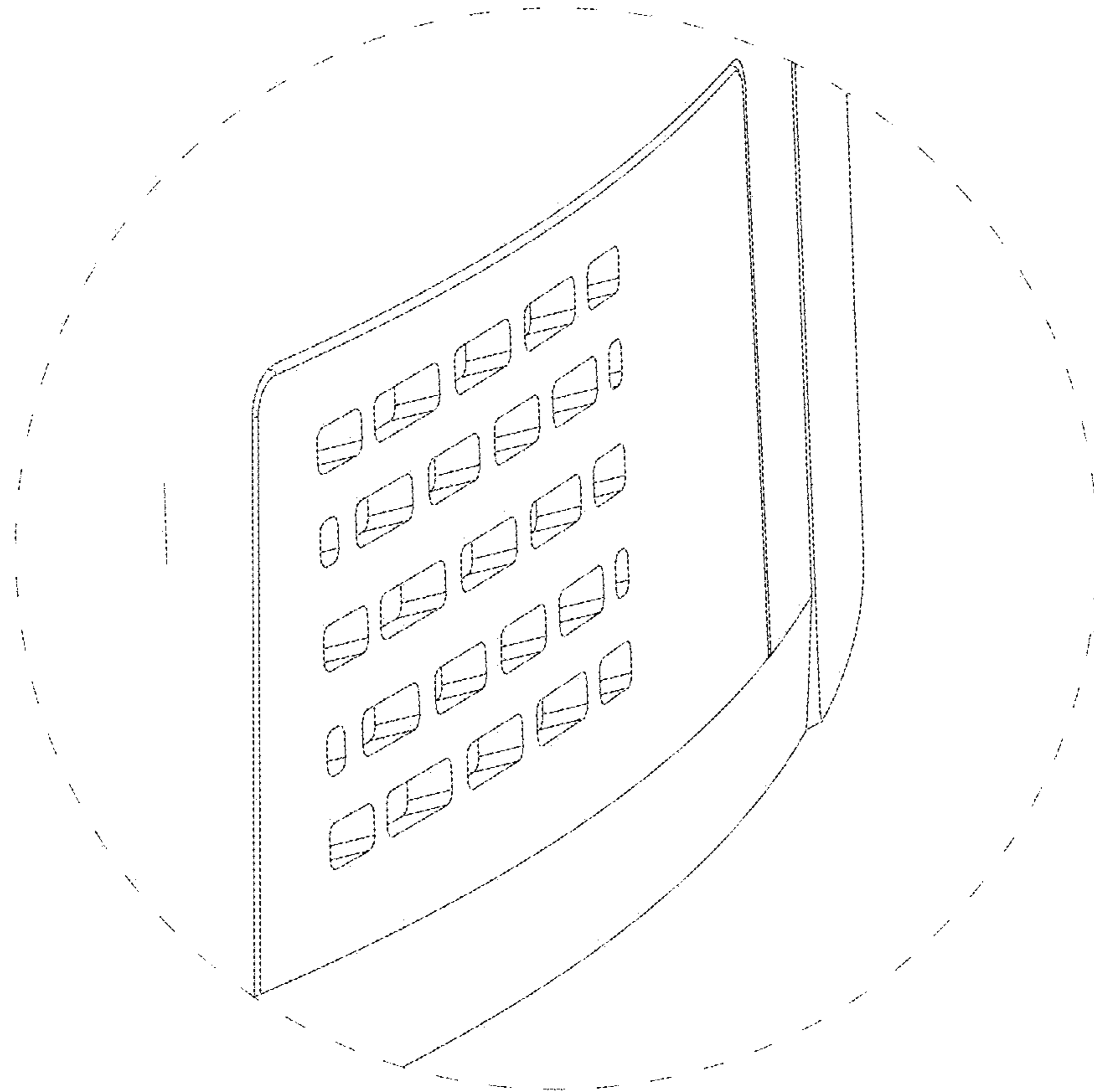


FIG. 10

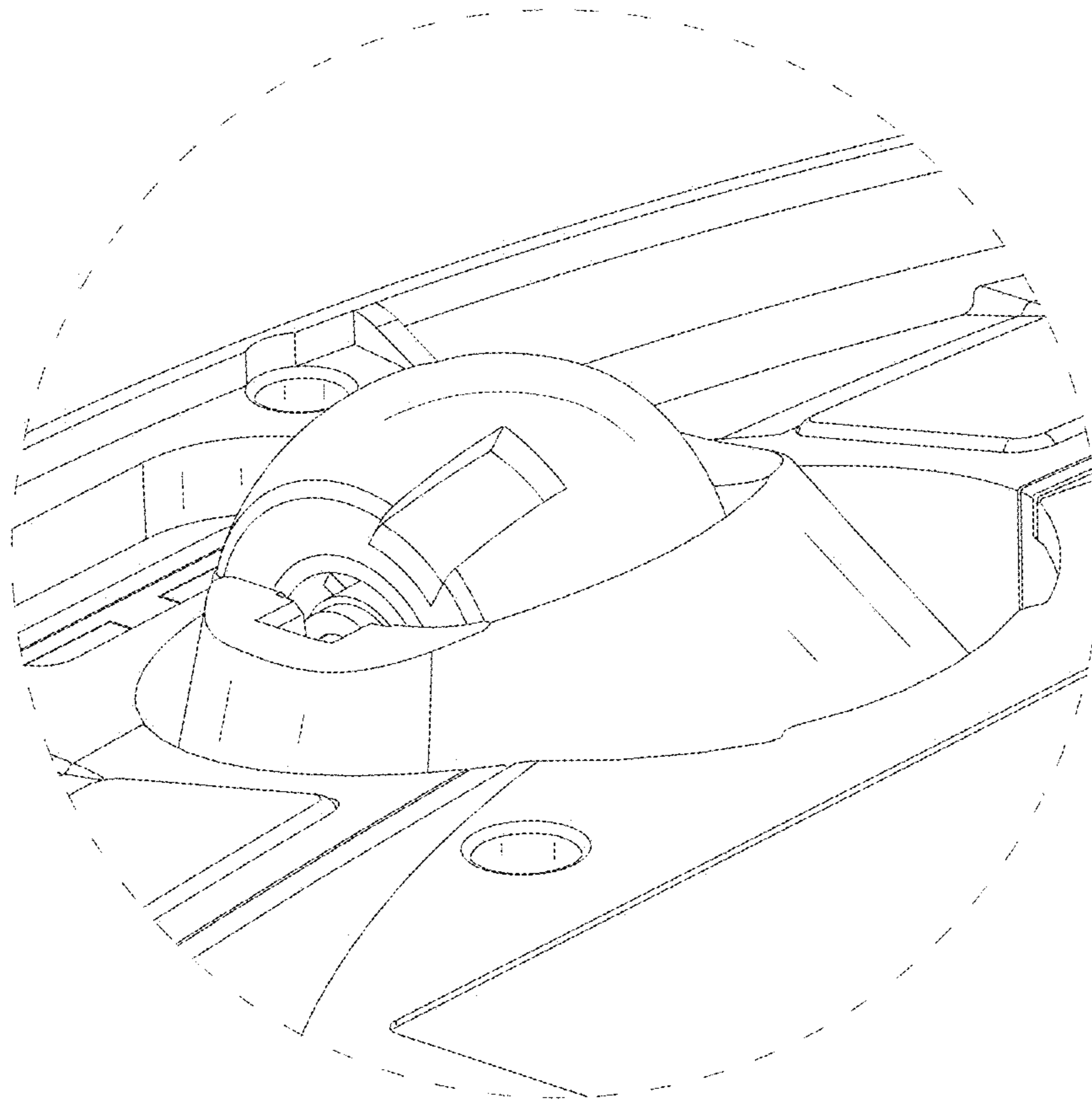


FIG. 11

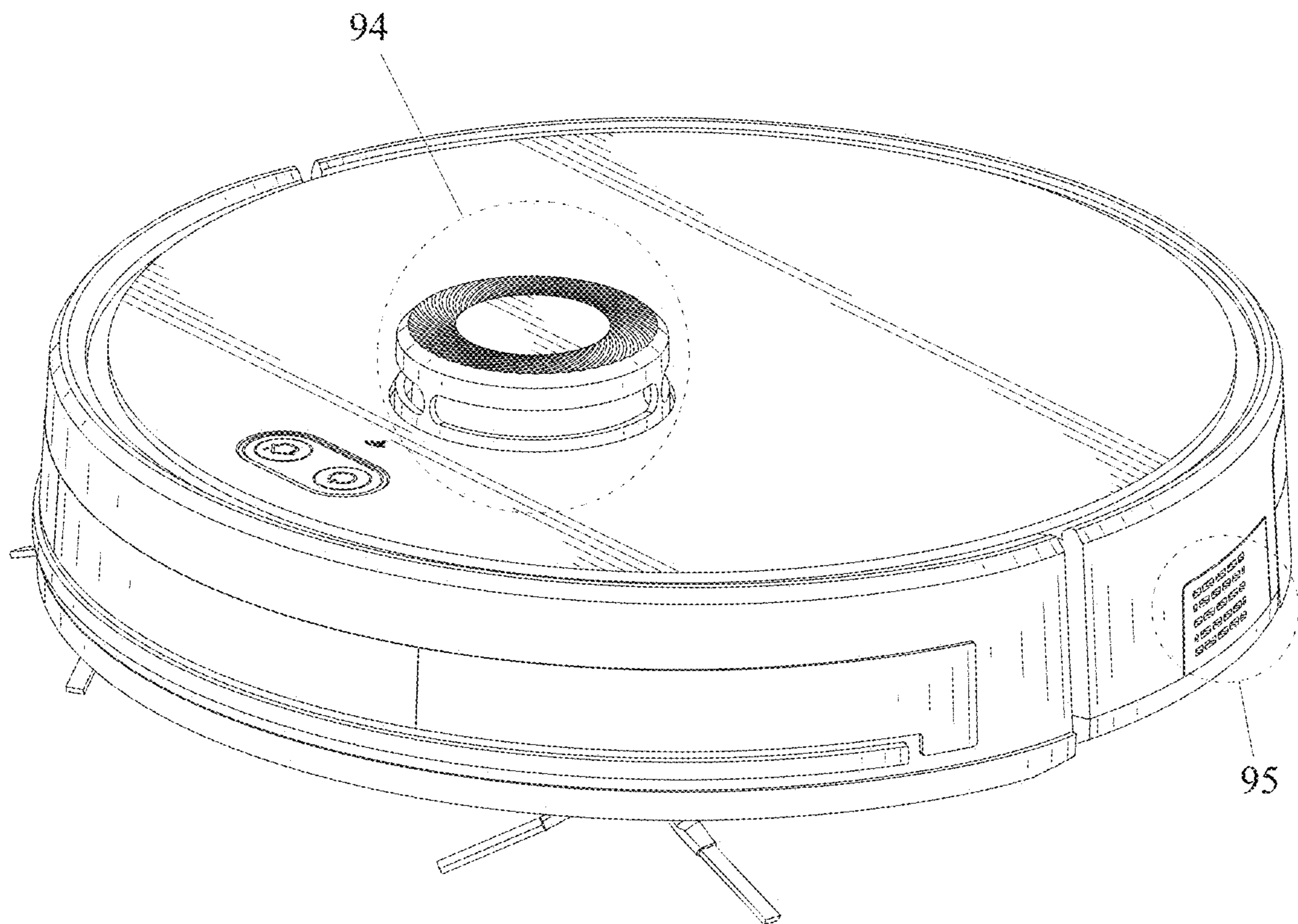


FIG. 12

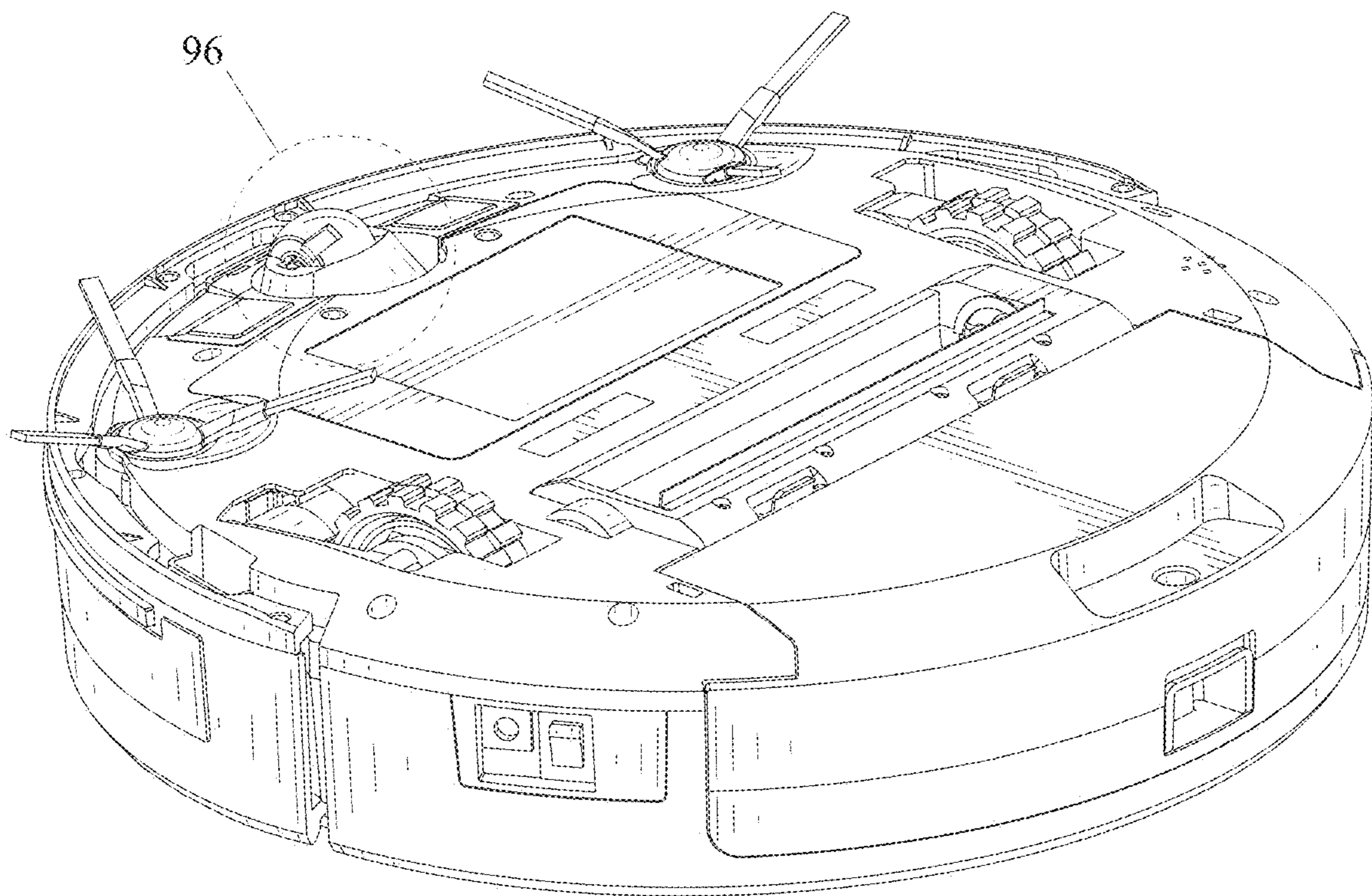


FIG. 13

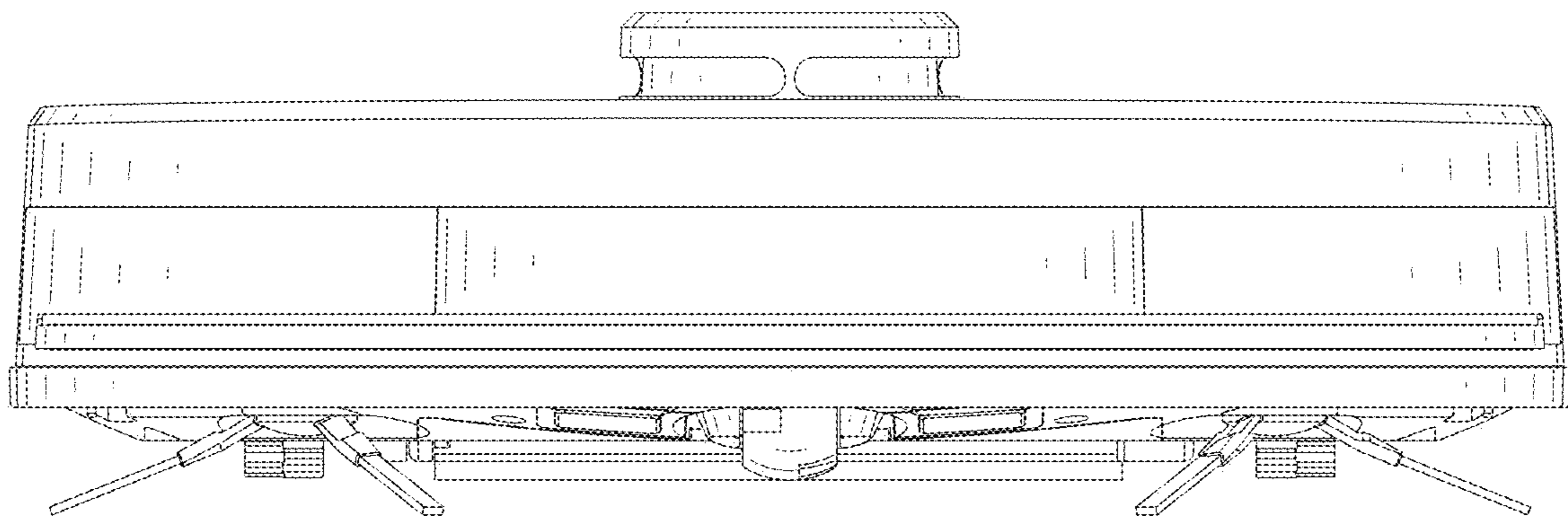


FIG. 14



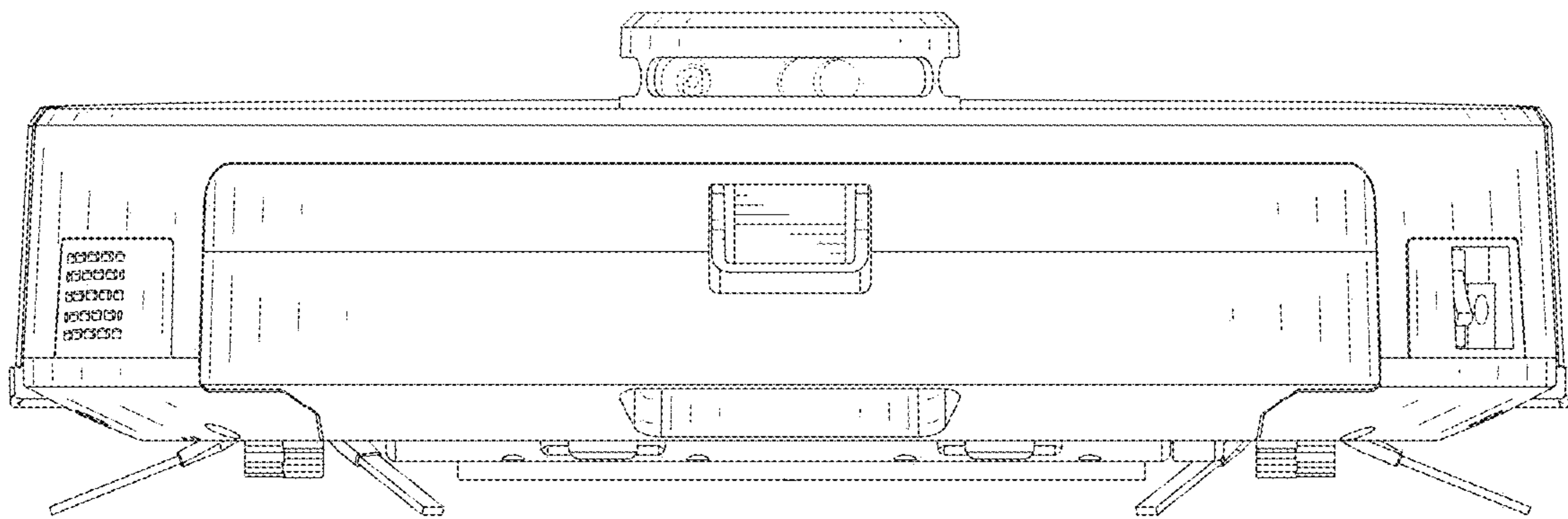


FIG. 15

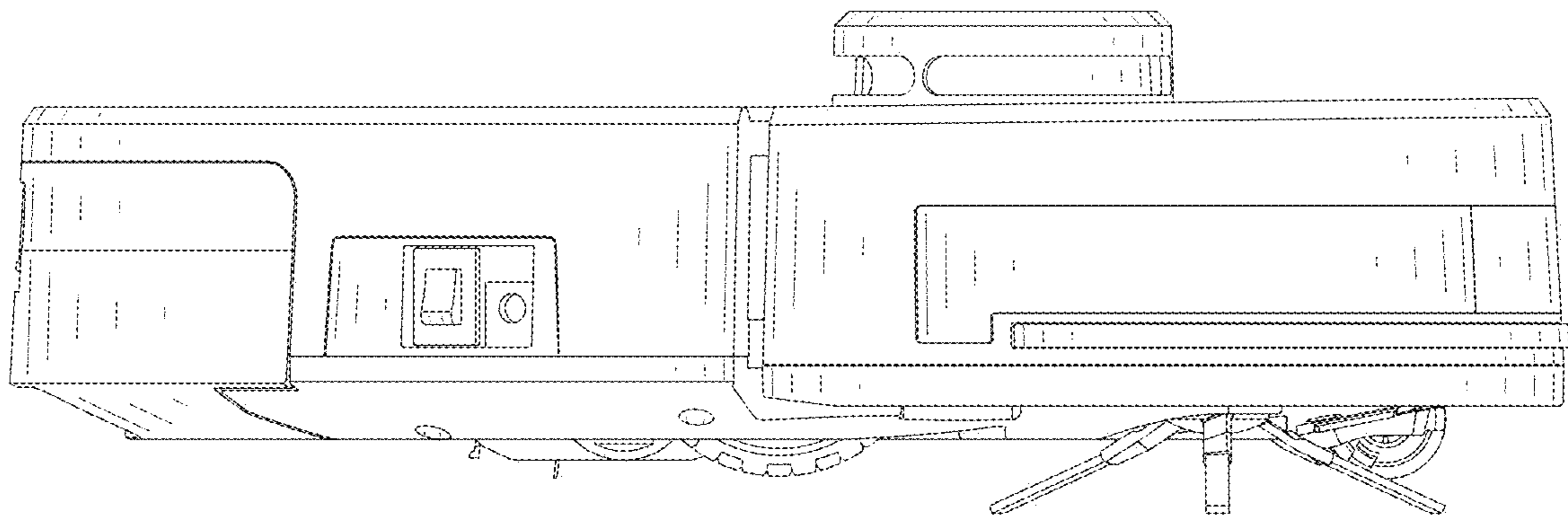


FIG. 16

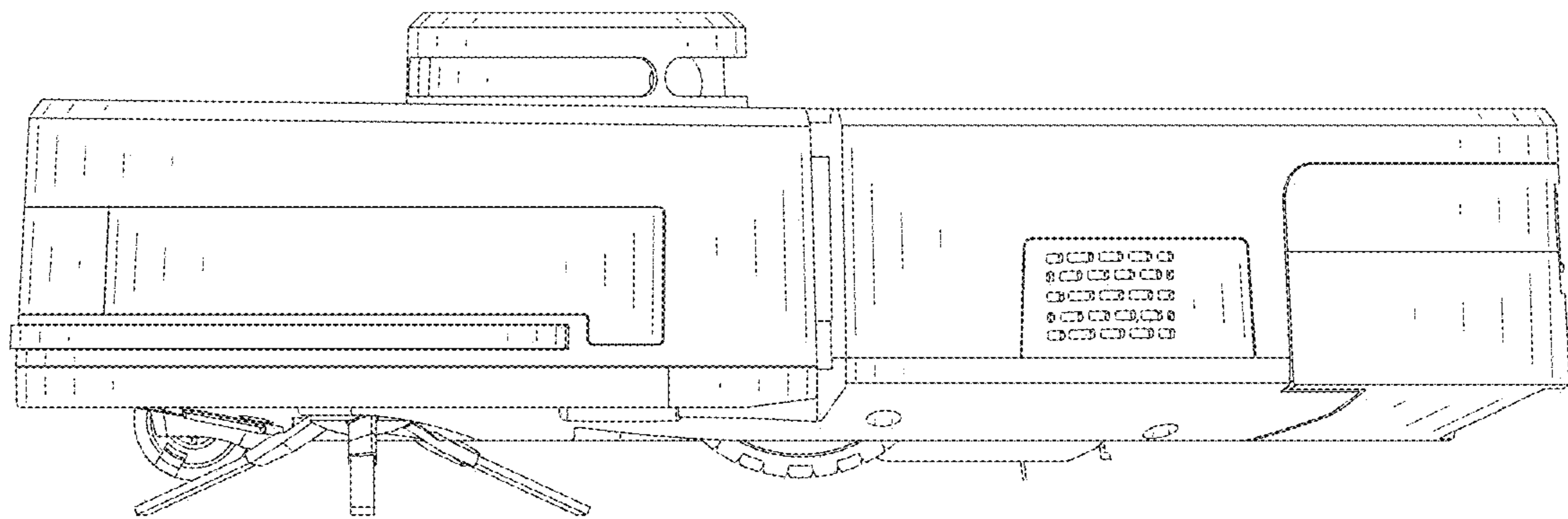


FIG. 17

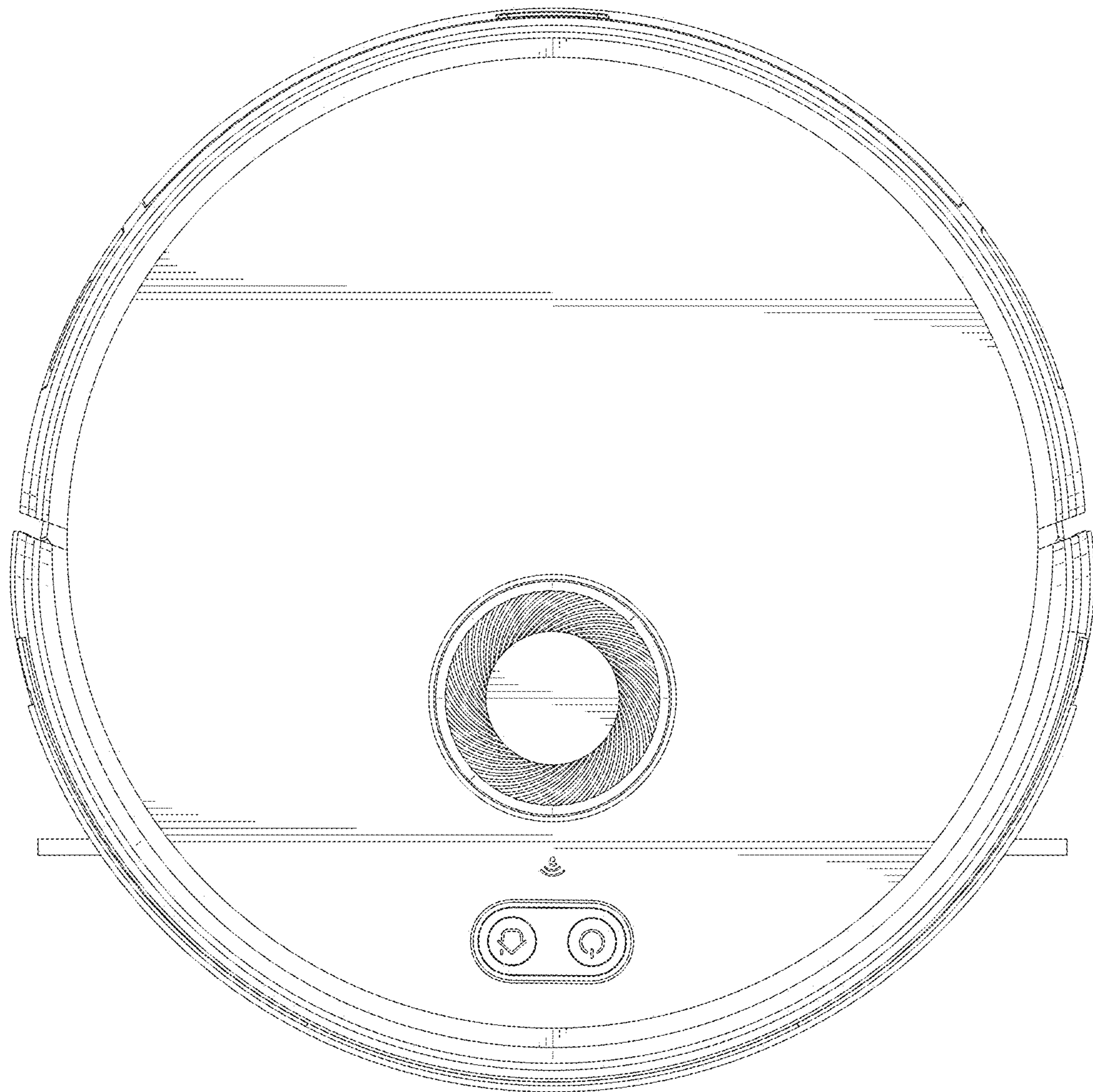


FIG. 18

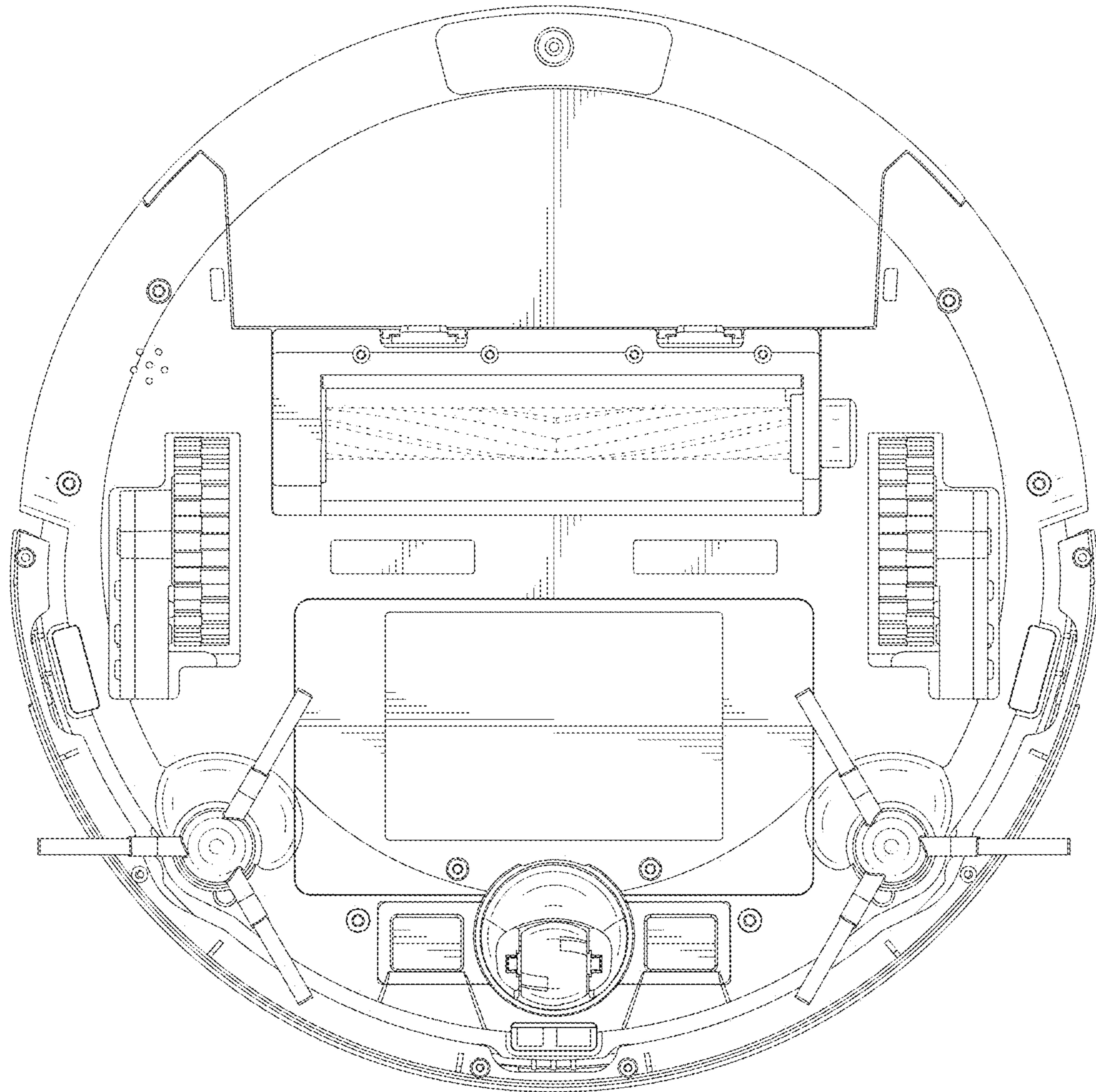


FIG. 19

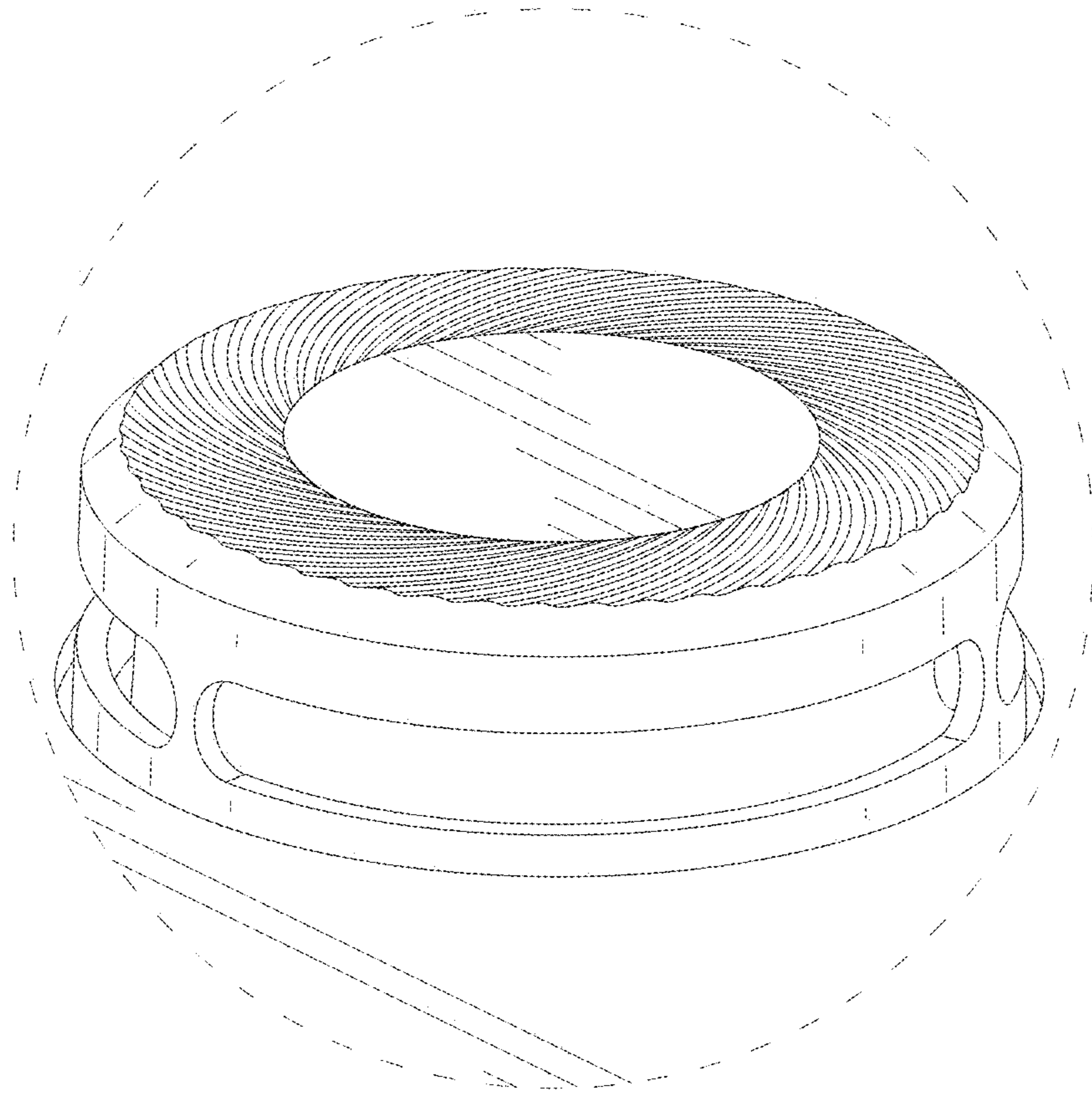


FIG. 20

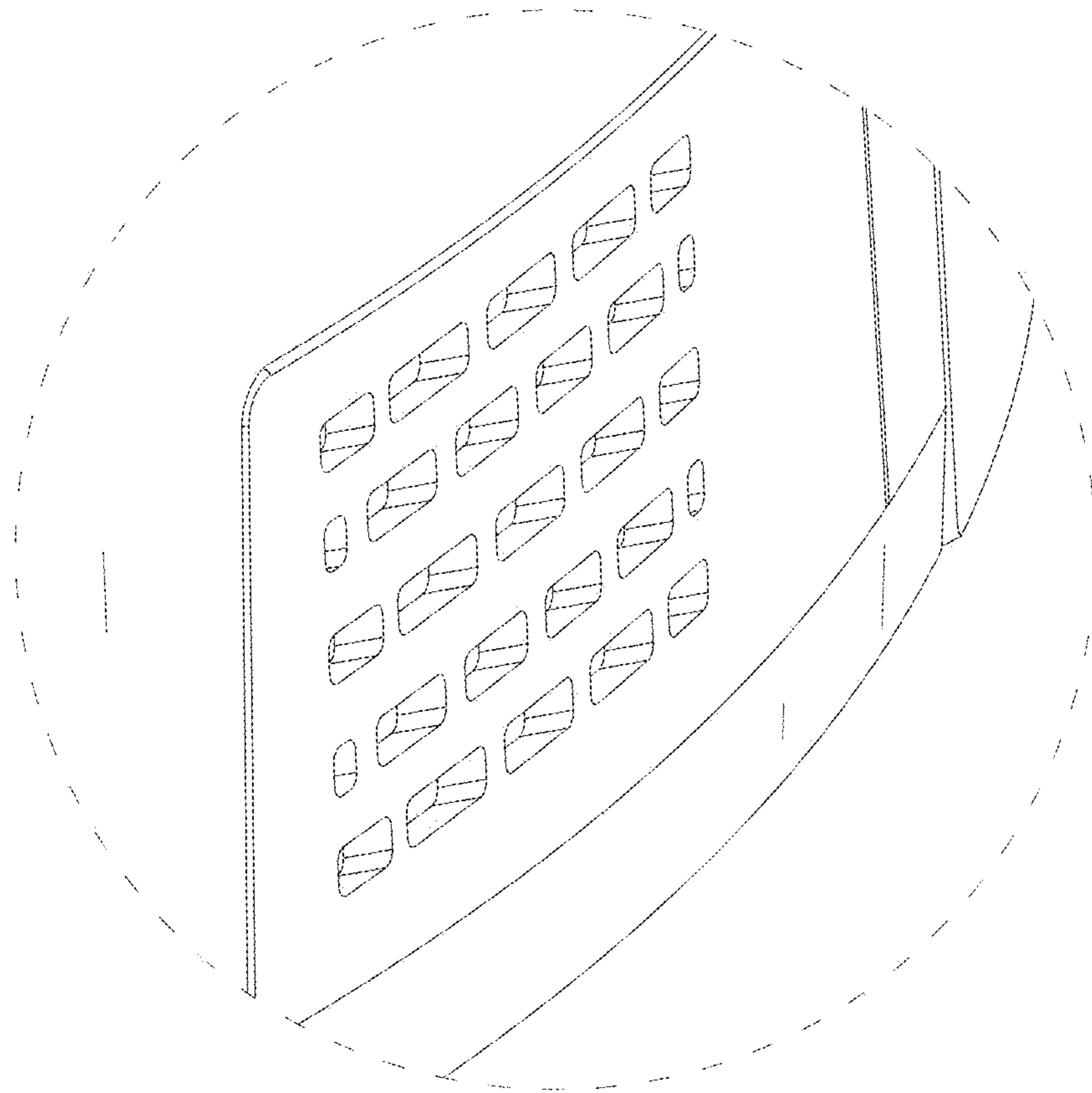


FIG. 21

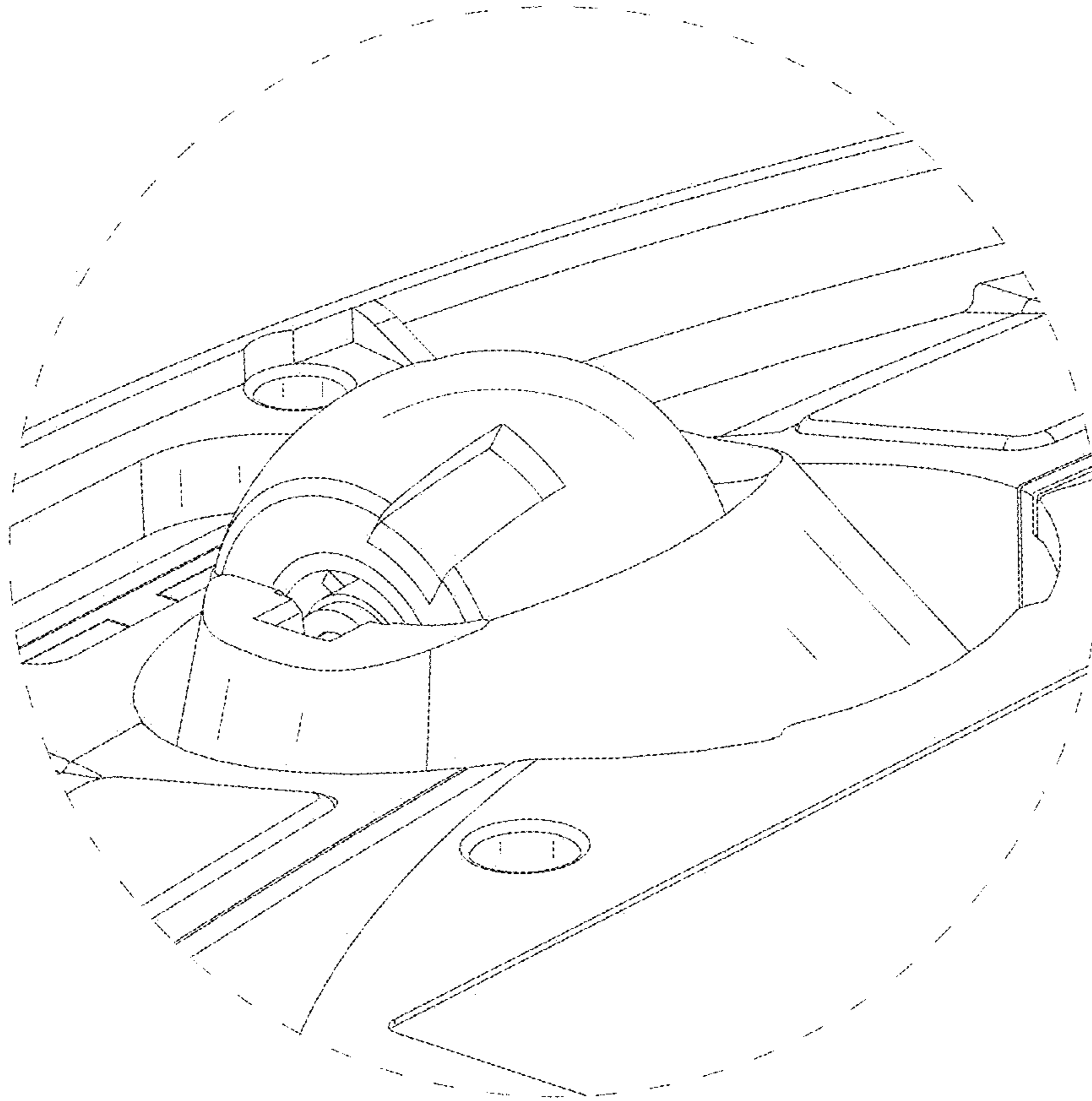


FIG. 22