

US00D965931S

(12) **United States Design Patent** (10) **Patent No.:** **US D965,931 S**
Rajput et al. (45) **Date of Patent:** **** Oct. 4, 2022**

(54) **PNEUMATIC DUST COLLECTOR**
(71) Applicant: **ATLAS COPCO AIRPOWER, NAAMLOZE VENNOOTSCHAP, Wilrijk (BE)**
(72) Inventors: **Prashant K. Rajput, Maharashtra (IN); Vishal Krishnarao Patil, Maharashtra (IN); Vijay Sohanlal Sharma, Maharashtra (IN); Srinivasan Arjune, Tamil Nadu (IN)**

(73) Assignee: **ATLAS COPCO AIRPOWER, NAAMLOZE VENNOOTSCHAP, Wilrijk (BE)**

(**) Term: **15 Years**

(21) Appl. No.: **29/731,300**

(22) Filed: **Apr. 14, 2020**

(30) **Foreign Application Priority Data**

Jan. 28, 2020 (EM) 007565452-0001

(51) **LOC (13) Cl.** **15-05**

(52) **U.S. Cl.**
USPC **D32/21; D32/23**

(58) **Field of Classification Search**
USPC D32/18, 21, 23, 24, 31; D8/70
CPC A47L 2201/024; A47L 5/24; A47L 5/30; A47L 5/36; A47L 5/225; A47L 5/365; A47L 9/0036; A47L 9/04; A47L 9/0411; A47L 9/24; A47L 9/106; A47L 9/1683; A47L 9/322; A47L 9/325; A47L 9/327; A47L 9/1608; A47L 7/0004; A47L 7/0095; B23Q 11/0046; B23Q 11/0071; B25D 16/00; B01D 2279/00; B01D 46/4272

See application file for complete search history.

(56) **References Cited**
U.S. PATENT DOCUMENTS
D278,457 S * 4/1985 Schroder D23/205
D527,852 S * 9/2006 Tsai D32/21
D531,769 S * 11/2006 Lin D32/21
D533,694 S * 12/2006 Cheng D32/21
D593,264 S * 5/2009 Lin D32/21
D629,576 S * 12/2010 Cheng D32/21
D630,391 S * 1/2011 Cheng D32/21
D630,392 S * 1/2011 Lin D32/21
D632,854 S * 2/2011 Witter D32/21

(Continued)

FOREIGN PATENT DOCUMENTS

CN 304073573 * 3/2017
CN 306973076 * 11/2021

OTHER PUBLICATIONS

The 8 Best Dust-Collection Systems for Your Garage or Home Workshop, available in popularmechanics.com, announced Aug. 2, 2021 [online], [site visited Feb. 15, 2022], Internet URL: <https://www.popularmechanics.com/home/tools/g37133914/best-dust-collection-systems/> (Year: 2021).*

(Continued)

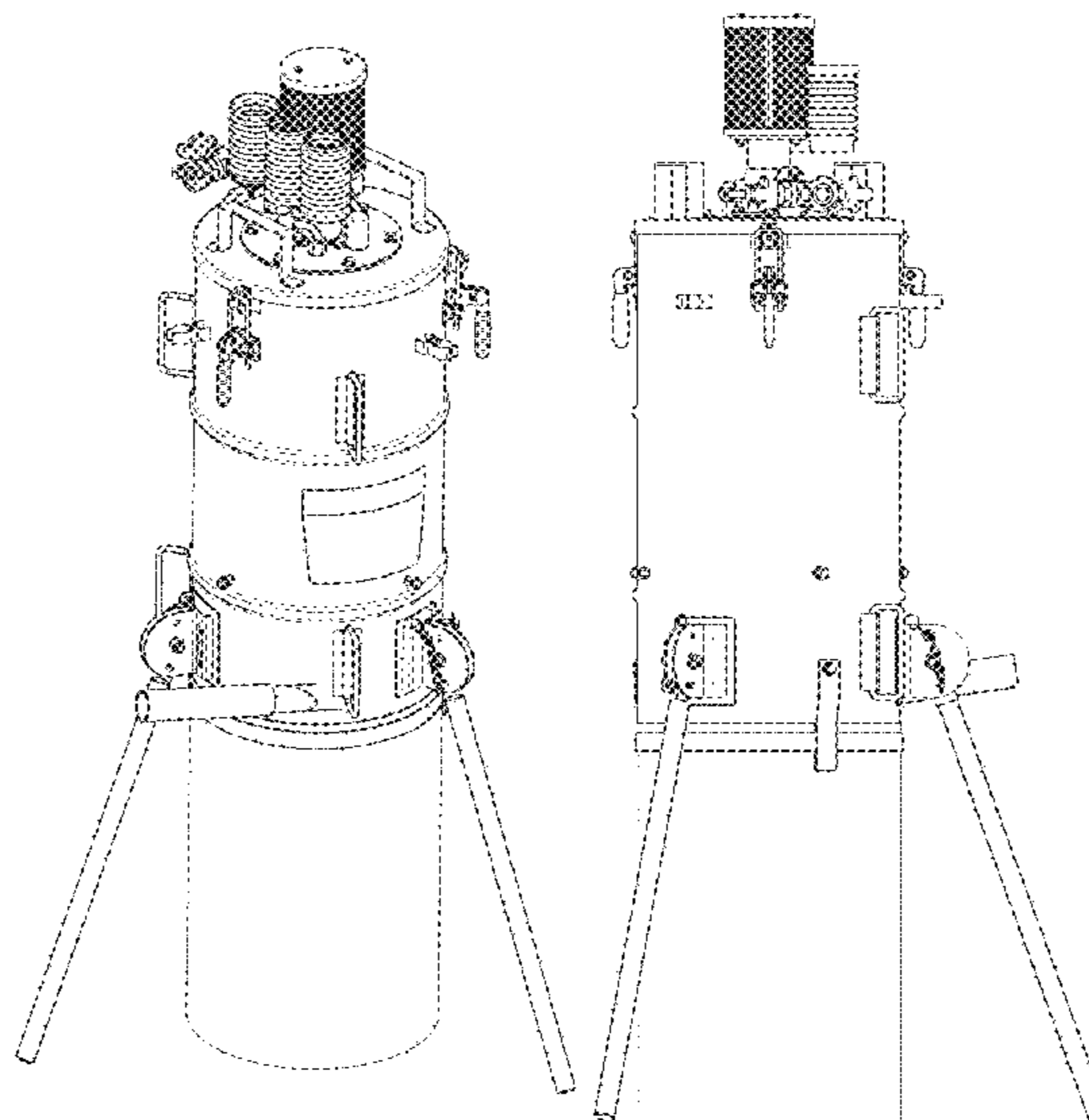
Primary Examiner — Jennifer Rivard
Assistant Examiner — Jennylou M Binas
(74) *Attorney, Agent, or Firm* — Bacon & Thomas, PLLC

(57) **CLAIM**
The ornamental design for a pneumatic dust collector, as shown and described.

DESCRIPTION

FIG. 1 is a perspective view of the pneumatic dust collector. FIG. 2 is a front view thereof. FIG. 3 is a back view thereof. FIG. 4 is a left side view thereof. FIG. 5 is a right side view thereof; and, FIG. 6 is a top view thereof.

1 Claim, 6 Drawing Sheets



(56)

References Cited

U.S. PATENT DOCUMENTS

D651,775 S * 1/2012 Cheng D32/21
 D651,776 S * 1/2012 Cheng D32/21
 8,393,050 B2 * 3/2013 Witter B01D 46/2411
 15/353
 D690,064 S * 9/2013 Witter D32/21
 D706,317 S * 6/2014 Eliason D15/124
 D804,116 S * 11/2017 Cheng D32/21
 2011/0078873 A1 * 4/2011 Herrett A47L 5/38
 15/347
 2011/0203238 A1 * 8/2011 Witter B01D 46/42
 55/356
 2012/0272631 A1 * 11/2012 Lin A47L 9/00
 55/467
 2018/0169558 A1 * 6/2018 Cheng B01D 46/681
 2018/0339257 A1 * 11/2018 Cheng B01D 45/12
 2018/0345199 A1 * 12/2018 Cheng B01D 50/20

2019/0125153 A1 * 5/2019 Loveless A47L 9/1683
 2019/0133393 A1 * 5/2019 Cheng B01D 46/24
 2019/0299141 A1 * 10/2019 Cheng B01D 45/16
 2021/0138384 A1 * 5/2021 Rajput B01D 46/4272

OTHER PUBLICATIONS

One small diesel compressor powers two pneumatic tools, a dust collector and a light tower, announced in YouTube on Dec. 1, 2020 [online], [site visited Feb. 15, 2022], Available from the internet URL: <https://www.youtube.com/watch?v=6JnC7ezRhkY> (Year: 2020).
 APT ADP 10 Dust Collection System, available in <https://www.constructionequipment.com/>, announced Mar. 18, 2019 [online], [site visited Nov. 16, 2020], Internet URL: <https://www.constructionequipment.com/light-equipment/dust-collection-systems/product/10755817/apt-adp-10-dust-collection-system> (Year: 2019).*

* cited by examiner

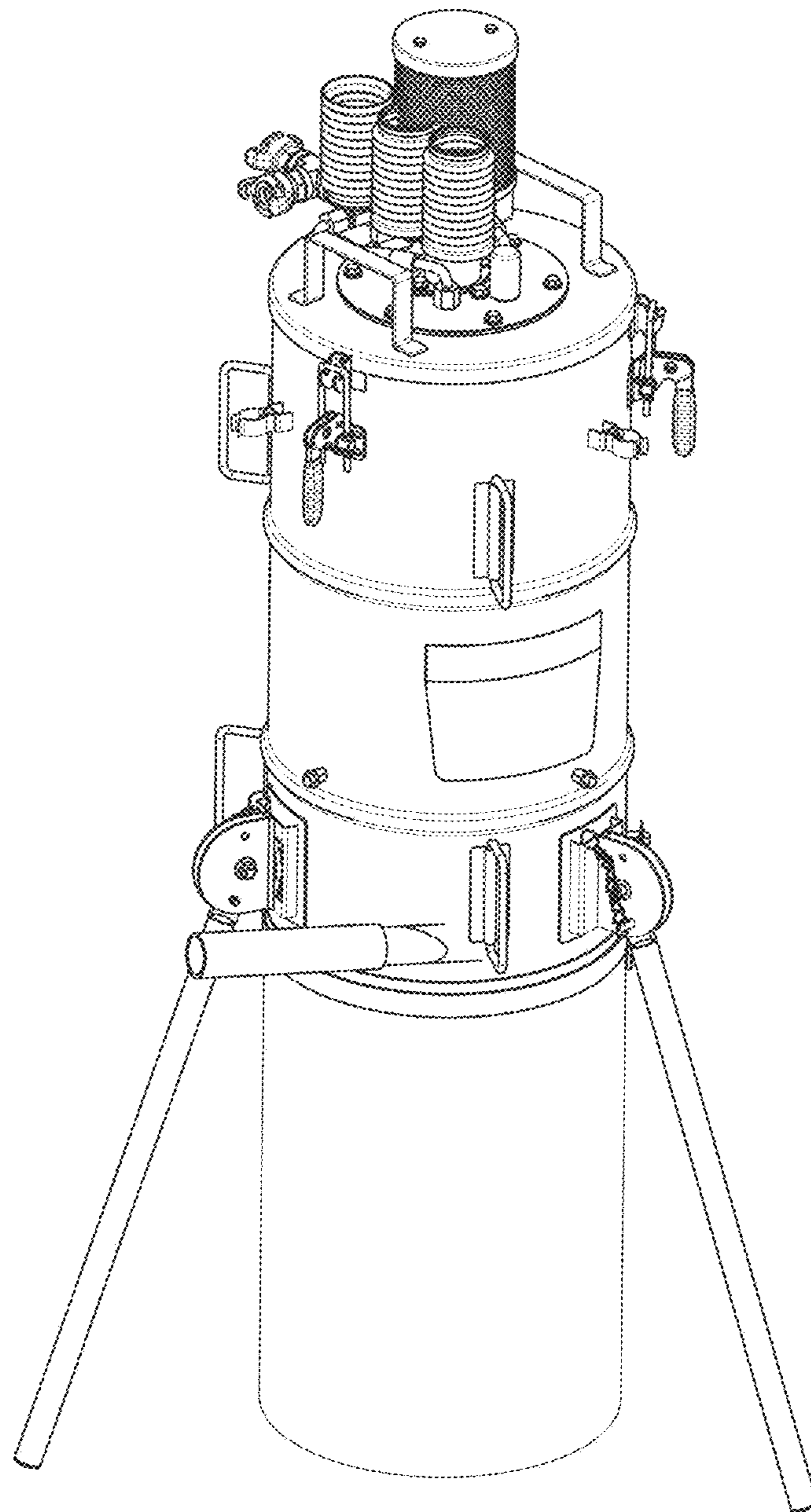


Fig. 1

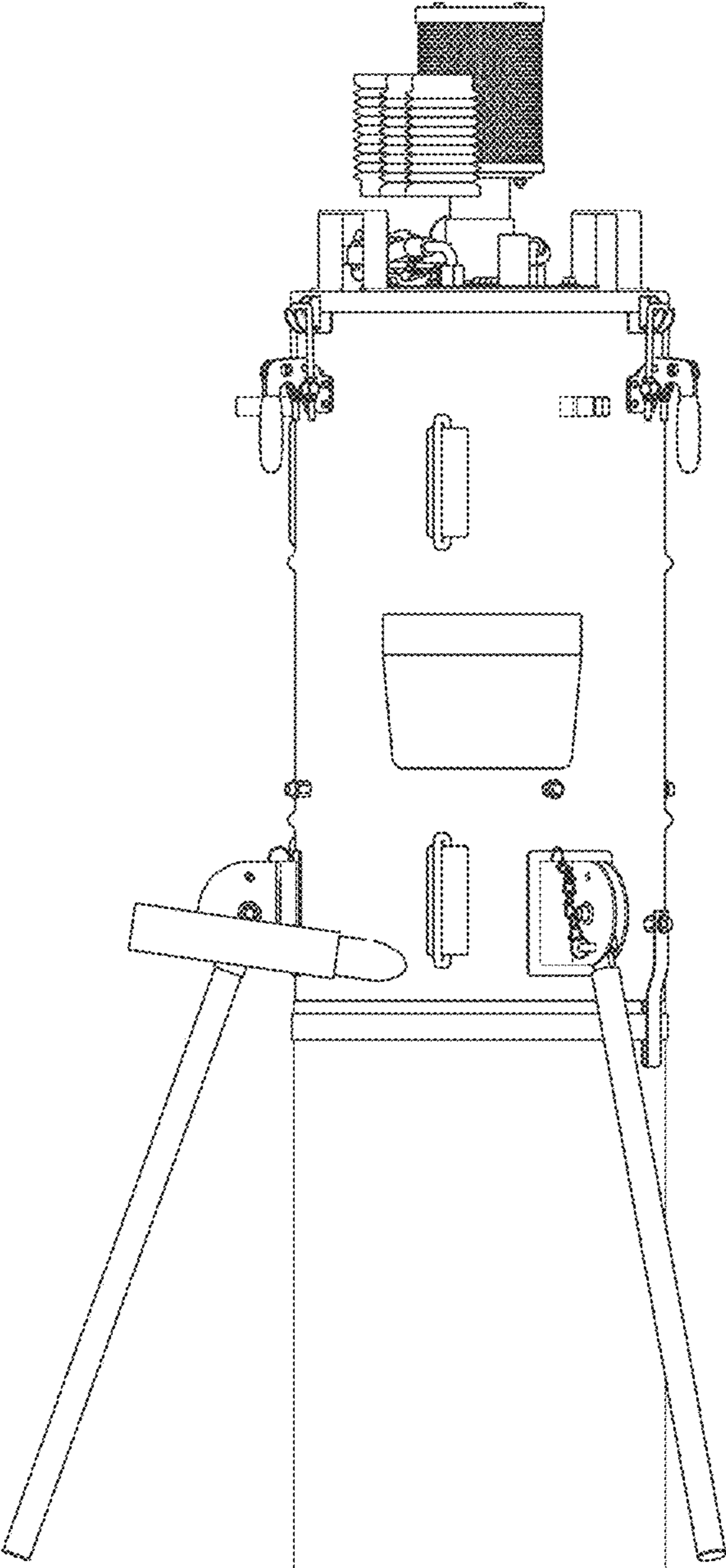


Fig. 2

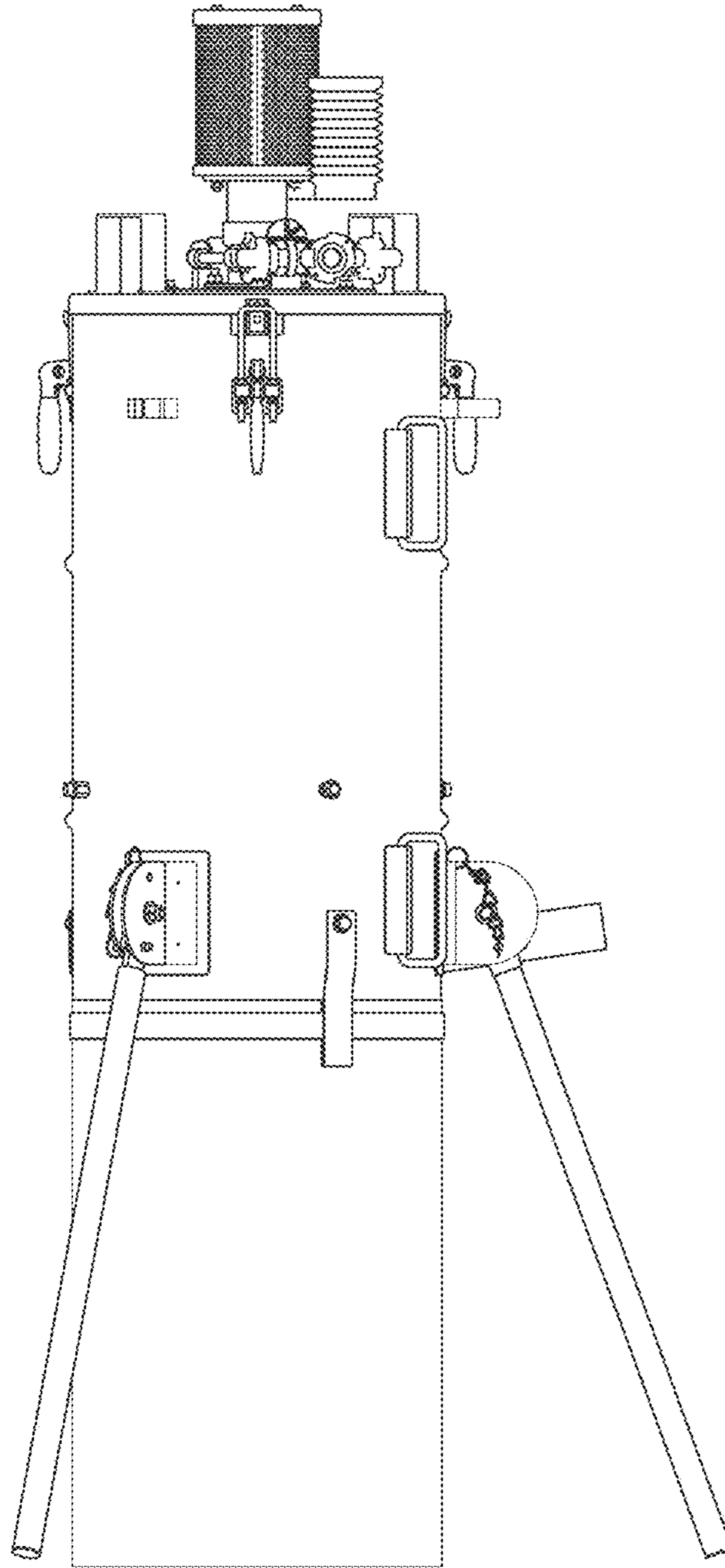


Fig. 3

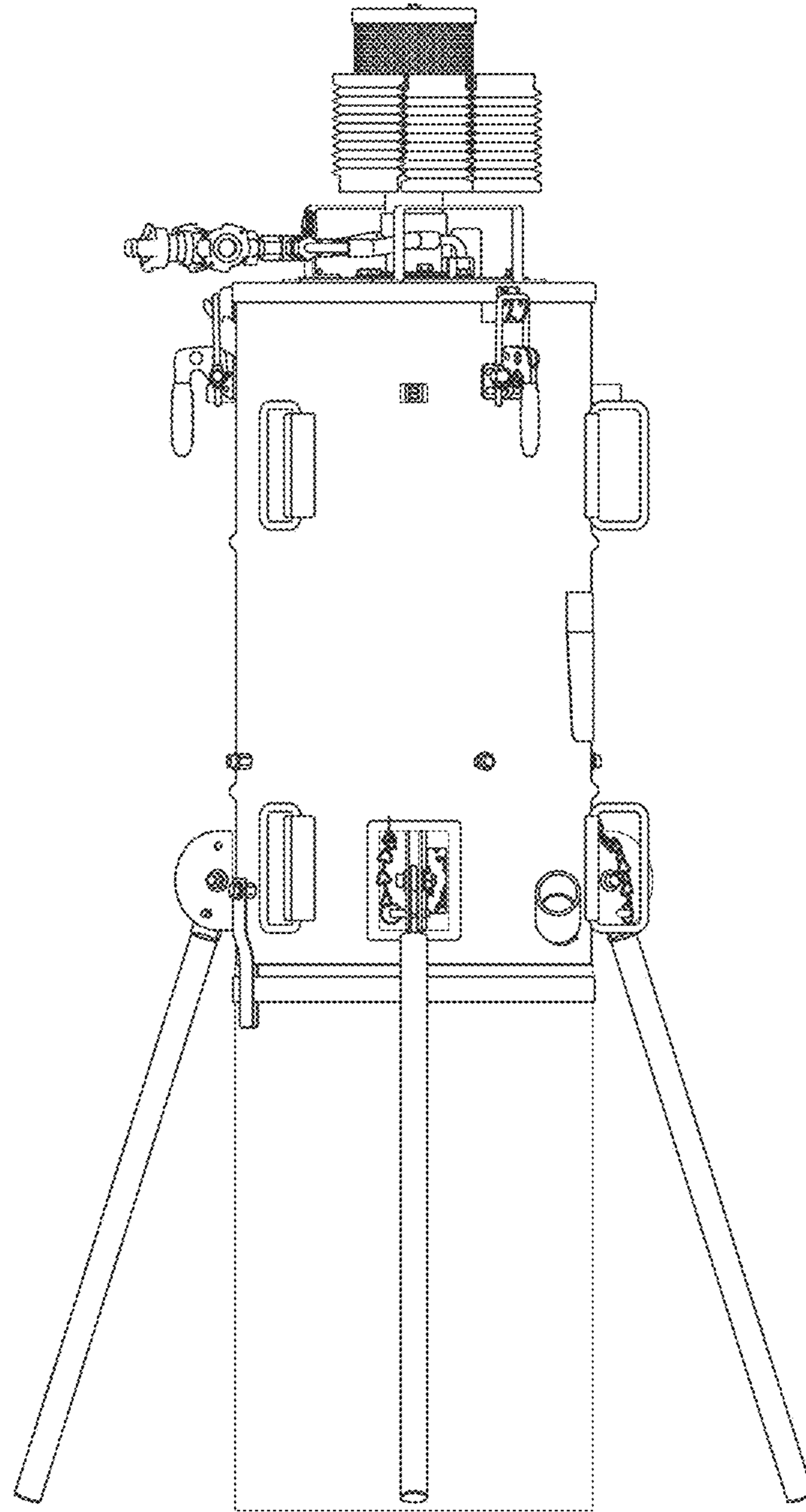


Fig. 4

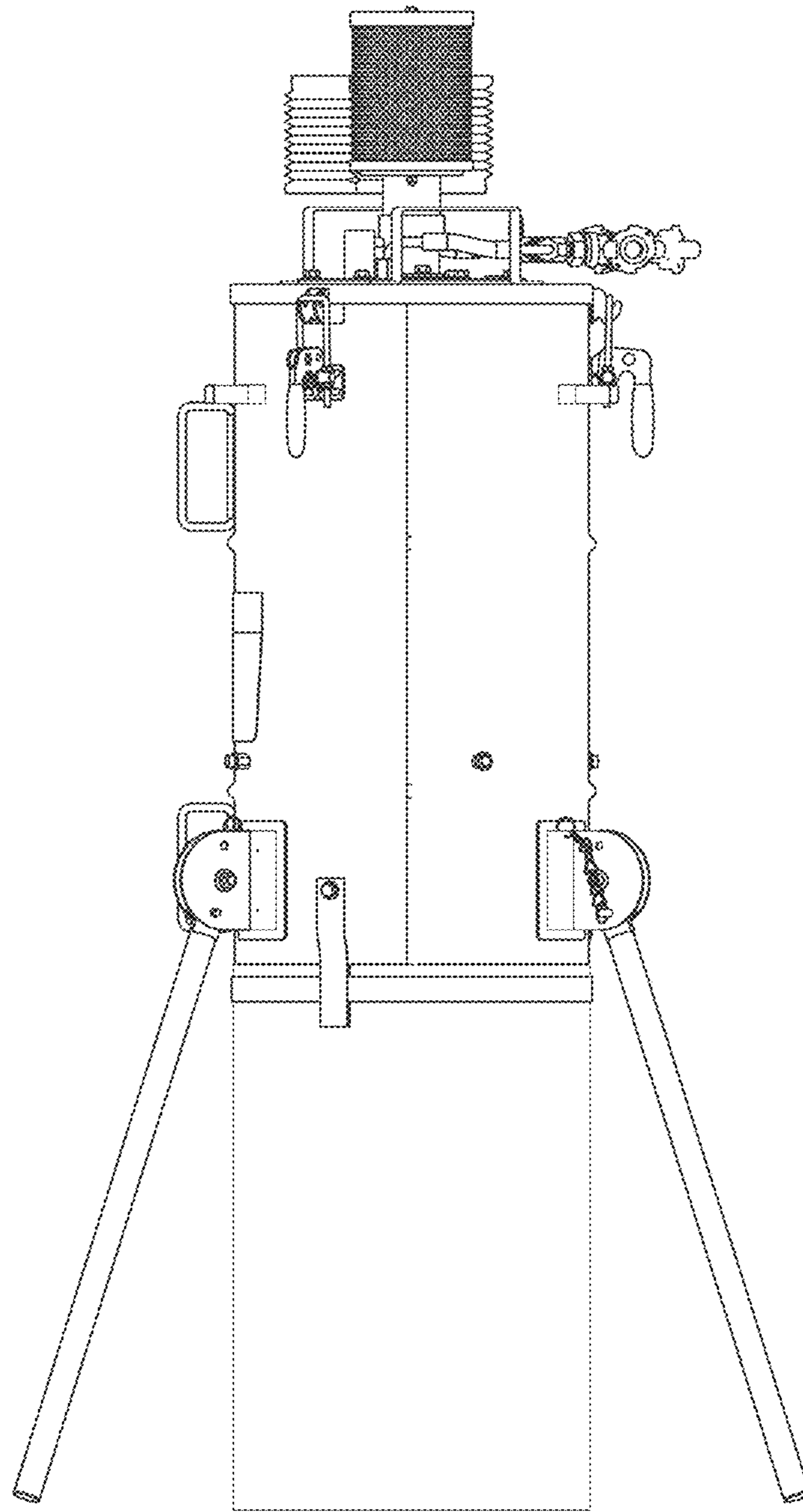


Fig. 5

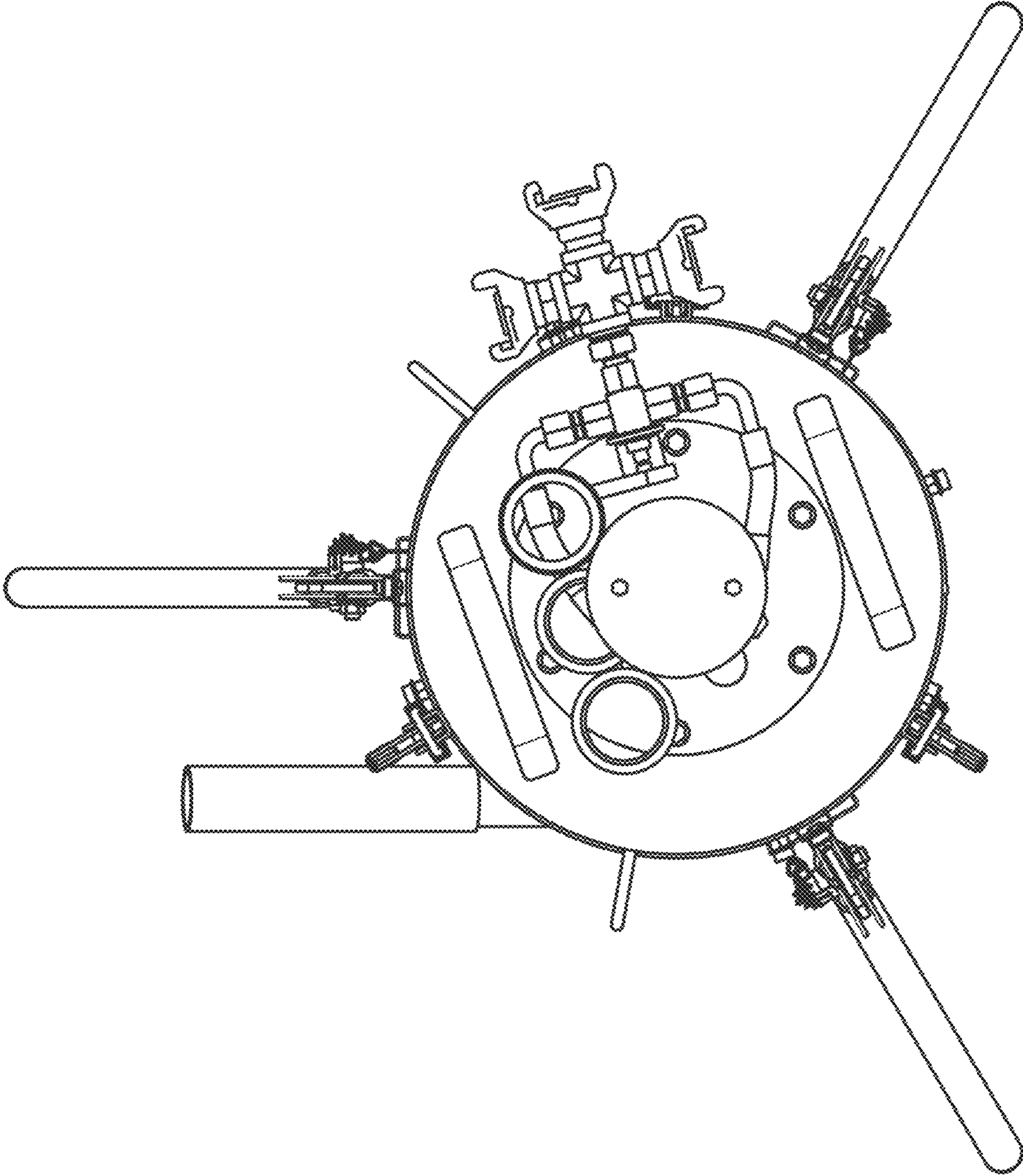


Fig. 6