



US00D965930S

(12) **United States Design Patent**
Zhang et al.

(10) **Patent No.:** **US D965,930 S**
(45) **Date of Patent:** **** Oct. 4, 2022**

(54) **MAIN UNIT FOR VACUUM CLEANER**
(71) Applicant: **BEIJING XIAOMI MOBILE SOFTWARE CO., LTD.,** Beijing (CN)
(72) Inventors: **Lei Zhang,** Beijing (CN); **Yuan Gao,** Beijing (CN); **Xiaoye Xie,** Beijing (CN)
(73) Assignee: **BEIJING XIAOMI MOBILE SOFTWARE CO., LTD.,** Beijing (CN)

D915,697 S * 4/2021 Kim B01D 46/62 D32/18
D927,103 S * 8/2021 Zou D32/18
D927,110 S * 8/2021 Ma D32/18
D929,685 S * 8/2021 Choi D32/18
D929,686 S * 8/2021 Uim D32/18
D932,122 S * 9/2021 Xu D32/18
D936,311 S * 11/2021 Liu D32/18
D940,413 S * 1/2022 Zou D32/18
D941,539 S * 1/2022 Crawley D32/18
D943,229 S * 2/2022 Pang D32/18
D943,847 S * 2/2022 Tan D32/18
2017/0296958 A1* 10/2017 Nam A47L 9/1633

(**) Term: **15 Years**

* cited by examiner

(21) Appl. No.: **35/511,360**

Primary Examiner — Khawaja Anwar

(22) Filed: **Sep. 23, 2020**

(74) *Attorney, Agent, or Firm* — Amster, Rothstein & Ebenstein LLP

(80) **Hague Agreement Data**

Int. Filing Date: **Sep. 23, 2020**
Int. Reg. No.: **DM/212591**
Int. Reg. Date: **Sep. 23, 2020**
Int. Reg. Pub. Date: **Feb. 12, 2021**

(57) **CLAIM**

The ornamental design for a main unit for vacuum cleaner, as shown and described.

(30) **Foreign Application Priority Data**

Mar. 26, 2020 (CN) 202030108073.9

(51) **LOC (13) Cl.** **32-03**

(52) **U.S. Cl.**
USPC **D32/18**

(58) **Field of Classification Search**
USPC D32/17-25, 31-34
CPC .. A47L 11/24; A47L 11/4005; A47L 11/4066;
A47L 2201/00; A47L 9/009
See application file for complete search history.

DESCRIPTION

FIG. 1.1 is a front elevation view of a main unit for vacuum cleaner of our new design;
FIG. 1.2 is a back elevation view thereof;
FIG. 1.3 is a left side elevation view thereof;
FIG. 1.4 is a right plan view thereof;
FIG. 1.5 is a top plan view thereof;
FIG. 1.6 is a bottom view thereof;
FIG. 1.7 is a perspective view thereof; and
FIG. 1.8 is a reference view showing a usage state of the main unit in a vacuum cleaner.

The main unit for vacuum cleaner can be used for a hand-held vacuum cleaner and can be combined with a vacuuming suite.

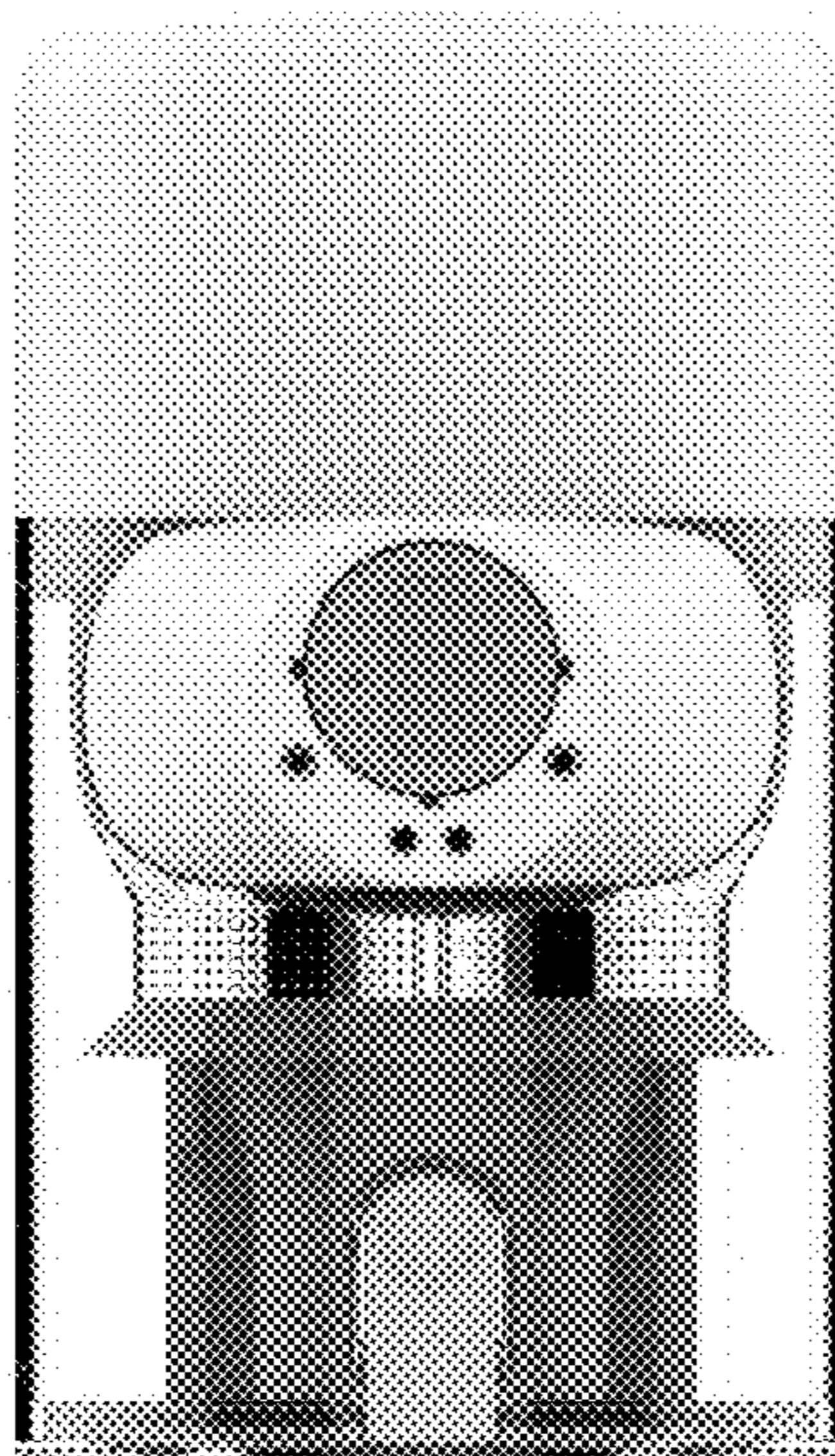
The portion inside the suction mouth of the main unit for vacuum cleaner shown by coloring in FIG. 1.1 forms no part of the claimed design.

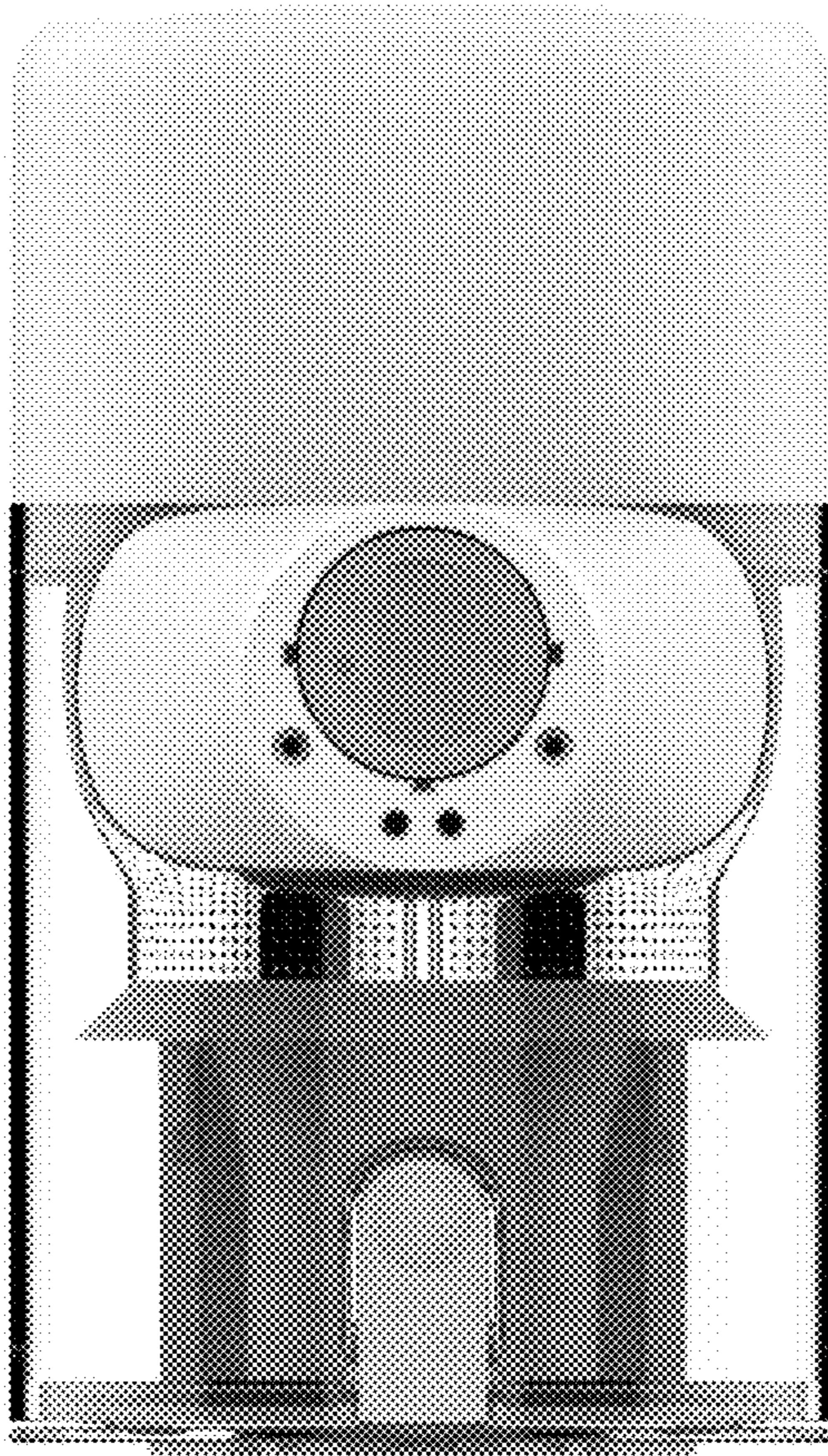
(56) **References Cited**

U.S. PATENT DOCUMENTS

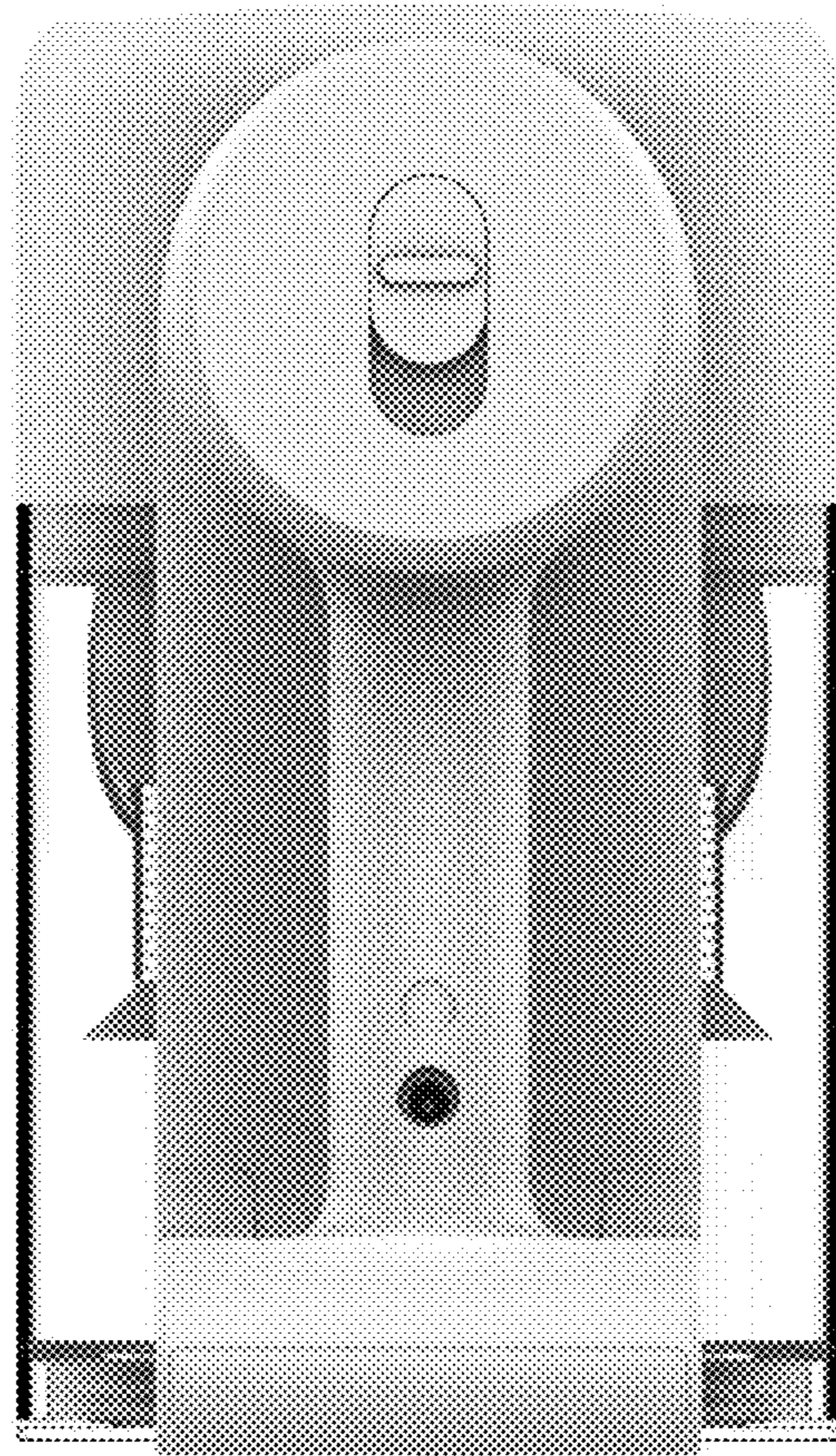
D826,493 S * 8/2018 Nam D32/18
D874,758 S * 2/2020 Schroeter D32/18

1 Claim, 6 Drawing Sheets

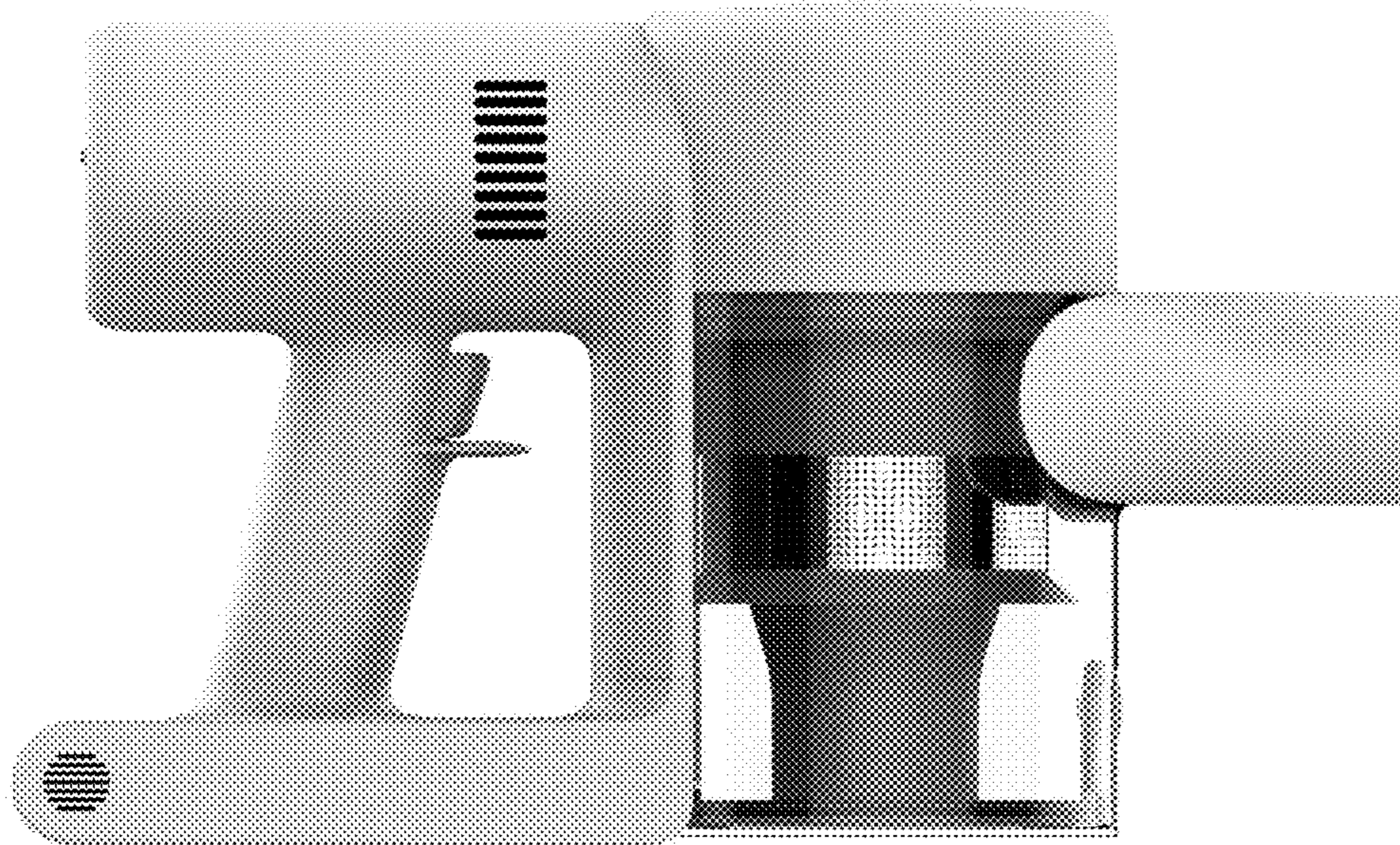




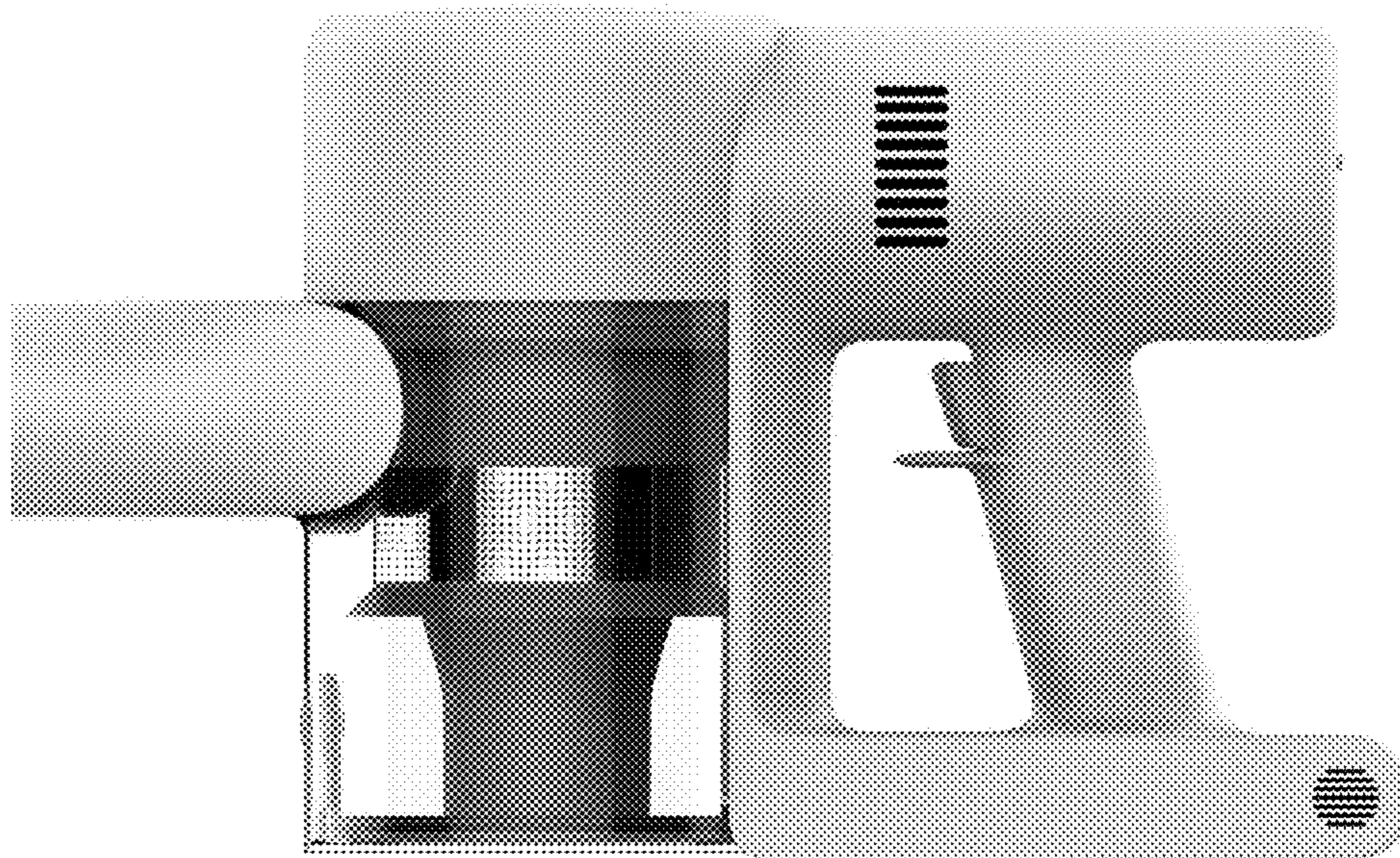
1.1



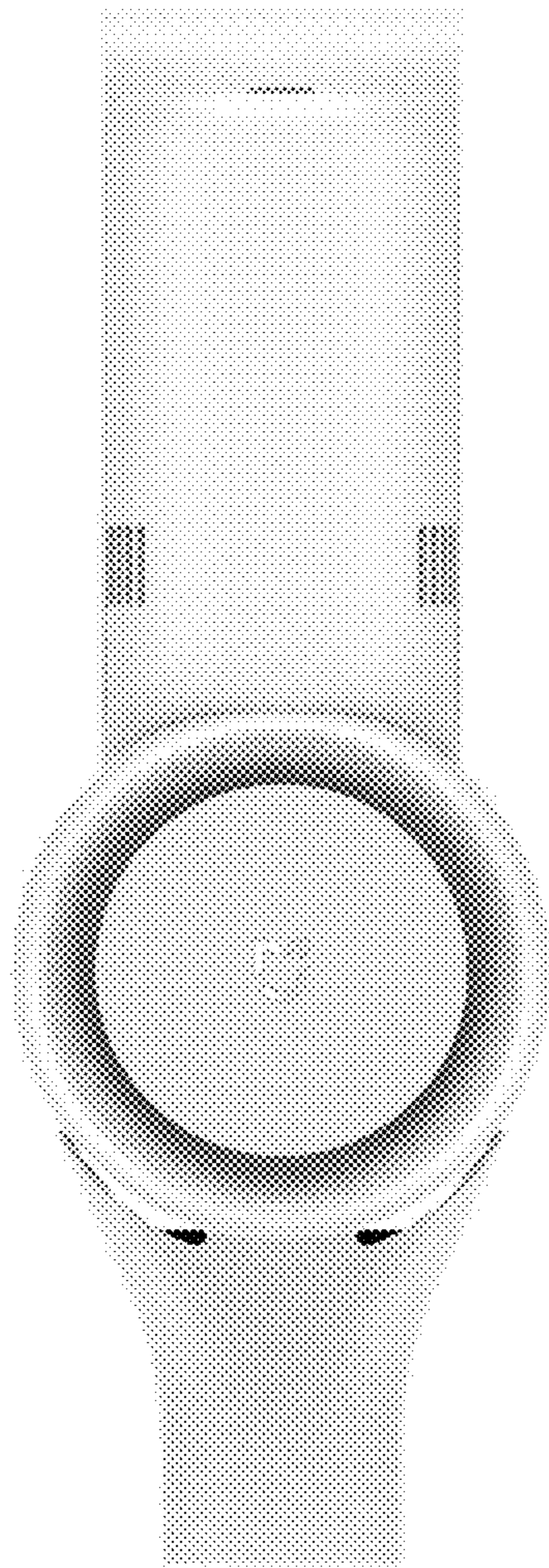
1.2



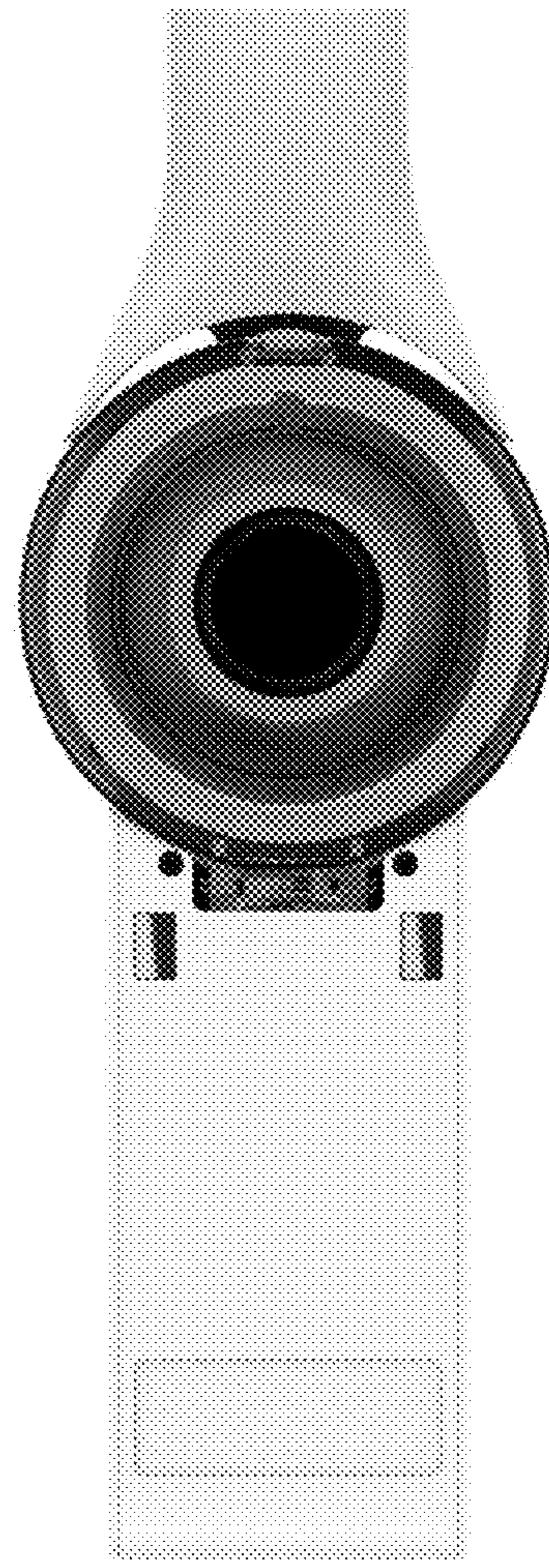
1.3



1.4



1.5



1.6



1.7



1.8