



US00D965929S

(12) **United States Design Patent** (10) **Patent No.:** **US D965,929 S**
He (45) **Date of Patent:** **** Oct. 4, 2022**

(54) **VEHICLE VACUUM CLEANER**

- (71) Applicants: **HDT(SZ) CO., LTD**, Shenzhen (CN);
Fanghua He, Shenzhen (CN)
- (72) Inventor: **Fanghua He**, Shenzhen (CN)
- (**) Term: **15 Years**
- (21) Appl. No.: **29/764,806**
- (22) Filed: **Jan. 4, 2021**
- (51) **LOC (13) Cl.** **15-05**
- (52) **U.S. Cl.**
USPC **D32/18**
- (58) **Field of Classification Search**
USPC D32/15, 17-24, 31-34
CPC A47L 5/24; A47L 7/0076; A47L 11/04;
A47L 11/22; A47L 5/28; A47L 9/106;
A47L 11/30; A47L 11/4005; B04C 5/185;
E04H 4/1636
See application file for complete search history.

(56) **References Cited**

U.S. PATENT DOCUMENTS

D280,142 S *	8/1985	Pudwill	D32/18
D459,560 S *	6/2002	Lau	D32/18
D564,151 S *	3/2008	Fjellman	D32/18
D564,153 S *	3/2008	Fjellman	D32/18
D749,281 S *	2/2016	Jeon	D32/18
D806,331 S *	12/2017	Chu	D32/18
D851,342 S *	6/2019	Tu	D32/18
D855,908 S *	8/2019	Tu	D32/18
D863,700 S *	10/2019	Tang	D32/18
D869,794 S *	12/2019	Zhou	D32/18
D891,013 S *	7/2020	Lin	D32/18
D925,146 S *	7/2021	Liu	D32/18
D936,312 S *	11/2021	Liu	D32/18

FOREIGN PATENT DOCUMENTS

SG 2007812E-0001 * 9/2007

OTHER PUBLICATIONS

- Farsaw Portable Cordless Handheld Vacuum Cleaner (on-line), reviewed Apr. 16, 2021. Retrieved from Internet Apr. 15, 2022, URL: <https://www.wayfair.com/appliances/pdp/farsaw-portable-cordless-handheld-vacuum-cleaner-fbsa1025.html> (2 pages) (Year: 2021).*
- HDT X02 Mini vacuum cleaner (on-line), no date available. Retrieved from Internet Apr. 19, 2022, URL: <http://www.hdthk.com/en/productshow.asp?ArticleID=125> (1 page).*
- Ionvac Cordless Vacuum—Lightweight Handheld (on-line), reviewed Aug. 11, 2020. Retrieved from Internet Apr. 15, 2022, URL: <https://www.walmart.com/ip/ionvac-Cordless-Vacuum-Lightweight-Handheld-Cordless-Vacuum-Cleaner-USB-Charging-Multi-Surface-Red/392537749> (2 pages) (Year: 2020).*

* cited by examiner

Primary Examiner — Kimberly Barnes

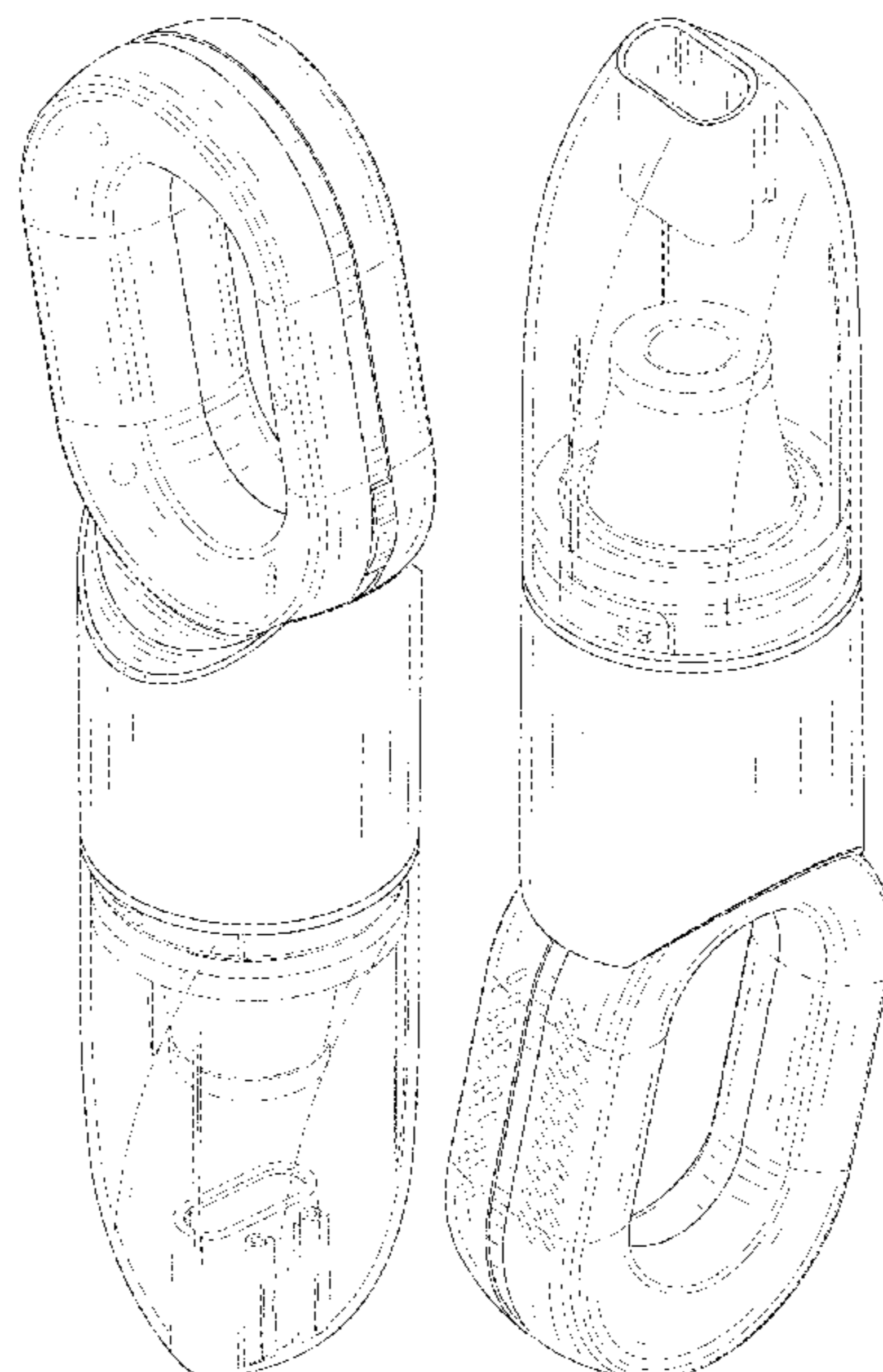
(57) **CLAIM**

The ornamental design for a vehicle vacuum cleaner, as shown and described.

DESCRIPTION

FIG. 1 is a front and top perspective view of a vehicle vacuum cleaner, showing my new design;
 FIG. 2 is a rear and bottom perspective view thereof;
 FIG. 3 is a front elevation view thereof;
 FIG. 4 is a rear elevation view thereof;
 FIG. 5 is a left side elevation view thereof;
 FIG. 6 is a right side elevation view thereof;
 FIG. 7 is a top plan view thereof; and,
 FIG. 8 is a bottom plan view thereof.
 The broken lines in the figures illustrate portions of the vehicle vacuum cleaner that form no part of the claimed design.

1 Claim, 8 Drawing Sheets



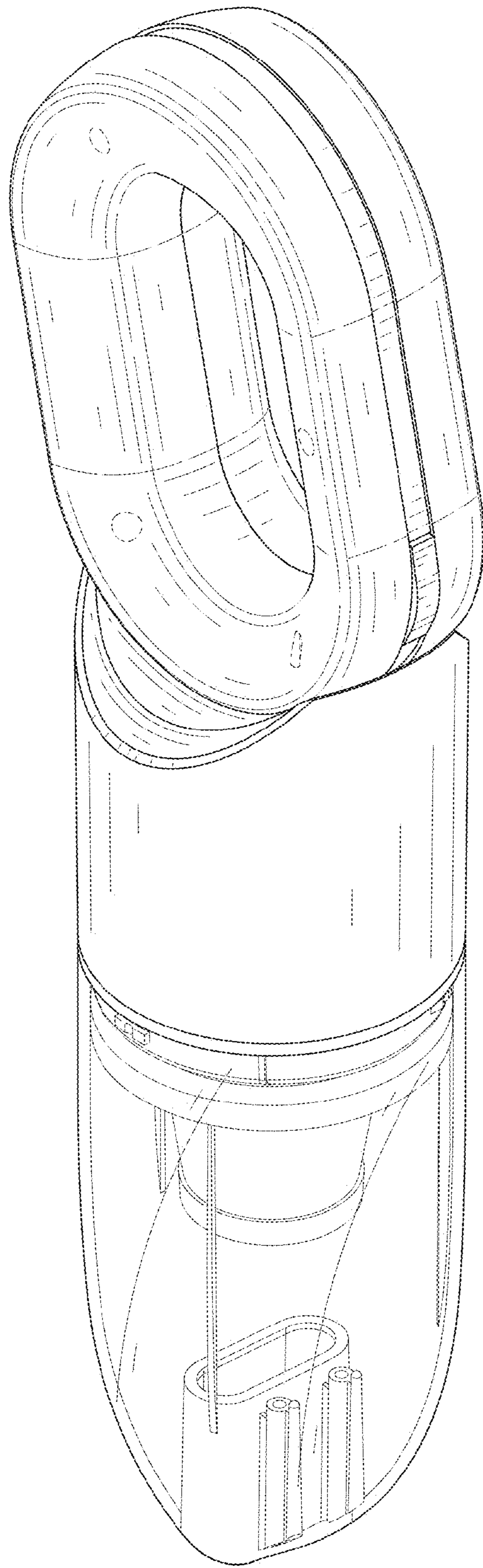


FIG. 1

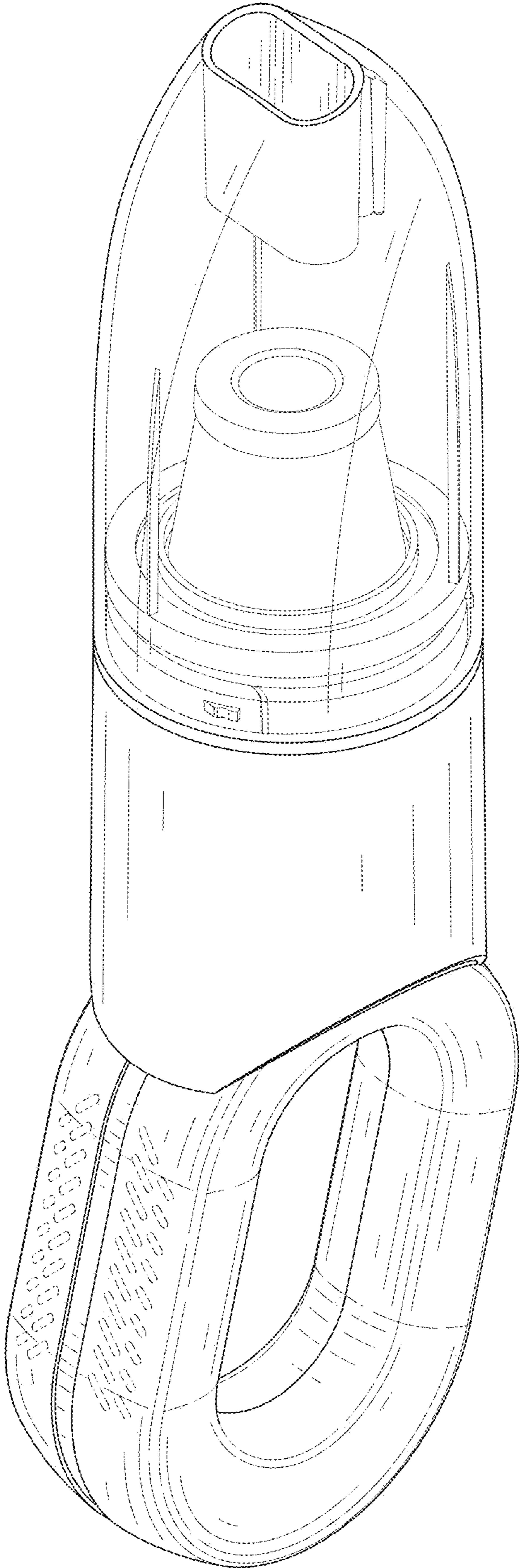


FIG. 2

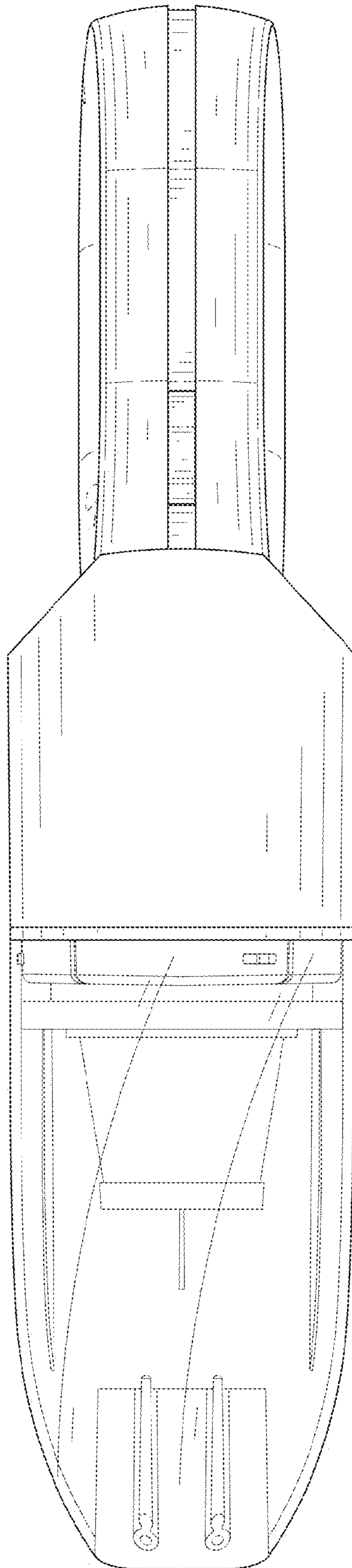


FIG. 3

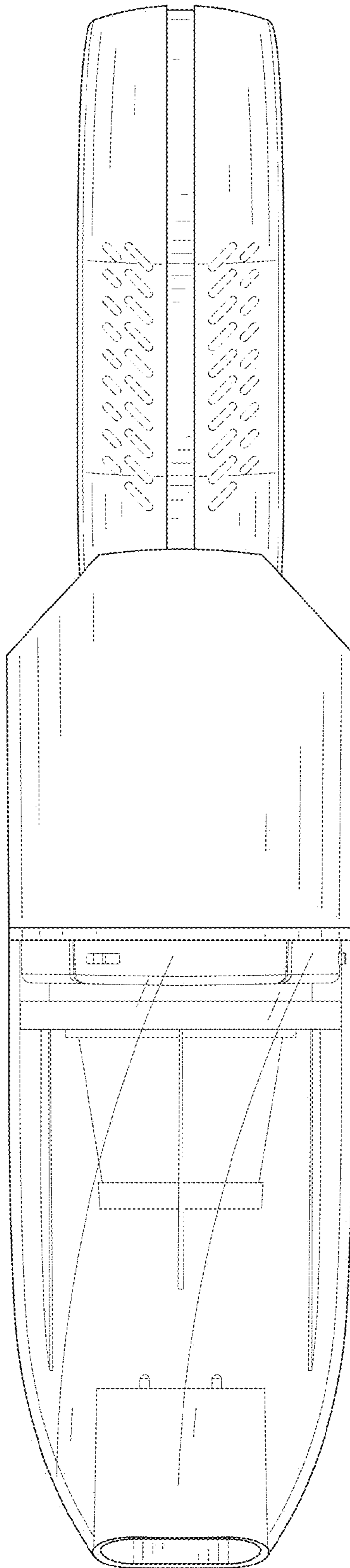


FIG. 4

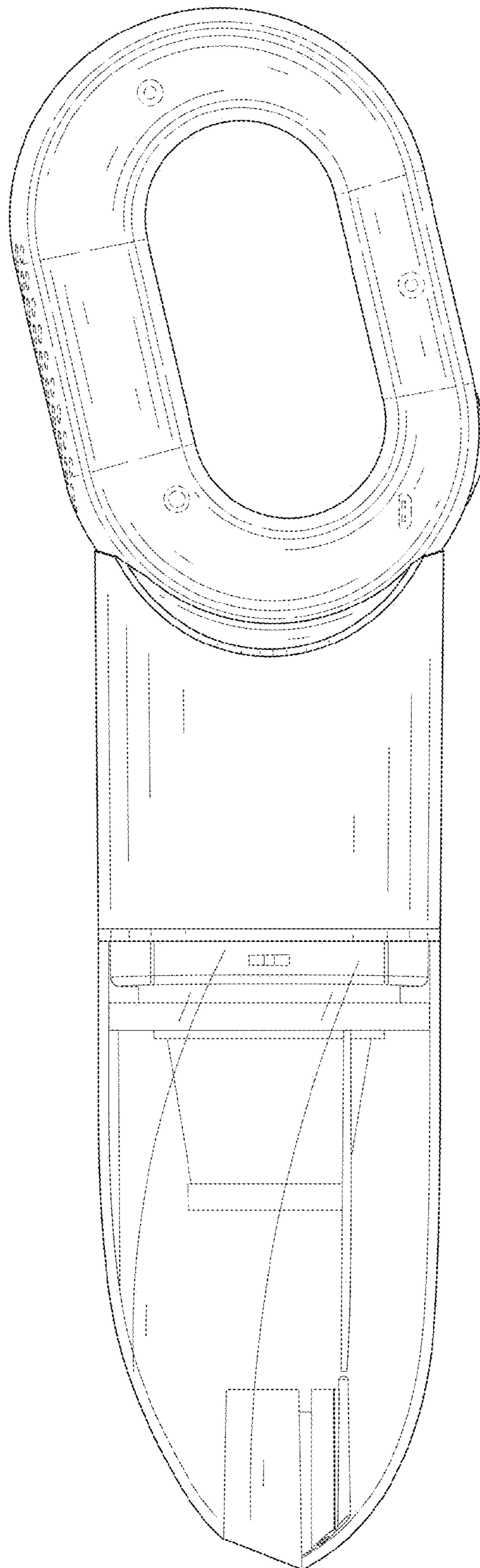


FIG. 5

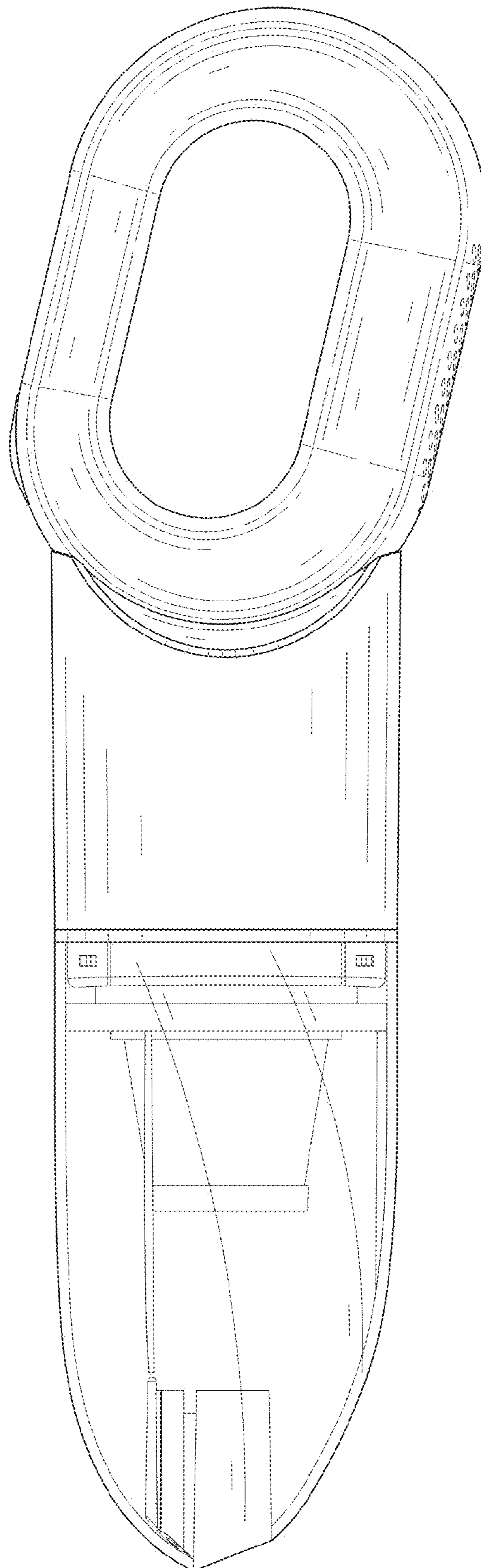


FIG. 6

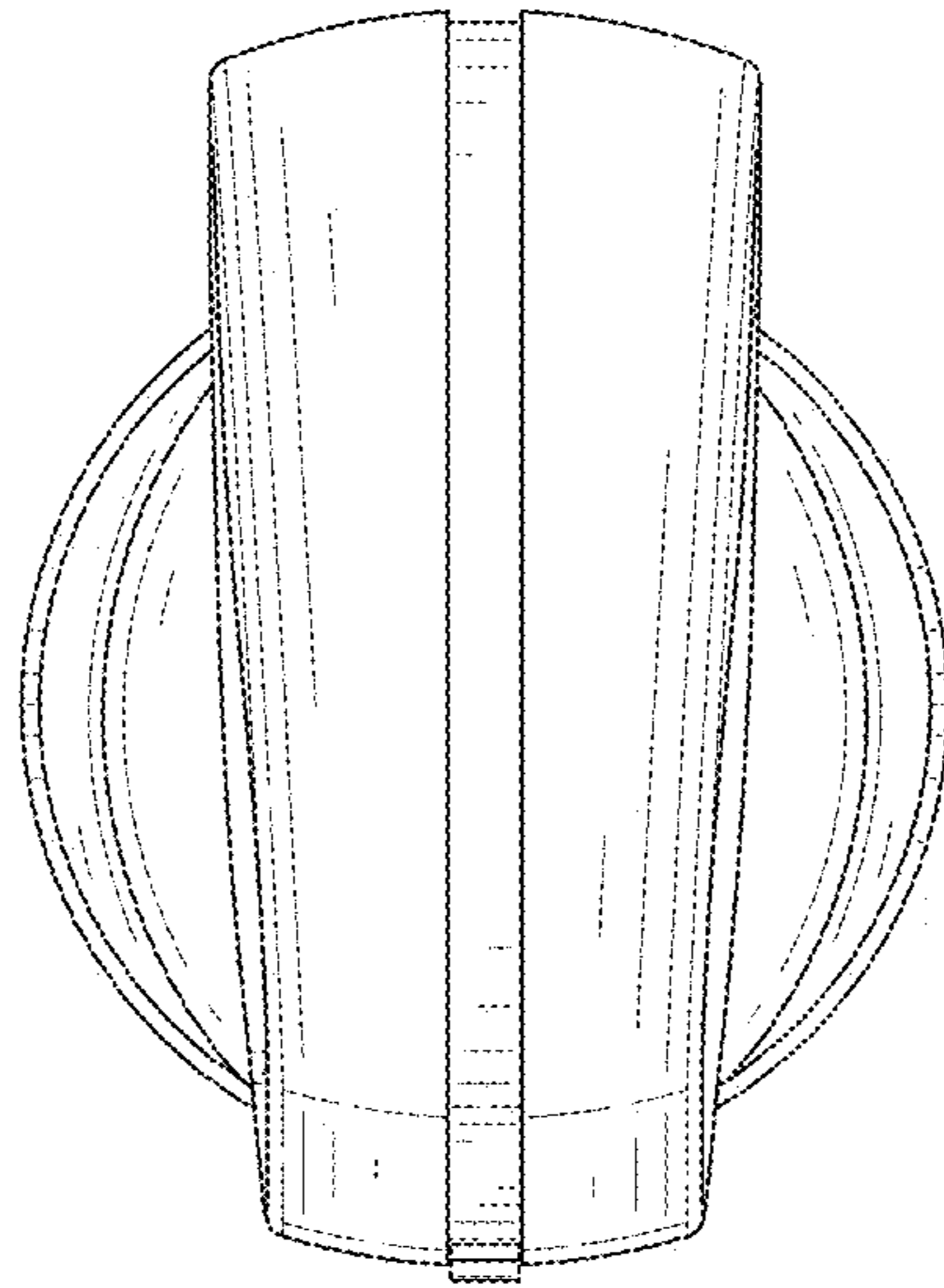


FIG. 7

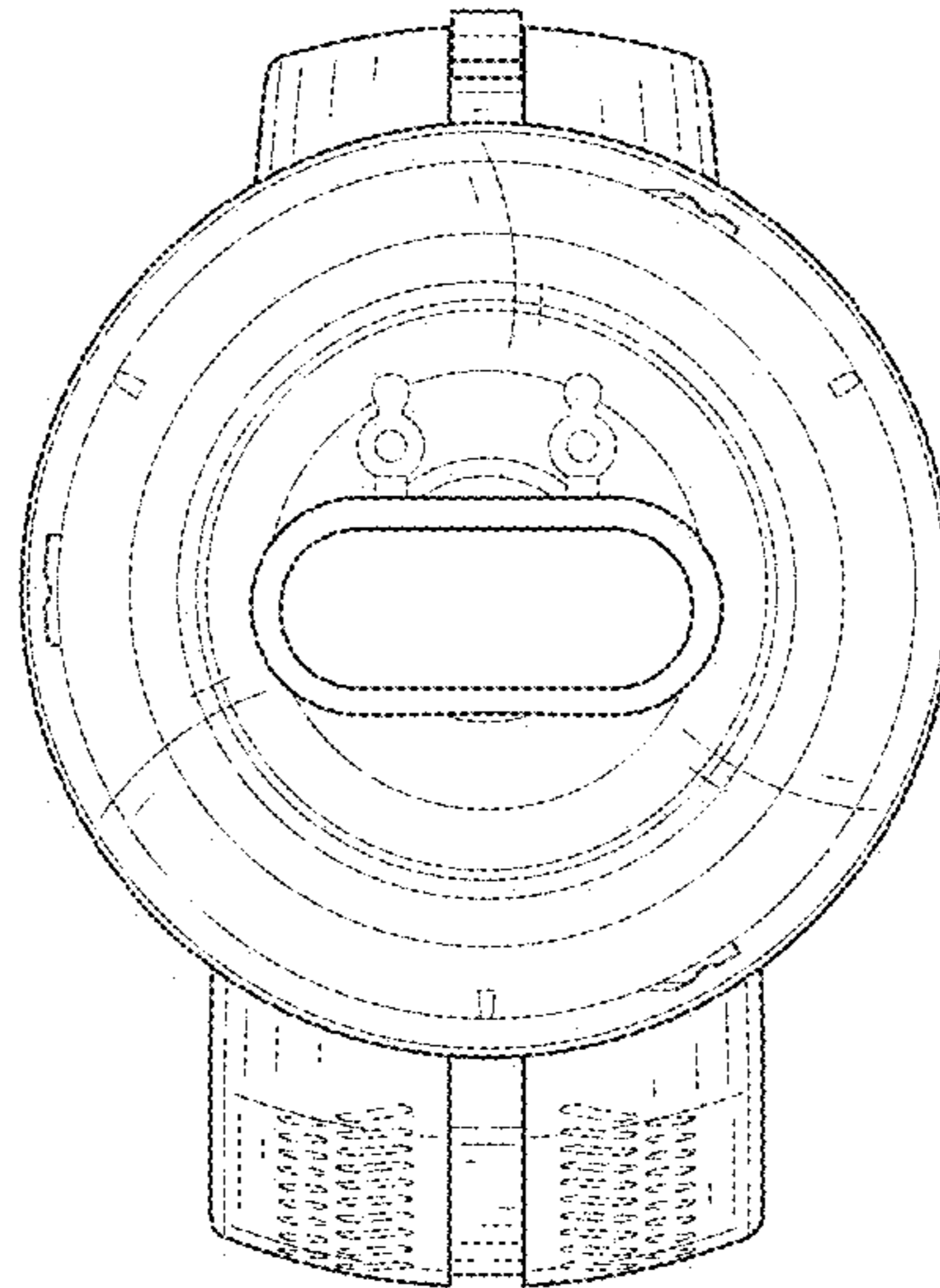


FIG. 8